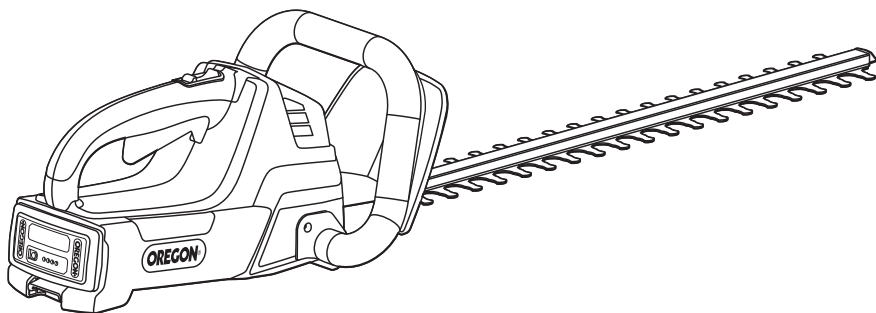




Cordless Tool System



**ORIGINAL INSTRUCTION MANUAL
HEDGE TRIMMER MODEL HT255**

**MANUEL D'INSTRUCTIONS
ORIGINAL
TAILLE-HAIE MODÈLE HT255**

**ORIGINAL-
BEDIENUNGSANLEITUNG
HECKENSCHERE MODELL HT255**

**BRUKSANVISNING
HÄCKSAX MODELL HT255**

**ОРИГИНАЛЬНАЯ ИНСТРУКЦИЯ ПО
ЭКСПЛУАТАЦИИ
ЭЛЕКТРИЧЕСКИХ САДОВЫХ
НОЖНИЦ HT255**

**NÁVOD K POUŽITÍ
ELEKTRICKÉ PLOTOVÉ NŮŽKY
MODEL HT255**

**ORIGINAL BRUGSANVISNING
HÆKKEKLIPPER MODEL HT255**

**ΠΡΩΤΟΤΥΠΟ ΕΓΧΕΙΡΙΔΙΟ ΟΔΗΓΙΩΝ
ΦΑΛΙΔΙ ΜΠΟΡΝΤΟΥΡΑΣ ΘΑΜΝΩΝ
MONTELO HT255**

**MANUAL DE INSTRUCCIONES
ORIGINAL
CORTASETOS MODELO HT255**

**ALKUPERÄINEN KÄYTTÖOPAS
PENSASLEIKKURI, MALLI HT255**

**MANUALE DI ISTRUZIONI
ORIGINALE
TAGLIASIEPI MODELLO HT255**

**ORIGINELE GEBRUIKSAANWIJZING
ELEKTRISCHE HEGGENSCHAAR
MODEL HT255**

**ORIGINAL INSTRUKSJONS MANUAL
HEKKSAXS MODELL HT255**

**INSTRUKCJA ORYGINALNA
PRZYCINARKA DO ŻYWOPLÓTÓW,
MODEL HT255**

**MANUAL DE INSTRUÇÕES
ORIGINAL
DO PODADOR/BORDEADOR
MODELO HT255**

**MANUAL DE INSTRUCȚIUNI
ORIGINAL
FOARFECE DE GRĂDINĂ
MODEL HT255**

**ORIGINÁLNY NÁVOD NA POUŽITIE
KROVINOREZU MODELU HT255**

**ІНСТРУКЦІЯ З ЕКСПЛУАТАЦІЇ
ШПАЛЕРНІ НОЖИЦІ МОДЕЛЬ HT255**



ENGLISH 4

⚠ WARNING: READ AND UNDERSTAND ALL SAFETY WARNINGS AND ALL INSTRUCTIONS. FAILURE TO FOLLOW THE WARNINGS AND INSTRUCTIONS MAY RESULT IN ELECTRIC SHOCK, FIRE AND/OR SERIOUS INJURY. SAVE ALL WARNINGS AND INSTRUCTIONS FOR FUTURE REFERENCE.

FRANÇAIS 27

⚠ AVERTISSEMENT: LISEZ TOUS LES AVERTISSEMENTS DE SÉCURITÉ ET TOUTES LES INSTRUCTIONS. LE NON-RESPECT DES AVERTISSEMENTS DE SÉCURITÉ ET DES INSTRUCTIONS PEUT ENTRAÎNER UNE DÉCHARGE ÉLECTRIQUE, UN INCENDIE ET/OU DES BLESSURES GRAVES. CONSERVEZ L'ENSEMBLE DES AVERTISSEMENTS ET INSTRUCTIONS POUR RÉFÉRENCE ULTÉRIEURE.

DEUTSCH 50

⚠ WARNHINWEIS: ALLE SICHERHEITSWARNUNGEN UND ANWEISUNGEN LESEN. DIE NICHTBEFOLGUNG DER WARNUNGEN UND ANWEISUNGEN KANN ZU STROMSCHLAG, BRAND UND/ODER SCHWEREN VERLETZUNGEN FÜHREN. ALLE WARNHINWEISE UND ANWEISUNGEN FÜR ZUKÜNFTIGEN GEBRAUCH AUFBEWAHREN.

SVENSKA 73

⚠ VARNING: LÄS ALLA SÄKERHETSVARNINGAR OCH ANVISNINGAR. UNDERLÅTENHET ATT FÖLJA VARNINGARNA OCH ANVISNINGARNA KAN LEDA TILL ELEKTRISKA STÖTAR, ELDSVÅDA OCH/ELLER ALLVARLIG SKADA. SPARA ALLA VARNINGAR OCH ANVISNINGAR FÖR FRAMTIDA REFERENS.

РУССКИЙ 96

⚠ ПРЕДОСТЕРЕЖЕНИЕ. ВНИМАТЕЛЬНО ПРОЧИТИТЕ ВСЕ ПРЕДОСТЕРЕЖЕНИЯ И ИНСТРУКЦИИ ПО ТЕХНИКЕ БЕЗОПАСНОСТИ. НЕСООБЛЮДЕНИЕ ПРЕДОСТЕРЕЖЕНИЙ И ИНСТРУКЦИЙ МОЖЕТ ПОВЛЕЧЬ ЗА СОБОЙ ПОЛУЧЕНИЕ СЕРЬЕЗНЫХ ТРАВМ И/ИЛИ ПРИВЕСТИ К ПОЖАРУ. СОХРАНИТЕ ВСЕ ПРЕДОСТЕРЕЖЕНИЯ И ИНСТРУКЦИИ, ЧТОБЫ МОЖНО БЫЛО ВПОСЛЕДСТВИИ К НИМ ОБРАТИТЬСЯ.

ČEŠTINA 119

⚠ POZOR: VEŠKERÁ BEZPEČNOSTNÍ UPOZORNĚNÍ A POKYNY SI PROČTĚTE A UJISTĚTE SE, ŽE JSTE JIM POROZUMĚLI. NEDODRŽENÍ UPOZORNĚNÍ A POKYNŮ MŮŽE VĚST K ÚRAZU ELEKTRICKÝM PROUDEM, POŽÁRU A/ NEBO VÁŽNĚMU ÚRAZU. VEŠKERÁ UPOZORNĚNÍ A POKYNY SI USCHOVEJTE PRO NAHLÉDNUTÍ V BUDOUCNU.

DANSK 142

⚠ ADVARSEL: LÆS OG FORSTÅ ALLE SIKKERHEDSADVARSLER OG ALLE ANVISNINGER. MANGLENDE OVERHOLDELSE AF ADVARSLER OG ANVISNINGER KAN MEDFØRE ELEKTRISK STØD, BRAND OG/ELLER ALVORLIG PERSONSKADE. GEM ALLE ADVARSLER OG ANVISNINGER FOR FREMTIDIG REFERENCE.

ΕΛΛΗΝΙΚΑ 165

⚠ ΠΡΟΕΙΔΟΠΟΙΗΣΗ: ΔΙΑΒΑΣΤΕ ΚΑΙ ΚΑΤΑΝΟΗΣΤΕ ΟΛΕΣ ΤΙΣ ΠΡΟΕΙΔΟΠΟΙΗΣΕΙΣ ΑΣΦΑΛΕΙΑΣ ΚΑΙ ΟΛΕΣ ΤΙΣ ΟΔΗΓΙΕΣ. ΜΗ ΤΗΡΗΣΗ ΤΩΝ ΠΡΟΕΙΔΟΠΟΙΗΣΕΩΝ ΚΑΙ ΤΩΝ ΟΔΗΓΙΩΝ ΜΠΟΡΕΙ ΝΑ ΠΡΟΚΑΛΕΣΕΙ ΗΛΕΚΤΡΟΠΛΗΞΙΑ, ΠΥΡΚΑΓΙΑ ΚΑΙ/Η ΣΟΒΑΡΟ ΤΡΑΥΜΑΤΙΣΜΟ. ΚΡΑΤΗΣΤΕ ΟΛΕΣ ΤΙΣ ΠΡΟΕΙΔΟΠΟΙΗΣΕΙΣ ΚΑΙ ΟΔΗΓΙΕΣ ΓΙΑ ΜΕΛΛΟΝΤΙΚΗ ΑΝΑΦΟΡΑ.

ESPAÑOL 188

⚠ ADVERTENCIA: LEA TODAS LAS ADVERTENCIAS DE SEGURIDAD Y TODAS LAS INSTRUCCIONES. NO SEGUIR LAS ADVERTENCIAS Y LAS INSTRUCCIONES PUEDE PROVOCAR DESCARGAS ELÉCTRICAS, INCENDIOS Y/O LESIONES GRAVES. CONSERVE TODAS LAS ADVERTENCIAS E INSTRUCCIONES COMO REFERENCIA PARA EL FUTURO.

SUOMI 211

VAROITUS: LUE JA YMMÄRRÄ KAIKKI TURVALLISUUSVAROITUKSET JA OHJEET. VAROITUSTEN JA OHJEIDEN LAIMINLYÖNNISTÄ VOI SEURATA SÄHKÖISKU, TULIPALO JA/TAI VAKAVA LOUKKAANTUMINEN. SÄÄSTÄ KAIKKI VAROITUKSET JA OHJEET TULEVAAN KÄYTTÖÄ VARTEN.

ITALIANO 234

AVVERTENZA: LEGGERE LE NORME DI SICUREZZA E LE ISTRUZIONI. LA MANCATA OSSERVANZA DELLE NORME DI SICUREZZA E DELLE ISTRUZIONI D'USO POTREBBE COMPORARE SCOSSE ELETTRICHE, INCENDI E/O GRAVI LESIONI. CONSERVARE TUTTE LE ISTRUZIONI E LE NORME DI SICUREZZA PER RIFERIMENTO FUTURO.

NEDERLANDS 257

WAARSCHUWING: ZORG ERVOOR DAT U ALLE VEILIGHEIDSWAARSCHUWINGEN EN ALLE INSTRUCTIES GELEZEN EN BEGREPEN HEEFT. HET NIET OPVOLGEN VAN WAARSCHUWINGEN EN INSTRUCTIES KAN LEIDEN TOT EEN ELEKTRISCHE SCHOK, BRAND EN/OF ERNSTIG LETSEL. BEWAAR ALLE WAARSCHUWINGEN EN INSTRUCTIES OM DEZE IN DE TOEKOMST TE KUNNEN RAADPLEGEN.

NORSK 280

ADVARSEL: LES OG FORSTÅ ALLE SIKKERHETSADVARSLER OG ALLE INSTRUKSJONER. UNNLATELSE I Å FØLGE ADVARSLENE OG INSTRUKSJONENE KAN FØRE TIL ELEKTRISK STØT, BRANN OG/ELLER ALVORLIG SKADE. TA VARE PÅ ALLE ADVARSLER OG INSTRUKSJONER FOR FREMTIDIG REFERANSE.

POLSKI 303

OSTRZEŻENIE: PRZECZYTAJ ZE ZROZUMIENIEM WSZYSTKIE OSTRZEŻENIA BEZPIECZEŃSTWA I INSTRUKCJE. NIEPRZESTRZEGANIE OSTRZEŻEŃ I INSTRUKCJI MOŻE SPOWODOWAĆ PORAZENIE PRĄDEM, POŻAR I/LUB POWAŻNE OBRAŻENIA. ZACHOWAJ WSZYSTKIE OSTRZEŻENIA I INSTRUKCJE NA PRZYSZŁOŚĆ.

PORTUGUÊS 326

AVISO: LER E COMPREENDER TODOS OS AVISOS DE SEGURANÇA E TODAS AS INSTRUÇÕES. O INCUMPRIMENTO DESTES AVISOS E INSTRUÇÕES PODE CAUSAR CHOQUE ELÉCTRICO, INCÊNDIO E/OU LESÕES GRAVES. GUARDE TODOS OS AVISOS E INSTRUÇÕES PARA REFERÊNCIA FUTURA.

LIMBA ROMÂNĂ 349

ATENȚIE: CITIȚI ȘI ÎNTELEGEȚI ÎN ÎNTREGIME AVERTISMENTELE DE SIGURANȚĂ ȘI INSTRUCȚIUNILE. NERESPECTAREA AVERTISMENTELOR ȘI A INSTRUCȚIUNILOR POATE DUCE LA ELECTROCUTARE, INCENDIU ȘI/SAU ACCIDENTARE GRAVĂ. PĂSTRAȚI TOATE AVERTISMENTELE ȘI INSTRUCȚIUNILE PENTRU CONSULTARE ULTERIOARĂ.

SLOVENČINA 372

VAROVANIE: PREČÍTAJTE SI, A VEZMITE NA VEDOMIE VŠETKY BEZPEČNOSTNÉ VAROVANIA A POKYNY V PRÍPADE NEDODRŽIAVANIA VAROVANÍ A POKYNOV MÔŽE DÔJSŤ K ELEKTRICKÉMU ÚDERU, POŽIARU A/ ALEBO VÁŽNEMU ZRANENIU. ULOŽTE SI VŠETKY VAROVANIA A POKYNY PRE BUDÚCE POUŽITIE.
















УКРАЇНСЬКА 395

ПОПЕРЕДЖЕННЯ: ПРОЧИТАЙТЕ ТА ЗРОЗУМІЙТЕ ВСІ ПОПЕРЕДЖЕННЯ ЩОДО БЕЗПЕКИ, А ТАКОЖ ВСІ ІНСТРУКЦІЇ. НЕДОТРИМАННЯ ПОПЕРЕДЖЕНЬ ТА ІНСТРУКЦІЙ МОЖЕ ПРИЗВЕСТИ ДО УРАЖЕННЯ ЕЛЕКТРИЧНИМ СТРУМОМ, ПОЖЕЖИ ТА/АБО СЕРЬОЗНИХ ТРАВМ. ЗБЕРІГАЙТЕ ВСІ ПОПЕРЕДЖЕННЯ ТА ІНСТРУКЦІЇ, ЩОБ ЗВЕРТАТИСЯ ДО НИХ У МАЙБУТЬОМУ.

TABLE OF CONTENTS

SYMBOLS AND LABELS	5
SAFETY RULES	6
GENERAL POWER TOOL SAFETY WARNINGS.	6
WORK AREA SAFETY	6
ELECTRICAL SAFETY	6
PERSONAL SAFETY	7
POWER TOOL USE AND CARE	8
BATTERY TOOL USE AND CARE	8
SERVICE	8
HEDGE TRIMMER SAFETY WARNINGS	8
STORAGE, TRANSPORTING, AND DISPOSAL	9
CHARGER SAFETY	11
PRODUCT IDENTIFICATION	12
SPECIFICATIONS AND COMPONENTS	13
HEDGE TRIMMER NAMES AND TERMS	14
OPERATING THE HEDGE TRIMMER.	15
UNPACKING	15
BATTERY PACK AND CHARGER	15
GENERAL OPERATION	17
CUTTING HEDGES.	19
MAINTENANCE AND CLEANING	21
HEDGE TRIMMER.	21
BATTERY PACK	22
CHARGER.	22
TROUBLESHOOTING	23
WARRANTY AND SERVICE	25
EC - DECLARATION OF CONFORMITY	26
CUSTOMER SERVICE BY COUNTRY	418

SYMBOLS AND LABELS

SYMBOL	NAME	EXPLANATION
	CLASS II CONSTRUCTION	DESIGNATED DOUBLE INSULATED CONSTRUCTION TOOLS
	SAFETY ALERT SYMBOL	INDICATES THAT THE TEXT THAT FOLLOWS EXPLAINS A DANGER, WARNING, OR CAUTION.
	READ INSTRUCTIONS	THE ORIGINAL INSTRUCTION MANUAL CONTAINS IMPORTANT SAFETY AND OPERATING INFORMATION. READ AND FOLLOW THE INSTRUCTIONS CAREFULLY.
	WEAR EYE PROTECTION	WEAR EYE PROTECTION WHEN OPERATING THE HEDGE TRIMMER.
	WEAR HAND PROTECTION	WEAR GLOVES WHEN OPERATING THE HEDGE TRIMMER AND WHEN HANDLING THE CUTTING BLADES.
	SOUND POWER	SOUND POWER LEVEL IS 74 DB.
	TWO-HANDED HOLD	HOLD HEDGE TRIMMER WITH BOTH HANDS.
	ONE-HANDED HOLD	DO NOT HOLD HEDGE TRIMMER WITH ONE HAND.
	DO NOT INCINERATE	DO NOT DISPOSE IN FLAMES.
	DO NOT DISPOSE	DO NOT THROW IN THE HOUSEHOLD WASTE. TAKE TO AN AUTHORISED RECYCLER.
	DO NOT EXPOSE TO RAIN	DO NOT OPERATE THE CHARGER IN WET CONDITIONS.
	INDOOR USE ONLY	INTENDED FOR INDOOR USE ONLY.
	INSPECT POWER SUPPLY	INSPECT THE CHARGER POWER SUPPLY AND CORD REGULARLY FOR DAMAGE.
	OPERATING TEMPERATURE	ONLY USE THE BATTERY PACK AT A TEMPERATURE BETWEEN 0°C AND 40°C (32°F TO 104°F).
	CUTTING TOOL	CUTTING TOOL. DO NOT TOUCH THE CUTTING BLADES WITHOUT FIRST DEACTIVATING THE HEDGE TRIMMER BY REMOVING THE BATTERY PACK.

INTRODUCTION

This hedge trimmer is designed for regular maintenance and trimming. It is not designed to cut branches greater than 19 mm (¾ inch) in diameter. Other uses may cause injury and are not allowed.

SAFETY RULES

GENERAL POWER TOOL SAFETY WARNINGS

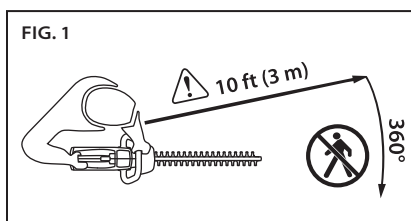
⚠ WARNING: READ AND UNDERSTAND ALL SAFETY WARNINGS AND ALL INSTRUCTIONS. FAILURE TO FOLLOW THE WARNINGS AND INSTRUCTIONS MAY RESULT IN ELECTRIC SHOCK, FIRE AND/OR SERIOUS INJURY.



SAVE ALL WARNINGS AND INSTRUCTIONS FOR FUTURE REFERENCE. THE TERM "POWER TOOL" IN THE WARNINGS REFERS TO YOUR MAINS-OPERATED (CORDED) POWER TOOL OR BATTERY OPERATED (CORDLESS) POWER TOOL.

WORK AREA SAFETY

- Keep work area clean and well lit. *Cluttered or dark areas invite accidents.*
- Do not operate power tools in explosive atmospheres, such as in the presence of flammable liquids, gases or dust. *Power tools create sparks which may ignite the dust or fumes.*
- Keep children and bystanders away while operating a power tool (Fig. 1). *Distractions can cause you to lose control.*



⚠ CAUTION: ESTABLISH A BYSTANDER SAFETY ZONE OF 3 M (10 FT) PRIOR TO OPERATION OF THIS EQUIPMENT. *Bystander safety zone is a 3 m (10 ft) circle around the operator that must remain free from bystanders, children, and pets.*

ELECTRICAL SAFETY

- Power tool plugs must match the outlet. Never modify the plug in any way. Do not use any adapter plugs with earthed (grounded) power tools. *Unmodified plugs and matching outlets will reduce risk of electric shock.*
- Avoid body contact with earthed or grounded surfaces, such as pipes, radiators, ranges and refrigerators. *There is an increased risk of electric shock if your body is earthed or grounded.*
- Do not expose power tools to rain or wet conditions. *Water entering a power tool will increase the risk of electric shock.*
- Do not abuse the cord. Never use the cord for carrying, pulling or unplugging the power tool. Keep cord away from heat, oil, sharp edges or moving parts. *Damaged or entangled cords increase the risk of electric shock.*
- When operating a power tool outdoors, use an extension cord suitable for outdoor use. *Use of a cord suitable for outdoor use reduces the risk of electric shock.*

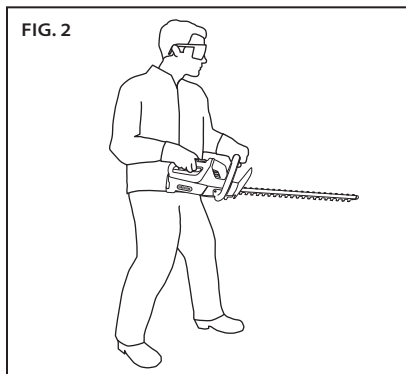
- If operating a power tool in a damp location is unavoidable, use a residual current device (RCD) protected supply or ground fault circuit interrupter (GFCI). Use of a RCD (GFCI) reduces the risk of electric shock.
- Remove plug from the mains immediately if the cable is damaged or cut.

PERSONAL SAFETY



- Stay alert, watch what you are doing and use common sense when operating a power tool. Do not use a power tool while you are tired or under the influence of drugs, alcohol or medication. A moment of inattention while operating power tools may result in serious personal injury.
- Use personal protective equipment. Always wear eye protection. Protective equipment such as dust mask, non-skid safety shoes, hard hat, or hearing protection used for appropriate conditions will reduce personal injuries.
- Prevent unintentional starting. Ensure the switch is in the off-position before connecting to power source and/or battery pack, picking up or carrying the tool. Carrying power tools with your finger on the switch or energising power tools that have the switch on invites accidents.
- Remove any adjusting key or wrench before turning the power tool on. A wrench or a key left attached to a rotating part of the power tool may result in personal injury.

- Do not overreach. Keep proper footing and balance at all times (Fig. 2). This enables better control of the power tool in unexpected situations.



- Dress properly. Do not wear loose clothing or jewellery. Keep your hair, clothing and gloves away from moving parts. Loose clothes, jewellery or long hair can be caught in moving parts.
- If devices are provided for the connection of dust extraction and collection facilities, ensure these are connected and properly used. Use of dust collection can reduce dust-related hazards.
- Prolonged use of power tools has been reported to cause vascular, muscular, or neurological disorders (such as vibration white finger or Raynaud's syndrome). To reduce the risk of injury, follow these instructions:
 - Wear gloves and keep hands and body warm.
 - Maintain a firm grip on the hedge trimmer, but do not use prolonged, excessive pressure.
 - Take frequent breaks.

The vibration in normal use can differ from the stated values depending on the material being cut, maintenance of the cutting system, and other factors.

POWER TOOL USE AND CARE

- **Do not force the power tool. Use the correct power tool for your application.**
The correct power tool will do the job better and safer at the rate for which it was designed.
- **Do not use the power tool if the switch does not turn it on and off.**
Any power tool that cannot be controlled with the switch is dangerous and must be repaired.
- **Disconnect the plug from the power source and/or the battery pack from the power tool before making any adjustments, changing accessories, or storing power tools.**
Such preventive safety measures reduce the risk of starting the power tool accidentally.



- **Store idle power tools out of the reach of children and do not allow persons unfamiliar with the power tool or these instructions to operate the power tool.**
Power tools are dangerous in the hands of untrained users.
- **Maintain power tools. Check for misalignment or binding of moving parts, breakage of parts and any other condition that may affect the power tool's operation. If damaged, have the power tool repaired before use.**
Many accidents are caused by poorly maintained power tools.
- **Keep cutting tools sharp and clean.**
Properly maintained cutting tools with sharp cutting edges are less likely to bind and are easier to control.
- **Use the power tool, accessories and tool bits etc. in accordance with these instructions, taking into account the working conditions and the work to be performed. Use of the power tool for operations different from those intended could result in a hazardous situation.**

BATTERY TOOL USE AND CARE

- **Recharge only with the charger specified by the manufacturer.**
A charger that is suitable for one type of battery pack may create a risk of fire when used with another battery pack.
- **Use power tools only with specifically designated battery packs.**
Use of any other battery packs may create a risk of injury and fire.
- **When battery pack is not in use, keep it away from other metal objects, like paper clips, coins, keys, nails, screws or other small metal objects, that can make a connection from one terminal to another. Shorting the battery terminals together may cause burns or a fire.**
- **Under abusive conditions, liquid may be ejected from the battery; avoid contact.**
If contact accidentally occurs, flush with water. If liquid contacts eyes, additionally seek medical help. Liquid ejected from the battery may cause irritation or burns.

SERVICE

Have your power tool serviced by a qualified repair person using only identical replacement parts. This will ensure that the safety of the power tool is maintained.

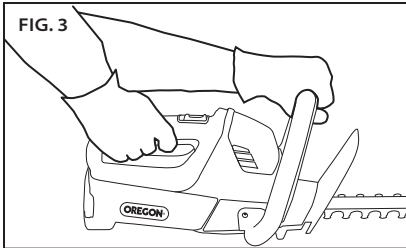
HEDGE TRIMMER SAFETY WARNINGS



⚠ DANGER: KEEP HANDS AWAY FROM BLADE. CONTACT WITH BLADE WILL RESULT IN SERIOUS PERSONAL INJURY.

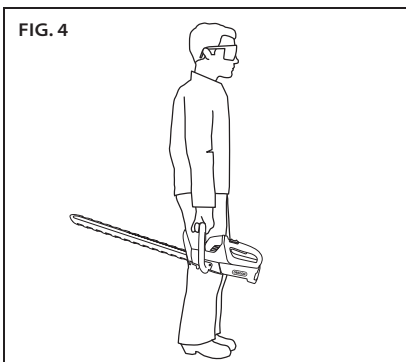
▲ WARNING: ONLY USE WITH HANDLE AND HAND GUARD PROPERLY ASSEMBLED TO HEDGE TRIMMER. THE USE OF THE HEDGE TRIMMER WITHOUT THE PROPER GUARD OR HANDLE PROVIDED MAY RESULT IN SERIOUS PERSONAL INJURY.

- Use both hands when operating the hedge trimmer. Using one hand could cause loss of control and result in serious personal injury (Fig. 3).



- Keep all parts of the body away from the cutter blade. Do not remove cut material or hold material to be cut when blades are moving. Make sure the switch is off when clearing jammed material. Blades coast after turn off. *A moment of inattention while operating the hedge trimmer may result in serious personal injury.*

- Carry the hedge trimmer by the handle with the cutter blade stopped (Fig. 4). *When transporting or storing the hedge trimmer, always attach the cutting device cover. Proper handling of the hedge trimmer will reduce possible personal injury from the cutter blades.*



- Hold the power tool by insulated gripping surfaces only, because the cutter blade may contact hidden wiring or its own cord. *Cutter blades contacting a "live" wire may make exposed metal parts of the power tool "live" and could give the operator an electric shock.*
- The hedge trimmer has no user serviceable parts. *Blade replacement, service, and repair work requires special training. See "Service and support information" for contact information.*

STORAGE, TRANSPORTING, AND DISPOSAL

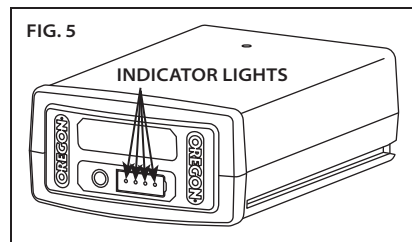
STORING THE HEDGE TRIMMER

- Apply lubricant to the cutting blades. See "Maintenance and Cleaning" for more information.
- Remove the battery pack from the hedge trimmer.
- Clean the hedge trimmer thoroughly.
- Install the blade cover.
- Store in a dry place.
- Keep out of reach of children or pets.

STORING THE BATTERY PACK

When storing the battery pack longer than nine months, follow these guidelines:

- Remove the battery pack from the hedge trimmer or charger.
- Store in a cool, dry place.
- Keep out of reach of children or pets.
- To prolong battery life, never store battery pack in a completely discharged condition. (Fig. 5).



- Store at a temperature between -20°C and 30°C (-4°F to 86°F).



STORING THE CHARGER

- Remove battery pack from the charger.
- Disconnect charger from power source.
- Store in a dry place.
- Keep out of reach of children or pets.

See "Maintenance and Cleaning" for more information.

TRANSPORTING THE HEDGE TRIMMER

Prepare the hedge trimmer as described in "Storing the hedge trimmer" before shipping.

TRANSPORTING THE BATTERY PACK

Observe respective national regulations when shipping lithium ion batteries, compulsory labeling may be required.

HEDGE TRIMMER AND CHARGER DISPOSAL

The OREGON® product is designed and manufactured with high quality materials and components which can be recycled and reused. Upon product end-of-life, and according to Directive 2002/95/EC, the electrical appliance should be disposed of separately from household waste. In the European Union there are separate collection systems for used electrical and electronic products. Please dispose of this equipment in an environmentally correct manner at a local community waste collection/recycling centre.

BATTERY PACK DISPOSAL

Do not dispose of battery pack in normal household waste. Do not incinerate battery pack. Local waste management and recycling agencies have information on proper disposal or recycling according to environmental regulations.



BATTERY SAFETY

⚠ DANGER: FAILURE TO FOLLOW THESE SAFETY RULES CAN CAUSE THE BATTERY PACK TO LEAK HAZARDOUS CHEMICALS, OVERHEAT, EMIT SMOKE, BURST, FLARE, EXPLODE, AND/OR IGNITE.

⚠ CAUTION: DO NOT DISPOSE OF THE BATTERY PACK IN THE HOUSEHOLD WASTE OR FIRE. LITHIUM ION BATTERY PACKS SHOULD BE RECYCLED BY A LOCAL AUTHORISED RECYCLER.

⚠ CAUTION: DO NOT EXPOSE BATTERY PACK TO EXCESSIVE HEAT, SUCH AS THE INTERIOR OF A VEHICLE IN HOT WEATHER. SUCH EXPOSURE CAN CAUSE A LOSS IN PERFORMANCE AND/OR SERVICE LIFE. DO NOT ATTEMPT TO RECHARGE A NON-RECHARGEABLE BATTERY PACK.

- Do not disassemble or modify the battery pack. This can damage safety features.
- Do not connect the positive (+) and negative (-) terminals with metal objects or store the battery pack with metal objects such as coins or screws. This can cause short-circuiting and generate enough heat to cause burns.
- Do not incinerate the battery pack or expose to excessive heat. This can melt insulation or damage safety features.

- Do not use, charge, or store near heat higher than 80°C (176°F). This can cause overheating and internal short-circuiting.
- Do not expose to extremely wet conditions. This can damage safety features, cause extremely high current and voltage charging, and lead to abnormal chemical reactions.
- Use only the charger specifically designed for the battery pack, and follow the safety precautions described in “Charger Safety”. Using another charger can damage safety features, cause extremely high current and voltage charging, and lead to abnormal chemical reactions.
- Do not use OREGON® branded battery packs in non-OREGON® branded tools.
- Do not strike, pierce, or throw the battery pack, and do not use a damaged or deformed battery pack.
- If recharging fails, do not attempt to recharge. If the battery pack gives off an odor, generates heat, or is discolored, deformed, or abnormal in any way during use, recharging, or storage, immediately remove from the hedge trimmer or charger.
- Any liquid leaking from the battery is corrosive, can damage eyes and skin, and may be toxic if swallowed.

CHARGER SAFETY

IMPORTANT SAFETY INSTRUCTIONS

⚠ CAUTION: THIS APPLIANCE IS NOT INTENDED FOR USE BY PERSONS (INCLUDING CHILDREN) WITH REDUCED PHYSICAL, SENSORY OR MENTAL CAPABILITIES, OR LACK OF KNOWLEDGE, UNLESS THEY HAVE BEEN GIVEN SUPERVISION OR INSTRUCTION BY A PERSON RESPONSIBLE FOR THEIR SAFETY. CHILDREN SHOULD BE SUPERVISED TO ENSURE THAT THEY DO NOT PLAY WITH THE APPLIANCES.

⚠ WARNING: RISK OF ELECTRIC SHOCK. WHEN USED OUTDOORS, INSTALL ONLY TO A COVERED CLASS A GFCI PROTECTED RECEPTACLE THAT IS WEATHERPROOF WITH THE POWER UNIT CONNECTED TO THE RECEPTACLE. IF ONE IS NOT PROVIDED, CONTACT A QUALIFIED ELECTRICIAN FOR PROPER INSTALLATION. ENSURE THAT THE POWER UNIT AND CORD DO NOT INTERFERE WITH COMPLETELY CLOSING THE RECEPTACLE COVER.

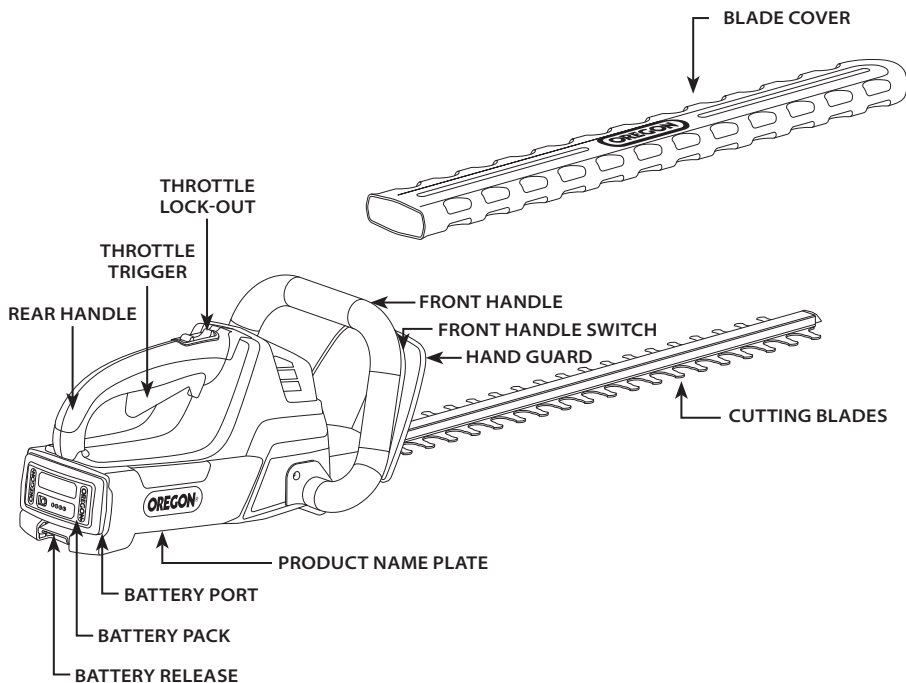
⚠ CAUTION: USE THIS CHARGER ONLY WITH THE SUPPLIED POWER CORD, MAKING SURE THAT THE INPUT PLUG CORRECTLY MATES TO THE OUTPUT RECEPTACLE.

When using electrical products, basic precautions should always be practiced including the following:

- **Read and follow all safety instructions before use.** *Read and follow all instructions that are on the product or provided with the product.*
- **Save these instructions.**
- **Do not use an extension cord.**
- **Do not abuse the cord.** Never use the cord for carrying, pulling or unplugging the power tool. Keep cord away from heat, oil, sharp edges or moving parts. *Damaged or entangled cords increase the risk of electric shock.*
- **Do not expose the charger to rain.** *For indoor use only.*
- **Do not use within 3 m (10 feet) of a pool.**
- **Do not use in a bathroom.**

PRODUCT IDENTIFICATION

KNOW THE HEDGE TRIMMER



NOTE: See "Unpacking" for a list of included items.

SPECIFICATIONS AND COMPONENTS

REPLACEMENT COMPONENTS		PART NUMBER
BATTERY PACK, MODEL B400E		548206
CHARGER WITH CORD, MODEL C600		EU - 554933 UK - 554872 AU/NZ - 560663
CHARGER WITH CORD, MODEL C750		EU - 558697 UK - 558698 AU/NZ - 558699
CHARGER, MODEL C600		
INPUT	100-240V~ 50-60HZ 60W	
OUTPUT	41.5V _{DC} 1.25A	
POWER CORD	EU - 547383 UK - 547384 AU/NZ - 559380	
BATTERY PACK, MODEL B400E		
WEIGHT	1.23 kg (2.72 lb)	
TYPE	LITHIUM ION	
VOLTAGE, NOMINAL	+37 VDC	
OPERATING TEMPERATURES	0°C TO 40°C (32°F TO 104°F)	
CAPACITY, NOMINAL	2.4 Ah / 89 Wh	
CHARGE TIME (APPROX.)	120 MINUTES	
HEDGE TRIMMER		
BLADE LENGTH	600 mm (24 in)	
BLADE TYPE	DUAL RECIPROCATING	
MAX BLADE CUTTING SPEED	2750 STROKES PER MINUTE	
MAX CUTTING DIAMETER	UP TO 19 mm (3/4 in)	
WEIGHT WITH B400E	4.4 kg (9.8 lb)	
SOUND POWER LEVEL	74 dB L _{WA} (K, 0.18 dB)	
VIBRATION	1.16 m/s ² (K, 0.26 m/s ²)	

HEDGE TRIMMER NAMES AND TERMS

Blade bind: A condition where the cutting blades will not move because of material lodged between the moving and stationary parts of the cutting blades.

Bystander safety zone: A 3 m (10 ft) circle around the operator that must remain free from bystanders, children, and pets.

Cutting blades: The series of sharpened surfaces protruding from the front of the hedge trimmer that move back and forth to cut hedges.

Cutting season: The ideal time to trim hedges varies by plant type, but it is generally a good practice to trim during periods of slow growth, after blooming is complete. Consult with a local plant nursery for tips on trimming specific plants.

Cutting speed: The hedge trimmer has a variable cutting speed. Press the throttle trigger more firmly for faster cutting speed. To get the most cutting time out of each charge, use only the minimum cutting speed necessary to cut the material.

Front handle: The support handle located at or toward the front of the hedge trimmer.

Front handle switch: A u-shaped switch running along the front handle that prevents the unintentional operation of the throttle trigger until manually actuated.

Hand guard: A structural barrier between the front handle of a hedge trimmer and the cutting blades.

New growth: The most recent growth on a plant. It is generally lighter in color, less woody, and more flexible than the rest of the plant.

Rear handle: The support handle, located at or toward the rear of the hedge trimmer, where the throttle trigger is located.

Throttle trigger: A device that controls the speed of the cutting blades.

Trigger lock-out: A movable stop that prevents the unintentional activation of the hedge trimmer until manually actuated.

OPERATING THE HEDGE TRIMMER

UNPACKING

WHAT'S IN THE BOX?

The hedge trimmer comes completely assembled. These items ship with the hedge trimmer:

- Hedge trimmer
- Blade cover
- Instruction manual
- Charger and power cord (if so equipped)
- Battery (if so equipped)

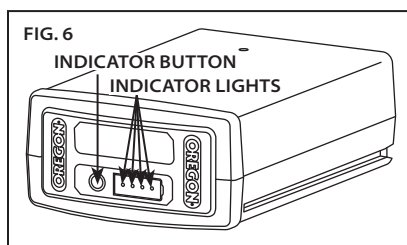
After removing the hedge trimmer from the box, inspect it carefully to ensure no damage has occurred during shipping, and that no parts are missing. If any parts are damaged or missing, do not use the hedge trimmer. Contact OREGON® Cordless Tool System to obtain replacement parts. For country-specific telephone numbers, see "Customer service by country".

BATTERY PACK AND CHARGER

⚠ WARNING: DO NOT CHARGE THE BATTERY PACK IN THE RAIN.

BATTERY PACK LED CHARGE-LEVEL INDICATOR

The lithium ion battery pack is equipped with an LED charge-level indicator. To test the charge level of the battery pack, press the indicator button on the battery pack's face (Fig. 6).



No lights: recharge.

One steady green light:
less than 25% charged.
Charge battery pack before use.

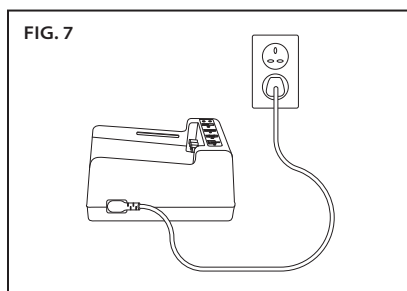
Two steady green lights:
26–50% charged.

Three steady green lights:
51–75% charged.

Four steady green lights:
76–100% charged.

CONNECTING THE CHARGER

Connect the charger cord to the charger and to the proper electrical outlet (Fig. 7).



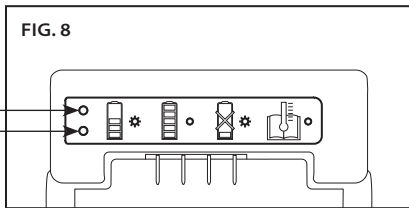
Only use the cord set that was supplied with the charger. At first use, verify that the plug type matches the receptacle.

CHARGER LED CHARGE-STATE INDICATOR

The battery charger is equipped with an LED charge-state indicator that indicates the state of charging as well as conditions that may delay or prevent charging (Fig. 8).

Note: Until a battery pack is inserted, no lights will be visible.

- Blinking orange light: a fault condition exists. There are several potential causes. See “Troubleshooting” in this manual.
- Steady orange light: the battery pack temperature is beyond the acceptable range (0°C/32°F to 40°C/104°F). Allow the battery pack to reach the acceptable temperature range before charging. The pack may be left on the charger as the temperature adjusts. Charging will begin when the proper temperature is reached.

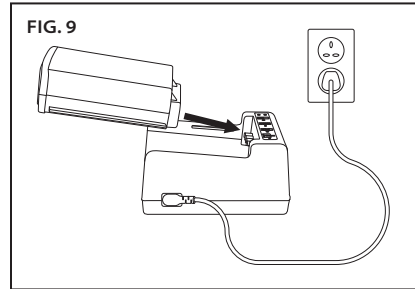


- Blinking green light: battery pack is charging.
- Steady green light: battery pack is READY FOR USE.

CHARGING THE BATTERY PACK

⚠ WARNING: FAILURE TO FOLLOW PROPER CHARGING PROCEDURES MAY CAUSE EXCESSIVE VOLTAGE, EXCESSIVE CURRENT FLOW, LOSS OF CONTROL DURING CHARGING, LEAKAGE OF HAZARDOUS CHEMICALS, HEAT GENERATION, BURSTING, OR FIRE.

With the charger cord connected to the charger and plugged into an electrical outlet, align the grooves in the battery with the rails on the charger and slide the battery pack onto the charger until fully seated (Fig. 9).

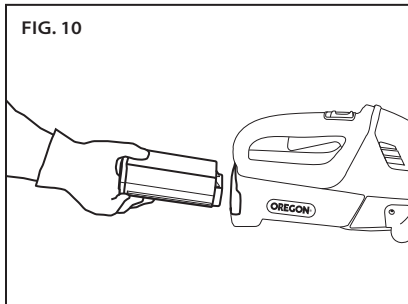


Check the charge-state indicator for charging conditions.

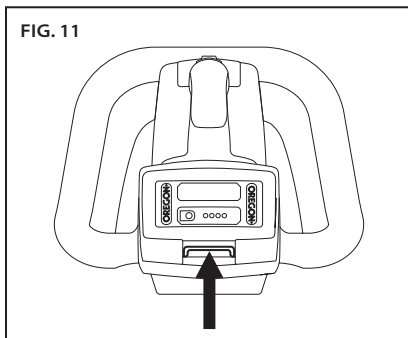
INSERTING AND RELEASING THE BATTERY PACK

Only use the OREGON® brand battery packs specified in these operating instructions.

Align the groove in the battery with the rails inside the battery port. Firmly insert the battery pack into the hedge trimmer's battery port, pressing forward until it clicks as it locks into place (Fig. 10).



To remove the battery pack, lift up on the battery release and remove the pack (Fig. 11).



GENERAL OPERATION



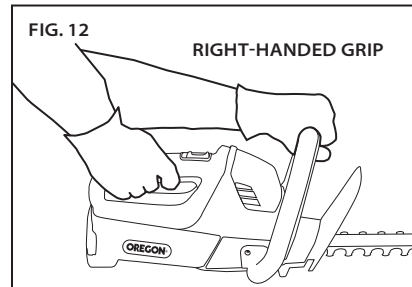
⚠ WARNING: ALWAYS WEAR PROPER GLOVES AND EYE PROTECTION.

OPERATING TEMPERATURE

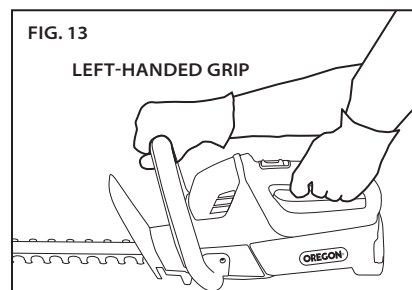
This hedge trimmer is designed to operate within a temperature range of 0°C to 40°C (32°F to 104°F).

GRIP

Always grip the tool with both hands. For right-handed operation, place the hedge trimmer on a firm, flat surface, grasp the front handle with the left hand and the rear handle with the right. Wrap fingers over the top of the front handle with the thumb below (Fig. 12).



For left-handed operation, grasp the front handle with the right hand and the rear handle with the left (Fig. 13).



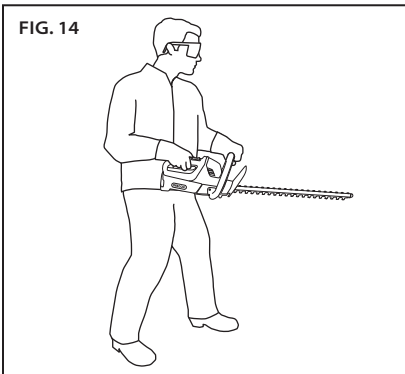
STANCE

Stand with both feet on solid ground, with weight evenly spread between them.

Do not overreach and do not stand on a ladder, stepstool, or any raised position that is not fully secured.



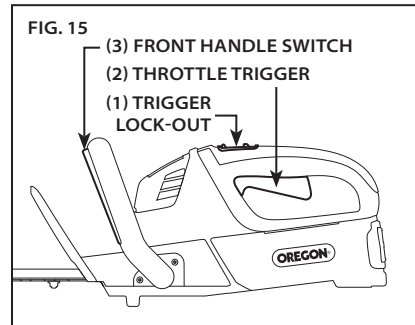
Hold the hedge trimmer as close as possible to the body to maintain control (Fig. 14).

**STOPPING THE HEDGE TRIMMER**

Release the throttle trigger to stop the hedge trimmer.

STARTING THE HEDGE TRIMMER

Grasp the front and rear handles firmly. Pull back on trigger lock-out (1) with thumb (Fig. 15). Squeeze the throttle trigger (2) until the cutting blades move at the desired speed. The front handle switch (3) is a safety feature; the hedge trimmer will not start unless it is activated.

**CONTROLLING CUTTING BLADE SPEED**

The throttle trigger controls the speed at which the cutting blades oscillate. Squeeze the throttle trigger more firmly for faster cutting speed.

Use the lowest pressure required to cut the material. This helps to maximize the amount of cutting time per battery charge and reduces the number of charging operations required.

CUTTING HEDGES

WHEN TO CUT

The ideal time to trim hedges varies by plant type, but it is generally a good practice to trim during periods of slow growth, after blooming is complete. Consult with a local plant nursery for tips on trimming specific plants.

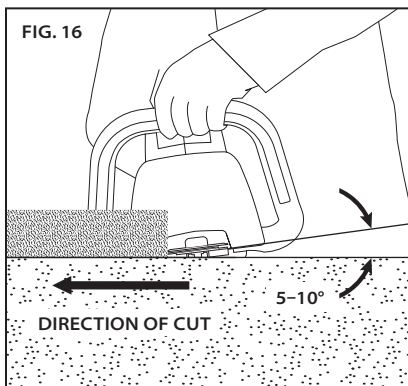
Observe all applicable national and municipal rules and regulations for cutting hedges.

BASIC CUTTING

▲ WARNING: ALWAYS BE SURE OF FOOTING AND HOLD THE HEDGE TRIMMER FIRMLY WITH BOTH HANDS WHILE THE MOTOR IS RUNNING.

Check the hedge for foreign objects prior to cutting to avoid damaging the blades. Remove any objects that may impede cutting.

Assume the proper grip and stance and start the hedge trimmer. Hold the hedge trimmer with the cutting blades angled 5–10° toward the direction of the cut (Fig. 16).



IMPORTANT: THE CUTTING BLADES OCCASIONALLY BIND AND STOP MOVING WHEN MATERIAL BECOMES LODGED IN THE CUTTING BLADES OR IF CUTTING BLADES CONTACT A WIRE OR CHAIN-LINK FENCE. SEE "CORRECTING BLADE BIND" TO LEARN HOW TO FIX THIS.

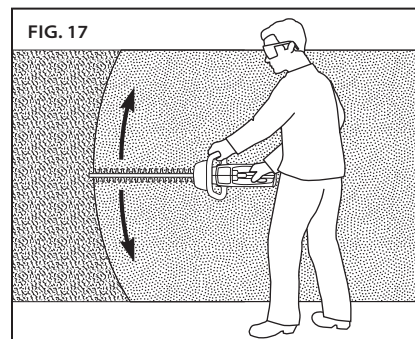
CUTTING SEQUENCE

If the hedge is well-trained, focus on trimming new growth until the hedge is in the desired shape.

Once any large branches are removed, use the hedge trimmer to trim the sides of the hedge to the desired length. Trim the top of hedge last after the sides are complete.

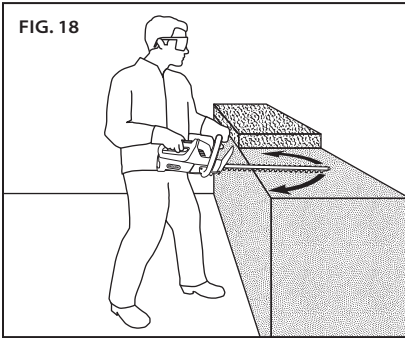
CUTTING VERTICALLY

When cutting the sides of the hedge, start at the bottom of the hedge. Hold the hedge trimmer with the cutting blades angled 5–10° toward the direction of the cut. Move down the line of the hedge, sweeping the hedge trimmer slowly up and down in a wide arc (Fig. 17).



CUTTING HORIZONTALLY

When cutting the top of the hedge, start with the nearest edge. Hold the hedge trimmer with the cutting blades angled 5–10° toward the direction of the cut. Move down the line of the hedge, sweeping the hedge trimmer slowly left and right in a wide arc (Fig. 18).



If the hedge top is too wide to cut in one sweep of the hedge trimmer, do not lean over the hedge to trim the remainder. Instead, make one pass down one side of the hedge, and then cut the remainder from the other side of the hedge.

CORRECTING BLADE BIND

⚠ CAUTION: ALWAYS REMOVE THE BATTERY BEFORE CLEARING CUTTING BLADES TO AVOID ACCIDENTAL ACTIVATION OF THE CUTTING BLADES.

⚠ CAUTION: CUTTING BLADES ARE SHARP. ALWAYS WEAR GLOVES WHEN CLEARING MATERIAL FROM THE CUTTING BLADES.

Sometimes when cutting flexible, “green” branches, clippings can become lodged between the moving parts of the cutting blades and the stationary part. When this happens, the cutting blades may suddenly cease to move. This can also happen if the cutting blades contact material too strong to cut through, such as a chain-link fence. This condition is called blade bind.

Follow these guidelines to safely and effectively clear the material.

- Wear gloves.
- Remove the battery pack from the hedge trimmer. See “Removing the battery pack”.
- Clear the material that is preventing the cutting blades from moving.

MAINTENANCE AND CLEANING

HEDGE TRIMMER

⚠ WARNING: INSPECT THE HEDGE TRIMMER. REGULAR INSPECTION IS THE FIRST STEP TO PROPER MAINTENANCE. FOLLOW THE GUIDELINES BELOW TO MAXIMIZE SAFETY AND SATISFACTION. HAVE ANY DAMAGED OR EXCESSIVELY WORN PARTS REPLACED IMMEDIATELY. FAILURE TO IDENTIFY AND REPLACE DAMAGED OR WORN PARTS CAN CAUSE SERIOUS PERSONAL INJURY.

⚠ WARNING: REMOVE THE BATTERY PACK FROM THE HEDGE TRIMMER BEFORE INSPECTING, CLEANING, OR PERFORMING MAINTENANCE. A BATTERY OPERATED TOOL WITH THE BATTERY PACK INSERTED IS ALWAYS ON AND CAN START ACCIDENTALLY.

⚠ CAUTION: WHEN CLEANING THE HEDGE TRIMMER, DO NOT IMMERSE IN WATER OR OTHER LIQUIDS.

CLEAN THE HEDGE TRIMMER

- Wipe dust, leaves, and clippings from the hedge trimmer.
- Clear the air vents to ensure proper airflow and prevent overheating.
- Wipe the power head with a clean cloth moistened with mild soap and water.
- Never use harsh cleaners or solvents.

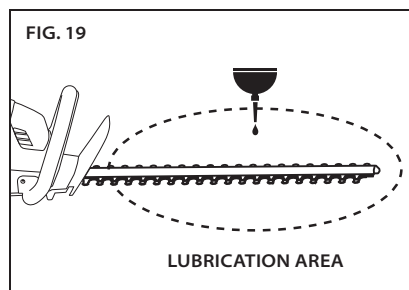
INSPECT THE CUTTING BLADES

Make sure that cutting blades are sharp, have no nicks or blunt edges, and do not hang up or catch when running the hedge trimmer. Periodically file away nicks and burrs on the blades to ensure they move freely. Sharp and free-moving cutting blades cut more easily than dull or sticky ones.

BLADE CARE

When cutting hedges with heavy sap or in dusty environments, buildup of sap and dirt can occasionally cause blades to stick. To prevent this blade stick condition, clean the blades with a light coating of liquid silicon lubricant only on the lubrication area of the cutting blades (Fig. 19) and run the blades briefly to evenly distribute the lubricant.

IMPORTANT: DO NOT ALLOW LUBRICANT TO DRIP INSIDE THE BODY OF THE HEDGE TRIMMER. NEVER USE GREASE SOLVENTS OR AEROSOL WATER DISPLACEMENT PRODUCTS. DO NOT OVER LUBRICATE.



INSPECT THE TIP GUARD

If a tip guard is installed, check to make sure it is not bent or broken. A bent tip guard can prevent free movement of the cutting blades. If the tip guard is bent or broken, have it replaced at an approved service location.

INSTALL THE BLADE COVER

Slip the blade cover over the cutting blades to keep them clean, and to prevent them snagging or cutting people or objects.

INSPECT THE HANDLES

Make sure that both the front and rear handles are clean, dry, and are free of cracks or other damage. Serious personal injury can result if a damaged handle breaks during use.

INSPECT BATTERY PORT

Make sure the battery port is clean, dry, and free of debris. Debris in the battery port can prevent a good electrical connection between the battery pack and the hedge trimmer.

BATTERY PACK

⚠ WARNING: THERE ARE NO USER SERVICEABLE PARTS INSIDE THE BATTERY PACK. DO NOT DISASSEMBLE.

Lithium ion batteries have a predetermined operating life. If the amount of cutting time per charge decreases noticeably, the battery pack is at the end of its useful life and should be replaced.

- Make sure the battery pack, including the contacts, is clean, dry, and has no signs of puncture, impact, or other damage. Broken batteries can cause fires or emit hazardous chemicals.
- Clean dirty contacts with a soft, dry cloth. Dirt or oil can cause a poor electrical connection, resulting in loss of power.

CHARGER

- Unplug the charger from the electrical outlet.
- Clean dirty contacts with a soft, dry cloth.

TROUBLESHOOTING

Use this table to see possible solutions for possible problems with the hedge trimmer. If these suggestions do not solve the problem, see “Service and support information”.

SYMPTOM	POSSIBLE CAUSE	RECOMMENDED ACTIONS
Motor does not run or runs intermittently	Battery discharged	Recharge. See “Charging the battery pack”.
	Front handle switch or trigger lock-out not activated	Grip the front handle switch and pull back on the trigger lock-out before squeezing the throttle trigger. See “Starting the hedge trimmer”.
	Battery pack not fully inserted	Press the battery pack into the battery port until it clicks into place.
	Battery contacts dirty	Remove the battery pack, remove debris from the battery port, and then clean the contacts with a clean, dry cloth.
	Battery pack cold	Allow the battery pack to warm to the minimum operating temperature of 0°C (32°F).
Motor runs, but cutting blades do not move	Object preventing cutting blade movement	See “Correcting blade bind”.
Hedge trimmer does not cut properly	Resin buildup preventing cutting blade movement	See “Blade care”.
	Cutting blades are dull	Have the cutting blades professionally sharpened.
Battery pack does not charge	Battery pack over/under temperature protection is activated	This may occur when the hedge trimmer is run continuously or exposed to high ambient temperatures. Allow the battery pack to reach the acceptable temperature range before charging. See “Charging the battery pack”.
	Dirty or damaged contacts on battery pack or charger	Inspect the contacts on both the battery pack and the charger. Clean as described in “Maintenance and cleaning”, then reinsert into the charger and make sure it is fully seated.
	Battery pack is at the end of its life	All batteries have a limited life. If the battery pack is more than two years old or has been recharged frequently, it may be time to replace it. Replace only with the battery pack specified for this hedge trimmer.
	Charger faulty	Have the function checked at an approved service location.

SYMPTOM	POSSIBLE CAUSE	RECOMMENDED ACTIONS
Low cut time per battery charge	Cutting blades are dull	Have the cutting blades professionally sharpened.
	Worn cutting blades	Have the cutting blades replaced at an approved service location.
	Bent cutting blades	Have the cutting blades replaced at an approved service location.
	Improper cutting technique	Follow guidelines in "Basic cutting".
	Higher cutting speed than necessary	Apply less pressure to the throttle trigger.
	Resin buildup preventing cutting blade movement	See "Blade care".
	Battery pack not fully charged	See "Charging the battery pack".
Blinking orange light on charge state indicator	Charger short circuit, charger over current, over voltage limit, open circuit on battery pack, or charge/pre-charge time out error	<ol style="list-style-type: none"> 1. Make sure the charger cord is connected to both the charger and the electrical outlet. 2. Make sure the charger is receiving the correct voltage. 3. Try charging another battery pack designed for this charger. <p>If this does not correct the problem, have the function checked at an approved service location.</p>

WARRANTY AND SERVICE

WARRANTY

Blount, Inc. warrants all registered OREGON® Cordless Tools, Battery Packs, and Chargers for a period of two (2) years from original date of purchase, and one (1) year if used for commercial purposes. This limited warranty applies to the OREGON® Cordless Tool System manufactured products. During the warranty period, Blount will replace or, at its option, repair for the original purchaser only, free of charge, any product or part which is found upon examination by Blount to be defective in material and/or workmanship. The purchaser shall be responsible for all transportation charges and any cost of removing any part submitted for replacement under this warranty.

KEEP ORIGINAL RECEIPT

Please attach original receipt from initial purchase to this manual and file. For warranty service, please bring product and receipt to the dealer where product was purchased. Or contact us via information provided in "Customer Service by Country."

SERVICE AND SUPPORT INFORMATION

Visit us on the web at **OregonCordless.com** for service center information, or contact our customer service department for assistance, additional technical advice, repair, or replacement parts. For country-specific telephone numbers, see "Customer service by country".

For safety, use only genuine factory replacement parts on the power tool. Our service center is staffed with trained personnel to efficiently provide support and assistance with adjustment, repair, or replacement of all OREGON® Cordless Tool System products.

EC - DECLARATION OF CONFORMITY

Blount International Inc. 4909 SE International Way, Portland Oregon, 97222 USA

DECLARES THAT THE FOLLOWING PRODUCT(S):

Battery Powered Hedge Trimmer Model(s): **HT255**

C600 Battery Charger

ARE COMPLIANT TO THE FOLLOWING EUROPEAN DIRECTIVES AND STANDARDS:

EC DIRECTIVES:

MACHINERY DIRECTIVE 2006/42/EC

CORPORATE REPRESENTATIVE:

EUROPEAN TECHNICAL FILE CONTACT:



Kevin Cyrus
Manager – Product Safety & Compliance
Blount International Inc.
Portland OR 97222 USA

Mr. Marnix Kuypers
Blount International-Europe-S. A.
Rue Emile Francqui, 5
B 1435 Mont-Saint-Guibert
Belgium

DATE/PLACE:

10 July 2012, Portland OR

TABLE DES MATIÈRES

SYMBOLES ET ÉTIQUETTES	28
RÈGLES DE SÉCURITÉ.	29
AVERTISSEMENTS DE SÉCURITÉ GÉNÉRAUX RELATIFS AUX OUTILS ÉLECTRIQUES	29
SÉCURITÉ DE LA ZONE DE TRAVAIL	29
SÉCURITÉ ÉLECTRIQUE.	29
SÉCURITÉ PERSONNELLE	30
UTILISATION ET ENTRETIEN DES OUTILS ÉLECTRIQUES	31
UTILISATION ET ENTRETIEN DE LA BATTERIE.	31
RÉPARATION.	31
AVERTISSEMENTS DE SÉCURITÉ RELATIFS AU TAILLE-HAIE	31
ENTREPOSAGE, TRANSPORT ET ÉLIMINATION.	32
SÉCURITÉ DU CHARGEUR	34
IDENTIFICATION DU PRODUIT	35
CARACTÉRISTIQUES ET COMPOSANTS	36
NOMS ET TERMES RELATIFS AU TAILLE-HAIE.	37
FONCTIONNEMENT DU TAILLE-HAIE	38
DÉBALLAGE	38
BATTERIE ET CHARGEUR	38
UTILISATION GÉNÉRALE.	40
COUPE DES HAIES.	42
ENTRETIEN ET NETTOYAGE	44
TAILLE-HAIE	44
BATTERIE	45
CHARGEUR.	45
DÉPANNAGE.	46
GARANTIE ET ENTRETIEN	48
DÉCLARATION DE CONFORMITÉ « CE »	49
SERVICE APRÈS-VENTE PAR PAYS	418

SYMBOLES ET ÉTIQUETTES

SYMBOLE	DÉSIGNATION	EXPLICATION
	CONSTRUCTION DE CLASSE II	OUTILS DE CONSTRUCTION DÉSIGNÉS COMME DOUBLEMENT ISOLÉS
	SYMBOLE D'ALERTE DE SÉCURITÉ	SIGNIFIE QUE LE TEXTE QUI SUIT EXPLIQUE UN DANGER, UN AVERTISSEMENT OU UNE MISE EN GARDE.
	LIRE LES INSTRUCTIONS	LE MANUEL D'INSTRUCTIONS ORIGINAL COMPORTE D'IMPORTANTES INFORMATIONS SUR LA SÉCURITÉ ET LE FONCTIONNEMENT. LISEZ ET SUIVEZ ATTENTIVEMENT LES INSTRUCTIONS.
	PROTECTION DES YEUX	PORTEZ DES LUNETTES DE PROTECTION LORS DE L'UTILISATION DU TAILLE-HAIE.
	PROTECTION DES MAINS	PORTEZ DES GANTS LORS DE L'UTILISATION DU TAILLE-HAIE ET LORS DE LA MANIPULATION DES LAMES DE COUPE.
	PUISSANCE ACOUSTIQUE	LE NIVEAU DE PUISSANCE ACOUSTIQUE EST DE 74 DB.
	TENUE À DEUX MAINS	TENEZ LE TAILLE-HAIE AVEC LES DEUX MAINS.
	TENUE À UNE MAIN	NE TENEZ PAS LE TAILLE-HAIE AVEC UNE SEULE MAIN.
	NE PAS INCINÉRER	NE LE JETEZ PAS AU FEU.
	NE PAS JETER	NE LE JETEZ PAS DANS LES ORDURES MÉNAGÈRES, APPORTEZ-LE DANS UN CENTRE DE RECYCLAGE AGRÉÉ.
	PROTÉGER DE LA PLUIE	N'UTILISEZ PAS LE CHARGEUR DANS DES CONDITIONS D'HUMIDITÉ.
	UTILISATION EN INTÉRIEUR UNIQUEMENT	CONÇU POUR UNE UTILISATION EN INTÉRIEUR UNIQUEMENT.
	VÉRIFIER LA SOURCE D'ALIMENTATION	VÉRIFIEZ RÉGULIÈREMENT QUE LA SOURCE D'ALIMENTATION ET LE CÂBLE DU CHARGEUR N'ONT PAS SUBI DE DOMMAGES.
	TEMPÉRATURES DE FONCTIONNEMENT	UTILISEZ UNIQUEMENT LA BATTERIE À UNE TEMPÉRATURE COMPRISE ENTRE 0 °C ET 40 °C (32 °F ET 104 °F).
	OUTIL DE COUPE	OUTIL DE COUPE. NE TOUCHEZ PAS LES LAMES DE COUPE SANS AVOIR D'ABORD DÉSACTIVÉ LE TAILLE-HAIE EN RETIRANT LA BATTERIE.

INTRODUCTION

Ce taille-haie est conçu pour l'entretien et la taille régulière des haies. Il n'est pas conçu pour couper des branches dépassant 19 mm (¾ po) de diamètre. D'autres utilisations peuvent provoquer des blessures et ne sont pas autorisées.

RÈGLES DE SÉCURITÉ

AVERTISSEMENTS DE SÉCURITÉ GÉNÉRAUX RELATIFS AUX OUTILS ÉLECTRIQUES

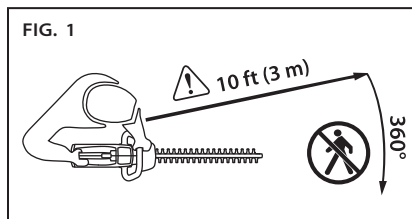
▲ AVERTISSEMENT : LISEZ ET COMPRENEZ L'ENSEMBLE DES INSTRUCTIONS ET AVERTISSEMENTS DE SÉCURITÉ. LE NON-RESPECT DES AVERTISSEMENTS DE SÉCURITÉ ET DES INSTRUCTIONS PEUT ENTRAÎNER UNE DÉCHARGE ÉLECTRIQUE, UN INCENDIE ET/OU DES BLESSURES GRAVES.



CONSERVEZ L'ENSEMBLE DES AVERTISSEMENTS ET INSTRUCTIONS POUR RÉFÉRENCE ULTÉRIEURE. LE TERME « OUTIL ÉLECTRIQUE » UTILISÉ DANS LES AVERTISSEMENTS FAIT RÉFÉRENCE À VOTRE OUTIL ÉLECTRIQUE ALIMENTÉ SUR SECTEUR (CÂBLÉ) OU FONCTIONNANT SUR BATTERIE (SANS CÂBLE).

SÉCURITÉ DE LA ZONE DE TRAVAIL

- Maintenez la zone de travail propre et bien éclairée. *Les zones en désordre ou mal éclairées augmentent les risques d'accidents.*
- Ne faites pas fonctionner les outils électriques dans une atmosphère explosive, telle qu'en présence de liquides inflammables, gaz ou poussières. *Les outils électriques produisent des étincelles qui peuvent enflammer la poussière ou les émanations.*
- Maintenez à distance les enfants et les personnes à proximité lorsque vous utilisez un outil électrique (Fig. 1). *Une distraction peut vous faire perdre le contrôle de l'outil.*



▲ MISE EN GARDE : ÉTABLISSEZ UNE ZONE DE SÉCURITÉ DE 3 M (10 PI) POUR LES PERSONNES À PROXIMITÉ AVANT D'UTILISER CET ÉQUIPEMENT. *Cette zone de sécurité est un cercle de 3 m (10 pi) autour de l'utilisateur qui ne doit inclure aucun(e) personne à proximité, enfant ou animal.*

SÉCURITÉ ÉLECTRIQUE

- La fiche d'alimentation de l'outil électrique doit correspondre à la prise secteur. Ne modifiez jamais la fiche d'alimentation de quelque manière que ce soit. N'utilisez pas de fiches d'adaptateurs avec des outils électriques mis à la terre (reliés à la terre). *L'utilisation de fiches non modifiées et de prises correspondantes réduit le risque de décharge électrique.*
- Évitez tout contact du corps avec des surfaces reliées à la terre, comme des tuyaux, radiateurs, fourneaux et réfrigérateurs. *Le risque de décharge électrique augmente si votre corps est relié à la terre.*
- Protégez les outils électriques de la pluie et des conditions d'humidité. *Le risque de décharge électrique augmente si de l'eau pénètre dans l'outil électrique.*
- Maniez le câble avec précaution. N'utilisez jamais le câble pour transporter, tirer ou débrancher l'outil électrique. Tenez le câble éloigné de la chaleur, de l'huile, des bords affûtés et des pièces mobiles. *Des câbles endommagés ou entremêlés augmentent le risque de décharge électrique.*
- Lorsque vous faites fonctionner un outil électrique à l'extérieur, utilisez une rallonge conçue pour un usage extérieur. *L'utilisation d'un câble adapté à un usage extérieur diminue le risque de décharge électrique.*

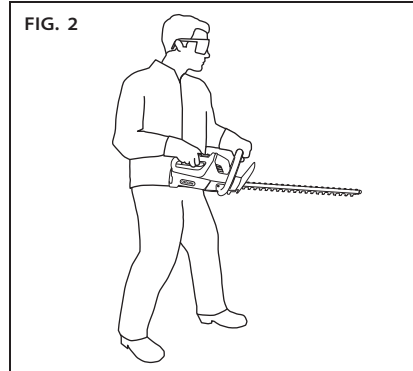
- Si vous ne pouvez pas éviter de faire fonctionner l'outil électrique dans un endroit humide, utilisez une alimentation protégée par un disjoncteur à courant différentiel résiduel (DDR) ou un disjoncteur-détecteur de fuites à la terre (DDFT). *L'utilisation d'un DDR (DDFT) diminue le risque de décharge électrique.*
- Retirez immédiatement la fiche du secteur si le câble est endommagé ou coupé.

SÉCURITÉ PERSONNELLE



- Restez sur vos gardes, regardez ce que vous faites et faites preuve de bon sens lorsque vous utilisez un outil électrique. N'utilisez pas un outil électrique si vous êtes fatigué ou sous l'influence de médicaments, d'alcool ou de drogues. *Un moment d'inattention lors de l'utilisation d'outils électriques peut entraîner de graves blessures corporelles.*
- Utilisez des équipements de protection individuelle. Portez toujours des lunettes de protection. *Un équipement de sécurité comme un masque anti-poussières, des chaussures de sécurité antidérapantes, un casque de sécurité ou une protection auditive, utilisé selon la tâche à effectuer, permettra de diminuer le risque de blessures corporelles.*
- Empêchez les démarrages non souhaités. Assurez-vous que l'interrupteur est en position éteinte avant de brancher l'outil sur le courant et/ou la batterie, avant de le prendre ou de le porter. *Porter les outils électriques avec le doigt sur l'interrupteur ou les alimenter quand l'interrupteur est en position de marche, peut provoquer des accidents.*
- Retirez toute clé ou clavette de calage avant la mise en marche de l'outil électrique. *Une clé ou une clavette qui reste attachée à un élément rotatif de l'outil électrique peut provoquer des blessures corporelles.*

- Ne vous penchez pas trop en avant. Maintenez constamment votre équilibre et votre prise au sol (Fig. 2). *Cela améliore le contrôle de l'outil électrique en cas de situations imprévues.*



- Habillez-vous de manière appropriée. Ne portez pas de vêtements amples ni de bijoux. Maintenez vos cheveux, vêtements et gants à l'écart des pièces mobiles. *Les vêtements amples, bijoux ou cheveux longs peuvent s'enchevêtrer dans les pièces mobiles.*
- Si des dispositifs sont fournis pour raccorder des installations d'extraction et de collecte des poussières, assurez-vous que ceux-ci sont connectés et correctement utilisés. *L'utilisation d'un système de collecte des poussières peut réduire les risques liés à la poussière.*
- L'utilisation prolongée d'outils électriques peut entraîner des troubles vasculaires, musculaires ou neurologiques (comme le syndrome du doigt mort ou syndrome de Raynaud causé par les vibrations). *Respectez les instructions suivantes pour réduire le risque de blessure:*
 - Portez des gants et gardez vos mains et votre corps au chaud.
 - Maintenez fermement le taille-haie, mais n'exercez pas de pression excessive ou prolongée.
 - Faites souvent des pauses.

Les vibrations en condition normale d'utilisation peuvent différer des valeurs indiquées selon le matériau coupé, l'entretien du système de coupe et d'autres facteurs.

UTILISATION ET ENTRETIEN DES OUTILS ÉLECTRIQUES

- **Ne forcez pas sur l'outil électrique.** Utilisez le taille-haie adapté à votre application. *L'outil électrique adapté effectuera un travail de meilleure qualité et plus sûr, à la vitesse pour laquelle il a été conçu.*
- **N'utilisez pas l'outil électrique si vous ne pouvez l'allumer ou l'éteindre à l'aide de l'interrupteur.** *Tout outil électrique ne pouvant être contrôlé au moyen de l'interrupteur est dangereux et doit être réparé.*
- **Débranchez la fiche de la source d'alimentation et/ou la batterie de l'outil électrique avant d'effectuer des réglages, de changer les accessoires ou d'entreposer les outils électriques.** *De telles mesures de sécurité préventives réduisent le risque de démarrer l'outil électrique par accident.*



- **Maintenez les outils électriques à l'arrêt hors de portée des enfants. N'autorisez pas les personnes non habituées à l'outil électrique, ou n'ayant pas lu les instructions, à l'utiliser.** *Les outils électriques sont dangereux lorsqu'ils sont entre les mains d'utilisateurs novices.*
- **Entretenez les outils électriques.** Vérifiez l'absence de mauvais alignement ou de grippage des pièces mobiles, de rupture de pièces et de tout autre état pouvant affecter le fonctionnement de l'outil électrique. *S'il est endommagé, faites-le réparer avant de l'utiliser. De nombreux accidents sont causés par des outils mal entretenus.*
- **Maintenez les outils de coupe affûtés et propres.** *Les outils tranchants entretenus et aux bords affûtés risqueront moins de se coincer et seront plus faciles à maîtriser.*
- **Utilisez l'outil électrique, les accessoires, les outils, etc. en respectant ces instructions et en tenant compte des conditions de travail ainsi que du travail à effectuer.** *L'utilisation de l'outil électrique différente de celle pour laquelle il a été conçu peut engendrer des situations dangereuses.*

UTILISATION ET ENTRETIEN DE LA BATTERIE

- **Rechargez la batterie uniquement avec le chargeur indiqué par le fabricant.** *Un chargeur convenant à un type de batterie peut entraîner un risque d'incendie lorsqu'il est utilisé avec une autre batterie.*
- **N'utilisez les outils électriques qu'avec une batterie spécialement indiquée.** *L'utilisation de toute autre batterie peut entraîner un risque de blessure et d'incendie.*
- **Lorsque la batterie n'est pas utilisée, tenez-la éloignée des autres objets métalliques, notamment des trombones, pièces de monnaie, clés, clous, vis ou autres petits objets métalliques, qui peuvent établir une connexion entre les deux bornes.** *Court-circuiter les bornes de la batterie peut provoquer des brûlures ou un incendie.*
- **Dans des conditions extrêmes, du liquide peut être éjecté de la batterie ; éviter tout contact avec celui-ci.** *En cas de contact accidentel, rincer avec de l'eau. Si du liquide entre en contact avec les yeux, demandez également un avis médical. Le liquide éjecté de la batterie peut entraîner une irritation ou des brûlures.*

RÉPARATION

Faites entretenir votre outil électrique par un réparateur agréé n'utilisant que des pièces de rechange identiques. Cela garantira que la sécurité de l'outil électrique est maintenue.

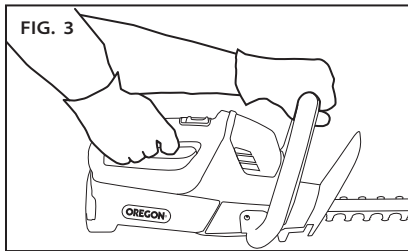
AVERTISSEMENTS DE SÉCURITÉ RELATIFS AU TAILLE-HAIE



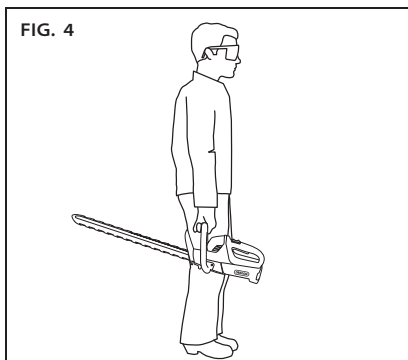
⚠ DANGER : MAINTENEZ LES MAINS À DISTANCE DES LAMES. TOUT CONTACT AVEC LA LAME PROVOQUE DE GRAVES BLESSURES CORPORELLES.

⚠ AVERTISSEMENT : N'UTILISEZ LE TAILLE-HAIE QU'AVEC LA POIGNÉE ET LE PROTÈGE-MAIN CORRECTEMENT MONTÉS SUR CELUI-CI. L'UTILISATION DU TAILLE-HAIE SANS LA PROTECTION OU LA POIGNÉE ADÉQUATE FOURNIE PEUT PROVOQUER DE GRAVES BLESSURES CORPORELLES.

- Servez-vous des deux mains lorsque vous manipulez le taille-haie. L'utilisation d'une seule main peut provoquer une perte de contrôle et causer de graves blessures corporelles (Fig. 3).



- Conservez toutes les parties du corps éloignées de la lame de coupe. Ne retirez pas le matériau coupé ou ne tenez pas le matériau à couper lorsque les lames sont en mouvement. Vérifiez que l'interrupteur est en position éteinte lorsque vous retirez des matériaux coincés. Les lames décèlent après l'arrêt. Un moment d'inattention lors de l'utilisation du taille-haie peut entraîner de graves blessures corporelles.
- Portez le taille-haie par la poignée avec la lame de coupe arrêtée (Fig. 4). Lors du transport ou de l'entreposage du taille-haie, fixez toujours le couvercle du dispositif de coupe. Une manipulation correcte du taille-haie diminue le risque de blessures corporelles causées par les lames de coupe.



- Tenez l'outil électrique par les surfaces de prise isolées uniquement, car la lame de coupe peut entrer en contact avec des câbles dissimulés ou son propre câble. Des lames de coupe en contact avec un câble alimenté peuvent alimenter à leur tour les parties métalliques exposées de l'outil électrique et transmettre une décharge électrique à l'utilisateur.
- Le taille-haie ne contient aucune pièce pouvant être réparée par l'utilisateur. Le remplacement, l'entretien et la réparation des lames nécessitent une formation spéciale. Consultez la section « Informations sur l'entretien et l'assistance » pour obtenir des coordonnées.

ENTREPOSAGE, TRANSPORT ET ÉLIMINATION

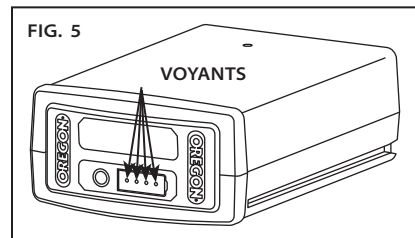
ENTREPOSAGE DU TAILLE-HAIE

- Appliquez du lubrifiant sur les lames de coupe. Consultez la section « Entretien et nettoyage » pour de plus amples informations.
- Retirez la batterie du taille-haie.
- Nettoyez soigneusement le taille-haie.
- Installez le couvre-lame.
- Entrez-le dans un endroit sec.
- Tenez-le hors de portée des enfants et des animaux.

ENTREPOSAGE DE LA BATTERIE

Lorsque vous entreposez la batterie pendant plus de neuf mois, suivez les consignes suivantes :

- Retirez la batterie du taille-haie ou du chargeur.
- Entrez-la dans un endroit frais et sec.
- Tenez-le hors de portée des enfants et des animaux.
- Pour prolonger la durée de vie de la batterie, ne l'entreposez jamais complètement déchargée. (Fig. 5).



- Entrez-la à une température comprise entre -20 °C et 30 °C (entre -4 °F et 86 °F).



ENTREPOSAGE DU CHARGEUR

- Retirez la batterie du chargeur.
- Débranchez le chargeur de la source d'alimentation.
- Entrez-la dans un endroit sec.
- Tenez-le hors de portée des enfants et des animaux.

Consultez la section « Entretien et nettoyage » pour de plus amples informations.

TRANSPORT DU TAILLE-HAIE

Préparez le taille-haie tel que décrit dans la section « Entreposage du taille-haie » avant l'expédition.

TRANSPORT DE LA BATTERIE

Respectez les réglementations nationales de votre pays concernant le transport des batteries au lithium-ion, un étiquetage obligatoire peut être requis.

ÉLIMINATION DU TAILLE-HAIE ET DU CHARGEUR

Le produit OREGON® est conçu et fabriqué avec des matériaux et des composants de grande qualité pouvant être recyclés et réutilisés. À la fin de vie du produit, et conformément à la directive 2002/95/EC, les appareils électriques ne doivent pas être éliminés dans votre poubelle domestique. Dans l'Union européenne, il existe des systèmes de collecte distincts pour les composants électriques et les produits électroniques usés. Veuillez éliminer ce matériel d'une façon respectueuse de l'environnement dans votre déchetterie/centre de recyclage local(e).

ÉLIMINATION DE LA BATTERIE

Ne jetez pas la batterie dans une poubelle réservée aux ordures ménagères. N'incinerez pas la batterie. Les organismes locaux de gestion et de recyclage des déchets disposent d'informations concernant son élimination correcte ou son recyclage, en fonction des réglementations environnementales.



SÉCURITÉ DE LA BATTERIE

⚠ DANGER : LE NON-RESPECT DE CES RÈGLES DE SÉCURITÉ PEUT ENTRAÎNER LA FUITE DE LIQUIDES DANGEREUX DE LA BATTERIE, UNE CHALEUR EXCESSIVE, UNE ÉMISSION DE FUMÉE, UN ÉCLATEMENT, UNE COMBUSTION, UNE EXPLOSION ET/OU UN INCENDIE.

⚠ MISE EN GARDE : NE JETEZ PAS LA BATTERIE DANS LE FEU OU À LA POUBELLE. LES BATTERIES AU LITHIUM-ION DOIVENT ÊTRE RECYCLÉES PAR UN ORGANISME DE RECYCLAGE LOCAL AGRÉÉ.

⚠ MISE EN GARDE : N'EXPOSEZ PAS LA BATTERIE À UNE CHALEUR EXCESSIVE, COMME L'INTÉRIEUR D'UN VÉHICULE PAR TEMPS CHAUD. UNE TELLE EXPOSITION PEUT PROVOQUER UNE PERTE DE PERFORMANCES ET/OU RÉDUIRE SA DURÉE DE VIE. N'ESSAYEZ PAS DE RECHARGER UNE BATTERIE NON RECHARGEABLE.

- Ne démontez pas la batterie et ne la modifiez pas. Cela peut endommager les fonctions de sécurité.
- Ne branchez pas les bornes positive (+) et négative (-) à des objets métalliques. N'entrez pas la batterie avec des objets métalliques tels que des pièces de monnaie ou des vis. Cela peut provoquer un court-circuit et générer assez de chaleur pour causer des brûlures.
- N'incinerez pas la batterie. Ne l'exposez pas à une chaleur excessive. Cela peut faire fondre l'isolation ou endommager les fonctions de sécurité.

- N'utilisez pas, ne chargez pas et n'entrez pas la batterie près d'une source de chaleur dépassant les 80 °C (176 °F). Il peut en résulter une chaleur excessive et un court-circuit interne.
- Ne l'exposez pas à des conditions d'humidité extrêmes. Cela peut endommager les fonctions de sécurité, entraîner une charge avec un courant et une tension très élevés et provoquer des réactions chimiques anormales.
- Utilisez uniquement le chargeur spécialement conçu pour cette batterie et respectez les précautions de sécurité décrites dans la section « Sécurité du chargeur ». L'utilisation d'un autre chargeur peut endommager les fonctions de sécurité, entraîner une charge avec un courant et une tension très élevés et provoquer des réactions chimiques anormales.
- N'utilisez pas les batteries de la marque OREGON® dans des outils d'une autre marque qu'OREGON®.
- Ne frappez pas, ne percez pas et ne jetez pas la batterie ; n'utilisez pas une batterie endommagée ou déformée.
- Si la recharge de la batterie échoue, n'essayez pas de la charger. Si la batterie dégage une odeur, de la chaleur, se décolore, se déforme, ou si elle semble anormale durant l'utilisation, la charge ou l'entreposage, retirez-la immédiatement du taille-haie ou du chargeur.
- Tout liquide fuyant de la batterie est corrosif, peut endommager les yeux et la peau et peut être toxique s'il est avalé.

SÉCURITÉ DU CHARGEUR

INSTRUCTIONS DE SÉCURITÉ IMPORTANTES

▲ MISE EN GARDE : CET APPAREIL NE DOIT PAS ÊTRE UTILISÉ PAR DES PERSONNES (INCLUANT DES ENFANTS) AYANT DES CAPACITÉS PHYSIQUES, SENSORIELLES OU MENTALES RÉDUITES, OU UN MANQUE DE CONNAISSANCES, SAUF SI ELLES ONT ÉTÉ FORMÉES ET SUPERVISÉES PAR UNE PERSONNE RESPONSABLE DE LEUR SÉCURITÉ. LES ENFANTS DOIVENT ÊTRE SURVEILLÉS AFIN DE S'ASSURER QU'ILS NE JOUENT PAS AVEC CET APPAREIL.

▲ AVERTISSEMENT : RISQUE DE DÉCHARGE ÉLECTRIQUE. LORS D'UNE UTILISATION À L'EXTÉRIEUR, NE L'INSTALLEZ QUE SUR UNE PRISE DDFT DE CLASSE A ÉTANCHE PROTÉGÉE PAR UN COUVERCLE, AVEC L'UNITÉ D'ALIMENTATION RACCORDÉE À LA PRISE. SI ELLE N'EST PAS FOURNIE, CONTACTEZ UN ÉLECTRICIEN QUALIFIÉ POUR UNE INSTALLATION CORRECTE. ASSUREZ-VOUS QUE L'UNITÉ D'ALIMENTATION ET LE CÂBLE N'INTERFÈRENT PAS AVEC LA FERMETURE COMPLÈTE DU COUVERCLE DE LA PRISE.

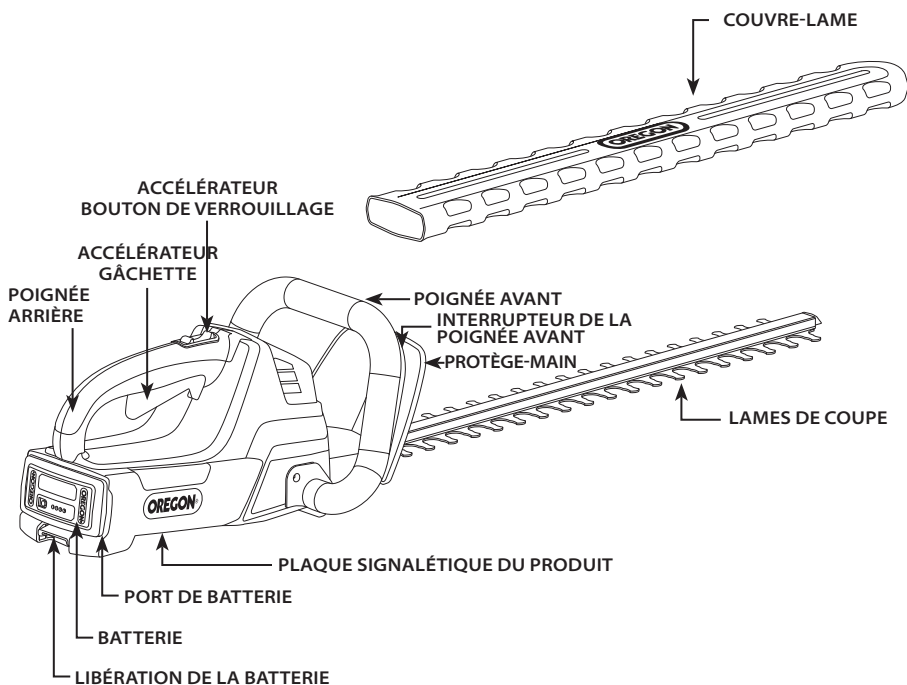
▲ MISE EN GARDE : N'UTILISEZ CE CHARGEUR QU'AVEC LE CÂBLE D'ALIMENTATION FOURNI, EN VEILLANT À CE QUE LA PRISE DE COURANT SOIT BIEN ADAPTÉE À LA PRISE DE SORTIE.

Lors de l'utilisation de produits électriques, il convient d'appliquer des précautions de base comme celles qui suivent :

- Lisez et respectez toutes les instructions de sécurité avant utilisation. Lisez et respectez toutes les instructions indiquées sur le produit ou fournies avec le produit.
- Conservez ces instructions.
- N'utilisez pas de rallonge.
- Maniez le câble avec précaution. N'utilisez jamais le câble pour transporter, tirer ou débrancher l'outil électrique. Tenez le câble éloigné de la chaleur, de l'huile, des bords affûtés et des pièces mobiles. Des câbles endommagés ou entremêlés augmentent le risque de décharge électrique.
- Protégez le chargeur de la pluie. Pour une utilisation à l'intérieur uniquement.
- Ne l'utilisez pas à moins de 3 m (10 pi) d'une piscine.
- Ne l'utilisez pas dans une salle de bain.

IDENTIFICATION DU PRODUIT

CONNAITRE LE TAILLE-HAIE



REMARQUE : Consultez la section « Déballage » pour obtenir la liste des éléments inclus.

CARACTÉRISTIQUES ET COMPOSANTS

COMPOSANTS DE RECHANGE		RÉFÉRENCE DE LA PIÈCE
BATTERIE, MODÈLE B400E		548206
CHARGEUR AVEC CÂBLE, MODÈLE C600		EU - 554933 R-U - 554872 AU/NZ - 560663
CHARGEUR AVEC CÂBLE, MODÈLE C750		EU - 558697 R-U - 558698 AU/NZ - 558699
CHARGEUR, MODÈLE C600		
ENTRÉE	100-240 V~ 50-60 HZ 60 W	
SORTIE	41,5 V _{DC} 1,25 A	
CÂBLE D'ALIMENTATION	EU - 547383 R-U - 547384 AU/NZ - 559380	
BATTERIE, MODÈLE B400E		
POIDS	1,23 kg (2,72 lb)	
TYPE	LITHIUM-ION	
TENSION NOMINALE	+37 V C.C.	
TEMPÉRATURES DE FONCTIONNEMENT	0° C À 40° C (32° F À 104° F)	
CAPACITÉ NOMINALE	2,4 Ah/89 Wh	
TEMPS DE CHARGE (ENV.)	120 MINUTES	
TAILLE-HAIE		
LONGUEUR DES LAMES	600 mm (24 po)	
TYPE DE LAME	DOUBLE À MOUVEMENT ALTERNATIF	
VITESSE MAXIMUM DE COUPE DES LAMES	2 750 COUPS PAR MINUTE	
DIAMÈTRE DE COUPE MAX	JUSQU'À 19 mm (3/4 po)	
POIDS AVEC B400E	4,4 kg (9,8 lb)	
NIVEAU DE PUISSANCE ACOUSTIQUE	74 dB L _{WA} (K, 0,18 dB)	
VIBRATIONS	1,16 m/s ² (K, 0,26 m/s ²)	

NOMS ET TERMES RELATIFS AU TAILLE-HAIE

Bouton de verrouillage de la gâchette : dispositif d'arrêt mobile qui empêche l'activation involontaire du taille-haie, jusqu'à ce qu'il soit débloqué manuellement.

Gâchette d'accélérateur : dispositif qui contrôle la vitesse des lames de coupe.

Grippage des lames : état dans lequel les lames de coupe ne bougeront pas car des matériaux se sont logés entre les parties fixes et mobiles de ces lames.

Interrupteur de la poignée avant : interrupteur en forme de U situé le long la poignée avant. Il empêche l'activation involontaire de la gâchette d'accélérateur jusqu'à ce qu'elle soit débloquée manuellement.

Lames de coupe : séries de surfaces affûtées dépassant de l'avant du taille-haie et qui bougent d'avant en arrière pour couper les haies.

Nouvelles pousses : pousses les plus récentes d'une plante. Elles sont généralement d'une couleur plus claire, moins épaisses et plus souples que le reste de la plante.

Poignée arrière : poignée d'appui logée à l'arrière ou vers l'arrière du taille-haie, à l'endroit où se trouve la gâchette d'accélérateur.

Poignée avant : poignée d'appui logée à l'avant ou vers l'avant du taille-haie.

Protège-main : barrière structurelle entre la poignée avant d'un taille-haie et les lames de coupe.

Saison de la coupe : la période idéale pour tailler les haies varie selon le type de plante, mais il est généralement conseillé de le faire lorsque la pousse est lente, après la fin de la floraison. Consultez une pépinière locale pour obtenir des astuces sur la taille de plantes spécifiques.

Vitesse de coupe : le taille-haie possède une vitesse de coupe variable. Appuyez plus fermement sur la gâchette d'accélérateur pour augmenter la vitesse de coupe. Pour obtenir le maximum de temps de coupe de chaque charge, utilisez uniquement la vitesse de coupe minimum nécessaire pour couper le matériau.

Zone de sécurité pour les personnes à proximité : cercle de 3 m (10 pi) autour de l'utilisateur qui ne doit inclure aucun(e) personne à proximité, enfant ou animal.

FONCTIONNEMENT DU TAILLE-HAIE

DÉBALLAGE

CONTENU DE LA BOÎTE

Le taille-haie est livré entièrement monté, avec les éléments suivants :

- Taille-haie
- Couvre-lame
- Manuel d'instructions
- Chargeur et câble d'alimentation (si équipé)
- Batterie (si équipé)

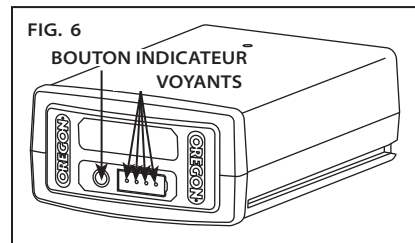
Après avoir sorti le taille-haie de la boîte, inspectez-le avec soin afin de vous assurer qu'il n'a pas été endommagé pendant le transport et qu'aucune pièce ne manque. Si des pièces sont manquantes ou endommagées, n'utilisez pas le taille-haie. Contactez OREGON® Cordless Tool System pour obtenir des pièces de rechange. Pour connaître les numéros de téléphone propres à chaque pays, consultez la section « Service après-vente par pays ».

BATTERIE ET CHARGEUR

⚠ AVERTISSEMENT : NE CHARGEZ PAS LA BATTERIE SOUS LA PLUIE.

INDICATEUR LED DU NIVEAU DE CHARGE DE LA BATTERIE

La batterie au lithium-ion est équipée d'un indicateur LED de niveau de charge. Pour tester le niveau de charge de la batterie, appuyez sur le bouton indicateur situé à l'avant de la batterie (Fig. 6).



Aucun voyant : recharge.

Un voyant vert fixe :

moins de 25 % de charge.

Chargez la batterie avant toute utilisation.

Deux voyants verts fixes :

entre 26 et 50 % de charge.

Trois voyants verts fixes :

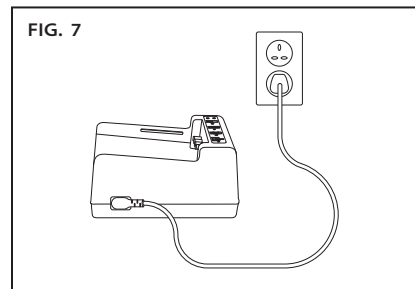
entre 51 et 75 % de charge.

Quatre voyants verts fixes :

entre 76 et 100 % de charge.

CONNEXION DU CHARGEUR

Connectez le câble du chargeur au chargeur et à une prise de courant adaptée (Fig. 7).



N'utilisez que le jeu de câbles fourni avec le chargeur. La première fois, vérifiez que le type de fiche correspond à la prise.

INDICATEUR LED DE NIVEAU DE CHARGE DU CHARGEUR

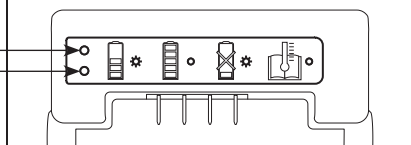
Le chargeur de batterie est équipé d'un indicateur de charge LED qui indique le niveau de charge, ainsi que les situations pouvant retarder ou empêcher la mise en charge (Fig. 8.)

Remarque : Aucun voyant n'est visible avant la mise en place de la batterie.

Voyant orange clignotant : signale une défaillance. Elle peut avoir plusieurs raisons. Consultez la section « Dépannage » de ce manuel.

Voyant orange fixe : la température de la batterie dépasse la plage de tolérance (de 0 °C/32 °F à 40 °C/104 °F). Laissez la batterie redescendre à une température acceptable avant de la mettre en charge. La batterie peut être laissée sur le chargeur jusqu'à ce que la température redevienne normale. La mise en charge commencera lorsque la température adéquate sera atteinte.

FIG. 8



Voyant vert clignotant : la batterie est en charge.

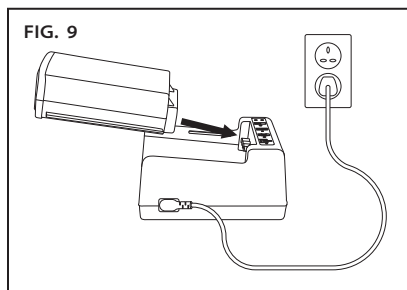
Voyant vert fixe : la batterie est PRÊTE À FONCTIONNER.

CHARGEMENT DE LA BATTERIE

⚠ AVERTISSEMENT : LE NON-RESPECT DES PROCÉDURES DE CHARGEMENT PEUT ENTRAÎNER UNE SURTENSION, UNE INTENSITÉ DE COURANT EXCESSIVE, UNE PERTE DE CONTRÔLE DURANT LA CHARGE, UNE FUITE DE PRODUITS CHIMIQUES DANGEREUX, UNE PRODUCTION DE CHALEUR, UNE EXPLOSION OU UN INCENDIE.

Une fois le câble du chargeur connecté et branché dans une prise de courant, alignez les rainures de la batterie sur les rails du chargeur et faites glisser la batterie sur le chargeur jusqu'à ce qu'elle soit bien enclenchée (Fig. 9).

FIG. 9

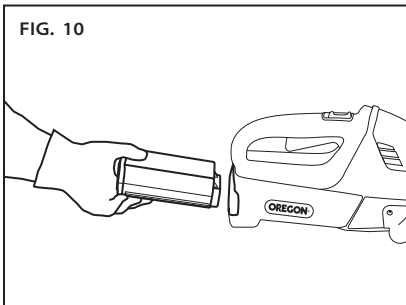


Vérifiez les conditions de charge sur l'indicateur de niveau de charge.

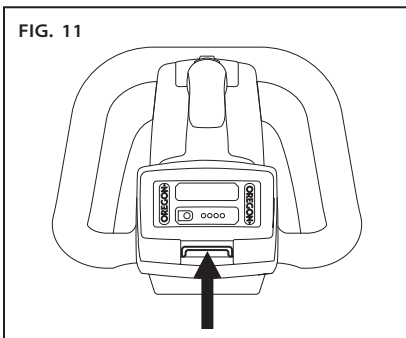
INSERTION ET DÉBLOCAGE DE LA BATTERIE

Utilisez uniquement les batteries de la marque OREGON® indiquées dans ces instructions d'utilisation.

Alignez la rainure de la batterie sur les rails du port de batterie. Insérez fermement la batterie dans le port de batterie du taille-haie et appuyez jusqu'à entendre un clic indiquant qu'elle est enclenchée (Fig. 10).



Pour pouvoir retirer la batterie, levez le bouton de libération de la batterie (Fig. 11).



UTILISATION GÉNÉRALE



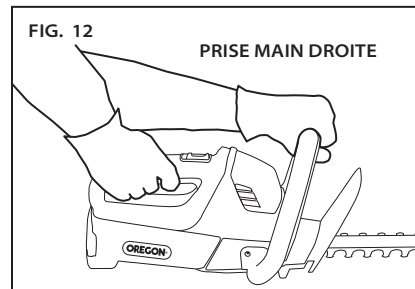
⚠ AVERTISSEMENT : PORTEZ TOUJOURS DES GANTS ADAPTÉS, AINSI QU'UNE PROTECTION OCULAIRE.

TEMPÉRATURES DE FONCTIONNEMENT

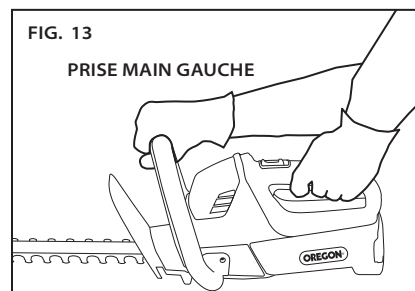
Ce taille-haie est conçu pour fonctionner à des températures comprises entre 0 °C et 40 °C (entre 32 °F et 104 °F).

PRISE EN MAIN

Prenez toujours l'outil avec les deux mains. Pour une utilisation avec la main droite, posez le taille-haie sur une surface solide et plate, puis attrapez la poignée avant avec la main gauche et la poignée arrière avec la main droite. Entourez la poignée avant de vos doigts, le pouce étant placé en dessous (Fig. 12).



Pour une utilisation avec la main gauche, attrapez la poignée avant avec la main droite et la poignée arrière avec la main gauche (Fig. 13).



POSITION

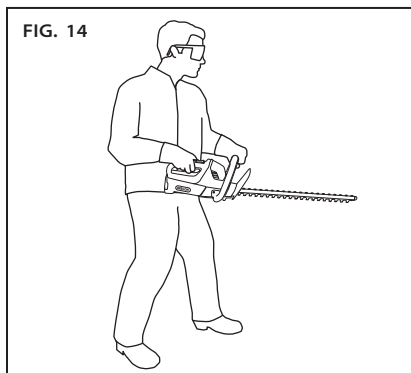
Tenez-vous debout, les pieds posés sur un sol ferme, tout en répartissant votre poids de façon égale sur chaque pied.

Ne vous penchez pas trop en avant et ne vous tenez pas sur une échelle, un escabeau ou dans toute position élevée qui n'est pas complètement sécurisée.



Tenez le taille-haie le plus près possible du corps pour en garder le contrôle (Fig. 14).

FIG. 14



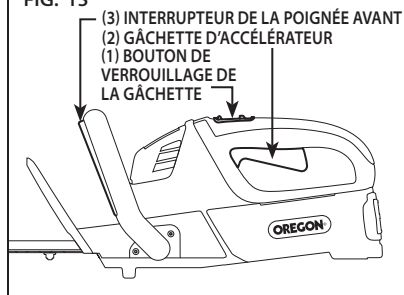
ARRÊT DU TAILLE-HAIE

Pour arrêter le taille-haie, relâchez la gâchette d'accélérateur.

DÉMARRAGE DU TAILLE-HAIE

Attrapez fermement les poignées avant et arrière. Tirez le bouton de verrouillage de la gâchette (1) vers l'arrière avec le pouce (Fig. 15). Appuyez sur la gâchette d'accélérateur (2) jusqu'à ce que les lames de coupe bougent à la vitesse désirée. L'interrupteur de la poignée avant (3) est une fonction de sécurité ; le taille-haie ne démarre pas s'il n'est pas activé.

FIG. 15



CONTRÔLE DE LA VITESSE DES LAMES DE COUPE

La gâchette d'accélérateur contrôle la vitesse à laquelle les lames de coupe oscillent. Appuyez plus fermement sur la gâchette d'accélérateur pour augmenter la vitesse de coupe.

Utilisez la pression minimum nécessaire pour couper le matériau. Cela permet d'augmenter le temps de coupe par charge de batterie et de réduire le nombre de charges requises.

COUPE DES HAIES

QUAND COUPER

la période idéale pour tailler les haies varie selon le type de plante, mais il est généralement conseillé de le faire lorsque la pousse est lente, après la fin de la floraison. Consultez une pépinière locale pour obtenir des astuces sur la taille de plantes spécifiques.

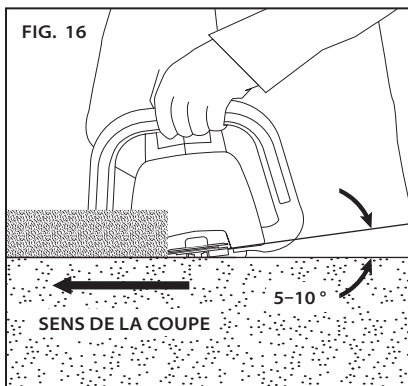
Respectez l'ensemble des règles et réglementations nationales et municipales applicables relatives à la coupe des haies.

COUPE DE BASE

⚠ AVERTISSEMENT : ASSUREZ-VOUS D'ÊTRE TOUJOURS STABLE ET DE TENIR FERMEMENT LE TAILLE-HAIE AVEC LES DEUX MAINS LORSQUE LE MOTEUR TOURNE.

Avant la coupe, vérifiez que la haie est exempte de tout corps étranger afin d'éviter d'endommager les lames. Retirez tout objet pouvant gêner la coupe.

Vérifiez la bonne adhérence de la poignée et votre position, puis démarrez le taille-haie. Tenez le taille-haie avec les lames de coupe inclinées entre 5 et 10 ° vers le sens de la coupe (Fig. 16).



IMPORTANT : PARFOIS, LES LAMES DE COUPE SE GRIPPENT ET ARRÊTENT DE BOUGER QUAND DES MATÉRIAUX SE LOGENT DANS LES LAMES OU SI CELLES-CI ENTRENT EN CONTACT AVEC UN CÂBLE OU UNE CLÔTURE MÉTALLIQUE. CONSULTEZ LA SECTION « CORRECTION DU GRIPPAGE DES LAMES » POUR SAVOIR COMMENT Y REMÉDIER.

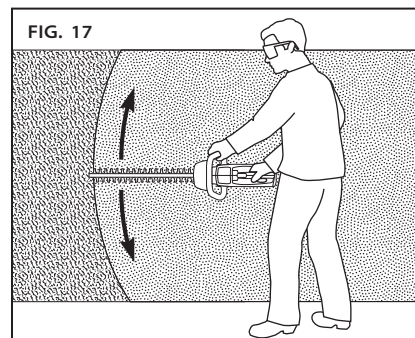
SÉQUENCE DE COUPE

Si la haie est bien formée, concentrez-vous sur la taille des nouvelles pousses jusqu'à ce que la haie ait la forme désirée.

Une fois les grandes branches retirées, utilisez le taille-haie pour tailler les côtés de la haie à la longueur souhaitée. Les côtés terminés, taillez le haut de la haie en dernier.

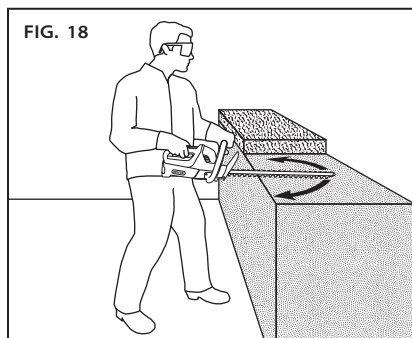
COUPE VERTICALE

Lorsque vous coupez les côtés de la haie, commencez en bas de celle-ci. Tenez le taille-haie avec les lames de coupe inclinées entre 5 et 10 ° vers le sens de la coupe. Passez le taille-haie le long du bord de la haie, en le déplaçant lentement de haut en bas en un grand arc de cercle (Fig. 17).



COUPE HORIZONTALE

Lorsque vous coupez le haut de la haie, commencez par l'extrémité la plus proche. Tenez le taille-haie avec les lames de coupe inclinées entre 5 et 10 ° vers le sens de la coupe. Passez le taille-haie le long du bord de la haie, en le déplaçant lentement de gauche à droite en un grand arc de cercle (Fig. 18).



Si le haut de la haie est trop large pour le couper en un seul passage du taille-haie, ne vous penchez pas sur la haie pour tailler le reste. Faites plutôt un passage d'un côté de la haie, puis coupez le reste en passant de l'autre côté de la haie.

CORRECTION DU GRIPPAGE DES LAMES

⚠ MISE EN GARDE : RETIREZ TOUJOURS LA BATTERIE AVANT DE NETTOYER LES LAMES DE COUPE AFIN D'ÉVITER TOUTE ACTIVATION ACCIDENTELLE DES LAMES.

⚠ MISE EN GARDE : LES LAMES DE COUPE SONT AFFÛTÉES. PORTEZ TOUJOURS DES GANTS LORSQUE VOUS RETIREZ DES MATÉRIAUX DES LAMES DE COUPE.

Si vous coupez des branches souples vertes, des copeaux peuvent parfois se loger entre les pièces mobiles des lames de coupe et la partie fixe. Quand cela arrive, les lames de coupe peuvent s'arrêter soudainement de bouger. Cela peut également se produire si les lames de coupe entrent en contact avec un matériau trop solide à couper, comme une clôture métallique. On appelle cet état le grippage des lames.

Suivez ces consignes pour retirer efficacement et en toute sécurité le matériau.

- Portez des gants.
- Retirez la batterie du taille-haie. Consultez la rubrique « Retrait de la batterie ».
- Retirez le matériau qui empêche les lames de coupe de bouger.

ENTRETIEN ET NETTOYAGE

TAILLE-HAIE

⚠ AVERTISSEMENT : CONTRÔLEZ LE TAILLE-HAIE. UNE INSPECTION RÉGULIÈRE EST LA PREMIÈRE ÉTAPE D'UN ENTRETIEN CORRECT. SUIVEZ LES CONSIGNES CI-DESSOUS POUR AUGMENTER LA SÉCURITÉ ET VOTRE NIVEAU DE SATISFACTION. REMPLACEZ IMMÉDIATEMENT TOUTE PIÈCE ENDOMMAGÉE OU TROP USÉE. NE PAS IDENTIFIER ET REMPLACER LES PIÈCES ENDOMMAGÉES OU USÉES PEUVENT ENTRAÎNER DE GRAVES BLESSURES CORPORELLES.

⚠ AVERTISSEMENT : ENLEVEZ LA BATTERIE DU TAILLE-HAIE AVANT L'INSPECTION, LE NETTOYAGE OU L'ENTRETIEN. UN OUTIL FONCTIONNANT SUR BATTERIE AVEC LA BATTERIE ENCLENCHÉE EST TOUJOURS SOUS TENSION ET PEUT DÉMARRER DE FAÇON ACCIDENTELLE.

⚠ MISE EN GARDE : LORSQUE VOUS NETTOYEZ LE TAILLE-HAIE, NE LE PLONGEZ PAS DANS L'EAU NI DANS TOUT AUTRE LIQUIDE.

NETTOYAGE DU TAILLE-HAIE

- Essuyez le taille-haie pour enlever la poussière, les feuilles et les copeaux.
- Dégagez les événements d'air pour garantir un débit d'air correct et empêcher toute surchauffe.
- Essuyez le bloc moteur à l'aide d'un chiffon propre et humidifié avec du savon doux et de l'eau.
- N'utilisez jamais de nettoyeurs corrosifs ni de solvants.

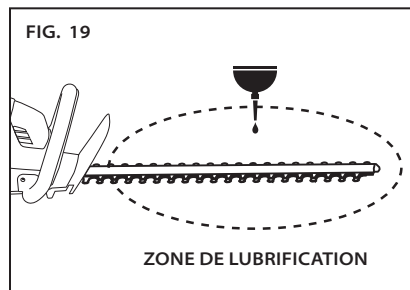
CONTRÔLE DES LAMES DE COUPE

Assurez-vous que les lames sont affûtées, n'ont pas d'entailles ni de bords émoussés et ne pendent pas ou n'attrapent rien lorsque vous utilisez le taille-haie. Limez régulièrement les entailles et bavures des lames pour garantir qu'elles bougent librement. Des lames affûtées et bougeant librement coupent plus facilement que des lames émoussées ou collantes.

ENTRETIEN DES LAMES

Lorsque vous coupez des haies dans des zones présentant beaucoup de sève ou de poussière, l'accumulation des deux peut parfois rendre les lames collantes. Pour empêcher cela, nettoyez les lames avec une fine couche de lubrifiant à base de silicone liquide appliquée uniquement sur la zone de lubrification des lames de coupe (Fig. 19), puis activez brièvement les lames pour répartir le lubrifiant de façon uniforme.

IMPORTANT : NE LAISSEZ PAS LE LUBRIFIANT COULER À L'INTÉRIEUR DU CORPS DU TAILLE-HAIE. N'UTILISEZ JAMAIS DE NETTOYANTS DÉGRAISSANTS NI DE PRODUITS À REFOULEMENT D'EAU EN AÉROSOL. NE LUBRIFIEZ PAS TROP.



CONTRÔLE DE LA PROTECTION DE LA POINTE

Si une protection de la pointe est installée, assurez-vous qu'elle n'est pas tordue ou cassée. Une protection de pointe tordue peut empêcher le mouvement libre des lames de coupe. Si la protection de pointe est tordue ou cassée, faites-la remplacer par un réparateur agréé.

INSTALLATION DU COUVRE-LAME

Glissez le couvre-lame sur les lames de coupe pour qu'elles restent propres et pour les empêcher d'accrocher ou de couper des personnes ou des objets.

CONTRÔLE DES POIGNÉES

Assurez-vous que les poignées avant et arrière sont propres, sèches et ne comportent aucune craquelure ni autre défaut. Si une poignée endommagée se casse durant l'utilisation, cela peut entraîner de graves blessures corporelles.

CONTRÔLE DU PORT DE BATTERIE

Assurez-vous que le port de batterie est propre, sec et n'est pas obstrué par des débris. La présence de débris dans le port de batterie peut compromettre la qualité de la connexion électrique entre la batterie et le taille-haie.

BATTERIE

⚠ AVERTISSEMENT : LA BATTERIE NE CONTIENT AUCUNE PIÈCE POUVANT ÊTRE RÉPARÉE PAR L'UTILISATEUR. NE LA DÉMONTEZ PAS.

Les batteries au lithium-ion ont un temps de fonctionnement prédéfini. Si le temps de coupe par charge diminue considérablement, cela signifie que la batterie arrive en fin de vie et doit être remplacée.

- Assurez-vous que la batterie, y compris les connecteurs, est propre, sèche et exempte de trou, d'impact ou d'autre défaut. Une batterie cassée peut provoquer des incendies ou libérer des produits chimiques dangereux.
- Nettoyez les connecteurs sales à l'aide d'un chiffon doux et sec. La poussière ou l'huile peut entraîner une mauvaise connexion électrique, causant ainsi une perte de puissance.

CHARGEUR

- Débranchez le chargeur de la prise de courant.
- Nettoyez les connecteurs sales à l'aide d'un chiffon doux et sec.

DÉPANNAGE

Utilisez le tableau suivant pour obtenir des solutions éventuelles en cas de problème avec le taille-haie. Si ces propositions ne résolvent pas le problème, consultez la section « Informations sur l'entretien et l'assistance ».

CONSTAT	CAUSE ÉVENTUELLE	MESURES RECOMMANDÉES
Le moteur ne démarre pas ou démarre de façon intermittente.	Batterie déchargée	Rechargez la batterie. Consultez la section « Chargement de la batterie ».
	Interrupteur de la poignée avant ou bouton de verrouillage de la gâchette non activé	Saisissez l'interrupteur de la poignée avant et tirez le bouton de verrouillage de la gâchette vers l'arrière avant d'appuyer sur la gâchette d'accélérateur. Consultez la section « Démarrage du taille-haie ».
	La batterie n'est pas enclenchée correctement.	Enfoncez la batterie dans le port de batterie jusqu'à entendre un clic indiquant que la batterie est enclenchée.
	Connecteurs de la batterie sales	Retirez la batterie, enlevez les débris qui se trouvent dans le port de batterie, puis nettoyez les connecteurs avec un chiffon propre et sec.
	Batterie froide	Laissez la batterie se réchauffer jusqu'à la température minimale de fonctionnement de 0 °C (32 °F).
Le moteur est en marche, mais les lames de coupe ne bougent pas	Un objet empêche les lames de coupe de bouger	Consultez la section « Correction du grippage des lames ».
Le taille-haie ne coupe pas correctement	Une accumulation de résine empêche les lames de coupe de bouger	Consultez la section « Entretien des lames ».
	Les lames de coupe sont émoussées	Faites affûter les lames de coupe par un professionnel.
La batterie ne se charge pas	La protection de la batterie contre les températures trop basses/élevées est activée	Cela peut se produire lorsque le taille-haie fonctionne en continu ou est exposé à une température ambiante élevée. Laissez la batterie redescendre à une température acceptable avant de la mettre en charge. Consultez la section « Chargement de la batterie ».
	Les connecteurs de la batterie ou du chargeur sont sales ou endommagés	Vérifiez les connecteurs de la batterie et du chargeur. Nettoyez tel que décrit dans la section « Entretien et nettoyage », puis réinsérez le chargeur et assurez-vous qu'il soit bien enclenché.
	La batterie est en fin de vie	Toutes les batteries ont une durée de vie limitée. Si la batterie a plus de deux ans ou si elle a été fréquemment rechargée, il est peut-être temps de la remplacer. Remplacez-la uniquement par la batterie indiquée pour ce taille-haie.
	Chargeur défectueux	Faites vérifier son fonctionnement chez un réparateur agréé.

CONSTAT	CAUSE ÉVENTUELLE	MESURES RECOMMANDÉES
Temps de coupe faible pour chaque charge de batterie	Les lames de coupe sont émoussées	Faites affûter les lames de coupe par un professionnel.
	Lames de coupe usées	Faites remplacer les lames de coupe chez un réparateur agréé.
	Lames de coupe tordues	Faites remplacer les lames de coupe chez un réparateur agréé.
	Mauvaise technique de coupe	Suivez les instructions de la section « Coupe de base ».
	Vitesse de coupe plus élevée que nécessaire	Appliquez moins de pression sur la gâchette d'accélérateur.
	Une accumulation de résine empêche les lames de coupe de bouger	Consultez la section « Entretien des lames ».
	La batterie n'est pas à pleine charge	Consultez la section « Chargement de la batterie ».
L'indicateur d'état de charge clignote en orange	Court-circuit du chargeur, surintensité du chargeur, surtension, circuit ouvert sur la batterie ou erreur de temporisation de charge/pré-charge	<ol style="list-style-type: none"> 1. Assurez-vous que le câble du chargeur est raccordé au chargeur et à la prise de courant. 2. Assurez-vous que le chargeur reçoit une tension correcte. 3. Essayez de charger une autre batterie conçue pour ce chargeur. <p>Si cela ne permet pas de résoudre le problème, faites vérifier le fonctionnement chez un réparateur agréé.</p>

GARANTIE ET ENTRETIEN

GARANTIE

Blount, Inc. garantit tous les outils à batterie, les batteries et les chargeurs enregistrés chez OREGON® pour une période de deux (2) ans à compter de la date d'achat initial et d'un (1) an s'ils sont utilisés dans un cadre commercial. Cette garantie limitée s'applique aux produits fabriqués par OREGON® Cordless Tool System. Pendant la période de garantie, Blount remplacera ou décidera de réparer, sans frais, et uniquement pour l'acheteur initial, tout produit ou pièce qui, après avoir été examiné par Blount, révèle un défaut de matériel et/ou de main-d'œuvre. Les frais de transport sont à la charge de l'acheteur ainsi que tous frais de remplacement de pièce soumise à la présente garantie.

CONSERVEZ LE REÇU ORIGINAL

Veillez joindre le reçu original de l'achat initial à ce manuel et ce dossier Pour un entretien sous garantie, veuillez apporter le produit et le reçu au revendeur chez lequel le produit a été acheté. Ou contactez-nous à l'aide des coordonnées fournies dans la section « Service après-vente par pays ».

INFORMATIONS SUR L'ENTRETIEN ET L'ASSISTANCE

Pour plus d'informations sur le service après-vente, consultez notre site Web à l'adresse **OregonCordless.com**. Vous pouvez également contacter notre service client pour obtenir de l'aide, des conseils techniques supplémentaires, une réparation ou des pièces de rechange. Pour connaître les numéros de téléphone propres à chaque pays, consultez la section « Service après-vente par pays ».

Pour votre sécurité, n'utilisez que des pièces de rechange pour outil électrique fabriquées dans nos ateliers. Le personnel de notre service après-vente a été formé pour vous fournir un soutien et une assistance efficaces en matière de réglage, réparation ou remplacement de tous les produits de l'OREGON® Cordless Tool System.

DÉCLARATION DE CONFORMITÉ « CE »

Blount International Inc. 4909 SE International Way, Portland Oregon, 97222 États-Unis

DÉCLARE QUE LE(S) PRODUIT(S) SUIVANT(S) :

Modèle(s) de taille-haie à batterie :

HT255

Chargeur de batterie C600

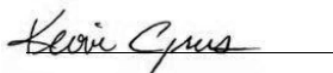
SONT CONFORMES AUX DIRECTIVES ET NORMES EUROPÉENNES SUIVANTES :

DIRECTIVES CE :

DIRECTIVE « MACHINES » 2006/42/EC

REPRÉSENTANT DE LA SOCIÉTÉ :

**CONTACT POUR LES DOSSIERS
TECHNIQUES EUROPÉENS :**



Kevin Cyrus
Responsable – Sécurité & conformité
des produits
Blount International Inc.
Portland OR 97222 États-Unis

M. Marnix Kuypers
Blount International-Europe-S. A.
Rue Emile Francqui, 5
B 1435 Mont-Saint-Guibert
Belgique













DATE/LIEU :

10 juillet 2012, Portland, Oregon, États-Unis

INHALTSVERZEICHNIS

SYMBOLS UND BESCHRIFTUNGEN	51
SICHERHEITSREGELN.	52
ALLGEMEINE SICHERHEITSHINWEISE FÜR ELEKTROWERKZEUGE	52
SICHERHEIT IM ARBEITSBEREICH.	52
ELEKTRISCHE SICHERHEIT	52
PERSÖNLICHE SICHERHEITSVORKEHRUNGEN	53
GEBRAUCH UND PFLEGE VON ELEKTROGERÄTEN.	54
GEBRAUCH UND PFLEGE VON AKKU-WERKZEUGEN	54
WARTUNG	54
SICHERHEITSHINWEISE ZUR HECKENSCHERE	54
LAGERUNG, TRANSPORT UND ENTSORGUNG	55
SICHERHEIT DES LADEGERÄTS	57
PRODUKTBESCHREIBUNG	58
TECHNISCHE DATEN UND KOMPONENTEN	59
BEZEICHNUNGEN UND BEGRIFFE DER HECKENSCHERE.	60
BETRIEB DER HECKENSCHERE.	61
AUSPACKEN	61
AKKUPACK UND LADEGERÄT	61
ALLGEMEINER BETRIEB	63
HECKEN SCHNEIDEN	65
WARTUNG UND REINIGUNG.	67
HECKENSCHERE	67
AKKUPACK	68
LADEGERÄT	68
FEHLERBEHEBUNG	69
GARANTIE UND SERVICE	71
EG-KONFORMITÄTSERKLÄRUNG.	72
KUNDENDIENST INTERNATIONAL	418

SYMBOLS UND BESCHRIFTUNGEN

SYMBOL	NAME	BESCHREIBUNG
	BAUART KLASSE II	GEKENNZEICHNETE DOPPELT ISOLIERTE BAUWERKZEUGE
	SICHERHEITSWARNSYMBOL	WEIST DARAUF HIN, DASS DER NACHSTEHENDE TEXT EINE GEFAHR, WARNUNG ODER VORSICHTSMASSNAHME ERKLÄRT.
	ANLEITUNG LESEN	DIE ORIGINALANLEITUNG ENTHÄLT WICHTIGE INFORMATIONEN ZUR SICHERHEIT UND ZUM BETRIEB. DIE ANWEISUNGEN SORGFÄLTIG LESEN UND VERSTEHEN.
	AUGENSCHUTZ TRAGEN	TRAGEN SIE EINEN AUGENSCHUTZ, WENN SIE MIT DER HECKENSCHERE ARBEITEN.
	HANDSCHUTZ TRAGEN	BEI BETRIEB DER HECKENSCHERE UND IM UMGANG MIT DEM MESSER HANDSCHUHE TRAGEN.
	SCHALLLEISTUNGSPEGEL	DER SCHALLLEISTUNGSPEGEL BETRÄGT 74 DB.
	ZWEIHÄNDIGES HALTEN	HALTEN SIE DIE HECKENSCHERE MIT BEIDEN HÄNDEN.
	EINHÄNDIGES HALTEN	HALTEN SIE DIE HECKENSCHERE NICHT MIT EINER HAND.
	NICHT VERBRENNEN	NICHT IM FEUER ENTSORGEN.
	NICHT ENTSORGEN	DAS GERÄT NICHT IM HAUSMÜLL ENTSORGEN. ÜBERGEBEN SIE ES EINEM AUTORISIERTEN RECYCLINGUNTERNEHMEN.
	BENUTZEN SIE DAS GERÄT NICHT BEI REGEN	DAS LADEGERÄT NICHT IN FEUCHTEN UMGEBUNGEN BETREIBEN.
	NUR FÜR DEN EINSATZ IM INNENBEREICH	NUR FÜR EINEN EINSATZ IM INNENBEREICH VORGESEHEN.
	NETZTEIL KONTROLLIEREN	KONTROLLIEREN SIE NETZTEIL UND NETZKABEL REGELMÄSSIG AUF BESCHÄDIGUNGEN.
	BETRIEBSTEMPERATUR	DEN AKKUPACK NUR BEI TEMPERATUREN ZWISCHEN 0 °C UND 40 °C VERWENDEN.
	SCHNEIDWERKZEUG	SCHNEIDWERKZEUG. BERÜHREN SIE DAS MESSER ERST, NACHDEM DAS GERÄT DURCH ENTFERNEN DES AKKUPACKS DEAKTIVIERT WURDE.

EINFÜHRUNG

Die Heckenschere ist bestimmt zum regelmäßigen Schneiden von Hecken und Büschen. Sie ist nicht geeignet zum Schneiden von Ästen mit einem Durchmesser von mehr als 19 mm. Andere Verwendungszwecke können zu Verletzungen führen und sind nicht gestattet.

SICHERHEITSGESAMT

ALLGEMEINE SICHERHEITSHINWEISE FÜR ELEKTROWERKZEUGE

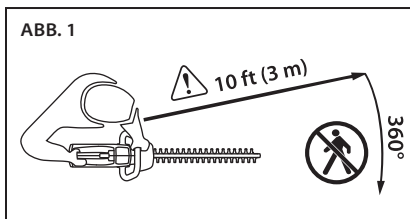
⚠ WARNHINWEIS: ALLE SICHERHEITSHINWEISE UND ANWEISUNGEN LESEN UND VERSTEHEN. DAS NICHTBEACHTEN DER WARNHINWEISE UND ANWEISUNGEN KANN ZU STROMSCHLAG, BRAND UND/ODER SCHWEREN VERLETZUNGEN FÜHREN.



ALLE WARNHINWEISE UND ANWEISUNGEN FÜR ZUKÜNFTIGEN GEBRAUCH AUFBEWAHREN. DER BEGRIFF „ELEKTROWERKZEUG“ IN DEN WARNHINWEISEN BEZIEHT SICH AUF ELEKTROWERKZEUGE, DIE AM STROMNETZ (MIT KABEL) ODER AUCH MIT EINEM AKKU (KABELLOS) BETRIEBEN WERDEN.

SICHERHEIT IM ARBEITSBEREICH

- Halten Sie den Arbeitsbereich sauber und sorgen Sie für gute Beleuchtung. *Unordnung oder unbeleuchtete Arbeitsbereiche können zu Unfällen führen.*
- Betreiben Sie Elektrowerkzeuge nicht in explosionsgefährdeten Bereichen, wie z. B. in der Nähe von brennbaren Flüssigkeiten, Gasen oder Staub. *Elektrowerkzeuge erzeugen Funken, die den Staub oder die Dämpfe entzünden könnten.*
- Halten Sie Kinder und umstehende Personen während des Betriebs von Elektrowerkzeugen fern (Abb. 1). *Ablenkungen können dazu führen, dass Sie das Gerät nicht mit der erforderlichen Aufmerksamkeit bedienen.*



⚠ ACHTUNG: BILDEN SIE EINE SICHERHEITSGEITZE FÜR UMSTEHENDE PERSONEN MIT EINEM RADIUS VON 3 METERN, BEVOR SIE DIESES GERÄT BEDIENEN. Die Sicherheitszone besteht aus einem Kreis mit einem Radius von 3 m um den Bediener, in dem sich keine umstehenden Personen, Kinder und Haustiere aufhalten dürfen.

ELEKTRISCHE SICHERHEIT

- Die Stecker des Elektrowerkzeugs müssen zur Steckdose passen. Der Stecker darf in keiner Weise verändert werden. Es dürfen keine Adapterstecker mit dem geerdeten Elektrowerkzeug zusammen verwendet werden. *Original-Stecker und dazu passende Steckdosen verringern die Stromschlaggefahr.*
- Vermeiden Sie Körperkontakt mit geerdeten Oberflächen, wie Rohren, Heizkörpern, Herden und Kühlschränken. *Es besteht ein erhöhtes Risiko von Stromschlägen, wenn Ihr Körper geerdet ist.*
- Elektrowerkzeuge nicht bei Regen oder in feuchten Umgebungen verwenden. *Dringt Wasser in das Gehäuse eines Elektrowerkzeugs ein, besteht erhöhte Stromschlaggefahr.*
- Das Kabel nicht missbräuchlich verwenden. Das Kabel niemals zum Tragen, Ziehen oder Trennen des Elektrowerkzeugs von der Steckdose verwenden. Das Kabel von Wärmequellen, Öl, scharfen Kanten und beweglichen Teilen fernhalten. *Beschädigte oder verwickelte Kabel erhöhen die Stromschlaggefahr.*
- Wird ein Elektrowerkzeug im Freien betrieben, ist ein dafür geeignetes Verlängerungskabel zu verwenden. *Der Gebrauch eines Kabels, das für den Einsatz im Freien geeignet ist, verringert die Stromschlaggefahr.*

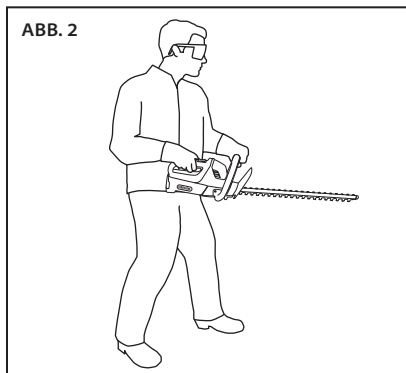
- Wenn sich der Betrieb des Elektrowerkzeugs an einem feuchten Ort nicht vermeiden lässt, eine Stromversorgung mit einem FI-Schutzschalter verwenden. Der Einsatz eines FI-Schalters reduziert die Stromschlaggefahr.
- Ziehen Sie sofort den Stecker aus der Steckdose, wenn das Kabel beschädigt oder durchtrennt ist.

PERSÖNLICHE SICHERHEITSVORKEHRUNGEN



- Bleiben Sie aufmerksam, führen Sie Ihre Handlungen mit Bedacht aus und wenden Sie gesunden Menschenverstand bei der Bedienung des Elektrowerkzeugs an. Arbeiten Sie nicht mit Elektrowerkzeugen, wenn Sie müde sind oder unter dem Einfluss von Drogen, Alkohol oder Medikamenten stehen. Ein Moment der Unachtsamkeit beim Gebrauch von Elektrowerkzeugen kann zu schweren Verletzungen führen.
- Verwenden Sie persönliche Schutzausrüstung. Tragen Sie stets einen Augenschutz. Schutzausrüstungen, wie Staubmaske, rutschfeste Sicherheitsschuhe, Schutzhelm oder Gehörschutz für die entsprechenden Einsatzbedingungen verringern das Verletzungsrisiko.
- Vermeiden Sie das versehentliche Starten des Gerätes. Stellen Sie sicher, dass sich der Schalter des Geräts in der Stellung „Aus“ befindet, bevor Sie es an das Stromnetz und/oder den Akkupack anschließen, es aufheben oder tragen. Das Tragen von Elektrowerkzeugen mit dem Finger am Ein-/Ausschalter oder die Herstellung der Verbindung zur Stromversorgung mit dem Schalter in der Stellung „Ein“ kann zu Unfällen führen.
- Entfernen Sie Einstellwerkzeuge oder Schraubenschlüssel vor dem Einschalten des Elektrowerkzeugs. Ein Werkzeug oder Schlüssel, der sich in einem drehenden Teil des Elektrowerkzeugs befindet, kann zu Verletzungen führen.

- Nicht oberhalb der Schulterhöhe schneiden. Bewahren Sie jederzeit einen sicheren Stand und das Gleichgewicht (Abb. 2). Dies ermöglicht eine bessere Kontrolle über die Heckenschere in unerwarteten Situationen.



- Tragen Sie geeignete Kleidung. Keine weite Kleidung oder Schmuck tragen. Haare, Kleidung und Handschuhe von beweglichen Teilen fernhalten. Lockere Kleidung, Schmuck oder lange Haare können von sich bewegenden Teilen erfasst werden.
- Wenn Zusatzelemente für den Anschluss von Staubabscheidung und Staubfang vorhanden sind, stellen Sie sicher, dass diese ordnungsgemäß angeschlossen und verwendet werden. Die Verwendung eines Entstaubungssystems kann staubbedingte Gefahren mindern.
- Es wurde berichtet, dass längerer Gebrauch von Elektrowerkzeugen zu Gefäß-, Muskel- oder neurologischen Erkrankungen führt (wie z. B. durch Vibrationen verursachte Durchblutungsstörungen der Finger, auch als Raynaud-Syndrom bezeichnet). Folgen Sie den folgenden Anweisungen, um das Risiko von Verletzungen zu verringern:
 - Tragen Sie Handschuhe und halten Sie Hände und Körper warm.
 - Halten Sie die Heckenschere mit festem Griff, aber üben Sie keinen längeren, übermäßigen Druck aus.
 - Legen Sie regelmäßige Pausen ein.

Die Vibrationen bei normaler Verwendung können von den angegebenen Werten abweichen. Dies ist abhängig von Schnittgut, Wartung der Schneidelemente und anderen Faktoren.

GEBRAUCH UND PFLEGE VON ELEKTROGERÄTEN

- Üben Sie keine Gewalt auf das Elektrowerkzeug aus. Verwenden Sie das für die jeweilige Anwendung richtige Elektrowerkzeug. *Das richtige Elektrowerkzeug führt die Aufgabe besser, sicherer und in der Geschwindigkeit aus, für die sie konzipiert wurde.*
- Verwenden Sie das Elektrowerkzeug nicht, wenn es nicht mit dem Schalter ein- und ausgeschaltet werden kann. *Ein Elektrowerkzeug, das nicht mit dem Schalter betätigt werden kann, ist gefährlich und muss repariert werden.*
- Trennen Sie den Stecker von der Steckdose und/oder nehmen Sie den Akkupack aus dem Elektrowerkzeug, bevor Sie Einstellungen ändern, Zubehör wechseln oder das Elektrowerkzeug lagern. *Durch diese präventiven Sicherheitsmaßnahmen wird das Risiko reduziert, dass das Werkzeug versehentlich gestartet wird.*



- Bewahren Sie unbenutzte Elektrowerkzeuge außerhalb der Reichweite von Kindern auf und lassen Sie Personen, die mit dem Elektrowerkzeug oder den vorliegenden Anweisungen nicht vertraut sind, das Gerät nicht bedienen. *Elektrowerkzeuge sind in den Händen unerfahrener Bedienpersonen gefährlich.*
- Elektrowerkzeuge warten Achten Sie auf fehlerhafte Ausrichtung oder Klemmen der beweglichen Teile, Bruchstellen an Teilen und sonstige Zustände, die den Betrieb des Elektrowerkzeugs beeinträchtigen können. Bei Beschädigungen das Elektrowerkzeug vor Gebrauch reparieren lassen. *Viele Unfälle werden durch schlecht gewartete Elektrowerkzeuge verursacht.*
- Halten Sie Schneidwerkzeuge scharf und sauber. *Sorgfältig gewartete Schneidwerkzeuge mit scharfen Schneidkanten verklemmen sich weniger häufig und sind leichter zu kontrollieren.*
- Verwenden Sie das Elektrowerkzeug, Zubehör, Einsatzwerkzeuge usw. entsprechend diesen Anweisungen, und berücksichtigen Sie die Arbeitsbedingungen sowie die auszuführende Tätigkeit. *Die Nutzung des Elektrowerkzeugs für andere als die vorgesehenen Anwendungen kann zu gefährlichen Situationen führen.*

GEBRAUCH UND PFLEGE VON AKKU-WERKZEUGEN

- Nur mit dem vom Hersteller angegebenen Ladegerät laden. *Ein Ladegerät, das für einen bestimmten Akkupack-Typ geeignet ist, kann Brandgefahr verursachen, wenn es mit anderen Akkupacks verwendet wird.*
- Verwenden Sie für Elektrowerkzeuge nur die dafür vorgesehenen Akkupacks. *Der Gebrauch von anderen Akkupacks kann Verletzungs- und Brandgefahr verursachen.*
- Wird der Akkupack nicht verwendet, ist er von Metallobjekten wie Büroklammern, Münzen, Schlüsseln, Nägeln, Schrauben oder anderen kleinen metallischen Gegenständen fernzuhalten, die eine Überbrückung der Anschlussklemmen verursachen könnten. *Ein Kurzschluss zwischen den Akkukontakten kann Verbrennungen oder einen Brand verursachen.*
- Bei falscher Anwendung kann Flüssigkeit aus dem Akku austreten. Den Kontakt vermeiden. Bei zufälliger Berührung mit Wasser abspülen. Wenn die Augen mit der Flüssigkeit in Berührung kommen, nehmen Sie zusätzlich ärztliche Hilfe in Anspruch. *Aus dem Akku austretende Flüssigkeit kann zu Hautreizungen oder Verbrennungen führen.*

WARTUNG

Lassen Sie das Elektrowerkzeug nur von qualifiziertem Fachpersonal und nur mit Originalersatzteilen warten. Dadurch wird die Sicherheit des Elektrowerkzeugs gewährleistet.

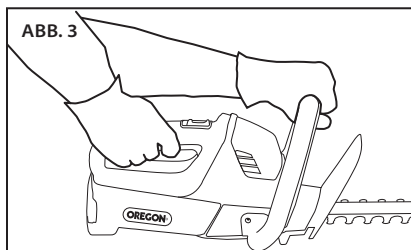
SICHERHEITSHINWEISE ZUR HECKENSCHERE



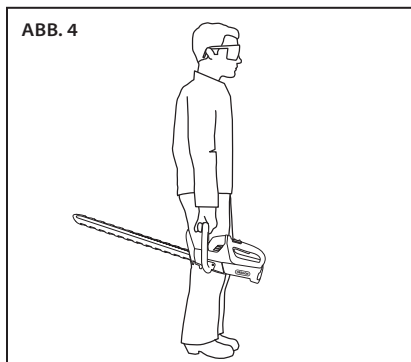
⚠ GEFAHR: HÄNDE NICHT AN DAS MESSER HALTEN. EIN KONTAKT MIT DEM MESSER HAT SCHWERE VERLETZUNGEN ZUR FOLGE.

⚠ WARNHINWEIS: HECKENSCHERE NUR MIT ORDNUNGSGEMÄSS MONTIERTEM GRIFF UND HANDSCHUTZ VERWENDEN. DIE VERWENDUNG DER HECKENSCHERE OHNE MITGELIEFERTEM GRIFF UND HANDSCHUTZ KANN SCHWERE VERLETZUNGEN ZUR FOLGE HABEN.

- Verwenden Sie beide Hände zur Bedienung der Heckenschere. Durch eine einhändige Bedienung können Sie Kontrolle über die Heckenschere verlieren, was zu schweren Verletzungen führen kann (Abb. 3).



- Alle Teile des Körpers vom Messerbalken fernhalten. Entfernen Sie bei laufendem Betrieb das Schnittgut nicht und halten Sie das zu schneidende Material nicht fest. Entfernen Sie eingeklemmtes Schnittgut nur bei ausgeschaltetem Gerät. Nach dem Ausschalten rotieren die Messer nach. Ein Moment der Unachtsamkeit beim Gebrauch der Heckenschere kann zu schweren Verletzungen führen.
- Tragen Sie die Heckenschere am Griff bei stillstehendem Messer (Abb. 4). Bei Transport oder Aufbewahrung der Heckenschere stets die Schutzabdeckung aufziehen. Sorgfältiger Umgang mit der Heckenschere verringert die Verletzungsgefahr durch das Messer.



- Halten Sie das Elektrowerkzeug nur an den isolierten Griffflächen, da das Schneidmesser in Berührung mit verborgenen Stromleitungen oder dem eigenen Stromkabel kommen kann. Der Kontakt des Messers mit einer spannungsführenden Leitung kann Geräteteile aus Metall unter Strom setzen und dem Bediener einen elektrischen Schlag versetzen.
- Diese Heckenschere kann nicht vom Benutzer gewartet werden. Der Austausch der Messer, Wartungs- und Reparaturarbeiten erfordern eine spezielle Schulung. Kontaktinformationen finden Sie im Abschnitt „Informationen zu Wartung und Kundendienst“.

LAGERUNG, TRANSPORT UND ENTSORGUNG

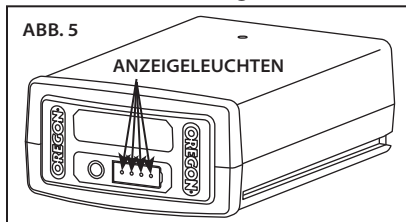
LAGERUNG DER HECKENSCHERE

- Messer mit Schmieröl einsprühen. Weitere Informationen finden Sie unter „Wartung und Reinigung“.
- Entfernen Sie den Akkupack aus der Heckenschere.
- Führen Sie eine gründliche Reinigung der Heckenschere durch.
- Ziehen Sie den Messerschutz auf.
- Lagern Sie das Gerät an einem trockenen Ort.
- Außerhalb der Reichweite von Kindern oder Haustieren lagern.

LAGERUNG DES AKKUPACKS

Soll der Akkupack länger als 9 Monate gelagert werden, beachten Sie die folgenden Anweisungen:

- Entfernen Sie den Akkupack aus der Heckenschere oder dem Ladegerät.
- Lagern Sie ihn an einem kühlen und trockenen Ort.
- Außerhalb der Reichweite von Kindern oder Haustieren lagern.
- Um die Lebensdauer des Akkus zu verlängern, Akkupacks niemals in vollständig entladenen Zustand lagern. (Abb. 5).



- Bei Temperaturen zwischen $-20\text{ }^{\circ}\text{C}$ und $30\text{ }^{\circ}\text{C}$ lagern.



LAGERUNG DES LADEGERÄTS

- Entfernen Sie den Akkupack aus dem Ladegerät.
- Ladegerät vom Stromnetz trennen.
- Lagern Sie das Gerät an einem trockenen Ort.
- Außerhalb der Reichweite von Kindern oder Haustieren lagern.

Weitere Informationen finden Sie unter „Wartung und Reinigung“.

TRANSPORT DER HECKENSCHERE

Vorbereiten der Heckenschere auf den Versand wie im Abschnitt „Lagerung der Heckenschere“ beschrieben.

TRANSPORT DES AKKUPACKS

Die jeweils geltenden nationalen Vorschriften für den Versand von Lithium-Ionen-Batterien beachten, obligatorische Kennzeichnung kann erforderlich sein.

ENTSORGUNG VON HECKENSCHERE UND LADEGERÄT

Für die Konstruktion und Herstellung dieses OREGON®-Produkts wurden qualitativ hochwertige Materialien und Komponenten verwendet, die recycelt und wiederverwendet werden können. Nach Ablauf der Produktlebensdauer und entsprechend der Richtlinie 2002/95/EG sollte das Elektrogerät vom Hausmüll getrennt entsorgt werden. In der Europäischen Union gibt es separate Sammelsysteme für gebrauchte Elektrik- und Elektronikprodukte. Bitte entsorgen Sie dieses Gerät auf umweltgerechte Weise in Ihrer lokalen Abfallsammelstelle bzw. in einem Recyclingzentrum.

ENTSORGUNG DES AKKUPACKS

Den Akkupack nicht im normalen Hausmüll entsorgen. Den Akkupack nicht verbrennen. Lokale Abfallsammelstellen und Recyclingunternehmen verfügen über Informationen zur ordnungsgemäßen Entsorgung oder zum Recycling entsprechend der Umweltgesetzgebung.



AKKU-SICHERHEIT

⚠ GEFAHR: DIE NICHTBEACHTUNG DIESER SICHERHEITSGESETZE KANN DAS AUSTRETEN GEFÄHRLICHER CHEMIKALIEN AUS DEM AKKUPACK, SOWIE ÜBERHITZUNG, RAUCHABGABE, EXPLOSION UND/ODER ENTZÜNDUNG DES AKKUPACKS VERURSACHEN.

⚠ ACHTUNG: DEN AKKUPACK NICHT IM NORMALEN HAUSMÜLL ENTSORGEN ODER VERBRENNEN. LITHIUM-IONEN-AKKUPACKS MÜSSEN BEI EINEM AUTORISIERTEN RECYCLINGUNTERNEHMEN VOR ORT ABGEBEN WERDEN.

⚠ ACHTUNG: SETZEN SIE DEN AKKUPACK NICHT STARKER HITZE AUS, WIE SIE Z. B. IM INNEREN VON FAHRZEUGEN BEI HOHEN AUSSENTEMPERATUREN AUFTRITT. DADURCH KANN EIN VERLUST DER LEISTUNGSFÄHIGKEIT UND/ODER EINE VERKÜRZUNG DER NUTZUNGSDAUER VERURSACHT WERDEN. VERSUCHEN SIE NICHT, EINEN NICHT WIEDERAUFLADBAREN AKKUPACK ZU LADEN.

- Den Akkupack nicht auseinanderbauen oder versuchen zu reparieren. Dadurch können Sicherheitsfunktionen beeinträchtigt werden.
- Verbinden Sie die positive (+) und negative (-) Anschlussklemme nicht mit Metallgegenständen und lagern Sie den Akkupack nicht zusammen mit Metallgegenständen wie z. B. Münzen oder Schrauben. Dadurch kann ein Kurzschluss auftreten und die dabei entstehende Wärme kann einen Brand verursachen.

- Verbrennen Sie den Akkupack nicht und setzen Sie ihn keiner großen Hitze aus. Dies kann zum Schmelzen der Isolierung oder zur Beeinträchtigung von Sicherheitsfunktionen führen.
- Verwenden, laden oder lagern Sie den Akkupack nicht in der Nähe von Temperaturen über 80 °C. Dadurch können Überhitzung und/oder interne Kurzschlüsse auftreten.
- Den Akkupack nicht extrem nassen Bedingungen aussetzen. Feuchtigkeit kann Sicherheitsfunktionen beeinträchtigen, extrem hohe Ströme und Spannungen verursachen und zu anormalen chemischen Reaktionen führen.
- Verwenden Sie nur das speziell für den Akkupack konzipierte Ladegerät und beachten Sie die für das Ladegerät angegebenen Sicherheitsvorkehrungen im Abschnitt „Sicherheit des Ladegeräts“. Die Verwendung eines anderen Ladegeräts kann Sicherheitsfunktionen beeinträchtigen, extrem hohe Ströme und Spannungen verursachen und zu anormalen chemischen Reaktionen führen.
- Mit OREGON® bezeichnete Akkupacks dürfen nur in Geräten verwendet werden, die von OREGON® stammen.
- Nicht auf den Akkupack schlagen, ihn durchbohren oder werfen und keine beschädigten oder deformierten Akkupacks verwenden.
- Gelingt die Wiederaufladung nicht, versuchen Sie nicht nochmals, den Akkupack zu laden. Wenn der Akkupack während des Gebrauchs, des Ladens oder der Lagerung Geruch abgibt, Wärme erzeugt, sich verfärbt oder verformt oder anderweitig abnorm erscheint, muss er sofort aus der Heckenschere bzw. dem Ladegerät entfernt werden.
- Jede aus dem Akku austretende Flüssigkeit ist korrosiv, kann Augen und Haut angreifen und bei Verschlucken als Gift wirken.

SICHERHEIT DES LADEGERÄTS

WICHTIGE SICHERHEITSHINWEISE

⚠ ACHTUNG: DIESES GERÄT IST NICHT FÜR DIE VERWENDUNG DURCH PERSONEN (EINSCHLIESSLICH KINDERN) MIT EINGESCHRÄNKTEN PHYSISCHEN, SENSORISCHEN ODER MENTALEN FÄHIGKEITEN

ODER FEHLENDEN KENNTNISSEN VORGESEHEN, ES SEI DENN, DIESE WERDEN DURCH EINE FÜR IHRE SICHERHEIT ZUSTÄNDIGE PERSON BEAUFSICHTIGT ODER ANGELEITET. KINDER SOLLTEN BEAUFSICHTIGT WERDEN, UM SICHERZUSTELLEN, DASS SIE NICHT MIT DEN GERÄTEN SPIELEN.

⚠ WARNHINWEIS: STROMSCHLAGGEFAHR. BEI EINER VERWENDUNG IM FREIEN NUR AN EINE ABGEDECKTE UND DURCH EINEN FISCHUTZSCHALTER TYP A GESICHERTE STECKDOSE ANSCHLIESSEN, AN DIE DIE STROMVERSORGUNG WETTERFEST ANGEGLOSSEN WERDEN KANN. IST EINE SOLCHE STECKDOSE NICHT VORHANDEN, WENDEN SIE SICH ZUR ORDNUNGSGEMÄSSEN INSTALLATION AN EINEN QUALIFIZIERTEN ELEKTRIKER. STELLEN SIE SICHER, DASS LADEGERÄT UND ANSCHLUSSKABEL NICHT DAS VOLLSTÄNDIGE SCHLIESSEN DES STECKDOSENDECKELS VERHINDERN.

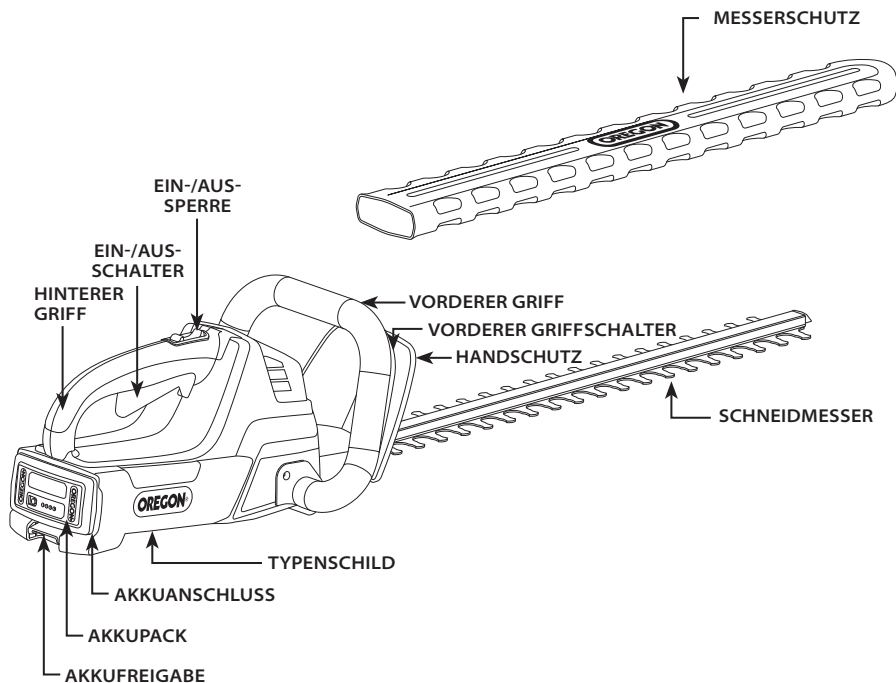
⚠ ACHTUNG: DAS LADEGERÄT NUR MIT DEM MITGELIEFERTEN NETZKABEL VERWENDEN UND SICHERSTELLEN, DASS DER STECKER RICHTIG IN DIE STECKDOSE PASST.

Bei der Verwendung von Elektroprodukten sollten stets grundlegende Vorsichtsmaßnahmen angewandt werden, wie z. B.:

- **Alle Sicherheitsanweisungen vor der Inbetriebnahme lesen und befolgen.** *Alle auf dem Produkt befindlichen oder zum Produkt gehörenden Anweisungen lesen und befolgen.*
- **Diese Anweisungen aufbewahren.**
- **Kein Verlängerungskabel verwenden.**
- **Das Kabel nicht missbräuchlich verwenden.** Das Kabel niemals zum Tragen, Ziehen oder Trennen des Elektrowerkzeugs von der Steckdose verwenden. Das Kabel von Wärmequellen, Öl, scharfen Kanten und beweglichen Teilen fernhalten. *Beschädigte oder verwickelte Kabel erhöhen die Stromschlaggefahr.*
- **Das Ladegerät keinem Regen aussetzen.** *Nur innerhalb geschlossener Räume verwenden.*
- **Nicht im Umkreis von 3 m um ein Wasserbecken verwenden.**
- **Nicht im Badezimmer verwenden.**

PRODUKTBESCHREIBUNG

LERNEN SIE IHRE HECKENSCHERE KENNEN



HINWEIS: Eine Liste der beigelegten Gegenstände finden Sie im Abschnitt „Auspacken“.

TECHNISCHE DATEN UND KOMPONENTEN

ERSATZKOMPONENTEN		TEILENUMMER
AKKUPACK, MODELL B400E		548206
LADEGERÄT MIT KABEL, MODELL C600		EU - 554933 UK - 554872 AU/NZ - 560663
LADEGERÄT MIT KABEL, MODELL C750		EU - 558697 UK - 558698 AU/NZ - 558699
LADEGERÄT, MODELL C600		
EINGANG	100-240 V~ 50-60 HZ 60 W	
AUSGANG	41,5 V _{DC} 1,25 A	
NETZKABEL	EU - 547383 UK - 547384 AU/NZ - 559380	
AKKUPACK, MODELL B400E		
GEWICHT	1,23 kg	
TYP	LITHIUM-IONEN	
NENNSPANNUNG	+37 V (GLEICHSPANNUNG)	
BETRIEBSTEMPERATUREN	0 °C BIS 40 °C	
NENNKAPAZITÄT	2,40 Ah/89 Wh	
LADEZEIT (CA.)	120 MINUTEN	
HECKENSCHERE		
MESSERLÄNGE	600 mm	
MESSERTYP	DOPPELSCHNEIDIG	
MAXIMALE SCHNEIDGESCHWINDIGKEIT	2.750 HÜBE PRO MINUTE	
MAXIMALER SCHNEIDDURCHMESSER	Bis zu 19 mm	
GEWICHT MIT B400E	4,4 kg	
SCHALLLEISTUNGSPEGEL	74 dB L _{WA} (K, 0,18 dB)	
VIBRATION	1,16 m/s ² (K, 0,26 m/s ²)	

BEZEICHNUNGEN UND BEGRIFFE DER HECKENSCHERE

Auslösesperre: Ein beweglicher Anschlag, der die unbeabsichtigte Aktivierung der Heckenschere verhindert, bis diese manuell betätigt wird.

Ein-/Ausschalter: Schalter zur Regelung der Geschwindigkeit der Schneidmesser.

Handschutz: Eine Barriere zwischen dem vorderen Griff einer Heckenschere und dem Messerbalken.

Hinterer Griff: Der Stützgriff am rückseitigen Teil der Heckenschere, an dem der Ein-/Ausschalter angebracht ist.

Messerblockade: Zustand, in dem sich die Messer nicht bewegen, weil Schnittgut zwischen die beweglichen und die festen Teile des Messerbalkens geraten ist.

Neues Wachstum: Der Teil einer Pflanze, der neu gewachsen ist. Diese Teile unterscheiden sich durch hellere Farbe, weniger Holz und höhere Biegsamkeit von älteren Pflanzenteilen.

Schneidesaison: Die ideale Zeit zum Zurückschneiden von Hecken ist je nach Art der Pflanze unterschiedlich. Allerdings wird generell empfohlen, Pflanzen in einer Zeit langsamen Wachstums zu schneiden, nachdem die Blühphase abgeschlossen ist. Wenden Sie sich bei Fragen zur Behandlung bestimmter Pflanzen an Ihre örtliche Gärtnerei.

Schneidgeschwindigkeit: Die Heckenschere bietet die Möglichkeit, die Schneidgeschwindigkeit zu variieren. Erhöhen Sie die Schneidgeschwindigkeit durch stärkeres Drücken des Ein-/Ausschalters. Um die Akkuladung so effizient wie möglich zu nutzen, schneiden Sie stets mit der Mindestgeschwindigkeit, die nötig ist, um das Material zu schneiden.

Schneidmesser: Die Reihe der geschliffenen Flächen, die am vorderen Teil der Heckenschere vorstehen und durch Vorwärts- Rückwärtsbewegungen den Schneidevorgang übernehmen.

Sicherheitszone für umstehende Personen: Ein Kreis mit einem Radius von 3 m um den Bediener darf nicht von umstehenden Personen, Kindern und Haustieren betreten werden.

Vorderer Griff: Der Stützgriff an oder in der Nähe der Vorderseite der Heckenschere.

Vorderer Griffschalter: Ein U-förmiger Schalter am vorderen Griff, der die unbeabsichtigte Aktivierung des Ein-/Ausschalters verhindert, bis dieser manuell betätigt wird.

BETRIEB DER HECKENSCHERE

AUSPACKEN

WAS BEFINDET SICH IN DER VERPACKUNG?

Die Heckenschere ist bereits vollständig montiert. Folgende Komponenten gehören zum Lieferumfang:

- Heckenschere
- Messerschutz
- Bedienungsanleitung
- Ladegerät und Netzkabel (je nach Version)
- Akkupack (je nach Version)

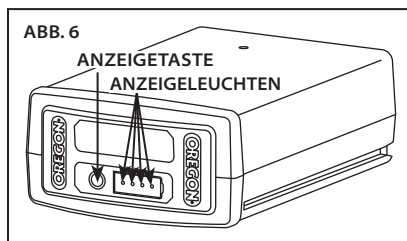
Untersuchen Sie die Heckenschere nach der Entnahme aus der Verpackung sorgfältig, um sicherzustellen, dass während des Transports keine Schäden entstanden sind und der Lieferumfang vollständig enthalten ist. Nehmen Sie die Heckenschere nicht in Betrieb, wenn Teile beschädigt sind oder fehlen. Wenden Sie sich zum Bezug von Ersatzteilen an OREGON® Cordless Tool System. Die länderspezifischen Telefonnummern finden Sie in diesem Handbuch im Abschnitt „Kundenservice international“.

AKKUPACK UND LADEGERÄT

⚠ WARNHINWEIS: AKKUPACK NICHT IM REGEN LADEN.

LED-LADESTANDSANZEIGE DES AKKUPACKS

Der Lithium-Ionen-Akkupack ist mit einer LED-Ladestandsanzeige ausgerüstet. Um den Ladestand des Akkupacks zu testen, drücken Sie die Anzeigetaste auf der Vorderseite des Akkupacks (Abb. 6).



Kein Licht: Aufladen.

Eine LED leuchtet grün:
Zu weniger als 25 % aufgeladen.
Akkupack vor Betrieb laden.

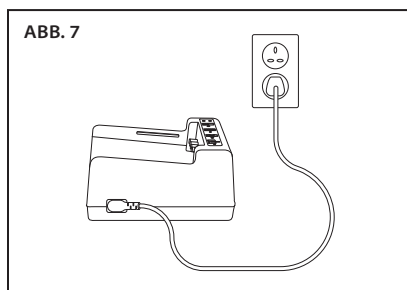
Zwei LEDs leuchten grün:
Zu 26–50 % geladen.

Drei LEDs leuchten grün:
Zu 51–75 % geladen.

Vier LEDs leuchten grün:
Zu 76–100 % geladen.

DAS LADEGERÄT ANSCHLIESSEN

Schließen Sie das Kabel des Ladegeräts an das Ladegerät und an eine sachgerecht installierte Steckdose an (Abb. 7).



Nur den mit dem Ladegerät mitgelieferten Kabelsatz verwenden. Beim ersten Gebrauch ist sicherzustellen, dass der Stecker zur Steckdose passt.

LED-LADESTANDSANZEIGE DES LADEGERÄTS

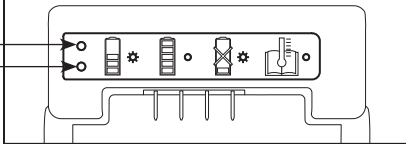
Das Akku-Ladegerät ist mit einer LED-Ladestandsanzeige ausgestattet, die den Ladestatus anzeigt sowie darauf hinweist, falls sich der Ladevorgang verzögert oder nicht startet (Abb. 8).

Hinweis: Es sind keine Lichter sichtbar, bevor ein Akkupack eingesetzt wird.

— Blinkendes orangefarbenes Licht: Es liegt eine Fehlerbedingung vor. Es gibt mehrere potenzielle Ursachen. Siehe Abschnitt „Fehlerbehebung“ in diesem Handbuch.

— Eine Lampe leuchtet orange: Temperatur des Akkupacks übersteigt den zulässigen Bereich (0 °C bis 40 °C). Vor dem Aufladen warten, bis der Akkupack den zulässigen Temperaturbereich erreicht hat. Der Akkupack kann auf dem Ladegerät verbleiben, während sich die Temperatur anpasst. Das Aufladen beginnt, sobald eine angemessene Temperatur erreicht ist.

ABB. 8



— Blinkendes grünes Licht: Akkupack wird aufgeladen.

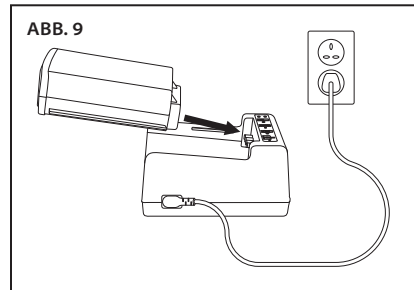
— Eine Lampe leuchtet grün: Akkupack ist EINSATZBEREIT.

AUFLADEN DES AKKUPACKS

⚠ WARNHINWEIS: DIE NICHTBEFOLGUNG DER ORDNUNGSGEMÄSSEN LADEVORGÄNGE KANN ZU ÜBERHÖHTER SPANNUNG, ÜBERHÖHTEM STROMFLUSS, KONTROLLVERLUST WÄHREND DES LADENS, AUSTRITT GEFÄHRLICHER CHEMIKALIEN, WÄRMEEERZEUGUNG, EXPLOSION ODER BRAND FÜHREN.

Wenn das Kabel des Ladegeräts an das Ladegerät angeschlossen und in eine Steckdose eingesteckt ist, die Nuten im Akku auf die Schienen am Ladegerät ausrichten und den Akkupack auf das Ladegerät schieben, bis er vollständig eingesetzt ist (Abb. 9).

ABB. 9

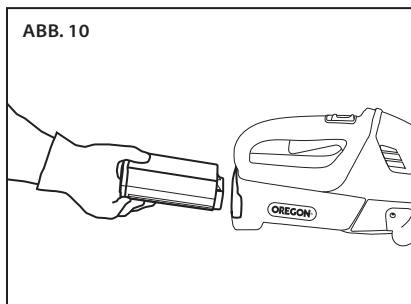


Die Ladestandsanzeige auf Ladebedingungen überprüfen.

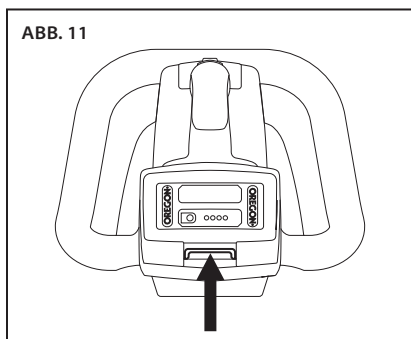
EINSETZEN UND FREIGEBEN DES AKKUPACKS

Verwenden Sie nur die in dieser Bedienungsanleitung angegebenen OREGON®-Akkupacks.

Die Nut im Akku auf die Schienen im Akkuanschluss ausrichten. Den Akkupack fest auf den Akkuanschluss der Heckenschere schieben und vorwärts drücken, bis er mit einem hörbaren Klicken einrastet (Abb. 10).



Um den Akkupack zu entfernen, die Akkufreigabe anheben und den Pack entfernen (Abb. 11).



ALLGEMEINER BETRIEB



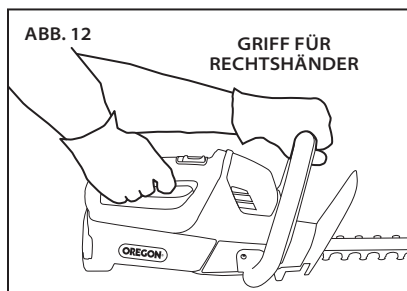
⚠ WARNHINWEIS: TRAGEN SIE IMMER GEEIGNETE HANDSCHUHE UND EINEN AUGENSCHUTZ.

BETRIEBSTEMPERATUR

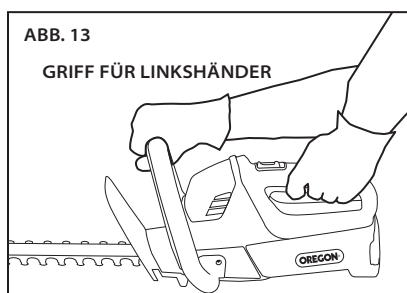
Diese Heckenschere ist für den Betrieb im Temperaturbereich zwischen 0 °C und 40 °C vorgesehen.

GRIFF

Das Werkzeug immer mit beiden Händen halten. Bei der Bedienung durch eine rechtshändige Person Heckenschere auf eine feste, ebene Fläche auflegen, den vorderen Griff mit der linken Hand und den hinteren Griff mit der rechten Hand halten. Die Finger sollten die Oberseite und der Daumen die Unterseite des vorderen Griffs umschließen (Abb. 12).



Bei der Bedienung durch eine linkshändige Person die Heckenschere auf eine feste, ebene Fläche auflegen, den vorderen Griff mit der rechten Hand und den hinteren Griff mit der linken Hand halten (Abb. 13).



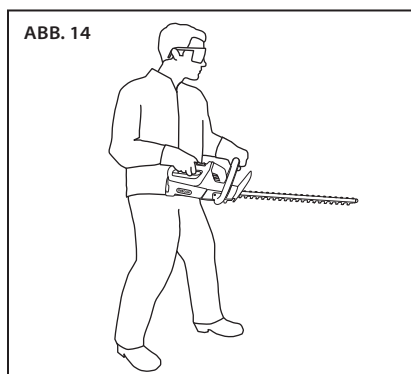
STANDPOSITION

Beide Füße auf festem Boden positionieren und das Gewicht gleichmäßig auf beide Beine verteilen.

Nicht über Schulterhöhe schneiden und nicht von einer Leiter, Trittleiter oder einer erhöhten Position aus schneiden, wenn kein sicherer Stand gewährleistet ist.



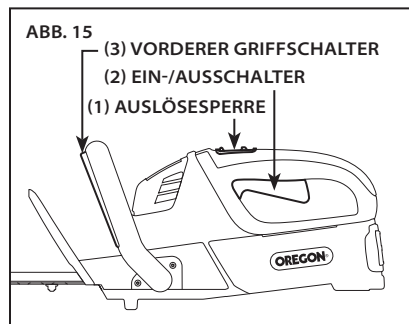
Halten Sie die Heckenschere so nah wie möglich an den Körper, um die Kontrolle zu behalten (Abb. 14).

**ANHALTEN DER HECKENSCHERE**

Ein-/Ausschalter loslassen, um die Heckenschere zu stoppen.

STARTEN DER HECKENSCHERE

Halten Sie die vorderen und hinteren Griffe mit festem Griff. Lösen Sie die Auslösesperre (1) mit dem Daumen (Abb. 15). Drücken Sie den Ein-/Ausschalter (2), bis sich die Schneidmesser in der gewünschten Geschwindigkeit bewegen. Der vordere Griffschalter (3) ist ein Sicherheitsmerkmal. Die Heckenschere startet erst, wenn er aktiviert wird.

**REGELUNG DER MESSERGESCHWINDIGKEIT**

Der Ein-/Ausschalter regelt die Geschwindigkeit, mit der sich die Schneidmesser bewegen. Erhöhen Sie die Schneidgeschwindigkeit durch stärkeres Drücken des Ein-/Ausschalters.

Verwenden Sie den für die jeweiligen Arbeiten niedrigsten erforderlichen Druck. Dies trägt dazu bei, die Schneiddauer pro Akkuladung zu erhöhen und reduziert die Anzahl der erforderlichen Ladevorgänge.

HECKEN SCHNEIDEN

ZEITPUNKT

Die ideale Zeit zum Zurückschneiden von Hecken ist je nach Art der Pflanze unterschiedlich. Allerdings wird generell empfohlen, Pflanzen in einer Zeit langsamen Wachstums zu schneiden, nachdem die Blühphase abgeschlossen ist. Wenden Sie sich bei Fragen zur Behandlung bestimmter Pflanzen an Ihre örtliche Gärtnerei.

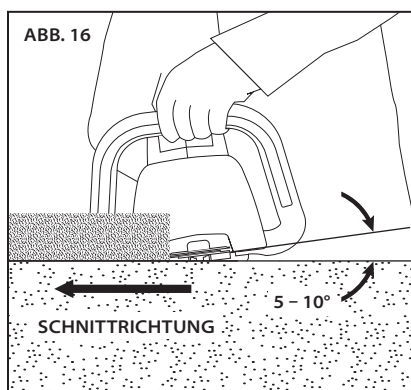
Beachten Sie alle für das Schneiden von Hecken geltenden nationalen und kommunalen Regeln und Bestimmungen.

GRUNDLEGENDE SCHNEIDETECHNIK

⚠ WARNHINWEIS: IMMER AUF SICHEREN STAND ACHTEN UND DIE HECKENSCHERE FEST MIT BEIDEN HÄNDEN HALTEN, WÄHREND DER MOTOR LÄUFT.

Überprüfen Sie vor dem Schneiden, ob sich in der Hecke Gegenstände befinden, die das Messer beschädigen könnten. Entfernen Sie ggf. Gegenstände, die das Schneiden behindern könnten.

Nehmen Sie die Heckenschere richtig in die Hand, stellen Sie sich in die richtige Position und starten Sie die Heckenschere. Halten Sie den Messerbalken der Heckenschere in einem Winkel von 5 – 10° zur Schnittrichtung (Abb. 16).



WICHTIG: DIE SCHNEIDMESSER BLOCKIEREN GELEGENTLICH, WENN SCHNITTGUT ZWISCHEN DEN SCHNEIDMESSERN FESTKLEMMT ODER DIE MESSER IN EINEN DRAHT ODER EINEN MASCHENDRAHTZAUN GERATEN. IM ABSCHNITT „MESSERBLOCKADE BESEITIGEN“ ERFAHREN SIE, WIE MAN DIE FUNKTIONSFÄHIGKEIT WIEDER HERSTELLT.

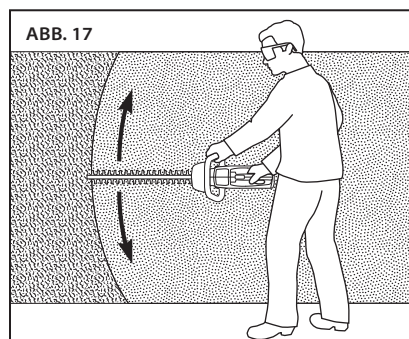
SCHNITTFOLGE

Ist die Hecke gut gepflegt, konzentrieren Sie sich auf das Schneiden der nachgewachsenen Triebe, bis die Hecke die gewünschte Form hat.

Sobald die langen Zweige entfernt wurden, schneiden Sie die Seiten der Hecke auf die gewünschte Länge. Sind die Seiten fertig, wird die Hecke von oben geschnitten.

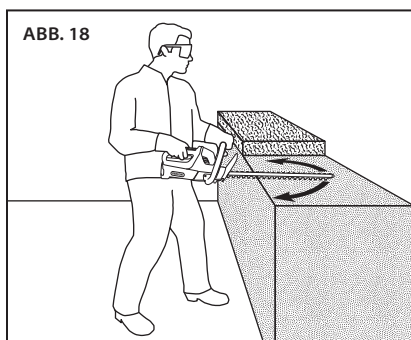
VERTIKAL SCHNEIDEN

Den Schnitt der Heckenseiten am Boden der Hecke beginnen. Halten Sie den Messerbalken der Heckenschere in einem Winkel von 5 – 10° zur Schnittrichtung. Gehen Sie sich an der Hecke entlang und bewegen Sie die Heckenschere langsam in einem weiten Bogen von oben nach unten (Abb. 17).



HORIZONTAL SCHNEIDEN

Beim Schneiden der Oberseite der Hecke mit der Ihnen zugewandten Kante beginnen. Halten Sie den Messerbalken der Heckenschere in einem Winkel von 5 – 10° zur Schnittrichtung. Gehen Sie sich an der Hecke entlang und bewegen Sie die Heckenschere langsam in einem weiten Bogen von links nach rechts (Abb. 18).



Ist die Oberseite der Hecke zu breit, um in einem Durchgang geschnitten zu werden, beugen Sie sich nicht vornüber, um die andere Kante der Hecke zu schneiden. Schneiden Sie stattdessen erst eine Seite fertig und schneiden Sie die gegenüberliegende Kante von der anderen Seite.

MESSERBLOCKADE BESEITIGEN

⚠ ACHTUNG: STETS DEN AKKU ABNEHMEN, BEVOR SIE SCHNITTGUT AUS DEM MESSER ENTFERNEN, DAMIT DAS SCHNEIDMESSER NICHT VERSEHENTLICH AKTIVIERT WIRD.

⚠ ACHTUNG: DIE SCHNEIDMESSER SIND SCHARF. TRAGEN SIE STETS HANDSCHUHE, WENN SIE SCHNITTGUT AUS DEM SCHNEIDMESSER ENTFERNEN.

Gelegentlich kann sich beim Schneiden flexibler, grüner Zweige Schnittgut zwischen den beweglichen und den feststehenden Teilen des Messerbalkens verfangen. Wenn dies passiert, können die Messer plötzlich aufhören sich zu bewegen. Dies kann auch passieren, wenn die Schneidmesser in Kontakt mit Material geraten, das die Heckenschere nicht schneiden kann, wie z. B. einem Maschendrahtzaun. In diesem Fall blockieren die Messer.

Gehen Sie wie folgt vor, um das Material sicher und effektiv zu entfernen.

- Tragen Sie Handschuhe.
- Entfernen Sie den Akkupack aus der Heckenschere. Siehe Abschnitt „Entfernen des Akkupacks“
- Entfernen Sie das Material, das sich in den Schneidmessern verfangen hat, so dass diese sich nicht mehr bewegen lassen.

WARTUNG UND REINIGUNG

HECKENSCHERE

⚠ WARNHINWEIS: ÜBERPRÜFEN DER HECKENSCHERE. REGELMÄSSIGE KONTROLLE IST DER ERSTE SCHRITT IN DER ORDNUNGSGEMÄSSEN WARTUNG. BEACHTEN SIE DIE FOLGENDEN RICHTLINIEN, UM SICHERHEIT UND ZUFRIEDENHEIT ZU OPTIMIEREN. WECHSELN SIE BESCHÄDIGTE ODER ÜBERMÄSSIG ABGENUTZTE TEILE SOFORT AUS. WENN BESCHÄDIGTE ODER ABGENUTZTE TEILE NICHT IDENTIFIZIERT UND ERSETZT WERDEN, KÖNNEN SCHWERE VERLETZUNGEN DIE FOLGE SEIN.

⚠ WARNHINWEIS: VOR DER ÜBERPRÜFUNG, REINIGUNG ODER WARTUNG AKKUPACK AUS DER HECKENSCHERE ENTFERNEN. EIN AKKUBETRIEBENES GERÄT MIT EINGESETZTEM AKKUPACK IST IMMER AKTIVIERT UND KANN VERSEHENTLICH STARTEN.

⚠ ACHTUNG: TAUCHEN SIE DIE HECKENSCHERE BEI DER REINIGUNG NICHT IN WASSER ODER ANDERE FLÜSSIGKEITEN EIN.

REINIGEN DER HECKENSCHERE

- Wischen Sie Staub, Blätter und Schnittgut von der Heckenschere ab.
- Reinigen Sie die Belüftungsöffnungen, um die einwandfreie Luftzirkulation zu gewährleisten und eine Überhitzung zu verhindern.
- Wischen Sie den Antriebskopf mit einem sauberen Tuch ab, das mit einer milden Seifenlösung getränkt ist.
- Niemals scharfe Reinigungsmittel oder Lösungsmittel verwenden.

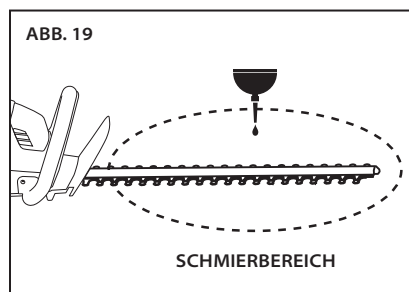
PRÜFUNG DER SCHNEIDMESSER

Vergewissern Sie sich, dass die Schneidmesser scharf sind, keine Kerben oder stumpfe Kanten haben und bei Betrieb der Heckenschere nicht blockieren oder sich verfangen. Feilen Sie regelmäßig Kerben und Graten an den Messern weg, damit sie sich frei bewegen können. Scharfe und frei bewegliche Messer schneiden besser als stumpfe bzw. klebrige.

MESSERPFLEGE

Werden Hecken mit viel Harz oder in staubigen Umgebungen geschnitten, können Verharzung und Verschmutzung gelegentlich die Messer zusammenkleben. Damit die Messer nicht zusammenkleben, reinigen Sie diese mit einer dünnen Schicht flüssigem, silikonhaltigem Schmiermittel nur im Schmierbereich der Schneidmesser (Abb. 19) und lassen Sie die Messer kurz laufen, damit sich das Schmiermittel gleichmäßig verteilt.

WICHTIG: DAS SCHMIERMITTEL DARF NICHT IN DAS GEHÄUSE DER HECKENSCHERE GELANGEN. BENUTZEN SIE AUF KEINEN FALL LÖSUNGSMITTEL ODER SPRÜHFÄHIGE WASSERVERDRÄNGUNGSPRODUKTE. WENDEN SIE SCHMIERMITTEL SPARSAM AN.



ÜBERPRÜFEN SIE DEN KIPPSCHUTZ.

Ist ein Kippschutz installiert, stellen Sie sicher, dass er nicht verbogen oder gebrochen ist. Ein verbogener Kippschutz kann in Kontakt mit dem Schneidmesser kommen. Ist der Kippschutz verbogen oder gebrochen, muss er bei einem autorisierten Servicestandort ausgetauscht werden.

ANBRINGEN DES MESSERSCHUTZES

Bringen Sie den Messerschutz auf dem Messerbalken an, um die Schneidmesser vor Schmutz zu schützen und zu verhindern, dass Menschen oder Gegenstände damit in Berührung kommen.

ÜBERPRÜFUNG DER GRIFFE

Stellen Sie sicher, dass die vorderen und hinteren Griffe sauber und trocken sind und keine Risse oder sonstige Beschädigungen aufweisen. Der Bruch eines beschädigten Griffs während der Bedienung kann schwere Verletzungen nach sich ziehen.

AKKUANSCHLUSS ÜBERPRÜFEN

Stellen Sie sicher, dass der Akkuanschluss sauber, trocken und frei von Verunreinigungen ist. Verunreinigungen am Akkuanschluss kann die elektrische Verbindung zwischen Akkupack und Heckenschere beeinträchtigen.

AKKUPACK

⚠ WARNHINWEIS: IM INNEREN DES AKKUPACKS SIND KEINE TEILE ENHALTEN, DIE VOM BENUTZER GEWARTET WERDEN KÖNNEN. NICHT AUSEINANDERBAUEN.

Lithium-Ionen-Akkus haben eine vorgegebene Lebensdauer. Wenn die Betriebsdauer sich deutlich verkürzt, bedeutet dies, dass der Akkupack das Ende der Nutzungsdauer erreicht hat und ausgetauscht werden sollte.

- Stellen Sie sicher, dass der Akkupack und die Kontakte sauber und trocken sind und keine Anzeichen von Löchern, Schlägeinwirkungen oder sonstigen Schäden haben. Defekte Akkus können Brände auslösen oder gefährliche Chemikalien freisetzen.
- Reinigen Sie verunreinigte Kontakte mit einem trockenen, sauberen Tuch. Schmutz oder Öl können für eine schlechte elektrische Verbindung sorgen, was einen Leistungsverlust zur Folge haben kann.

LADEGERÄT

- Das Kabel des Ladegeräts vom Stromnetz trennen.
- Reinigen Sie verunreinigte Kontakte mit einem trockenen, sauberen Tuch.

FEHLERBEHEBUNG

Verwenden Sie diese Tabelle, um Hinweise auf mögliche Lösungen für Probleme mit der Heckenschere zu erhalten. Wenn das Problem mit den nachfolgenden Schritten nicht behoben wird, siehe Abschnitt „Informationen zu Wartung und Kundendienst“.

FEHLER	MÖGLICHE URSACHE	EMPFOHLENE MASSNAHMEN
Motor läuft nicht oder läuft mit Unterbrechungen	Akku entladen	Laden. Siehe Abschnitt „Aufladen des Akkupacks“.
	Vorderer Griffschalter oder Auslösesperre nicht aktiviert	Fassen Sie das Gerät am vorderen Griffschalter an und ziehen Sie die Auslösesperre zurück, bevor Sie den Ein-/Ausschalter betätigen. Siehe Abschnitt „Starten der Heckenschere“.
	Akkupack nicht vollständig eingesetzt	Den Akkupack auf den Akkuanschluss der Heckenschere drücken, bis er mit hörbarem Klicken einrastet.
	Akkukontakte verunreinigt	Akkupack entnehmen, Verunreinigungen am Akkuanschluss entfernen und dann die Kontakte mit einem sauberen, trockenen Tuch reinigen.
	Akkupack kalt	Bringen Sie den Akkupack auf die minimale Betriebstemperatur von 0 °C.
Motor läuft, aber Schneidmesser bewegen sich nicht	Gegenstand verhindert Bewegung des Schneidmessers	Siehe Abschnitt „Messerblockade beseitigen“.
Heckenschere schneidet nicht richtig	Angesammeltes Harz verhindert Bewegung des Schneidmessers	Siehe Abschnitt „Messerpflege“.
	Die Schneidmesser sind stumpf	Lassen Sie die Messer von einem Fachmann schärfen.
Akkupack lädt nicht	Über-/Untertemperaturschutz des Akkupack ist aktiviert	Dies kann auftreten, wenn die Heckenschere pausenlos läuft oder hohen Umgebungstemperaturen ausgesetzt ist. Vor dem Aufladen warten, bis der Akkupack den akzeptablen Temperaturbereich erreicht hat. Siehe Abschnitt „Aufladen des Akkupacks“.
	Verschmutzte oder beschädigte Kontakte am Akkupack oder Ladegerät	Die Kontakte am Akkupack und am Ladegerät überprüfen. Akkupack wie im Abschnitt „Reinigung und Wartung“ beschrieben reinigen, in das Ladegerät einsetzen und sicherstellen, dass er richtig sitzt.
	Akkupack ist am Ende der Lebensdauer	Alle Akkus haben eine begrenzte Lebensdauer. Wenn der Akkupack mehr als zwei Jahre alt ist oder häufig wieder aufgeladen wurde, kann es an der Zeit sein, ihn zu ersetzen. Ersetzen Sie ihn nur durch einen für die Heckenschere vorgeschriebenen Akkupack.
	Ladegerät defekt	Funktionskontrolle bei einem autorisierten Servicestandort durchführen lassen.

FEHLER	MÖGLICHE URSACHE	EMPFOHLENE MASSNAHMEN
Geringe Schneidezeit pro Akkuladung	Die Schneidmesser sind stumpf	Lassen Sie die Messer professionell schärfen.
	Schneidmesser sind verschlissen	Lassen Sie die Messer bei einem autorisierten Servicestandort austauschen.
	Schneidmesser sind verbogen	Lassen Sie die Messer bei einem autorisierten Servicestandort austauschen.
	Unsachgemäße Schneidetechnik	Beachten Sie die Hinweise im Abschnitt „Grundlegende Schneidetechnik“.
	Höhere Schneidegeschwindigkeit als erforderlich	Verringern Sie den Druck auf den Ein-/Ausschalter.
	Angesammeltes Harz verhindert Bewegung des Schneidmessers	Siehe Abschnitt „Messerpflege“.
	Akkupack nicht vollständig aufgeladen	Siehe Abschnitt „Aufladen des Akkupacks“.
Blinkendes orangefarbenes Licht auf der Led-Ladestandsanzeige	Kurzschluss des Ladegeräts, Überspannung im Ladegerät, Überspannungslimit, unterbrochener Stromkreis am Akkupack oder Lade-/Vorlade-Zeitsperrefehler	<ol style="list-style-type: none"> 1. Stellen Sie sicher, dass das Ladekabel an das Ladegerät und an eine Steckdose angeschlossen ist. 2. Sicherstellen, dass das Ladegerät die korrekte Spannung erhält. 3. Laden Sie einen anderen für dieses Ladegerät zugelassenen Akkupack auf. Tritt das Problem immer noch auf, Funktionskontrolle bei einem autorisierten Servicestandort durchführen lassen.

GARANTIE UND SERVICE

GARANTIE

Blount, Inc. gewährt auf alle registrierten OREGON® Akku-Werkzeuge, Akkupacks und Ladegeräte eine Garantie von zwei (2) Jahren ab dem ursprünglichen Kaufdatum bzw. eine Garantie von einem (1) Jahr für den kommerziellen Gebrauch. Diese beschränkte Garantie gilt für unter der Marke OREGON® Cordless Tool System hergestellte Produkte. Während der Garantiezeit wird Blount ausschließlich für den Originalkäufer Produkte oder Teile entweder kostenlos reparieren oder nach eigenem Ermessen ersetzen, wenn sich bei einer von Blount durchgeführten Prüfung herausstellt, dass sie Material- und/oder Verarbeitungsfehler aufweisen. Der Käufer trägt die Verantwortung für sämtliche Transport- und Ausbaukosten in Bezug auf Teile, die gemäß dieser Garantie zum Ersatz eingeschickt werden.

ORIGINALKAUFBELEG AUFBEWAHREN

Befestigen Sie bitte den Original-Kaufbeleg an dieser Bedienungsanleitung. Bringen Sie für Garantieleistungen das Produkt und den Beleg zu dem Händler, bei dem das Produkt gekauft wurde. Alternativ können Sie uns über die unten angegebenen Informationen kontaktieren.

INFORMATIONEN ZU WARTUNG UND KUNDENDIENST

Besuchen Sie uns im Internet unter **OregonCordless.com** um Informationen zu Servicestandorten zu erhalten oder kontaktieren Sie unsere Kundendienstabteilung bzgl. Hilfestellung, zusätzlicher technischer Beratung, Reparatur oder Ersatzteilen. Die länderspezifischen Telefonnummern finden Sie in diesem Handbuch im Abschnitt „Kundenservice international“.

Aus Sicherheitsgründen bitte nur Original-Ersatzteile für das Elektrowerkzeug verwenden. Das Personal unseres Wartungszentrums kann Ihnen fachgerechte Unterstützung und Hilfestellung in Bezug auf Einstellung, Reparatur und Ersatz aller OREGON® Cordless Tool System-Produkte geben.

EG-KONFORMITÄTSERKLÄRUNG

Blount International Inc. 4909 SE International Way, Portland Oregon, 97222 USA

BESTÄTIGT HIERMIT, DASS DAS/DIE FOLGENDEN PRODUKT(E):

Akku-Heckenschere Modell(e):

HT255

Akku-Ladegerät C600


FOLGENDEN EUROPÄISCHEN RICHTLINIEN UND NORMEN ENTSPRECHEN:

EG-RICHTLINIEN:

MASCHINENRICHTLINIE 2006/42/EG

REPRÄSENTANT DES UNTERNEHMENS:

**KONTAKTPERSON FÜR TECHNISCHE
UNTERLAGEN IN EUROPA:**



Kevin Cyrus
Manager – Product Safety & Compliance
Blount International Inc.
Portland OR 97222 USA

Mr. Marnix Kuypers
Blount International-Europe-S. A.
Rue Emile Francqui, 5
B 1435 Mont-Saint-Guibert
Belgien

DATUM/ORT:

10. Juli 2012, Portland (Oregon), USA

INNEHÅLL

SYMBOLER OCH MÄRKNINGAR	74
SÄKERHETSREGLER	75
ALLMÄNNA SÄKERHETSVARNINGAR – ELVERKTYG	75
SÄKERHET PÅ ARBETSOMRÅDET	75
ELSÄKERHET	75
PERSONLIG SÄKERHET	76
ANVÄNDNING OCH SKÖTSEL AV ELVERKTYG	77
ANVÄNDNING OCH SKÖTSEL AV BATTERIDRIVET VERKTYG	77
SERVICE	77
HÄCKSAX SÄKERHETSVARNINGAR	77
FÖRVARING, TRANSPORT OCH AVFALLSHANTERING	78
LADDARENS SÄKERHET	80
PRODUKTIDENTIFIKATION	81
SPECIFIKATIONER OCH KOMPONENTER	82
HÄCKSAX – NAMN OCH TERMINOLOGI	83
ANVÄNDA HÄCKSAXEN	84
UPPACKNING	84
BATTERIPAKET OCH LADDARE	84
ALLMÄN ANVÄNDNING	86
KLIPPA HÄCKAR	88
UNDERHÅLL OCH RENGÖRING	90
HÄCKSAX	90
BATTERIPAKET	91
LADDARE	91
FELSÖKNING	92
GARANTI OCH SERVICE	94
EU-FÖRSÄKRAN OM ÖVERENSSTÄMMELSE	95
NATIONELL KUNDTJÄNST	418

SYMBOLER OCH MÄRKNINGAR

SYMBOL	NAMN	FÖRKLARING
	KLASS II- PRODUKT	MÄRKT DUBBELISOLERAT ELVERKTYG
	SÄKERHETSVARNING	INDIKERAR ATT TEXT SOM FÖLJER BESKRIVER EN SÄKERHETSRIKSK ELLER VARNING.
	LÄS ANVISNINGARNA	BRUKSANVISNINGEN INNEHÅLLER VIKTIG SÄKERHETS- OCH DRIFTSINFORMATION LÄS OCH FÖLJ ALLA ANVISNINGAR NOGGRANT.
	BÄR SKYDDSGLASÖGON	BÄR SKYDDSGLASÖGON NÄR DU ANVÄNDER HÄCKSAXEN.
	BÄR SKYDDSHANDSKAR	BÄR SKYDDSHANDSKAR NÄR HÄCKSAXEN ANVÄNDS OCH NÄR SKÄRBLADEN HANTERAS.
	BULLERNIVÅ	BULLERNIVÅN ÄR 74 DB.
	TVÅHANDSGREPP	HÅLL HÄCKSAXEN MED BÅDA HÄNDERNA.
	ENHANDSGREPP	HÅLL ALDRIG HÄCKSAXEN MED EN HAND.
	BRÄNN INTE UPP	KASTA EJ I ÖPPEN ELD.
	KASTA EJ	KASTA INTE PRODUKTEN BLAND HUSHÅLLSSOPORNA. LÄMNA DEN TILL ÅTERVINNING.
	UTSÄTT DEN INTE FÖR REGN.	ANVÄND INTE LADDAREN I VÄTA.
	ENDAST FÖR INOMHUSBRUK	ENDAST AVSEDD FÖR INOMHUSBRUK.
	INSPEKTERA ELUTTAGET.	INSPEKTERA LADDARENS ELUTTAG OCH SLADD REGELBUNDET SÅ ATT DET INTE FINNS NÅGRA SKADOR.
	DRIFTSTEMPERATUR	BATTERIPAKETET FÅR ENDAST ANVÄNDAS VID TEMPERATURER MELLAN 0 °C OCH 40 °C.
	KAPVERKTYG	KAPVERKTYG. INAKTIVERA HÄCKSAXEN GENOM ATT TA BORT BATTERIPAKETET INNAN DU VIDRÖR SKÄRBLADEN.

INLEDNING

Den här häcksaxen är avsedd för regelbundet underhåll och trimning. Den är inte avsedd för att kapa grenar med större diameter än 19 mm. Andra tillämpningar kan orsaka personskador och är inte tillåtna.

SÄKERHETSREGLER

ALLMÄNNA SÄKERHETSVARNINGAR – ELVERKTYG

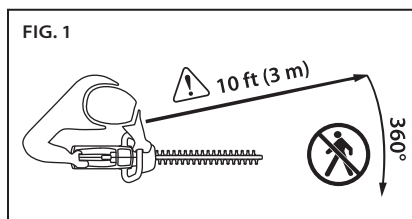
⚠ VARNING: LÄS OCH VAR MEDVETEN OM ALLA SÄKERHETSVARNINGAR OCH ANVISNINGAR. ELEKTRISK STÖT, BRAND OCH/ELLER ALLVARLIG PERSONSKADA KAN BLI FÖLJDEN OM DU INTE FÖLJER VARNINGAR OCH ANVISNINGAR.



SPARA ALLA VARNINGAR OCH ANVISNINGAR FÖR FRAMTIDA REFERENS. TERMEN "ELVERKTYG" I VARNINGARNA AVSER DET ELDRIVNA (MED SLADD) ELVERKTYGET ELLER DET BATTERIDRIVNA (SLADDLÖSA) ELVERKTYGET.

SÄKERHET PÅ ARBETSOMRÅDET

- Håll arbetsområdet rent och väl upplyst. Röriga eller mörka områden inbjuder till olyckor.
- Använd inte elverktyg i explosiva miljöer, t.ex. i närheten av lättantändliga vätskor, gaser eller damm. Elverktyg skapar gnistor som kan göra att dammet eller ångorna fattar eld.
- Håll barn och åskådare på avstånd vid arbete med elverktyg (Fig. 1). Distractioner kan leda till att du tappar kontrollen.



⚠ VARNING: SKAPA EN SÄKERHETZON FÖR ÅSKÅDARE PÅ 3 M INNAN DEN HÄR UTRUSTNINGEN ANVÄNDS. Säkerhetszonen för åskådare är en cirkel med en radie på 3 m runt användaren där det inte får finnas åskådare, barn eller husdjur.

ELSÄKERHET

- Elverktygets stickkontakt måste vara av rätt typ för eluttaget. Försök aldrig modifiera en stickkontakt. Använd inte någon typ av uttagsadapter tillsammans med jordat elverktyg. Icke-modifierad stickkontakt som passar för uttaget innebär mindre risk för elektrisk stöt.
- Undvik kroppskontakt med jordade ytor, såsom rör, element, spisar och kylskåp. Det föreligger ökad risk för elektrisk stöt om din kropp är jordad.
- Utsätt inte elverktyg för regn eller väta. Vatten som tränger in i ett elverktyg ökar risken för elektrisk stöt.
- Hantera elsladden så att den inte skadas. Använd aldrig sladden för att hänga upp, dra eller koppla ur elverktyget. Utsätt inte sladden för hög värme, olja, skarpa kanter eller rörliga delar. Skadad eller intrasslad kabel ökar risken för elektrisk stöt.
- När elverktyg används utomhus måste förlängningssladden vara anpassad till utomhusbruk. Användning av sladd för utomhusbruk minskar risken för elektrisk stöt.

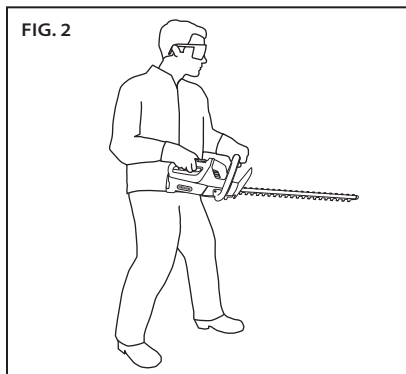
- Om elverktyget måste användas på en fuktig plats ska jordfelsbrytare användas. En jordfelsbrytare minskar risken för elektriska stötar.
- Dra genast ur kontakten från eluttaget om sladden är skadad eller har gått av.

PERSONLIG SÄKERHET



- Var uppmärksam, se på vad du gör och använd sunt förnuft när du använder ett elverktyg. Använd aldrig ett elverktyg om du är trött eller påverkad av droger, alkohol eller medicin. Ett ögonblick av förlorad uppmärksamhet kan leda till allvarliga personskador.
- Använd personlig skyddsutrustning. Bär alltid skyddsglasögon. Skyddsutrustning såsom dammskyddsmask, halkfria säkerhetsskor, hjälm eller hörselskydd minskar risken för personskador under normala omständigheter.
- Förhindra oavsiktlig start. Se till att knappen är i av-läge innan du ansluter till strömkälla och/eller batteripaket, lyfter upp eller bär verktyget. Det medför stor risk för olyckor att bära elverktyg med fingret på startknappen eller att aktivera elverktyg när knappen är i på-läge.
- Avlägsna eventuell justeringsnyckel eller skiftnyckel innan elverktyget slås på. En nyckel som lämnas fäst vid en roterande del av elverktyget kan leda till personskada.

- Sträck dig inte för långt. Stå stadigt och se till att ha ordentligt fotfäste (Fig. 2). Detta ger dig bättre kontroll över elverktyget i oväntade situationer.



- Använd lämpliga kläder. Bär inte löst sittande kläder eller smycken. Håll hår, kläder och handskar på avstånd från rörliga delar. Löst sittande kläder, smycken eller långt hår kan fastna i rörliga delar.
- Om det finns enheter för anslutning av dammextraktion och -uppsamling så måste du kontrollera att dessa ansluts och används på ett korrekt sätt. Användning av dammuppsamling kan minska dammrelaterade faror.
- Långvarig användning av elverktyg har visat sig orsaka vaskulära, neurologiska eller muskelsjukdomar (såsom "Vita fingrar" från vibrationer eller Raynauds syndrom). Följ dessa anvisningar för att minska risken för skador:
 - Bär handskar och håll händer och kropp varma.
 - Håll häcksaxen i ett fast grepp, men använd inte för mycket tryck under längre perioder.
 - Ta rast ofta.

Vibrationerna under normal användning kan avvika från de angivna värdena beroende på det material som kapas, kapningsystemets underhåll och andra faktorer.

ANVÄNDNING OCH SKÖTSEL AV ELVERKTYG

- Tvinga inte elverktyget. Använd rätt elverktyg för ditt syfte. *Det rätta elverktyget gör jobbet bättre och säkrare för det syfte det är konstruerat.*
- Använd inte elverktyget om av/på-knappen inte fungerar. *Elverktyg som inte svarar på sådan knapptryckning är farligt och måste repareras.*
- Koppla bort elverktyget från strömkällan och/eller batteripaketet innan du gör några justeringar, byter tillbehör eller sätter elverktyget på förvaring. *Sådana förebyggande säkerhetsåtgärder minskar risken för att elverktyget startas oavsiktligen.*



- Förvara elverktyg som inte används utom räckhåll för barn och låt inte personer utan kunskap om elverktyget eller dessa anvisningar använda det. *Elverktyg är farliga i händerna på ovana användare.*
- Underhåll elverktyg. Kontrollera så att rörliga delar inte sitter fast eller är felriktade samt att inga delar är trasiga eller andra problem som kan påverka driften av elverktyg. Ett skadat elverktyg ska repareras innan det används. *Dåligt underhållna elverktyg orsakar många olyckor.*
- Håll kapverktyg vassa och rena. *Korrekt underhållna kapverktyg med vassa kapytor löper mindre risk att fastna och är lättare att kontrollera.*
- Använd elverktyget, tillbehör och verktygsinsatser i enlighet med dessa anvisningar med hänsyn till arbetsförhållanden och arbetet som ska utföras. *Annan användning av elverktyget än de avsedda kan leda till en farlig situation.*

ANVÄNDNING OCH SKÖTSEL AV BATTERIDRIVET VERKTYG

- Ladda endast med den laddare som specificeras av tillverkaren. *En laddare som passar en typ av batteripaket kan utgöra en brandfara om den används med ett annat batteripaket.*
- Använd elverktyget endast med specifikt angivna batteripaket. *Användning av andra batteripaket kan medföra risk för personskada och brand.*
- När batteripaketet inte används ska det inte förvaras tillsammans med föremål som häftklamrar, gem, mynt, spikar, skruvar eller andra små metallföremål som kan leda ström mellan batteripaketets metallkontakter. *Kortslutning av batterianslutningarna kan orsaka brännskador eller brand.*
- Om batteriet skadas kan vätska börja läcka. Undvik kontakt med den. *Spola med vatten om kontakt med vätskan inträffar. Sök läkare om vätskan kommer i kontakt med ögonen. Batterivätskan kan orsaka irritation eller brännskador.*

SERVICE

Låt en kvalificerad reparatör serva elverktyget med endast identiska originaldelar. Detta garanterar att elverktyget behåller säkerheten.

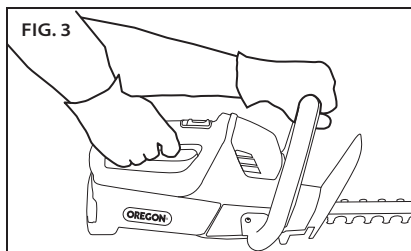
HÄCKSAX SÄKERHETSVARNINGAR



⚠ FARA: HÅLL HÄNDERNA BORTA FRÅN SKÄRBLADET. KONTAKT MED BLADET ORSAKAR ALLVARLIGA PERSONSKADOR.

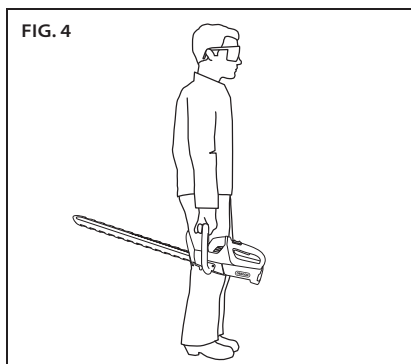
⚠ VARNING: ANVÄNDS ENDAST TILLSAMMANS MED HANDTAG OCH HANDSKYDD SOM ÄR KORREKT MONTERADE PÅ HÄCKSAXEN. DET FINNS RISK FÖR ALLVARLIGA PERSONSKADOR OM HÄCKSAXEN ANVÄNDS UTAN RÄTT SKYDD ELLER HANDTAG.

- Använd både händerna vid arbete med häcksaxen. Om du endast använder en hand kan du förlora kontrollen, vilket kan leda till allvarliga personskador (Fig. 3).



- Håll alla kroppsdelar borta från skärbladet. Medan bladen rör sig får du inte ta bort kapat material eller hålla i material som ska kapas. Se till att häcksaxen är avstängd innan du tar bort material som fastnat. Bladen glider fritt efter avstängning. *Ett ögonblick av ouppmärksamhet när häcksaxen används kan leda till allvarliga personskador.*

- Bär häcksaxen i handtaget med skärbladet stoppat (Fig. 4). *Sätt alltid fast skärenhetens hölje när häcksaxen ska transporteras eller förvaras. Risken för personskador från skärbladen minskar om häcksaxen hanteras korrekt.*



- Håll alltid elverktyget i de isolerade greppytorna, eftersom skärbladet kan komma i kontakt med dolda ledningar. *Skärblad som kommer i kontakt med en strömförande ledning kan göra exponerade metalldelar strömförande och ge användaren en elektrisk stöt.*
- Det finns inga delar i häcksaxen som kan repareras av användaren. *Utbyte av blad, service- och reparationsarbete kräver särskild utbildning. Se "Information om service och support" för kontaktinformation.*

FÖRVARING, TRANSPORT OCH AVFALLSHANtering

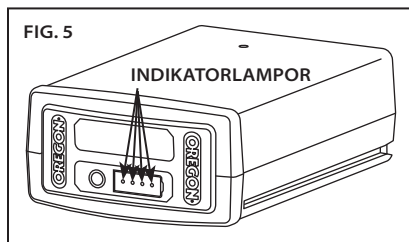
FÖRVARING AV HÄCKSAXEN

- Stryk smörjmedel på skärbladen. Se "Underhåll och rengöring" för mer information.
- Avlägsna batteripaketet från häcksaxen.
- Rengör häcksaxen noga.
- Installera bladskyddet.
- Förvaras på en torr plats.
- Förvaras utom räckhåll för barn eller husdjur.

FÖRVARING AV BATTERIPAKETET.

Följ dessa riktlinjer när batteripaketet ska förvaras längre än nio månader:

- Avlägsna batteripaketet från häcksaxen eller laddaren.
- Förvara svalt och torrt.
- Förvara utom räckhåll för barn eller husdjur.
- Förläng batteriets livslängd genom att aldrig förvara batteripaketet helt urladdade. (Fig. 5).



- Förvara vid temperaturer mellan -20 °C och 30 °C.



FÖRVARING AV LADDAREN

- Ta ur batteripaketet från laddaren.
- Koppla bort laddaren från strömkällan.
- Förvara på en torr plats.
- Förvara utom räckhåll för barn eller husdjur.

Se "Underhåll och rengöring" för mer information.

TRANSPORTERA HÄCKSAXEN

Förbered häcksaxen enligt beskrivningen i "Förvaring av häcksaxen" före transport.

TRANSPORT AV BATTERIPAKETET

Följ nationell lagstiftning vid frakt av Litiumjon-batterier. Obligatorisk märkning kan krävas.

AVFALLSHANtering AV HÄCKSAX OCH LADDARE

OREGON®-produkten är utformad och tillverkad av material och komponenter av hög kvalitet som kan återvinnas och återanvändas. När produkten är uttjänt ska den kasseras i enlighet med direktiv 2002/95/EG, separerat från hushållssoporna. I EU finns det separata insamlingsystem för begagnade elektriska och elektroniska produkter. Kassera utrustningen på ett miljövänligt sätt på en lokal sopstation eller återvinningscentral.

AVFALLSHANtering AV BATTERIPAKETET

Kasta inte batteripaketet i hushållssoporna. Elda inte upp batteripaketet. Din kommun har mer information om korrekt avfallshantering och återvinning i enlighet med miljöbestämmelser.



BATTERISÄKERHET

⚠ FARA: UNDERLÅTENHET ATT FÖLJA DESSA SÄKERHETSREGLER KAN MEDFÖRA LÄCKAGE AV FARLIGA KEMIKALIER FRÅN BATTERIET, ÖVERHETTNING, RÖKUTVECKLING, BRAND, EXPLOSION OCH/ELLER ANTÄNDNING.

⚠ VARNING: KASTA INTE BATTERIPAKETET BLAND HUSHÅLLSSOPORNA ELLER PÅ ÖPPEN ELD. LITIJON-BATTERIPAKET SKA LÄMNAS TILL EN LOKAL ÅTERVINNINGSTATION.

⚠ VARNING: UTSÄTT INTE BATTERIPAKETET FÖR STARK VÄRME, SOM T.EX. I EN BIL VID VARMT VÄDER. SÅDAN EXPONERING KAN LEDA TILL FÖRSÄMRAD PRESTANDA OCH/ELLER FÖRKORTAD LIVSLÄNGD. FÖRSÖK INTE ATT LADDA ETT EJ UPPLADNINGSBART BATTERIPAKET.

- Försök inte att plocka isär eller modifiera batteripaketet. Detta kan skada säkerhetsfunktionerna.
- Anslut inte pluspolen (+) och minuspolen (-) till metallföremål. Förvara inte batteripaketet tillsammans med metallföremål som t.ex. mynt eller skruvar. Detta kan orsaka kortslutning och generera tillräcklig värme för att ge brännskador.
- Batteripaketet får inte förbrännas eller utsättas för hög värme. Detta kan göra att isolering smälter eller att säkerhetsfunktioner skadas.

- Får inte användas, laddas eller förvaras i närheten av värme högre än 80 °C. Detta kan orsaka överhettning och intern kortslutning.
- Utsätt inte enheten för extrem väta. Detta kan skada säkerhetsfunktionerna, orsaka laddning med extremt hög spänning och ge upphov till onormala kemiska reaktioner.
- Använd endast laddare som är särskilt avsedd för batteripaketet och följ de säkerhetsanvisningar som anges under "Laddarens säkerhet". Användning av en annan laddare kan skada säkerhetsfunktionerna, orsaka laddning med extremt hög spänning och ge upphov till onormala kemiska reaktioner.
- Använd inte batteripaket av märket OREGON® i elverktyg av andra märken än OREGON®.
- Stick inte hål på batteripaketet, kasta eller slå på det. Använd heller inte ett skadat eller deformerat batteripaket.
- Försök inte ladda igen om uppladdningen misslyckas. Avlägsna batteripaketet omedelbart från häcksaxen eller laddaren om det avger lukt, blir missfärgat eller deformerat eller på något sätt verkar onormalt under användning, laddning eller förvaring.
- All vätska som läcker från batteriet är korroderande, kan skada ögon och hud och vara giftig om den sväljs.

LADDARENS SÄKERHET

VIKTIGA SÄKERHETSANVISNINGAR

⚠ VARNING: DENNA APPARAT ÄR INTE AVSEDD ATT ANVÄNDAS AV PERSONER (INKLUSIVE BARN) MED NEDSATT FYSISK, SENSORISK ELLER MENTAL FÖRMÅGA ELLER PERSONER UTAN ERFARENHET OCH KUNSKAP, SÅVIDA INTE DE ÄR UNDER UPSIKT ELLER HAR FÅTT INSTRUKTIONER AV EN PERSON SOM ÄR ANSVARIG FÖR DERAS SÄKERHET. BARN SKA HÅLLAS UNDER UPSIKT SÅ ATT DE INTE LEKER MED APPARATERNA.

⚠ VARNING: RISK FÖR ELEKTRISK STÖT. VID ANVÄNDNING UTOMHUS FÅR DEN ENDAST INSTALLERAS TILL ETT TÄCKT SKYDDAT KONTAKTDON AV KLOSS A GFCI, SOM ÄR VÄDERSKYDDAT MED KRAFTENHETEN ANSLUTEN TILL KONTAKTDONET. ÖVERLÅT INSTALLATIONEN TILL EN UTBILDAD ELEKTRIKER OM SÅDANT KONTAKTDON SAKNAS. SE TILL ATT KRAFTENHETEN OCH SLADDEN INTE HINDRAR KONTAKTDONETS HÖLJE FRÅN ATT STÄNGAS HELT.

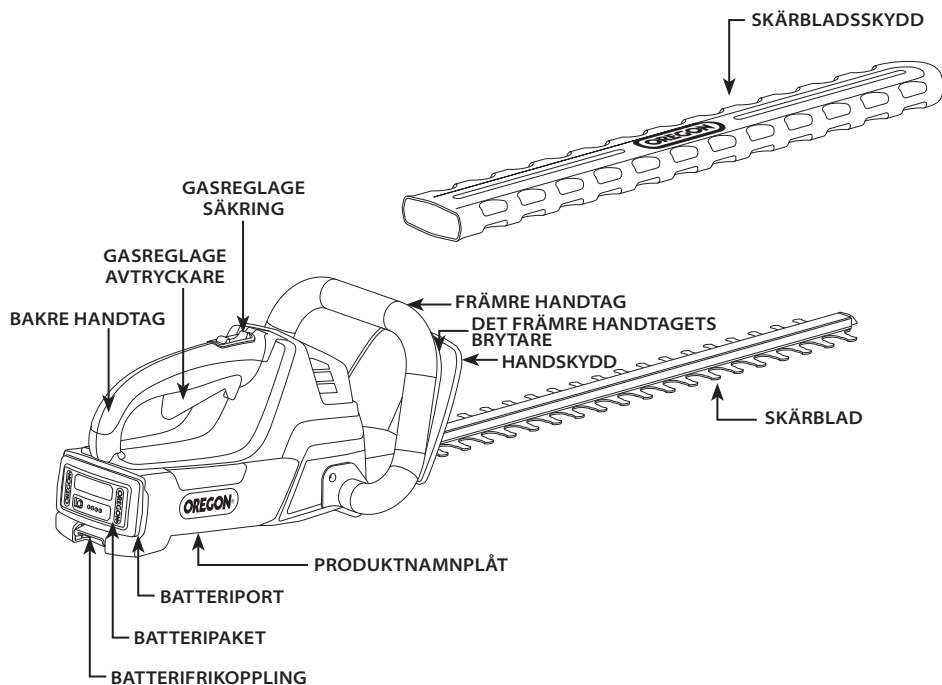
⚠ VARNING: ANVÄND ENDAST LADDAREN MED MEDFÖLJANDE NÄTSLADD OCH SE TILL ATT STICKKONTAKTEN ÄR AV RÄTT TYP FÖR ELUTTAGET.

När elektriska produkter används ska grundläggande försiktighetsåtgärder alltid vidtas, t.ex. följande:

- **Läs alla säkerhetsanvisningar före användning och följ dem.** *Läs alla anvisningar som finns på produkten eller som medföljer produkten och följ dem.*
- **Spara dessa anvisningar.**
- **Använd inte förlängningsladd.**
- **Hantera elsladden så att den inte skadas.** Använd aldrig sladden för att hänga upp, dra eller koppla ur elverktyget. Utsätt inte sladden för hög värme, olja, skarpa kanter eller rörliga delar. *Skadad eller intrasslad kabel ökar risken för elektrisk stöt.*
- **Utsätt inte laddaren för regn.** *Endast avsedd för inomhusbruk.*
- **Får ej användas inom 3 m från en bassäng.**
- **Får ej användas i badrum.**

PRODUKTIDENTIFIKATION

LÄR KÄNNA DIN HÄCKSAX



OBS! Under "Uppackning" finns en lista över det som ingår.

SPECIFIKATIONER OCH KOMPONENTER

RESERVDLAR		ARTIKELNR.
BATTERIPAKET, MODELL B400E		548206
LADDARE MED SLADD, MODELL C600		EU - 554933 UK - 554872 AU/NZ - 560663
LADDARE MED SLADD, MODELL C750		EU - 558697 UK - 558698 AU/NZ - 558699
LADDARE, MODELL C600		
INGÅNGSSPÄNNING	100-240 V~ 50-60 HZ 60 W	
UTGÅNGSSPÄNNING	41,5 V _{DC} 1,25 A	
NÄTSLADD	EU - 547383 UK - 547384 AU/NZ - 559380	
BATTERIPAKET, MODELL B400E		
VIKT	1,23 kg	
TYP	LITIJON	
MÄRKSPÄNNING	+37 VOLT DC	
DRIFTSTEMPERATURER	0 °C TILL 40 °C	
NOMINELL KAPACITET	2,40 Ah/89 Wh	
LADDNINGSTID (UNGEFÄRLIG)	120 MINUTER	
HÄCKSAX		
BLADLÄNGD	600 mm	
BLADTYP	DUBBEL BLOCKTYP	
MAXIMAL KLIPPNINGSHASTIGHET	2 750 SLAG PER MINUT	
MAXIMAL KLIPPNINGSDIAMETER	19 mm	
VIKT MED B400E	4,4 kg	
BULLERNIVÅ	74 dB L _{WA} (K, 0,18 dB)	
VIBRATION	1,16 m/s ² (K, 0,26 m/s ²)	

HÄCKSAX – NAMN OCH TERMINOLOGI

Bladet fastnar: Ett läge då skärbladen inte rör sig eftersom material har fastnat mellan bladens stationära och rörliga delar.

Säkerhetszon för åskådare: En cirkel med en radie på 3 m runt användaren där det inte får finnas åskådare, barn eller husdjur.

Skärblad: Den serie vassa ytor som skjuter ut från häcksaxens front och rör sig fram och tillbaka vid häckklippning.

Beskärningssäsong: Den bästa tiden för att klippa häckar varierar beroende på typ av planta, men det är i allmänhet lämpligt att klippa när tillväxten är långsam efter avslutad blomning. Kontakta en handelsträdgård för att få råd om att klippa specifika plantor.

Kapningshastighet: Häcksaxen har en varierbar klippningshastighet. Tryck hårdare på reglagetsavtryckare för att öka kapningshastigheten. För att få ut mesta möjliga kapningstid per laddning ska materialet kapas med lägsta möjliga hastighet.

Främre handtag: Stödhandtaget placerat mot häcksaxens framsida.

Det främre handtagets brytare: En u-formad brytare längs med det främre handtaget som förhindrar oavsiktlig aktivering av gasreglageavtryckaren tills den manuellt trycks undan.

Handskydd: En strukturbarriär mellan häcksaxens främre handtag och skärbladen.

Ny tillväxt: Den senaste tillväxten på en planta. Den är vanligen ljusare till färgen, mindre träaktig och mer flexibel än resten av plantan.

Bakre handtag: Stödhandtaget som sitter på eller nära bakkdelen på häcksaxen, där gasreglageavtryckaren sitter.

Reglageavtryckare: En enhet som kontrollerar skärbladets hastighet.

Avtryckarsäkring: Säkring som förhindrar oavsiktlig aktivering av häcksaxen tills den manuellt trycks undan.

ANVÄNDA HÄCKSAXEN

UPPACKNING

VAD FINNS DET I LÅDAN?

Häcksaxen är komplett monterad vid leveransen. Dessa föremål levereras tillsammans med häcksaxen:

- Häcksax
- Skärbladsskydd
- Bruksanvisning
- Laddare och nätsladd (om tillämpligt)
- Batteri (om tillämpligt)

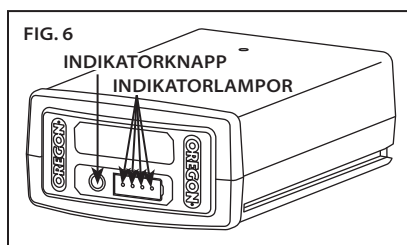
Inspektera häcksaxen noga efter att den tagits upp ur lådan för att säkerställa att den inte skadats under frakten och att inga delar saknas. Häcksaxen får inte användas om delar saknas eller är skadade. Kontakta kundsupporten för OREGON® Cordless Tool System för att skaffa reservdelar. Under "Nationell kundtjänst" hittar du de nationella telefonnumren.

BATTERIPAKET OCH LADDARE

⚠ VARNING: LADDA INTE BATTERIPAKETET I REGN.

LED-LADDNINGSINDIKATOR FÖR BATTERIPAKET

Litiumjon-batteriet har en LED-laddningsindikator. För att testa batteripaketets laddning, tryck ner indikatorknappen på batteripaketets framsida (Fig. 6).



Ingen lampa lyser: ladda.

En grön lampa med fast sken: mindre än 25 % laddning.

Ladda batteripaketet före användning.

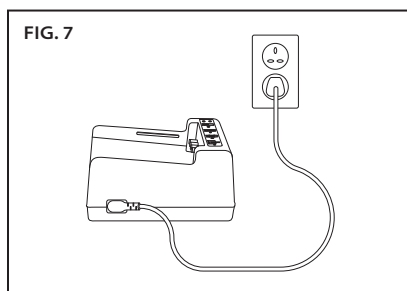
Två gröna lampor med fast sken: 26–50 % laddning.

Tre gröna lampor med fast sken: 51–75 % laddning.

Fyra gröna lampor med fast sken: 76–100 % laddning.

ANSLUTNING AV LADDAREN

Anslut laddningsladdan till laddaren och lämpligt eluttag (Fig. 7).



Använd endast anslutningskabel som levereras med laddaren. Kontrollera att stickkontakten passar för eluttaget första gången laddaren används.

LED-LADDNINGSDINDIKATOR

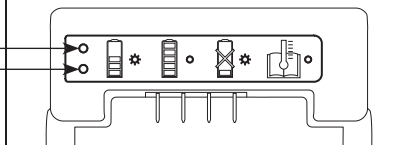
Batteriladdaren har en LED-indikator som visar laddningsstatus samt om laddningen kommer att ta längre tid eller om laddning inte är möjlig (Fig. 8).

Obs! Inga lampor lyser förrän ett batteripaket sätts i.

Blinkande orange ljus: laddningsfel. Det finns flera möjliga orsaker. Se "Felsökning" i denna manual.

Fast orange ljus: Batteripaketets temperatur är utanför tillåtet område (0 °C–40 °C). Låt batteripaketet nå temperatur inom tillåtet område före laddning. Paketet kan lämnas i laddaren medan det antar rätt temperatur. Laddningen startas när lämplig temperatur nås.

FIG. 8



Blinkande grönt ljus: laddning pågår.

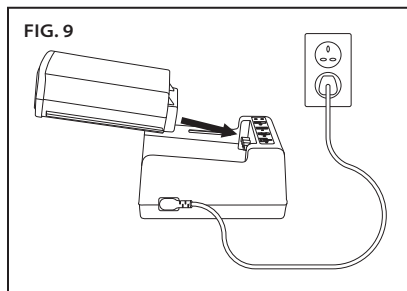
Grön lampa med fast sken: batteripaketet är REDO ATT ANVÄNDAS.

LADDNING AV BATTERIPAKETET

⚠ VARNING: OM INTE LÄMPLIG LADDNINGSPROCEDUR FÖLJS, KAN DET MEDFÖRA FARLIG SPÄNNING, ELEKTRISK STÖT, FÖRLORAD KONTROLL UNDER LADDNING, LÄCKAGE AV FARLIGA KEMIKALIER, ÖVERHETTNING, EXPLOSION ELLER BRAND.

Rikta in batteriets spår mot laddarens skenor när anslutningskabeln har kopplats till laddare och eluttag och för batteripaketet mot laddaren tills det är helt på plats (Fig. 9).

FIG. 9

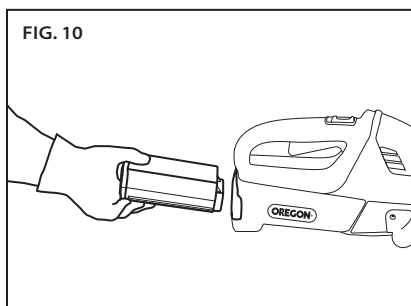


Kontrollera laddningsindikatorn för laddningsstatus.

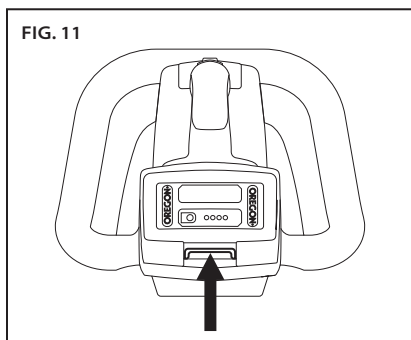
**ISÄTTNING OCH FRIKOPPLING AV
BATTERIPAKETET**

Använd endast de batteripaket av märket OREGON® som anges i den här bruksanvisningen.

Rikta in spåren på batteriet med skenorna i batteriporten. För in batteriet i häcksaxens batteriport genom att trycka framåt tills det klickar när det låser på plats (Fig. 10).



För att avlägsna batteripaketet, lyft batterifrikopplingen och avlägsna paketet (Fig. 11).

**ALLMÄN ANVÄNDNING**

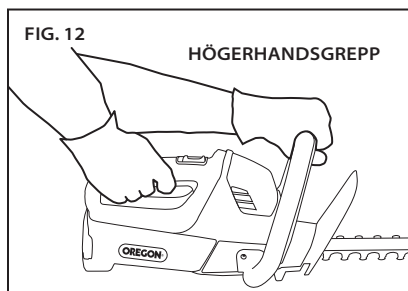
⚠ VARNING: BÄR ALLTID HANDSKAR OCH SKYDDSGLASÖGON.

DRIFTSTEMPERATUR

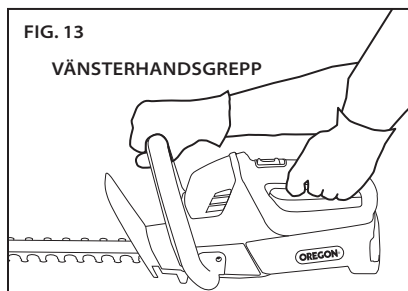
Den här häcksaxen är avsedd att användas i temperaturintervallet 0 °C till 40 °C.

GREPP

Greppa alltid verktyget med båda händerna. Om du är högerhänt placerar du häcksaxen på en fast och jämn yta och tar tag i det främre handtaget med vänster hand och i det bakre handtaget med höger hand. Fingrarna bör ligga över toppen på det främre handtaget och tummen under handtaget (Fig. 12).



Om du är vänsterhänt greppar du det främre handtaget med höger hand och det bakre handtaget med vänster hand (Fig. 13).



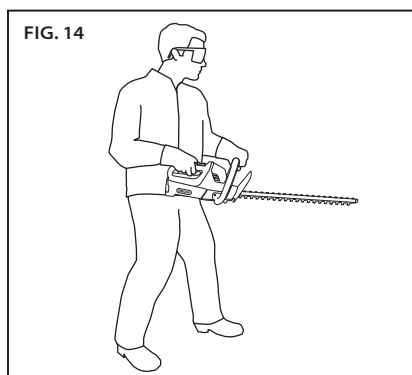
STÄLLNING

Båda fötterna ska vara på fast underlag, med vikten jämnt fördelad mellan dem.

Sträck dig inte för långt och stå inte på stege, fotpall eller någon upphöjning som inte är helt säker.



Håll häcksaxen så nära kroppen som möjligt för att bevara kontrollen (Fig. 14).

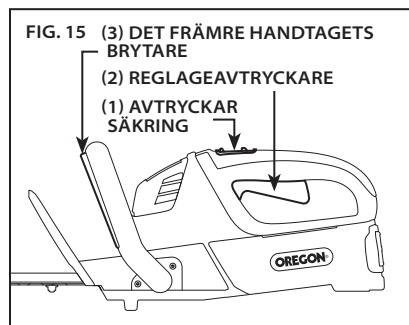


STOPPA HÄCKSAXEN

Stoppa häcksaxen genom att släppa reglageavtryckaren.

STARTA HÄCKSAXEN

Greppa det främre och bakre handtaget ordentligt. Dra avtryckarsäkring (1) bakåt med tummen (Fig. 15). Krama reglageavtryckaren. (2) tills skärbladen rör sig med önskad hastighet. Det främre handtagets brytare (3) är en säkerhetsfunktion; häcksaxen startar inte om inte brytaren är aktiverad.



KONTROLLERA SKÄRBLADENS HASTIGHET

Reglageavtryckaren styr skärbladens rotationshastighet. Öka kapningshastigheten genom att krama hårdare på reglageavtryckaren.

Använd lägsta möjliga tryck för att kapa materialet. Detta hjälper till att maximera kapningstiden per batteriladdning och minskar det antal laddningar som behövs.

KLIPPA HÄCKAR

NÄR SKA KLIPPNING SKE?

Den bästa tiden för att klippa häckar varierar beroende på typ av planta, men det är i allmänhet lämpligt att klippa när tillväxten är långsam efter avslutad blomning. Kontakta en handelsträdgård för att få råd om att klippa specifika plantor.

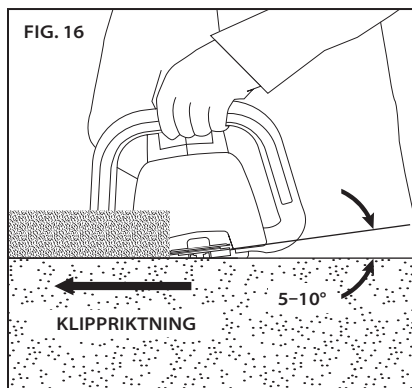
Följ alla tillämpliga nationella och lokala regler och föreskrifter för häckklippning.

GRUNDLÄGGANDE KLIPPNING

▲ VARNING: STÅ ALLTID STADIGT OCH HÅLL HÄCKSAXEN MED BÅDA HÄNDERNA MEDAN MOTORN ÄR IGÅNG.

Kontrollera att det inte finns några främmande föremål som kan skada bladen när häcken klipps. Ta bort alla objekt som kan störa klippningen.

Ta ett ordentligt grepp och stå stadigt innan du startar häcksaxen. Håll häcksaxen med skärbladen i 5–10° vinkel mot klippriktningen (Fig. 16).



VIKTIGT: IBLAND FASTNAR SKÄRBLADEN NÄR MATERIAL FASTNAR I DEM ELLER NÄR DE KOMMER I KONTAKT MED EN LEDNING ELLER ETT GALLERSTAKET. SE "ÅTGÄRDA BLAD SOM FASTNAT" FÖR INFORMATION OM HUR DU ÅTGÄRDAR DETTA.

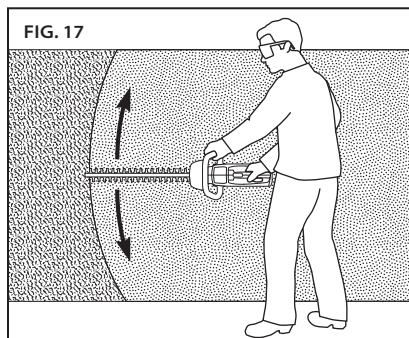
KLIPPNINGSSEKVENS

Om häcken är vältrimmad ska du inrikta dig på att klippa ny tillväxt tills häcken har önskad form.

Ta bort de större grenarna och trimma sedan häckens sidor till önskad längd med häcksaxen. När sidorna är klara trimmar du häckens övre del.

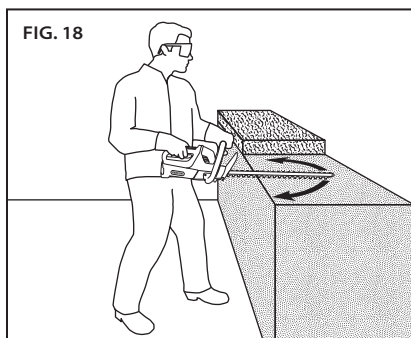
VERTIKAL KLIPPNING

Börja nedifrån när du klipper häckens sidor. Håll häcksaxen med skärbladen i 5–10° vinkel mot klippriktningen. Rör dig nedför häcken och svep långsamt med häcksaxen uppåt och nedåt i en vid båge (Fig. 17).



HORISONTELL KLIPPNING

Börja med den närmaste kanten när du klipper häcken upptill. Håll häcksaxen med skärbladen i 5–10° vinkel mot klippriktningen. Rör dig nedför häcken och svep långsamt med häcksaxen från vänster till höger i en vid båge (Fig. 18).



Luta dig inte över häcken om dess övre del är för bred för att klippa i ett svep med häcksaxen. Klipp istället den ena sidan först och flytta dig sedan för att klippa resten från andra sidan.

ÅTGÄRDA BLAD SOM FASTNAT

⚠ VARNING: TA ALLTID BORT BATTERIET INNAN DU ÅTGÄRDAR SKÄRBLAD SOM HAR FASTNAT, SÅ ATT DE INTE AKTIVERAS AV MISSTAG.

⚠ VARNING: SKÄRBLAD ÄR VASSA. BÄR ALLTID HANDSKAR NÄR DU RENSAR BORT MATERIAL FRÅN SKÄRBLAD.

Vid klippning av böjliga "gröna" grenar kan det klippa ibland fastna mellan skärbladens rörliga delar och den stationära delen. När detta händer kan skärbladen plötsligt sluta att röra sig. Detta kan även hända om skärbladen kommer i kontakt med material som de inte kan klippa igenom, som t.ex. gallerstaket. Material som har fastnat måste tas bort.

Följ dessa anvisningar för att ta bort materialet säkert och effektivt.

- Bär handskar.
- Avlägsna batteripaketet från häcksaxen. Se "Ta bort batteripaketet".
- Rensa bort det material som gör att skärbladen inte rör sig.

UNDERHÅLL OCH RENGÖRING

HÄCKSAX

⚠ VARNING: INSPEKTERA HÄCKSAXEN. REGELBUNDEN INSPEKTION ÄR DET FÖRSTA STEGET FÖR KORREKT UNDERHÅLL. FÖLJ RIKTLINJERNA NEDAN FÖR ATT MAXIMERA SÄKERHETEN OCH FÅ BÄSTA RESULTAT. SKADADE ELLER KRAFTIGT SLITNA DELAR SKA BYTAS UT OMEDELBART. UNDERLÅTENHET ATT IDENTIFIERA OCH BYTA UT SKADADE ELLER SLITNA DELAR KAN ORSAKA ALLVARLIG PERSONSKADA.

⚠ VARNING: TA BORT BATTERIPAKETET FRÅN HÄCKSAXEN FÖRE INSPEKTION, RENGÖRING ELLER UNDERHÅLL. ETT BATTERIDRIVET VERKTYG MED BATTERIPAKETET I ÄR ALLTID PÅ OCH KAN STARTA AV MISSTAG.

⚠ VARNING: SÄNK INTE NED HÄCKSAXEN I VATTEN ELLER ANDRA VÄTSKOR UNDER RENGÖRINGEN.

RENGÖR HÄCKSAXEN

- Torka bort damm, löv och gräs från häcksaxen.
- Gör rent luftventilerna så att luftflödet fungerar och ingen överhettning uppstår.
- Torka häcksaxens huvud med en ren trasa som fuktats med mild tvål och vatten.
- Använd aldrig starka rengörings- eller lösningsmedel.

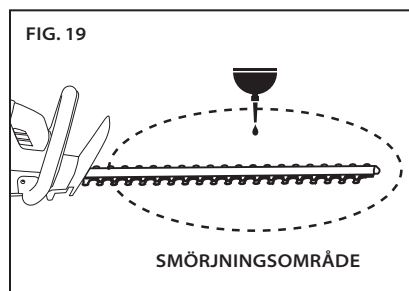
INSPEKTERA SKÄRBLADEN

Se till att skärbladen är vassa, inte har hack eller trubbiga kanter och att de inte fastnar eller hakar i när häcksaxen används. Fila ibland bort hack eller grader från bladen så att de rör sig fritt. Vassa skärblad som rör sig fritt klipper lättare än trubbiga blad eller blad som fastnar.

BLADSKÖTSEL

Bladen kan ibland fastna vid klippning av häckar med mycket sav eller i dammiga omgivningar. Förhindra detta genom att rengöra bladen med en tunn beläggning av flytande silikon på den yta av skärbladen som ska smörjas (Fig. 19) och kör bladen en kort stund för att sprida ut smörjmedlet jämnt.

VIKTIGT: SE TILL ATT SMÖRJMEDEL INTE DROPPAR INNANFÖR HÖLJET PÅ HÄCKSAXEN. ANVÄND ALDRIG FETTLÖSNINGSMEDEL ELLER VATTENAVSTÖTANDE AEROSOLPRODUKTER. SMÖRJ INTE FÖR MYCKET.



INSPEKTERA SPETSskyddet

Om ett spetskydd finns installerat ska du kontrollera att det inte är böjt eller skadat. Ett böjt spetskydd kan hindra skärbladen från att röra sig fritt. Låt ett auktoriserat serviceföretag byta ut ett böjt eller trasigt spetskydd.

INSTALLERA BLADSKYDDET

Dra bladskyddet över skärbladen för att hålla dem rena och förhindra att de fastnar eller skadar människor eller föremål.

INSPEKTERA HANDTAGEN

Se till att både de främre och de bakre handtagen är rena och torra och att de inte har sprickor eller andra skador. Ett skadat handtag som går sönder under användning kan orsaka allvarliga personskador.

INSPEKTERA BATTERIPORTEN

Se till att batteriporten är ren, torr och fri från skräp. Skräp i batteriporten kan förhindra en bra elektrisk förbindelse mellan batteripaketet och häcksaxen.

BATTERIPAKET

⚠ VARNING: DET FINNS INGA DELAR I BATTERIPAKETET SOM KAN REPARERAS AV ANVÄNDAREN. BATTERIPAKETET FÅR EJ DEMONTERAS.

Litiumjon-batterier har begränsad livstid. Om kapningstiden per laddning minskar tydligt så är batteripaketet nära slutet av sin livslängd och ska bytas ut.

- Se till att batteripaketet är rent, torrt och utan indikationer på hål, åverkan eller andra skador. Trasiga batterier kan orsaka brand eller sprida farliga kemikalier.
- Rengör smutsiga kontakter med en mjuk, torr trasa. Smuts eller olja kan medföra att elanslutningen blir dålig så att effekten blir sämre.

LADDARE

- Dra ur laddaren från eluttaget.
- Rengör smutsiga kontakter med en mjuk, torr trasa.

FELSÖKNING

Använd den här tabellen för att se möjliga lösningar på olika problem med häcksaxen. Se "Service och supportinformation" om dessa förslag inte löser problemet.

SYM TOM	MÖJLIG ORSAK	REKOMMENDERADE ÅTGÄRDER
Motorn går inte igång eller går bara stötvis	Batteriet urladdat	Ladda. Se "Laddning av batteripaketet".
	Främre handtagets brytare eller avtryckarsäkring inte aktiverad	Greppa det främre handtagets brytare och dra bakåt i avtryckarsäkringen innan du klämmer ihop gasreglageavtryckaren. Se "Starta häcksaxen".
	Batteripaketet inte helt infört	Tryck in batteripaketet i batteriporten tills det klickar på plats.
	Smutsiga batterikontakter	Ta bort batteripaketet, ta bort skräp från batteriporten och rengör sedan kontakterna med en ren och torr trasa.
	Batteripaketet kallt	Låt batteripaketet värmas upp till lägsta driftstemperatur på 0 °C.
Motorn går, men skärbladen rör sig inte	Föremål förhindrar att skärbladen rör sig	Se "Åtgärda blad som fastnat".
Häcksaxen klipper inte ordentligt	Kåda förhindrar att skärbladen rör sig	Se "Bladskötsel".
	Skärbladen är slöa	Låt slipa skärbladen.
Batteripaketet laddas inte	Batteripaketets över-/undertemperaturskydd aktiverat	Detta kan ske när häcksaxen körs kontinuerligt eller utsätts för höga temperaturer. Låt batteripaketet nå temperatur inom tillåtet område före laddning. Se "Laddning av batteripaketet".
	Smutsiga eller skadade kontakter på batteripaket eller laddare	Inspektera kontakterna på både batteripaketet och laddaren. Rengör enligt beskrivningen under "Underhåll och rengöring", sätt sedan tillbaka in i laddaren och kontrollera att den sitter ordentligt på plats.
	Batteripaketet är vid slutet av dess livslängd.	Alla batterier har begränsad livslängd. Om batteripaketet är mer än två år gammalt eller har laddats ofta, kan det vara dags att byta ut det. Byt endast ut mot batteripaket specificerat för häcksaxen.
	Fel på laddaren	Kontrollera funktionen på ett auktoriserat serviceföretag.

SYM TOM	MÖJLIG ORSAK	REKOMMENDERADE ÅTGÄRDER
Kort sågtid per batteriladdning	Skärbladen är slöa	Låt slipa skärbladen.
	Slitna skärblad	Byt ut skärbladen på ett auktoriserat serviceföretag.
	Böjda skärblad	Byt ut skärbladen på ett auktoriserat serviceföretag.
	Felaktig kapningsteknik	Följ anvisningarna i "Grundläggande klippning".
	Onödigt hög kapningshastighet	Tryck inte så hårt på gasreglageavtryckaren.
	Kåda förhindrar att skärbladen rör sig	Se "Bladskötsel".
	Batteripaketet inte helt laddat	Se "Laddning av batteripaketet".
Blinkande orange ljus på indikatorn för laddningsstatus	Kortslutning av laddaren, för hög spänning, öppen krets på batteripaketet eller laddning/förladdning tidutlösning fel	<ol style="list-style-type: none"> 1. Se till att laddarens sladd är ansluten till både laddaren och eluttaget. 2. Säkerställ att laddaren är inkopplad till rätt spänning. 3. Försök att ladda ett annat batteripaket som är avsett för laddaren. <p>Om detta inte löser problemet ska funktionen kontrolleras på ett auktoriserat serviceföretag.</p>

GARANTI OCH SERVICE

GARANTI

Blount, Inc. lämnar två (2) års garanti på alla registrerade OREGON® sladdlösa verktyg, batteripaket och laddare från ursprungligt inköpsdatum och ett (1) år vid användning i kommersiella syften. Denna begränsade garanti gäller för produkter tillverkade av OREGON® Cordless Tool System. Under garantiperioden erbjuder Blount utan ersättning endast den ursprungliga köparen utbyte eller reparation av alla produkter eller delar som enligt granskning av Blount har material- eller fabriktionsfel. Köparen ansvarar för alla frakt- och arbetskostnader för att returnera delar som återlämnas för utbyte under denna garanti.

SPARA ORIGINALKVITTOT

Fäst originalkvittot från det ursprungliga inköpet vid bruksanvisningen och spara det. Vid garantiservice ska produkten och kvittot tas med till den återförsäljare där produkten köptes. Det går även bra att kontakta oss via den information som ges under "Nationell kundtjänst".

INFORMATION OM SERVICE OCH SUPPORT

Besök vår webbplats **OregonCordless.com** för information om servicecenter, eller kontakta vår kundtjänst om du behöver hjälp, teknisk information, reparation eller reservdelar. Under "Nationell kundtjänst" hittar du de nationella telefonnumren.

Använd endast originalreservdelar till elverktyget för att få bästa säkerhet. På vårt servicecenter finns utbildad personal som snabbt ger hjälp och support vid justering, reparation eller utbyte av alla produkter från OREGON® Cordless Tool System.

EU-FÖRSÄKRAN OM ÖVERENSSTÄMMELSE

Blount International Inc. 4909 SE International Way, Portland Oregon, 97222 USA

FÖRSÄKRAR ATT FÖLJANDE PRODUKT/PRODUKTER:

Batteridriven häcksax av modell/modeller: **HT255**

C600 Batteriladdare

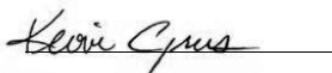
ÖVERENSSTÄMMER MED FÖLJANDE EUROPEISKA DIREKTIV OCH STANDARDER:

EU-DIREKTIV:

MASKINDIREKTIV 2006/42/EU

BOLAGSREPRESENTANT:

EUROPEISKT TEKNIKARKIV – KONTAKT:



Kevin Cyrus
Manager – Product Safety & Compliance
Blount International Inc.
Portland OR 97222 USA

Mr. Marnix Kuypers
Blount International-Europe-S. A.
Rue Emile Francqui, 5
B 1435 Mont-Saint-Guibert
Belgien

DATUM/ORT:

10 juli 2012, Portland OR

СОДЕРЖАНИЕ

УСЛОВНЫЕ ОБОЗНАЧЕНИЯ.	97
ПРАВИЛА ТЕХНИКИ БЕЗОПАСНОСТИ	98
ОБЩИЕ ПРЕДОСТЕРЕЖЕНИЯ ПО ТЕХНИКЕ БЕЗОПАСНОСТИ ПРИ РАБОТЕ С ЭЛЕКТРОИНСТРУМЕНТОМ	98
ТЕХНИКА БЕЗОПАСНОСТИ НА МЕСТЕ РАБОТ.	98
ПРАВИЛА ЭЛЕКТРОБЕЗОПАСНОСТИ	98
СРЕДСТВА ЛИЧНОЙ ЗАЩИТЫ	99
ИСПОЛЬЗОВАНИЕ ЭЛЕКТРОИНСТРУМЕНТА И УХОД ЗА НИМ	100
ИСПОЛЬЗОВАНИЕ ИНСТРУМЕНТА С ПИТАНИЕМ ОТ АККУМУЛЯТОРНОЙ БАТАРЕИ И УХОД ЗА НЕЙ	100
ОБСЛУЖИВАНИЕ	100
ПРЕДУПРЕЖДЕНИЯ ПО ТЕХНИКЕ БЕЗОПАСНОСТИ ДЛЯ САДОВЫХ НОЖНИЦ	100
ХРАНЕНИЕ, ТРАНСПОРТИРОВКА И УТИЛИЗАЦИЯ.	101
БЕЗОПАСНОЕ ОБРАЩЕНИЕ С ЗАРЯДНЫМ УСТРОЙСТВОМ	103
ОБЗОР.	104
КОМПОНЕНТЫ И ТЕХНИЧЕСКИЕ ХАРАКТЕРИСТИКИ	105
НАЗВАНИЯ И ТЕРМИНЫ ПО САДОВЫМ НОЖНИЦАМ	106
РАБОТА С САДОВЫМИ НОЖНИЦАМИ	107
РАСПАКОВКА	107
АККУМУЛЯТОРНАЯ БАТАРЕЯ И ЗАРЯДНОЕ УСТРОЙСТВО.	107
ОБЩИЕ УКАЗАНИЯ.	109
ОБРЕЗКА ЖИВЫХ ИЗГОРОДЕЙ	111
ТЕХНИЧЕСКОЕ ОБСЛУЖИВАНИЕ И ОЧИСТКА	113
САДОВЫЕ НОЖНИЦЫ.	113
АККУМУЛЯТОРНАЯ БАТАРЕЯ.	114
ЗАРЯДНОЕ УСТРОЙСТВО	114
ПОИСК И УСТРАНЕНИЕ НЕИСПРАВНОСТЕЙ.	115
ГАРАНТИЙНОЕ ОБСЛУЖИВАНИЕ	117
ДЕКЛАРАЦИЯ СООТВЕТСТВИЯ НОРМАМ ЕС.	118
ОБСЛУЖИВАНИЕ ПОКУПАТЕЛЕЙ В РАЗЛИЧНЫХ СТРАНАХ	418

УСЛОВНЫЕ ОБОЗНАЧЕНИЯ

ОБОЗНАЧЕНИЕ	НАЗВАНИЕ	ОБЪЯСНЕНИЕ
	КОНСТРУКЦИЯ КЛАССА II	СТРОИТЕЛЬНЫЕ ИНСТРУМЕНТЫ С ДВОЙНОЙ ИЗОЛЯЦИЕЙ.
	ПРЕДУПРЕЖДЕНИЕ ПО ТЕХНИКЕ БЕЗОПАСНОСТИ	ПРИВЕДЕННЫЙ НИЖЕ ТЕКСТ ОЧЕНЬ ВАЖЕН И СОДЕРЖИТ ПРАВИЛО ПО ТЕХНИКЕ БЕЗОПАСНОСТИ ИЛИ ПРЕДУПРЕЖДЕНИЕ.
	ПРОЧИТЕ ИНСТРУКЦИИ	ОРИГИНАЛЬНАЯ ИНСТРУКЦИЯ СОДЕРЖИТ ВАЖНЫЕ УКАЗАНИЯ ПО ТЕХНИКЕ БЕЗОПАСНОСТИ И ИНФОРМАЦИЮ ПО РАБОТЕ С ПРИБОРОМ. ПРОЧИТЕ ИНСТРУКЦИИ И ТЩАТЕЛЬНО ВЫПОЛНЯЙТЕ ИХ.
	ИСПОЛЬЗУЙТЕ ЗАЩИТНЫЕ ОЧКИ	ИСПОЛЬЗУЙТЕ ЗАЩИТНЫЕ ОЧКИ ПРИ РАБОТЕ С САДОВЫМИ НОЖНИЦАМИ.
	ИСПОЛЬЗУЙТЕ ЗАЩИТУ РУК	НАДЕВАЙТЕ ПЕРЧАТКИ ПРИ РАБОТЕ С САДОВЫМИ НОЖНИЦАМИ И ПРИ РАБОТЕ С РЕЖУЩИМИ ЛЕЗВИЯМИ.
	УРОВЕНЬ ШУМА	УРОВЕНЬ ШУМА — 74 ДБ.
	УДЕРЖАНИЕ ДВУМЯ РУКАМИ	УДЕРЖИВАЙТЕ САДОВЫЕ НОЖНИЦЫ ОБЕИМИ РУКАМИ.
	УДЕРЖАНИЕ ОДНОЙ РУКОЙ	НЕ ДЕРЖИТЕ САДОВЫЕ НОЖНИЦЫ ОДНОЙ РУКОЙ.
	НЕ СЖИГАЙТЕ	НЕ ПРОИЗВОДИТЕ УТИЛИЗАЦИЮ МЕТОДОМ СЖИГАНИЯ.
	НЕ ВЫБРАСЫВАЙТЕ	НЕ УТИЛИЗИРУЙТЕ НА СВАЛКЕ БЫТОВЫХ ОТХОДОВ. ОБРАТИТЕСЬ В АВТОРИЗОВАННУЮ КОМПАНИЮ, ЗАНИМАЮЩУЮСЯ УТИЛИЗАЦИЕЙ.
	НЕ ПОДВЕРГАЙТЕ ВОЗДЕЙСТВИЮ ДОЖДЯ	НЕ ВКЛЮЧАЙТЕ ЗАРЯДНОЕ УСТРОЙСТВО В УСЛОВИЯХ ПОВЫШЕННОЙ ВЛАЖНОСТИ.
	ДЛЯ ИСПОЛЬЗОВАНИЯ ТОЛЬКО В ПОМЕЩЕНИИ	ПРЕДНАЗНАЧЕНО ДЛЯ ИСПОЛЬЗОВАНИЯ ТОЛЬКО В ПОМЕЩЕНИИ.
	ОСМОТРИТЕ ИСТОЧНИК ПИТАНИЯ	ОСМОТРИТЕ ИСТОЧНИК ПИТАНИЯ И ЭЛЕКТРИЧЕСКИЙ КАБЕЛЬ ШНУР НА НАЛИЧИЕ ПОВРЕЖДЕНИЙ.
	РАБОЧАЯ ТЕМПЕРАТУРА	ИСПОЛЬЗУЙТЕ АККУМУЛЯТОРНУЮ БАТАРЕЮ ТОЛЬКО ПРИ ТЕМПЕРАТУРЕ ОТ 0°C ДО 40°C.
	РЕЖУЩИЙ ИНСТРУМЕНТ	РЕЖУЩИЙ ИНСТРУМЕНТ. ПРЕЖДЕ ЧЕМ ПРИКАСАТЬСЯ К ЛЕЗВИЯМ, ОТКЛЮЧИТЕ САДОВЫЕ НОЖНИЦЫ, ВЫНУВ ИЗ НИХ АККУМУЛЯТОРНУЮ БАТАРЕЮ.

ВВЕДЕНИЕ

Садовые ножницы предназначены для регулярной обрезки живой изгороди. Они предназначены для резки ветвей диаметром не более 19 мм. Использование не по назначению запрещено, так как при этом возможно получение травм.

ПРАВИЛА ТЕХНИКИ БЕЗОПАСНОСТИ

ОБЩИЕ ПРЕДОСТЕРЕЖЕНИЯ ПО ТЕХНИКЕ БЕЗОПАСНОСТИ ПРИ РАБОТЕ С ЭЛЕКТРОИНСТРУМЕНТОМ

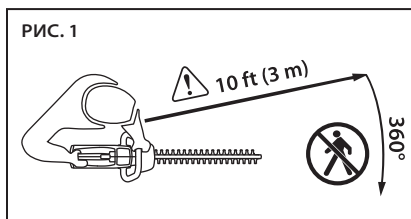
⚠ ПРЕДОСТЕРЕЖЕНИЕ. ВНИМАТЕЛЬНО ПРОЧИТЕ ВСЕ ПРЕДОСТЕРЕЖЕНИЯ И ИНСТРУКЦИИ ПО ТЕХНИКЕ БЕЗОПАСНОСТИ. НЕСОБЛЮЖДЕНИЕ ПРЕДОСТЕРЕЖЕНИЙ И ИНСТРУКЦИЙ МОЖЕТ ПОВЛЕЧЬ ЗА СОБОЙ ПОЛУЧЕНИЕ СЕРЬЕЗНЫХ ТРАВМ И/ИЛИ ПРИВЕСТИ К ПОЖАРУ.



СОХРАНИТЕ ВСЕ ПРЕДОСТЕРЕЖЕНИЯ И ИНСТРУКЦИИ, ЧТОБЫ МОЖНО БЫЛО ВПОСЛЕДСТВИИ К НИМ ОБРАТИТЬСЯ. ТЕРМИН «ЭЛЕКТРОИНСТРУМЕНТ» В ПРЕДУПРЕЖДЕНИЯХ ОБОЗНАЧАЕТ РАБОТАЮЩИЙ ОТ ЭЛЕКТРОСЕТИ ИНСТРУМЕНТ (С КАБЕЛЕМ) ИЛИ АККУМУЛЯТОРНЫЙ (БЕСПРОВОДНОЙ) ЭЛЕКТРОИНСТРУМЕНТ.

ТЕХНИКА БЕЗОПАСНОСТИ НА МЕСТЕ РАБОТ

- Поддерживайте чистоту рабочих областей, при работе обеспечьте хорошее освещение. *Работа в загроможденных или темных областях может стать причиной несчастных случаев.*
- Не используйте электроинструменты во взрывоопасных средах, например при наличии легко воспламеняющихся жидкостей, газов или пыли. Электроинструменты создают искры, которые могут вызвать воспламенение пыли или паров.
- Не позволяйте детям и посторонним лицам приближаться к вам во время работы с электроинструментом (рис. 1). Отвлечение внимания может привести к потере контроля.



⚠ ВНИМАНИЕ. ПЕРЕД НАЧАЛОМ РАБОТЫ С ЭТИМ ОБОРУДОВАНИЕМ СОЗДАЙТЕ ЗОНУ БЕЗОПАСНОГО НАБЛЮДЕНИЯ РАДИУСОМ 3 М.

Такая зона для посторонних лиц — это круг радиусом 3 м вокруг оператора, в нем не должно быть посторонних лиц, детей и домашних животных.

ПРАВИЛА ЭЛЕКТРОБЕЗОПАСНОСТИ

- Вилка электроинструмента должна соответствовать розетке. Ни в коем случае не изменяйте конструкцию вилки. Не используйте переходник вилки для заземленных (соединенных с заземлением) электроинструментов. При использовании неразборных вилок и соответствующих розеток, снижается риск поражения электрическим током.
- Не допускайте контакта тела с заземленными поверхностями, например с трубами, радиаторами, кухонными плитами и холодильниками. Риск поражения электрическим током повышается, если ваше тело заземлено.
- Не подвергайте электроинструменты воздействию дождя или влаги. Попавшая на электроинструмент вода повышает риск поражения электрическим током.
- Используйте электрический кабель в соответствии с правилами. Не используйте электрический кабель для переноски или перемещения инструмента или для выдергивания вилки из розетки. Избегайте воздействия нагревательных приборов, горячего, острых предметов и движущихся деталей. При использовании поврежденного или запутанного кабеля повышается риск поражения электрическим током.
- При работе с электроинструментом на улице используйте удлинитель, предназначенный для работы вне помещений. Использование кабеля, пригодного для применения вне помещений, снижает риск поражения электрическим током.

- При необходимости проведения работ с электроинструментом во влажной среде используйте устройство защитного отключения (УЗО), защищенный источник питания или выключатель короткого замыкания на землю (ВКЗЗ). При использовании УЗО (ВКЗЗ) снижается риск поражения электрическим током.
- Если кабель поврежден или перерезан, немедленно выньте вилку из сетевой розетки.

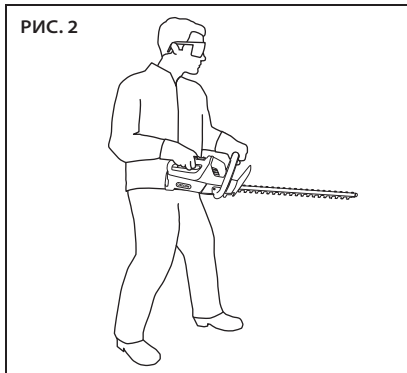
СРЕДСТВА ЛИЧНОЙ ЗАЩИТЫ



- Будьте внимательны, при работе с электроинструментом следите за своими действиями и руководствуйтесь здравым смыслом. Не используйте электроинструмент, если вы устали или находитесь под воздействием алкоголя или лекарственных препаратов. Кратковременная потеря внимания при работе с электроинструментом может привести к серьезной травме.
- Используйте средства защиты. Всегда надевайте защитные очки. Такое защитное оборудование, как респиратор, нескользящая защитная обувь, каска или наушники, используемые в соответствующих условиях, снижают риск получения травмы.
- Исключите возможность случайного включения электроинструмента. Перед подключением инструмента к источнику питания и/или к аккумуляторной батарее, а также перед тем как поднять или перенести его, удостоверьтесь, что выключатель находится в выключенном положении. Если при переноске электроинструмента держать палец на выключателе или если подать напряжение на электроинструмент при нахождении выключателя во включенном положении, это может привести к несчастному случаю.
- Перед включением электроинструмента снимите регулировочные или гаечные ключи. Если оставить ключ установленным на вращающейся части электроинструмента, то это может привести к получению травмы.

- Не перенапрягайтесь при работе. Всегда держите равновесие и принимайте устойчивое положение при работе (рис. 2). Это позволяет лучше контролировать электроинструмент в неожиданных ситуациях.

РИС. 2



- Надевайте соответствующую одежду. Не надевайте свободную одежду и украшения. Не допускайте контакта волос, одежды и перчаток с движущимися деталями. Свободная одежда, украшения или длинные волосы могут быть захвачены движущимися деталями.
- Если используются устройства, предназначенные для сбора пыли, убедитесь, что они подсоединены и используются правильно. При использовании пылесоса можно снизить опасность, связанную с воздействием пыли.
- Длительная работа с электроинструментом может стать причиной сосудистых, мышечных, или нервных расстройств (например, вызвать синдром белых пальцев или синдром Рейно). Для снижения риска получения травмы выполняйте следующие инструкции:
 - Надевайте перчатки и не допускайте охлаждения рук и тела.
 - Крепко удерживайте садовые ножницы, но не прилагайте длительно избыточное усилие.
 - Часто делайте перерывы.

Вибрация в нормальных условиях эксплуатации может отличаться от указанных значений в зависимости от обрабатываемого материала, технического обслуживания режущего оборудования и других факторов.

ИСПОЛЬЗОВАНИЕ ЭЛЕКТРОИНСТРУМЕНТА И УХОД ЗА НИМ

- Не перегружайте электроинструмент. Используйте электроинструмент, подходящий для вашей работы. *Соответствующий электроинструмент позволяет выполнить работу лучше и безопаснее со скоростью, на которую он был рассчитан.*
- Не используйте электроинструмент, если его выключатель сломан. *Любой электроинструмент, которым невозможно управлять с помощью выключателя, представляет опасность и подлежит ремонту.*
- Отсоедините вилку от источника питания и/или аккумуляторную батарею от электроинструмента перед настройкой, заменой принадлежностей или помещением электроинструмента на хранение. *Такие профилактические меры безопасности снижают риск случайного включения электроинструмента.*



- Храните электроинструменты в недоступном для детей месте; не позволяйте лицам, не знакомым с электроинструментом или данными инструкциями, работать с этим электроинструментом. *Электроинструменты представляют опасность, когда они находятся в руках неопытных пользователей.*
- Поддерживайте инструмент в работоспособном состоянии. Проверяйте точность совмещения и легкость перемещения подвижных деталей, выявляйте возможные поломки частей, которые могут повлиять на работу электроинструмента. В случае обнаружения повреждения электроинструмента отремонтируйте его перед последующим использованием. *Многие несчастные случаи являются следствием ненадлежащего ухода за электроинструментом.*
- Режущий инструмент должен быть острым и чистым. *При надлежащем уходе режущие инструменты с острыми режущими кромками режут заклинивают, их легче контролировать.*
- Используйте электроинструмент, принадлежности, режцы и т. д. в соответствии с настоящими инструкциями с учетом условий работы и особенностей выполняемой работы. *Использование электроинструмента не по назначению может привести к возникновению опасных ситуаций.*

ИСПОЛЬЗОВАНИЕ ИНСТРУМЕНТА С ПИТАНИЕМ ОТ АККУМУЛЯТОРНОЙ БАТАРЕИ И УХОД ЗА НЕЙ

- Производите зарядку только используя указанное производителем зарядное устройство. *Зарядное устройство, подходящее для аккумуляторной батареи одного типа, может создавать угрозу возникновения пожара при использовании с другой аккумуляторной батареей.*
- Используйте электроинструмент только с указанными аккумуляторными батареями. *Использование любых других аккумуляторных батарей может создать риск получения травм и возгорания.*
- Если аккумуляторная батарея не используется, то держите ее вдали от металлических предметов, таких как скрепки, монеты, ключи, гвозди, винты. Такие предметы могут замкнуть контакты. *Короткое замыкание контактов аккумулятора может привести к получению ожогов или возгоранию.*
- При неправильном обращении из аккумуляторной батареи может вытечь жидкость; не допускайте контакта с ней. *При случайном контакте смойте жидкость водой. Если эта жидкость попала в глаза, необходимо обратиться за медицинской помощью. Вытекающая из аккумуляторной батареи жидкость может вызвать раздражение или ожог.*

ОБСЛУЖИВАНИЕ

Техническое обслуживание вашего электроинструмента должен производить квалифицированный персонал, использующий только оригинальные запасные части. При этом можно будет гарантировать безопасность дальнейшей эксплуатации электроинструмента.

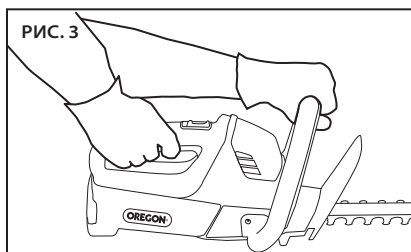
ПРЕДУПРЕЖДЕНИЯ ПО ТЕХНИКЕ БЕЗОПАСНОСТИ ДЛЯ САДОВЫХ НОЖНИЦ



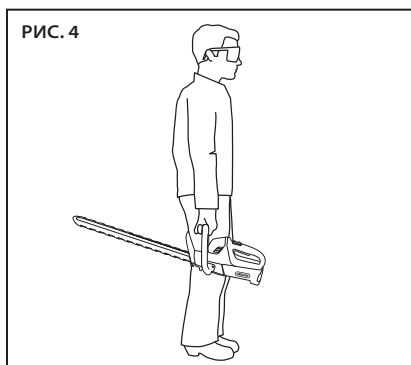
⚠ ОПАСНО. НЕ ПОДНОСИТЕ РУКИ К ЛЕЗВИЮ. КОНТАКТ С ЛЕЗВИЕМ ПРИВЕДЕТ К ПОЛУЧЕНИЮ СЕРЬЕЗНОЙ ТРАВМЫ.

▲ ПРЕДОСТЕРЕЖЕНИЕ.
ОБЯЗАТЕЛЬНО ИСПОЛЬЗУЙТЕ РУКОЯТКУ И ЗАЩИТУ, ПРАВИЛЬНО УСТАНОВЛЕННЫЕ НА САДОВЫХ НОЖНИЦАХ. ИСПОЛЬЗОВАНИЕ САДОВЫХ НОЖНИЦ БЕЗ УСТАНОВЛЕННОЙ НАДЛЕЖАЩИМ ОБРАЗОМ ЗАЩИТЫ ИЛИ РУЧКИ МОЖЕТ ПРИВЕСТИ К ПОЛУЧЕНИЮ СЕРЬЕЗНОЙ ТРАВМЫ.

- При работе с садовыми ножницами держите их двумя руками. Если держать их только одной рукой, то возможна потеря контроля, что приведет к получению серьезной травмы (рис. 3).



- Все части тела должны находиться вдали от режущего лезвия. Не удаляйте разрезаемые ветки или не держите срезаемые ветки, когда лезвия движутся. Перед удалением замаявшихся веток удостоверьтесь, что выключатель выключен. После выключения лезвия убираются. *Кратковременная потеря внимания при работе с электроинструментом может привести к серьезной травме.*
- Для переноски садовых ножниц используйте ручку, лезвие должно быть остановлено (рис. 4). При транспортировке или хранении садовых ножниц всегда надевайте крышку режущей части. Правильное обращение с садовыми ножницами позволяет уменьшить возможный риск травмы от режущих поверхностей.



- Берите электроинструмент только за изолированные поверхности, поскольку возможно возникновение электрического контакта между ножницами и скрытой электропроводкой. *Лезвия, имеющие контакт с находящимся под напряжением проводом, могут создать напряжение на открытых металлических частях электроинструмента, в результате оператор может получить удар электрическим током.*
- Садовые ножницы не имеют обслуживаемых пользователем частей. Для обслуживания и ремонта садовых ножниц необходимо специальное обучение. Контактная информация приведена в разделе «Информация по обслуживанию и поддержке».

ХРАНЕНИЕ, ТРАНСПОРТИРОВКА И УТИЛИЗАЦИЯ

ХРАНЕНИЕ САДОВЫХ НОЖНИЦ

- Нанесите смазку на режущие лезвия. Дополнительная информация приведена в разделе «Техническое обслуживание и очистка».
- Выньте аккумуляторную батарею из садовых ножниц.
- Произведите тщательную очистку садовых ножниц.
- Установите крышку лезвий.
- Храните ножницы в сухом месте.
- Храните ножницы в месте, недоступном для детей и домашних животных.

ХРАНЕНИЕ АККУМУЛЯТОРНОЙ БАТАРЕИ

При хранении батареи в течение срока свыше девяти месяцев соблюдайте следующие правила:

- Выньте аккумуляторную батарею из садовых ножниц или из зарядного устройства.
- Храните ее в сухом прохладном месте.
- Храните ее в месте, недоступном для детей и домашних животных.
- Чтобы продлить срок службы аккумуляторной батареи, никогда не храните ее в полностью разряженном состоянии. (рис. 5).



- Храните аккумуляторную батарею при температуре от -20°C до 30°C.



ХРАНЕНИЕ ЗАРЯДНОГО УСТРОЙСТВА

- Выньте аккумуляторную батарею из зарядного устройства.
- Отсоедините зарядное устройство от источника питания.
- Храните его в сухом месте.
- Храните его в месте, недоступном для детей и домашних животных.

Дополнительная информация приведена в разделе «Техническое обслуживание и очистка».

ТРАНСПОРТИРОВКА САДОВЫХ НОЖНИЦ

Перед отправкой подготовьте садовые ножницы так, как описано в разделе «Хранение садовых ножниц».

ТРАНСПОРТИРОВКА АККУМУЛЯТОРНОЙ БАТАРЕИ

Соблюдайте соответствующие правила, принятые в стране, по перевозке литий-ионных батарей. Может потребоваться маркировка.

УТИЛИЗАЦИЯ САДОВЫХ НОЖНИЦ И ЗАРЯДНОГО УСТРОЙСТВА

Продукт OREGON® был разработан и изготовлен с использованием высококачественных материалов и компонентов, которые могут быть переработаны и использованы повторно. После завершения срока эксплуатации продукта в соответствии с Директивой 2002/95/ЕС электроприборы должны утилизироваться отдельно от бытовых отходов. В Европейском Союзе существуют отдельные системы сбора использованного электрического и электронного оборудования. Произведите утилизацию этого оборудования без загрязнения окружающей среды, используя местный коммунальный центр сбора и переработки отходов.

УТИЛИЗАЦИЯ АККУМУЛЯТОРНОЙ БАТАРЕИ

Не выбрасывайте аккумуляторную батарею вместе с бытовыми отходами. Не сжигайте аккумуляторную батарею. Местные отделения организаций, занимающихся вывозом и утилизацией отходов, располагают информацией о правильном способе утилизации или переработки в соответствии с экологическими нормами.



БЕЗОПАСНОЕ ИСПОЛЬЗОВАНИЕ АККУМУЛЯТОРНОЙ БАТАРЕИ

⚠ ОПАСНО. НЕСОБЛЮЖДЕНИЕ ЭТИХ ПРАВИЛ ТЕХНИКИ БЕЗОПАСНОСТИ МОЖЕТ ПРИВЕСТИ К УТЕЧКЕ ОПАСНЫХ ХИМИЧЕСКИХ ВЕЩЕСТВ ИЗ АККУМУЛЯТОРНОЙ БАТАРЕИ, ЕЕ ПЕРЕГРЕВУ, ОБРАЗОВАНИЮ ДЫМА, ВЗРЫВУ, ВОСПЛАМЕНЕНИЮ И/ИЛИ ВОЗГОРАНИЮ.

⚠ ВНИМАНИЕ. НЕ ВЫБРАСЫВАЙТЕ БАТАРЕЮ В БЫТОВЫЕ ОТХОДЫ И НЕ СЖИГАЙТЕ ЕЕ. ЛИТИЙ-ИОННЫЕ АККУМУЛЯТОРНЫЕ БАТАРЕИ ДОЛЖНЫ БЫТЬ ПЕРЕРАБОТАНЫ МЕСТНОЙ АВТОРИЗОВАННОЙ ОРГАНИЗАЦИЕЙ, ЗАНИМАЮЩЕЙСЯ СБОРОМ ВТОРСЫРЬЯ.

⚠ ВНИМАНИЕ. НЕ ПОДВЕРГАЙТЕ БАТАРЕЮ ЧРЕЗМЕРНОМУ ПЕРЕГРЕВУ, КОТОРЫЙ МОЖЕТ ПРОИЗОЙТИ, НАПРИМЕР, В САЛОНЕ АВТОМОБИЛЯ В ЖАРКУЮ ПОГОДУ. ТАКОЕ ВОЗДЕЙСТВИЕ МОЖЕТ ПРИВЕСТИ К СОКРАЩЕНИЮ ЕМКОСТИ АККУМУЛЯТОРНОЙ БАТАРЕИ И/ИЛИ СОКРАЩЕНИЮ СРОКА ЕЕ СЛУЖБЫ. НЕ ПЫТАЙТЕСЬ ЗАРЯЖАТЬ БАТАРЕЮ, НЕ ПОДЛЕЖАЩУЮ ПЕРЕЗАРЯДКЕ.

- Не разбирайте аккумуляторную батарею и не вносите изменения в ее конструкцию. Это может привести к повреждению системы обеспечения безопасности.
- Не соединяйте положительную (+) и отрицательную (-) клеммы с металлическими предметами и не храните аккумуляторную батарею вместе с металлическими предметами, такими как монеты или винты. Это может привести к короткому замыканию, при этом может выделиться такой объем тепла, что возможно получение ожогов.
- Не сжигайте аккумуляторную батарею и не подвергайте ее воздействию высоких температур. При этом возможно расплавление изоляции или повреждение средств защиты.

- Не используйте аккумуляторную батарею, не заряжайте ее и не храните рядом с нагревателями, имеющими температуру выше 80°C. Это может привести к перегреву и внутреннему короткому замыканию.
- Не подвергайте аккумуляторную батарею воздействию слишком влажной среды. Это может привести к повреждению системы обеспечения безопасности, вызвать протекание очень сильного тока и высокое напряжения при зарядке, а также привести к протеканию аномальных химических реакций.
- Используйте только зарядное устройство, специально предназначенное для аккумуляторной батареи, выполняйте меры предосторожности, описанные в разделе «Безопасное обращение с зарядным устройством». При использовании другого зарядного устройства возможно повреждение системы обеспечения безопасности, протекание очень сильного тока и высокое напряжение при зарядке, а также аномальные химические реакции.
- Не используйте аккумуляторы OREGON® в инструментах, не имеющих логотипа OREGON®.
- Не ударяйте, не прокалывайте и не бросайте аккумуляторную батарею, а также не используйте поврежденную или деформированную аккумуляторную батарею.
- Если не удастся произвести зарядку аккумуляторной батареи, то не пытайтесь повторно зарядить ее. Если аккумуляторная батарея начала издавать запах, греться, изменила цвет или деформировалась при использовании, зарядке или хранении, немедленно выньте ее из садовых ножниц или зарядного устройства.
- Вытекающая из аккумуляторной батареи жидкость является едким веществом, она может вызвать повреждение глаз и кожи, при попадании внутрь она проявляет токсичные свойства.

БЕЗОПАСНОЕ ОБРАЩЕНИЕ С ЗАРЯДНЫМ УСТРОЙСТВОМ

ВАЖНЫЕ ПРАВИЛА ТЕХНИКИ БЕЗОПАСНОСТИ

⚠ ВНИМАНИЕ. ЭТО УСТРОЙСТВО НЕ ПРЕДНАЗНАЧЕНО ДЛЯ ИСПОЛЬЗОВАНИЯ ЛИЦАМИ (ВКЛЮЧАЯ ДЕТЕЙ) С ОГРАНИЧЕННЫМИ ФИЗИЧЕСКИМИ, СЕНСОРНЫМИ ИЛИ УМСТВЕННЫМИ СПОСОБНОСТЯМИ, ИЛИ ИМЕЮЩИМИ НЕДОСТАТОЧНЫЕ ЗНАНИЯ, ЕСЛИ ОНИ НЕ РАБОТАЮТ ПОД КОНТРОЛЕМ ИЛИ НЕ БЫЛИ ПРОИНСТРУКТИРОВАНЫ ЛИЦОМ, ОТВЕТСТВЕННЫМ ЗА ИХ БЕЗОПАСНОСТЬ. ДЕТИ ДОЛЖНЫ НАХОДИТЬСЯ ПОД ПРИСМОТРОМ, ЧТОБЫ ОНИ НЕ ИГРАЛИ С ЭТИМ ОБОРУДОВАНИЕМ.

⚠ ПРЕДОСТЕРЕЖЕНИЕ. ОПАСНОСТЬ ПОРАЖЕНИЯ ЭЛЕКТРИЧЕСКИМ ТОКОМ. ПРИ ИСПОЛЬЗОВАНИИ ВНЕ ПОМЕЩЕНИЯ ИСПОЛЬЗУЙТЕ ТОЛЬКО АТМОСФЕРОСТОЙКУЮ ЗАКРЫТУЮ РОЗЕТКУ КЛАССА ВКЗЗ, БЛОК ПИТАНИЯ ДОЛЖЕН БЫТЬ ПОДКЛЮЧЕН К ТАКОЙ РОЗЕТКЕ. ЕСЛИ ТАКАЯ РОЗЕТКА ОТСУТСТВУЕТ, ТО ОБРАТИТЕСЬ К КВАЛИФИЦИРОВАННОМУ ЭЛЕКТРИКУ ДЛЯ ЕЕ ПРАВИЛЬНОЙ УСТАНОВКИ. УБЕДИТЕСЬ, ЧТО БЛОК ПИТАНИЯ И ЭЛЕКТРИЧЕСКИЙ КАБЕЛЬ НЕ МЕШАЮТ ПОЛНОСТЬЮ ЗАКРЫТЬ КРЫШКУ РОЗЕТКИ.

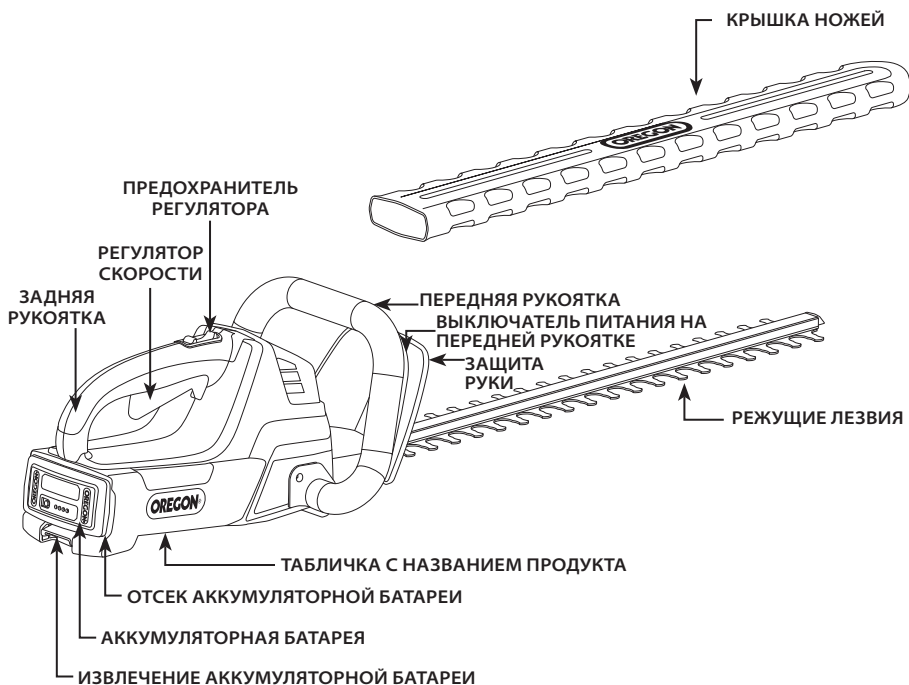
⚠ ВНИМАНИЕ. ИСПОЛЬЗУЙТЕ ЭТО ЗАРЯДНОЕ УСТРОЙСТВО ТОЛЬКО ВМЕСТЕ С ПРИЛАГАЕМЫМ ЭЛЕКТРИЧЕСКИМ КАБЕЛЕМ. УБЕДИТЕСЬ, ЧТО ВИЛКА СООТВЕТСТВУЕТ РОЗЕТКЕ.

При использовании электрических приборов необходимо всегда соблюдать основные меры предосторожности:

- Прочитайте все инструкции по технике безопасности перед использованием и всегда выполняйте их. Прочитайте все инструкции, которые нанесены на продукт или поставляются вместе с продуктом, и выполняйте их.
- Сохраните эти инструкции.
- Не используйте удлинитель.
- Используйте электрический кабель в соответствии с правилами. Не используйте электрический кабель для переноски или перемещения инструмента или для выдергивания вилки из розетки. Избегайте воздействия нагревательных приборов, горячего, острых предметов и движущихся деталей. При использовании поврежденного или запутанного кабеля повышается риск поражения электрическим током.
- Не подвергайте зарядное устройство воздействию дождя. Оно предназначено для использования только внутри помещения.
- Не используйте его на расстоянии менее 3 м от бассейна.
- Не используйте его в ванной комнате.

ОБЗОР

ИЗУЧИТЕ САДОВЫЕ НОЖНИЦЫ



ПРИМЕЧАНИЕ. Комплект поставки приведен в разделе «Распаковка».

КОМПОНЕНТЫ И ТЕХНИЧЕСКИЕ ХАРАКТЕРИСТИКИ

СЪЕМНЫЕ КОМПОНЕНТЫ		НОМЕР ДЕТАЛИ
АККУМУЛЯТОРНАЯ БАТАРЕЯ, МОДЕЛЬ В400Е		548206
ЗАРЯДНОЕ УСТРОЙСТВО С ЭЛЕКТРИЧЕСКИМ КАБЕЛЕМ, МОДЕЛЬ С600		EU - 554933 UK - 554872 AU/NZ - 560663
ЗАРЯДНОЕ УСТРОЙСТВО С ЭЛЕКТРИЧЕСКИМ КАБЕЛЕМ, МОДЕЛЬ С750		EU - 558697 UK - 558698 AU/NZ - 558699
ЗАРЯДНОЕ УСТРОЙСТВО, МОДЕЛЬ С600		
ВХОД	100–240 В, 50–60 ГЦ, 60 Вт	
ВЫХОД	41,5 В ₌₌₌ 1,25 А	
ЭЛЕКТРИЧЕСКИЙ КАБЕЛЬ	EU - 547383 UK - 547384 AU/NZ - 559380	
АККУМУЛЯТОРНАЯ БАТАРЕЯ, МОДЕЛЬ В400Е		
МАССА	1,23 кг	
ТИП	ЛИТИЙ-ИОННАЯ	
НОМИНАЛЬНОЕ НАПРЯЖЕНИЕ	+37 В, ПОСТ. ТОК	
ДИАПАЗОН РАБОЧИХ ТЕМПЕРАТУР	ОТ 0°С ДО 40°С	
НОМИНАЛЬНАЯ ЕМКОСТЬ	2,4 А·ч/89 Вт·ч	
ВРЕМЯ ЗАРЯДКИ (ПРИБЛИЗИТЕЛЬНОЕ)	120 МИНУТ	
САДОВЫЕ НОЖНИЦЫ		
ДЛИНА НОЖА	600 мм	
ТИП НОЖЕЙ	ДВОЙНЫЕ, СОВЕРШАЮЩИЕ ВОЗВРАТНО-ПОСТУПАТЕЛЬНЫЕ ДВИЖЕНИЯ	
МАКСИМАЛЬНАЯ СКОРОСТЬ РЕЗАНИЯ НОЖОМ	2 750 ДВИЖЕНИЙ В МИНУТУ	
МАКСИМАЛЬНЫЙ ДИАМЕТР ОТРЕЗАЕМЫХ ВЕТВЕЙ	До 19 мм	
МАССА С БАТАРЕЕЙ В400С	4,4 кг	
УРОВЕНЬ ЗВУКОВОЙ МОЩНОСТИ	74 дБ L _{WA} (К, 0,18 дБ)	
ВИБРАЦИИ	1,16 м/с ² (К, 0,26 м/с ²)	

НАЗВАНИЯ И ТЕРМИНЫ ПО САДОВЫМ НОЖНИЦАМ

Лезвие забилося: состояние, при котором режущие лезвия не двигаются из-за того что какие-то предметы застряли между подвижной и неподвижной частями режущих лезвий.

Зона безопасности постороннего лица: круг радиусом 3 м вокруг оператора, в котором не должно быть посторонних лиц, детей и домашних животных.

Режущие лезвия: несколько заточенных поверхностей, выступающих из передней части садовых ножниц, которые перемещаются взад и вперед для обрезки живой изгороди.

Сезон обрезки: идеальное время для обрезки живых изгородей, которое изменяется в зависимости от вида растения, но обычно предпочтительно производить обрезку в периоды медленного роста после завершения цветения. Проконсультируйтесь в местном питомнике и получите советы по обрезке конкретных растений.

Скорость стрижки травы: садовые ножницы имеют переменную скорость резания. Сильнее нажмите на регулятор для повышения скорости стрижки травы. Для максимального увеличения времени стрижки от каждой зарядки используйте минимальную скорость, необходимую для скашивания.

Передняя рукоятка: поддерживающая ручка, обращенная к передней части садовых ножниц.

Выключатель питания на передней рукоятке: п-образный выключатель на передней рукоятке, который исключает случайное срабатывание регулятора при отсутствии ручного привода.

Защита руки: препятствие между передней рукояткой садовых ножниц и режущими лезвиями

Молодая поросль: последняя выросшая часть растения. Как правило, она светлее, менее жесткая и более гибкая, чем остальные части растения.

Задняя ручка: поддерживающая ручка, обращенная к задней части садовых ножниц, где находится регулятор.

Регулятор скорости: устройство, управляющее скоростью резания ножей.

Предохранитель регулятора: подвижный упор, который предотвращает случайное включение садовых ножниц до включения вручную.

РАБОТА С САДОВЫМИ НОЖНИЦАМИ

РАСПАКОВКА

СОДЕРЖИМОЕ КОРОБКИ

Садовые ножницы поставляются в полностью собранном состоянии. Следующие позиции поставляются вместе с садовыми ножницами:

- Садовые ножницы
- Крышка ножей
- Инструкция по эксплуатации
- Зарядное устройство и электрический кабель (при наличии)
- Аккумуляторная батарея (при наличии)

Достав садовые ножницы из коробки, внимательно осмотрите их, чтобы убедиться в отсутствии повреждений во время транспортировки и в наличии всех частей. Если какие-либо части повреждены или отсутствуют, не используйте садовые ножницы. Обратитесь в компанию OREGON® Cordless Tool System для приобретения запасных частей. Номера телефонов в конкретных странах приведены в разделе «Обслуживание покупателей в различных странах».

АККУМУЛЯТОРНАЯ БАТАРЕЯ И ЗАРЯДНОЕ УСТРОЙСТВО

▲ ПРЕДОСТЕРЕЖЕНИЕ. НЕ ЗАРЯЖАЙТЕ АККУМУЛЯТОРНУЮ БАТАРЕЮ ПОД ДОЖДЕМ.

АККУМУЛЯТОРНАЯ БАТАРЕЯ И ИНДИКАТОР УРОВНЯ ЗАРЯДКИ

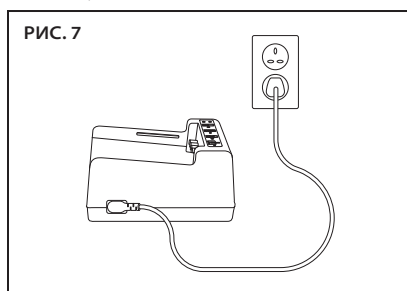
Литий-ионная аккумуляторная батарея имеет светодиодный индикатор уровня зарядки. Для проверки уровня зарядки аккумуляторной батареи нажмите на кнопку индикатора, расположенную на внешней стороне аккумуляторной батареи (рис. 6).



- Индикатор не светится: требуется зарядка.
- Постоянно светится один зеленый индикатор: зарядка менее 25%. Зарядите аккумуляторную батарею перед использованием.
- Постоянно светятся два зеленых индикатора: уровень зарядки 26–50%.
- Постоянно светятся три зеленых индикатора: уровень зарядки 51–75%.
- Постоянно светятся четыре зеленых индикатора: уровень зарядки 76–100%.

ПОДКЛЮЧЕНИЕ ЗАРЯДНОГО УСТРОЙСТВА

Подключите кабель зарядного устройства к соответствующей электрической розетке (рис. 7).



Используйте только электрический кабель, поставляемый вместе с зарядным устройством. При первом использовании удостоверьтесь, что вилка соответствует розетке.

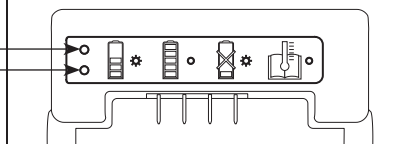
ЗАРЯДНОЕ УСТРОЙСТВО И ИНДИКАТОР СОСТОЯНИЯ ЗАРЯДА

Зарядное устройство аккумуляторной батареи имеет светодиодный индикатор заряда, который показывает состояние заряда, а также условия, которые могут увеличить время зарядки или не допустить ее (рис. 8).

Примечание. Если аккумуляторная батарея не установлена, то индикатор не работает.

- Мигает оранжевый индикатор: состояние ошибки. Имеется несколько возможных причин неисправности. См. раздел «Поиск и устранение неисправностей» в этом руководстве.
- Постоянно светится оранжевый индикатор: температура аккумуляторной батареи находится вне допустимого диапазона температур (от 0°C до 40°C). Необходимо охладить или нагреть аккумуляторную батарею до допустимого диапазона температур перед зарядкой. Аккумуляторную батарею можно оставить в зарядном устройстве для изменения ее температуры. Зарядка начнется по достижении требуемой температуры.

РИС. 8

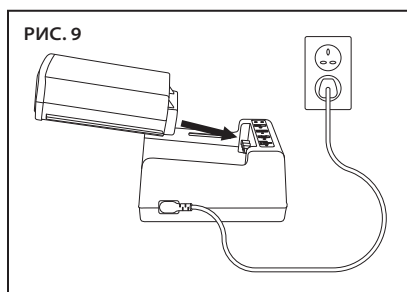


- Мигает зеленый индикатор: аккумуляторная батарея заряжается.
- Постоянно светится зеленый индикатор: аккумуляторная батарея ГОТОВА К ИСПОЛЬЗОВАНИЮ.

ЗАРЯДКА АККУМУЛЯТОРНОЙ БАТАРЕИ

⚠ ПРЕДОСТЕРЕЖЕНИЕ. ЕСЛИ ПРОВОДИТЬ ЗАРЯДКУ НЕКОРРЕКТНО, ТО ВОЗМОЖНО СОЗДАНИЕ ИЗБЫТОЧНОГО НАПРЯЖЕНИЯ, ПРОТЕКАНИЕ ИЗБЫТОЧНОГО ТОКА, ПОТЕРЯ КОНТРОЛЯ ПРИ ЗАРЯДКЕ, УТЕЧКА ВРЕДНЫХ ХИМИЧЕСКИХ ВЕЩЕСТВ, ОБРАЗОВАНИЕ ТЕПЛА, ВЗРЫВ ИЛИ ВОЗГОРАНИЕ.

Кабель зарядного устройства должен быть подключен к электрической розетке; установите аккумуляторную батарею так, чтобы углубления в батарее совпали с направляющими зарядного устройства, и вставляйте аккумуляторную батарею в зарядное устройство до упора (рис. 9).

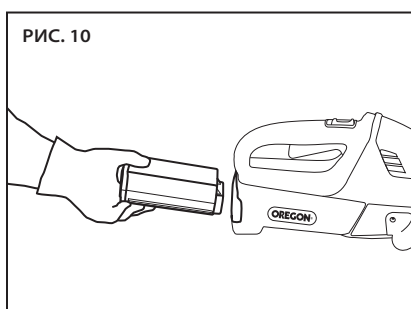


Проверьте состояние индикатора заряда, он должен показывать зарядку.

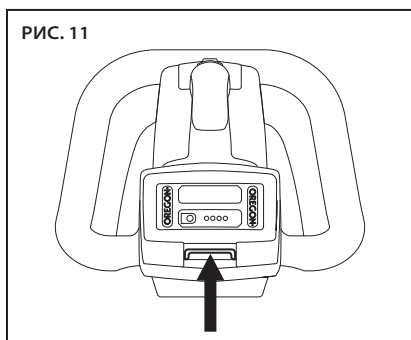
КАК ВСТАВИТЬ И КАК ДОСТАТЬ АККУМУЛЯТОРНУЮ БАТАРЕЮ

Используйте только аккумуляторные батареи марки OREGON®, описанные в этой инструкции по эксплуатации.

Установите аккумуляторную батарею так, чтобы углубления в батарее совпали с направляющими отсека батареи садовых ножниц. Вставляйте аккумуляторную батарею в направляющие отсека батареи садовых ножниц, нажимая на нее до щелчка при фиксации в требуемом положении (рис. 10).



Чтобы достать аккумуляторную батарею, поднимите защелку батареи и выньте батарею (рис. 11).



ОБЩИЕ УКАЗАНИЯ



▲ ПРЕДОСТЕРЕЖЕНИЕ. ВСЕГДА ИСПОЛЬЗУЙТЕ РЕКОМЕНДУЕМЫЕ ПЕРЧАТКИ И ЗАЩИТНЫЕ ОЧКИ.

РАБОЧАЯ ТЕМПЕРАТУРА

Садовые ножницы предназначены для работы в диапазоне температур от 0°C до 40°C.

КАК ДЕРЖАТЬ ИНСТРУМЕНТ

Всегда держите инструмент обеими руками. Правша должен поставить ножницы на твердую ровную поверхность, взяться за переднюю рукоятку левой рукой, а за заднюю рукоятку – правой рукой. Обхватите пальцами переднюю рукоятку сверху, а большим пальцем снизу (рис. 12).



Левша должен взяться за переднюю рукоятку правой рукой, а за заднюю рукоятку – левой рукой (рис. 13).



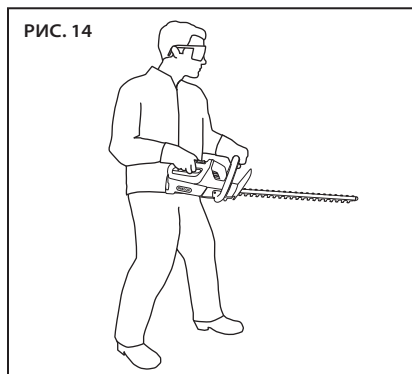
СТОЙКА

Стойте обеими ногами на твердой земле, вес должен быть равномерно распределен между ногами.

Не тянитесь слишком далеко и не стойте на лестнице, стуле-стремянке или в любом поднятом положении, которое не является полностью безопасным.



Держите садовые ножницы как можно ближе к телу, чтобы сохранять контроль (рис. 14).

**ОСТАНОВКА САДОВЫХ НОЖИЦ**

Отпустите регулятор, чтобы остановить садовые ножницы.

ПУСК САДОВЫХ НОЖИЦ

Прочно сожмите переднюю и заднюю рукоятки. Отведите назад предохранитель ножниц (1) большим пальцем (рис. 15). Нажимайте регулятор (2) до тех пор, пока режущие лезвия не начнут двигаться с требуемой скоростью. Переключатель на передней ручке (3) обеспечивает безопасность; садовые ножницы не запустятся, если он не включен.

**УПРАВЛЕНИЕ СКОРОСТЬЮ РЕЗАНИЯ НОЖЕЙ**

Регулятор управляет скоростью колебания режущих лезвий. Сильнее нажмите на регулятор для увеличения скорости.

Используйте наименьшую силу нажима, требуемую для стрижки травы. Это помогает предельно удлинить время работы от одной зарядки аккумулятора и уменьшает количество необходимых операций зарядки.

ОБРЕЗКА ЖИВЫХ ИЗГОРОДЕЙ

КОГДА ПРОИЗВОДИТЬ ОБРЕЗКУ

Идеальное время для обрезки живых изгородей изменяется в зависимости от вида растения, но обычно предпочтительно производить обрезку в периоды медленного роста после завершения цветения. Проконсультируйтесь в местном питомнике и получите советы по обрезке конкретных растений.

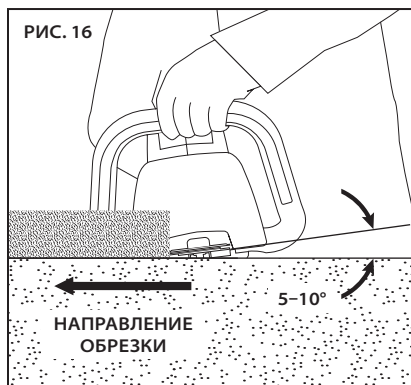
Соблюдайте все соответствующие национальные и муниципальные нормы и правила обрезки живых изгородей.

ОСНОВНАЯ ОБРЕЗКА

▲ ПРЕДОСТЕРЕЖЕНИЕ. ВСЕГДА ОБЕСПЕЧИВАЙТЕ НАДЕЖНУЮ ОПОРУ И УДЕРЖИВАЙТЕ САДОВЫЕ НОЖНИЦЫ ОБЕИМИ РУКАМИ ВО ВРЕМЯ РАБОТЫ ДВИГАТЕЛЯ.

Перед обрезкой проверьте, нет ли в изгороди посторонних предметов, чтобы избежать повреждения ножей. Уберите все предметы, которые могут препятствовать обрезке.

Возьмите ножницы должным образом, примите необходимую стойку, а затем включите садовые ножницы. Держите садовые ножницы так, чтобы режущие лезвия находились под углом 5–10° к направлению обрезки (рис. 16).



ВАЖНО. ИНОГДА РЕЖУЩИЕ ЛЕЗВИЯ ЗАБИВАЮТСЯ И ПЕРЕСТАЮТ ДВИГАТЬСЯ, КОГДА ОБРЕЗКИ СКАПЛИВАЮТСЯ В РЕЖУЩИХ ЛЕЗВИЯХ ИЛИ КОГДА В ЛЕЗВИЯ ПОПАДАЕТ ПРОВОЛОКА ИЛИ ЗАБОР. ЧТОБЫ УЗНАТЬ, ЧТО ДЕЛАТЬ В ЭТОМ СЛУЧАЕ, СМ. РАЗДЕЛ «ОЧИСТКА ЗАБИВШИХСЯ ЛЕЗВИЙ».

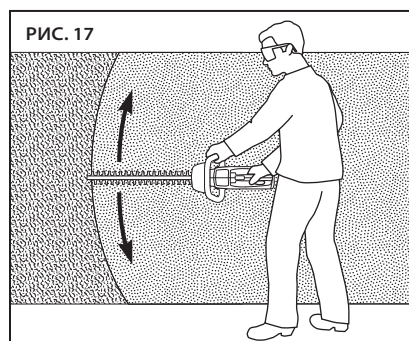
ПОСЛЕДОВАТЕЛЬНОСТЬ ОБРЕЗКИ

Если изгородь правильно подготовлена, сосредоточьтесь на обрезке молодой поросли до тех пор, пока изгородь не приобретет требуемую форму.

После удаления всех крупных ветвей используйте ножницы для обрезки боков изгороди до нужной длины. Обрежьте верхнюю часть изгороди после оформления сторон.

ВЕРТИКАЛЬНАЯ ОБРЕЗКА

При обрезке стороны изгороди начинайте с нижней части изгороди. Держите ножницы так, чтобы режущие лезвия находились под углом 5–10° к направлению резания. Перемещайтесь вниз по линии изгороди, медленно поднимая и опуская ножницы по широкой дуге (рис. 17).



ГОРИЗОНТАЛЬНАЯ ОБРЕЗКА

При обрезке в верхней части изгороди начинайте с ближайшего края.

Держите ножницы так, чтобы режущие лезвия находились под углом 5–10° к направлению резания. Перемещайтесь вниз по линии изгороди, медленно поднимая и опуская ножницы по широкой дуге (рис. 18).

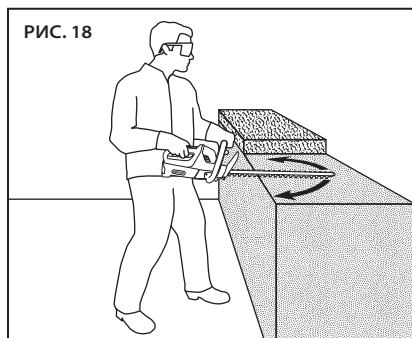


РИС. 18

Если верхняя часть изгороди слишком широка, чтобы обрезать ее ножницами за один проход, не наклоняйтесь над изгородью, чтобы обрезать остающуюся часть. Вместо этого сделайте один проход вниз по одной стороне изгороди, а затем обрежьте остальную часть с другой стороны.

ОЧИСТКА ЗАБИВШИХСЯ ЛЕЗВИЙ

⚠ ВНИМАНИЕ. ВСЕГДА ВЫНИМАЙТЕ АККУМУЛЯТОРНУЮ БАТАРЕЮ ПЕРЕД ОЧИСТКОЙ РЕЖУЩИХ ЛЕЗВИЙ, ЧТОБЫ ИСКЛЮЧИТЬ СЛУЧАЙНОЕ ВКЛЮЧЕНИЕ РЕЖУЩИХ ЛЕЗВИЙ.

⚠ ВНИМАНИЕ. РЕЖУЩИЕ ЛЕЗВИЯ ОСТРО ЗАТОЧЕНЫ. ВСЕГДА НАДЕВАЙТЕ ПЕРЧАТКИ ПРИ ОЧИСТКЕ РЕЖУЩЕГО ЛЕЗВИЯ ОТ ПОСТОРОННИХ ПРЕДМЕТОВ.

Иногда при обрезке гибкой «зеленой» поросли срезанные ветки могут застрять между движущимися частями режущих лезвий и неподвижной частью. При этом режущие лезвия могут внезапно остановиться. То же самое может произойти, если в режущие лезвия попадают слишком прочные предметы, которые невозможно разрезать, например сетчатый забор. Такое состояние называется забившимися лезвиями.

Выполняйте следующие рекомендации, чтобы безопасно и эффективно очистить ножи.

- Используйте перчатки.
- Выньте аккумуляторную батарею из садовых ножниц. См. раздел «Удаление аккумуляторной батареи».
- Удалите предметы, которые не дают режущим лезвиям двигаться.

ТЕХНИЧЕСКОЕ ОБСЛУЖИВАНИЕ И ОЧИСТКА

САДОВЫЕ НОЖНИЦЫ

⚠ ПРЕДОСТЕРЕЖЕНИЕ. ОСМАТРИВАЙТЕ САДОВЫЕ НОЖНИЦЫ. РЕГУЛЯРНЫЙ ОСМОТР ЯВЛЯЕТСЯ ПЕРВЫМ ШАГОМ НАДЛЕЖАЩЕГО ТЕХНИЧЕСКОГО ОБСЛУЖИВАНИЯ. ДЛЯ ОБЕСПЕЧЕНИЯ МАКСИМАЛЬНОЙ БЕЗОПАСНОСТИ ВЫПОЛНЯЙТЕ ПРИВЕДЕННЫЕ НИЖЕ РЕКОМЕНДАЦИИ. ПРИ ПОВРЕЖДЕНИИ ИЛИ ЧРЕЗМЕРНОМ ИЗНОСЕ ЧАСТЕЙ СЛЕДУЕТ НЕМЕДЛЕННО ЗАМЕНЯТЬ ИХ. ЕСЛИ НЕ ВЫЯВЛЯТЬ И НЕ ЗАМЕНЯТЬ ПОВРЕЖДЕННЫЕ ИЛИ ИЗНОШЕННЫЕ ДЕТАЛИ, ТО МОЖНО ПОЛУЧИТЬ СЕРЬЕЗНУЮ ТРАВМУ.

⚠ ПРЕДОСТЕРЕЖЕНИЕ. ПЕРЕД ОСМОТРОМ, ЧИСТКОЙ ИЛИ ОБСЛУЖИВАНИЕМ УДАЛИТЕ БАТАРЕЮ ИЗ САДОВЫХ НОЖНИЦ. ИНСТРУМЕНТ ВСЕГДА ВКЛЮЧЕН, КОГДА АККУМУЛЯТОРНАЯ БАТАРЕЯ ВСТАВЛЕНА. ОН МОЖЕТ НАЧАТЬ РАБОТАТЬ НЕПРОИЗВОЛЬНО.

⚠ ВНИМАНИЕ. ПРИ ОЧИСТКЕ САДОВЫХ НОЖНИЦ НЕ ПОГРУЖАЙТЕ ИХ В ВОДУ ИЛИ В ДРУГИЕ ЖИДКОСТИ.

ОЧИСТКА САДОВЫХ НОЖНИЦ

- Вытрите пыль, удалите листья и обрезки из садовых ножниц.
- Очистите вентиляционные отверстия для обеспечения требуемой циркуляции воздуха и предотвращения перегрева.
- Протрите головку чистой тканью, смоченной водным раствором мягкого мыла.
- Никогда не используйте агрессивные чистящие средства и растворители.

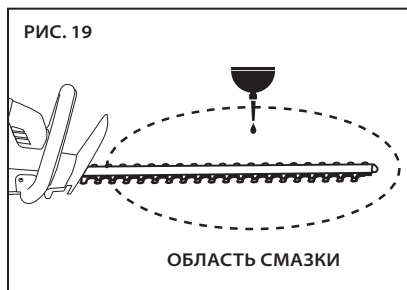
ОСМОТРИТЕ РЕЖУЩИЕ ЛЕЗВИЯ

Удостоверьтесь, что режущие лезвия острые, не имеют вмятин или тупых краев, не застревают и не блокируются при работе садовых ножниц. Периодически спиливайте зазубрины и заусенцы, чтобы лезвия могли свободно двигаться. Острые и свободно движущиеся режущие лезвия режут легче, чем тупые или заклинивающие лезвия.

УХОД ЗА ЛЕЗВИЯМИ

При обрезке молодых живых изгородей или при работе в пыльной среде налипший сок и грязь могут иногда вызывать залипание лезвий, очистите лезвия и нанесите на них тонкий слой жидкой силиконовой смазки только в области смазки режущего лезвия (рис. 19) и затем кратковременно включите ножницы, чтобы равномерно распределить смазку.

ВАЖНО. НЕ ДОПУСКАЙТЕ ПОПАДАНИЯ СМАЗКИ ВНУТРЬ КОРПУСА САДОВЫХ НОЖНИЦ. НИКОГДА НЕ ИСПОЛЬЗУЙТЕ ДЛЯ СМАЗКИ РАСТВОРИТЕЛИ ИЛИ ВЫТЕСНЯЮЩИЕ ВОДУ АЭРОЗОЛЬНЫЕ ПРОДУКТЫ. НЕ НАНОСИТЕ ЧРЕЗМЕРНОЕ КОЛИЧЕСТВО СМАЗКИ.



ОСМОТРИТЕ ЗАЩИТУ КОНЦА

Если защита конца установлена, то проверьте ее и убедитесь, что она не согнута и не сломана. Изогнутая защита конца может мешать свободному движению режущих лезвий. Если защита конца погнута или повреждена, замените ее в сертифицированном сервисном центре.

УСТАНОВИТЕ КРЫШКУ ЛЕЗВИЙ

Надевайте крышку на режущие лезвия, чтобы сохранить их чистыми, а также для того, чтобы они не зацепились за какой-нибудь предмет и не порезали людей или предметы.

ОСМОТРИТЕ РУКОЯТКИ

Убедитесь, что передняя и задняя рукоятки чистые, сухие и что они не имеют трещин или других повреждений. Если рукоятка сломается во время использования, то можно получить серьезную травму.

ОСМОТРИТЕ ОТСЕК АККУМУЛЯТОРНОЙ БАТАРЕИ

Убедитесь, что отсек батареи чистый и сухой, и что в нем нет мусора. Мусор в отсеке батареи может помешать наличию требуемого электрического контакта между аккумуляторной батареей и садовыми ножницами.

АККУМУЛЯТОРНАЯ БАТАРЕЯ

⚠ ПРЕДОСТЕРЕЖЕНИЕ. ВНУТРИ АККУМУЛЯТОРНОЙ БАТАРЕИ НЕТ ОБСЛУЖИВАЕМЫХ ПОЛЬЗОВАТЕЛЕМ ДЕТАЛЕЙ. НЕ РАЗБИРАЙТЕ ЕЕ.

Литий-ионные батареи имеют определенный срок службы. Если время работы на одной зарядке заметно уменьшается, то срок службы аккумуляторной батареи завершается, и ее необходимо заменить.

- Убедитесь, что аккумуляторная батарея, включая контакты, — чистая и сухая, и что она не имеет никаких признаков проколов, вмятин или других повреждений. Неисправная аккумуляторная батарея может стать причиной пожара или выделять опасные химические вещества.
- Произведите очистку грязных контактов, используя мягкую сухую ткань. Грязь или масло могут быть причиной плохого электрического контакта, что приводит к потере мощности.

ЗАРЯДНОЕ УСТРОЙСТВО

- Отключайте зарядное устройство от электрической розетки.
- Произведите очистку грязных контактов, используя мягкую сухую ткань.

ПОИСК И УСТРАНЕНИЕ НЕИСПРАВНОСТЕЙ

Используйте эту таблицу, чтобы обнаружить вероятные решения возможных проблем при работе садовых ножниц. Если эти предложения не решают проблему, то см. раздел «Информация об обслуживании и поддержке».

ПРОБЛЕМА	ВОЗМОЖНАЯ ПРИЧИНА	РЕКОМЕНДУЕМЫЕ ДЕЙСТВИЯ
Двигатель не работает или работает с перерывами	Аккумуляторная батарея разряжена	Зарядите. См. раздел «Зарядка аккумуляторной батареи».
	Выключатель питания на передней рукоятке не включен или предохранитель регулятора не выключен	Сожмите выключатель на передней ручке и потяните назад предохранитель регулятора перед нажатием на регулятор скорости. См. раздел «Пуск садовых ножниц».
	Аккумуляторная батарея вставлена не до конца	Вставьте аккумуляторную батарею в отсек для батареи до щелчка.
	Загрязнены контакты аккумуляторной батареи	Выньте аккумулятор, удалите мусор из отсека батареи, а затем протрите контакты чистой сухой тканью.
	Низкая температура аккумуляторной батареи	Нагрейте аккумуляторную батарею до минимальной рабочей температуры: 0 °C.
Двигатель работает, но режущие лезвия не двигаются	Имеется предмет, который не дает двигаться режущему лезвию	См. раздел «Очистка забившегося лезвия».
Садовые ножницы не режут изгородь должным образом	Скопилось смола, которая блокирует движение режущего лезвия	См. раздел «Обслуживание лезвия».
	Режущие лезвия затупились	Требуется обеспечить профессиональную заточку режущих лезвий.
Аккумуляторная батарея не заряжается	Сработала защита аккумулятора от высокой/низкой температуры	Это может произойти, если садовые ножницы работали непрерывно или подвергались воздействию высокой температуры окружающей среды. Необходимо охладить или нагреть аккумуляторную батарею до допустимого диапазона температур перед зарядкой. См. раздел «Зарядка аккумуляторной батареи».
	Загрязнились или повреждены контакты аккумуляторной батареи или зарядного устройства	Осмотрите контакты аккумуляторной батареи и зарядного устройства. Произведите очистку, как описано в разделе «Техническое обслуживание и очистка», а затем снова вставьте батарею в зарядное устройство и убедитесь, что она вставлена полностью.
	Заканчивается срок службы аккумуляторной батареи	Аккумуляторные батареи имеют ограниченный срок службы. Если срок службы аккумуляторной батареи превысил два года или если ее часто заряжали, то, возможно, пришло время заменить ее. Для замены используйте только аккумуляторную батарею, указанную для этих садовых ножниц.
	Неисправно зарядное устройство	Проверьте работу устройства в авторизованном сервисном центре.

ПРОБЛЕМА	ВОЗМОЖНАЯ ПРИЧИНА	РЕКОМЕНДУЕМЫЕ ДЕЙСТВИЯ
Малое время работы от одной зарядки аккумуляторной батареи	Режущие лезвия затупились	Требуется обеспечить профессиональную заточку режущих лезвий.
	Изношенные режущие лезвия	Замените режущие лезвия в сертифицированном сервисном центре.
	Режущие лезвия погнулись	Замените режущие лезвия в сертифицированном сервисном центре.
	Неправильная техника скашивания	Следуйте указаниям, приведенным в разделе «Основы обрезки».
	Используется более высокая скорость резания, чем необходимо	Нажимайте на регулятор скорости, используя меньшее усилие.
	Скопилась смола, которая блокирует движение режущего лезвия	См. раздел «Обслуживание лезвия».
	Аккумулятор заряжен не полностью	См. раздел «Зарядка аккумуляторной батареи».
Мигает оранжевый индикатор состояния заряда	<p>Короткое замыкание в зарядном устройстве, перегрузка по току в зарядном устройстве, предел перенапряжения, обрыв в аккумуляторной батарее или ошибка тайм-аута зарядки либо предварительной зарядки</p> <ol style="list-style-type: none"> 1. Удостоверьтесь, что кабель зарядного устройства подключен к зарядному устройству и электрической розетке. 2. Удостоверьтесь, что на зарядное устройство подается правильное напряжение. 3. Попробуйте зарядить другой аккумулятор, предназначенный для этого зарядного устройства. <p>Если это не решает проблему, проверьте работу устройства в сертифицированном сервисном центре.</p>	

ГАРАНТИЙНОЕ ОБСЛУЖИВАНИЕ

ГАРАНТИЯ

Компания Blount, Inc. гарантирует работу всех зарегистрированных аккумуляторных батарей и зарядных устройств OREGON® в течение двух (2) лет, считая с даты первоначального приобретения, и одного (1) года при использовании в коммерческих целях. Эта ограниченная гарантия распространяется на продукцию, выпущенную компанией OREGON® Cordless Tool System. В течение гарантийного срока компания Blount бесплатно заменит или по своему выбору произведет ремонт только для первоначального покупателя любого продукта или его части, которая после изучения Blount будет признана имеющей дефект материала и/или изготовления. Покупатель будет нести ответственность за все транспортные расходы и все расходы по демонтажу любой детали, представленной для замены по гарантии.

СОХРАНЯЙТЕ ОРИГИНАЛ ЧЕКА

Сохраните оригинал чека при первоначальной покупке в данном руководстве и файле. Для гарантийного обслуживания предоставьте продукт и чек тому дилеру, у которого был приобретен продукт. Либо свяжитесь с нами, используя контактную информацию, приведенную в разделе «Обслуживание покупателей в различных странах».

ИНФОРМАЦИЯ ПО ОБСЛУЖИВАНИЮ И ТЕХНИЧЕСКОЙ ПОДДЕРЖКЕ

Посетите наш сайт в Интернете по адресу OregonCordless.com, чтобы получить информацию о сервисных центрах, или обратитесь в наш отдел обслуживания клиентов для получения помощи, дополнительных технических консультаций, ремонта или замены деталей. Номера телефонов в конкретных странах приведены в разделе «Обслуживание покупателей в различных странах».

Для обеспечения безопасности используйте только оригинальные запасные части электрических инструментов. В нашем сервисном центре работает квалифицированный персонал, который эффективно оказывает поддержку и помощь при наладке, ремонте или замене всех продуктов OREGON® Cordless Tool System.

ДЕКЛАРАЦИЯ СООТВЕТСТВИЯ НОРМАМ ЕС

Компания **Blount International Inc.**, 4909 SE International Way, Portland Oregon,
97222 USA (США)

ЗАЯВЛЯЕТ, ЧТО СЛЕДУЮЩИЕ ПРОДУКТЫ:

Аккумуляторные садовые ножницы **HT255**

Зарядное устройство C600

СООТВЕТСТВУЮТ СЛЕДУЮЩИМ ЕВРОПЕЙСКИМ ДИРЕКТИВАМ И СТАНДАРТАМ:

ДИРЕКТИВЫ ЕС:

ДИРЕКТИВА ПО МАШИННОМУ
ОБОРУДОВАНИЮ 2006/42/ЕС

ПРЕДСТАВИТЕЛЬ КОРПОРАЦИИ:

КОНТАКТНОЕ ЛИЦО ПО
ТЕХНИЧЕСКОМУ ФАЙЛУ
СЕРТИФИКАЦИИ ДЛЯ ЕВРОПЫ:



Кевин Сайрус (Kevin Cyrus)
Менеджер по безопасности продуктов
и соответствию
Blount International Inc.
Portland OR 97222 USA (США)

Маринекс Куперс (Marnix Kuypers),
Blount International-Europe-S. A.
Rue Emile Francqui, 5
B 1435 Mont-Saint-Guibert
Belgium (Бельгия)


ДАТА/МЕСТО:

10 июля 2012 г., Портланд, штат Орегон

OBSAH

SYMBOLY A OZNAČENÍ	120
BEZPEČNOSTNÍ PRAVIDLA	121
OBCENÁ BEZPEČNOSTNÍ UPOZORNĚNÍ PRO ELEKTRICKÉ NÁŘADÍ	121
BEZPEČNOST PRACOVNÍHO PROSTORU	121
BEZPEČNOST ELEKTRICKÝCH ZAŘÍZENÍ	121
OSOBNÍ BEZPEČNOST	122
POUŽÍVÁNÍ A ÚDRŽBA ELEKTRICKÉHO NÁŘADÍ	123
POUŽÍVÁNÍ AKUMULÁTOROVÉHO NÁŘADÍ A PÉČE O NĚ	123
SERVIS	123
BEZPEČNOSTNÍ UPOZORNĚNÍ PRO PLOTOVÉ NŮŽKY	123
SKLADOVÁNÍ, PŘEPRAVA A LIKVIDACE	124
BEZPEČNOST NABÍJEČKY	126
POPIS VÝROBKU	127
SPECIFIKACE A SOUČÁSTI	128
NÁZVY A TERMINOLOGIE TÝKAJÍCÍ SE PLOTOVÝCH NŮŽEK	129
OBSLUHA NŮŽEK	130
VYBALENÍ VÝROBKU	130
AKUMULÁTOR A NABÍJEČKA	130
OBSLUHA – OBECNĚ	132
STŘÍHÁNÍ ŽIVÉHO PLOTU	134
ÚDRŽBA A ČIŠTĚNÍ	136
PLOTOVÉ NŮŽKY	136
AKUMULÁTOR	137
NABÍJEČKA	137
ŘEŠENÍ POTÍŽÍ	138
ZÁRUKA A SERVIS	140
ES – PROHLÁŠENÍ O SHODĚ	141
SLUŽBY ZÁKAZNÍKŮM V JEDNOTLIVÝCH STÁTECH	418

SYMBOLY A OZNAČENÍ

SYMBOL	NÁZEV	VYSVĚTLENÍ
	TŘÍDA II – STAVEBNICTVÍ	OZNAČUJE DVOJITĚ IZOLOVANÉ STAVEBNÍ NÁŘADÍ.
	SYMBOL NEBEZPEČÍ	UDÁVÁ, ŽE NÁSLEDUJÍCÍ TEXT POPISUJE NEBEZPEČÍ, VAROVÁNÍ NEBO VÝSTRAHY.
	PŘEČTĚTE SI NÁVOD	NÁVOD K POUŽITÍ OBSAHUJE DŮLEŽITÉ INFORMACE PRO BEZPEČNOST A OBSLUHU ZAŘÍZENÍ. POKYNY SI PEČLIVĚ PROČTĚTE A ŘIĎTE SE JIMI.
	POUŽÍVEJTE OCHRANNÉ BRÝLE	PŘI PRÁCI S NŮŽKAMI POUŽÍVEJTE OCHRANNÉ BRÝLE.
	POUŽÍVEJTE OCHRANNÉ RUKAVICE	PŘI PRÁCI S NŮŽKAMI A MANIPULACI S LIŠTOU POUŽÍVEJTE OCHRANNÉ RUKAVICE.
	HLUČNOST	HLADINA HLUKU JE 74 DB.
	DRŽENÍ OBĚMA RUKAMA	NŮŽKY DRŽTE OBĚMA RUKAMA.
	DRŽENÍ JEDNOU RUKOU	NŮŽKY NEDRŽTE JEDNOU RUKOU.
	NESPALUJTE	NEVHAZUJTE DO OHNĚ.
	NELIKVIDUJTE S KOMUNÁLNÍM ODPADEM	NEVYHAZUJTE SPOLEČNĚ S ODPADKY Z DOMÁCNOSTI. ODEVZDEJTE OPRÁVNĚNÉ RECYKLAČNÍ FIRMĚ.
	NEVYSTAVUJTE DEŠTI	NABÍJEČKU NEPOUŽÍVEJTE V MOKRÉM PROSTŘEDÍ.
	POUZE PRO POUŽITÍ VE VNITŘNÍCH PROSTORÁCH	VÝROBEK JE URČEN POUZE PRO POUŽITÍ VE VNITŘNÍCH PROSTORÁCH.
	KONTROLA PŘÍVODU PROUDU	PŘÍVOD A KABEL NABÍJEČKY PRAVIDELNĚ KONTROLUJTE, ZDA NEJSOU POŠKOZENÉ.
	PROVOZNÍ TEPLOTA	AKUMULÁTOR POUŽÍVEJTE VÝHRADNĚ PŘI TEPLOTĚ MEZI 0 °C A 40 °C.
	ŘEZNÝ NÁSTROJ	ŘEZNÝ NÁSTROJ. NESAHEJTE NA STŘIŽNOU LIŠTU, ANIŽ BYSTE NŮŽKY NEJPRVE ZABEZPEČILI VYJMUTÍM AKUMULÁTORU.

ÚVOD

Plotové nůžky jsou určeny k pravidelné údržbě a stříhání plotu. Nejsou určeny k řezání větví o průměru větším než 19 mm (3/4 palce). Jiné použití může vést k úrazu a není dovoleno.

BEZPEČNOSTNÍ PRAVIDLA

OBCENÁ BEZPEČNOSTNÍ UPOZORNĚNÍ PRO ELEKTRICKÉ NÁŘADÍ

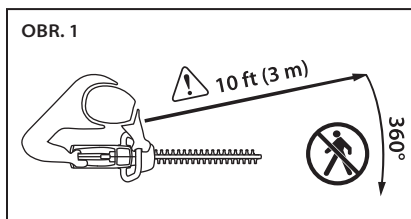
▲ POZOR: VEŠKERÁ BEZPEČNOSTNÍ UPOZORNĚNÍ A POKYNY SI PROČTĚTE A UJISTĚTE SE, ŽE JSTE JIM POROZUMĚLI. NEDODRŽENÍ UPOZORNĚNÍ A POKYNŮ MŮŽE VÉST K ÚRAZU ELEKTRICKÝM PROUDEM, POŽÁRU A/NEBO VÁŽNĚMU ÚRAZU.



VEŠKERÁ UPOZORNĚNÍ A POKYNY SI USCHOVEJTE PRO NAHLÉDNUTÍ V BUDOUCNU. „ELEKTRICKÝM NÁŘADÍM“ SE ROZUMÍ RUČNÍ ELEKTRICKÉ NÁŘADÍ (S PŘÍVODNÍM KABELEM) NEBO AKUMULÁTOROVÉ NÁŘADÍ (BEZ ŠŇŮRY).

BEZPEČNOST PRACOVNÍHO PROSTORU

- Pracovní prostor udržujte čistý a dobře osvětlený. Prostor s množstvím věcí nebo tmavé prostory mohou vést k úrazu.
- Elektrické nářadí nepoužívejte ve výbušné atmosféře, např. v přítomnosti hořlavých kapalin, plynů nebo prachu. Elektrické nářadí jiskří, a může tak prach nebo výpary zapálit.
- Při práci s elektrickým nářadím udržujte děti a přihlížející osoby v bezpečné vzdálenosti (Obr. 1). Vyrušení může vést k tomu, že nad nářadím ztratíte kontrolu.



▲ POZOR: NEŽ ZAČNETE SE ZAŘÍZENÍM PRACOVAT, ZAJISTĚTE SI KOLEM SEBE BEZPEČNOSTNÍ PROSTOR 3 M. Bezpečnostní prostor je kruh o poloměru 3 m kolem obsluhy zařízení, kde nesmí být jiné osoby, děti ani zvířata.

BEZPEČNOST ELEKTRICKÝCH ZAŘÍZENÍ

- Konektory elektrického nářadí musí odpovídat zásuvce. Nikdy konektor neupravujte. U uzemněného elektrického nářadí nepoužívejte adaptéry do zásuvky. Originální konektory a odpovídající zásuvky snižují riziko úrazu elektrickým proudem.
- Vyhnete se fyzickému kontaktu s uzemněnými plochami, jako je potrubí, radiátory, sporáky a ledničky. Je-li vaše tělo uzemněno, zvyšuje se tím riziko úrazu elektrickým proudem.
- Elektrické nářadí nevystavujte dešti ani mokrému prostředí. Vniknutí vody do elektrického nářadí zvyšuje riziko úrazu elektrickým proudem.
- Nevystavuje kabel mechanickému namáhání. Kabel nikdy nepoužívejte k přenášení či tažení nářadí ani je za něj nevytahujte ze zásuvky. Chraňte kabel před teplem, olejem, ostrými hranami a pohyblivými částmi nářadí. Poškozený nebo zamotaný kabel zvyšuje riziko úrazu elektrickým proudem.
- Při používání elektrického nářadí venku použijte prodlužovací kabel vhodný pro venkovní použití. Použití kabelu vhodného do venkovního prostředí snižuje riziko úrazu elektrickým proudem.

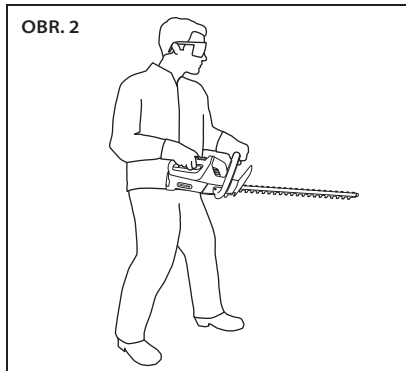
- Je-li použití elektrického nářadí ve vlhkém prostředí nevyhnutelné, použijte přívod chráněný diferenciální proudovou ochranou. Použití proudového chrániče snižuje riziko úrazu elektrickým proudem.
- V případě poškození nebo přeseknutí kabelu okamžitě odpojte konektor ze zásuvky.

OSOBNÍ BEZPEČNOST



- Při práci s elektrickým nářadím buďte pozorní, sledujte, co děláte a používejte zdravý rozum. Nepoužívejte elektrické nářadí, jste-li unaveni nebo pod vlivem drog, alkoholu nebo léků. Chvilka nepozornosti při práci s elektrickým nářadím může vést k vážnému úrazu.
- Používejte osobní ochranné pomůcky. **Vždy používejte ochranné brýle.** Riziko úrazu se snižuje používáním ochranných pomůcek dle konkrétních podmínek, jako je maska proti prachu, bezpečnostní protiskluzová obuv, helma nebo chrániče sluchu.
- Zabraňte neúmyslnému spuštění nářadí. Před připojením ke zdroji elektrického proudu nebo akumulátoru, zvednutím či přenášením nářadí se přesvědčte, že je vypínač ve vypnuté poloze. Přenášení elektrického nářadí s prstem na vypínači nebo zapojení nářadí se zapnutým vypínačem k přívodu proudu může vést k úrazu.
- Před zapnutím nářadí odstraňte klíče použité k seřízení. Klíč ponechaný na otáčivé části elektrického nářadí může vést k úrazu.

- Nenatahujte se příliš daleko. Vždy dbejte na to, abyste pevně stáli a měli dobrou rovnováhu (Obr. 2). Nářadí tak máte v nečekaných situacích lépe pod kontrolou.



- Používejte vhodný pracovní oděv. Nenoste volný oděv ani šperky. Vlasy, oděv a rukavice udržujte v bezpečné vzdálenosti od pohyblivých částí. Volný oděv, šperky nebo dlouhé vlasy se mohou zachytit do pohyblivých součástí.
- Jsou-li s nářadím dodána zařízení k připojení na odsávání a shromažďování prachu, ujistěte se, že jsou připojena a řádně používána. Používání odsávacích zařízení snižuje rizika spojená s prachem.
- Bylo zjištěno, že dlouhodobé používání elektrického nářadí vede k cévním, svalovým a neurologickým poruchám (jako je traumatická vazoneuróza nebo Raynaudův syndrom). Ke snížení rizika poškození zdraví se řiďte těmito pokyny:
 - Používejte rukavice a udržujte ruce i tělo v teple.
 - Nůžky držte pevně, nepoužívejte však příliš dlouhý či nadměrný tlak.
 - Často dělejte přestávky.

Vibrace se mohou při běžném používání lišit od udávaných hodnot v závislosti na řezaném materiálu, údržbě řezacího systému a dalších faktorech.

POUŽÍVÁNÍ A ÚDRŽBA ELEKTRICKÉHO NÁŘADÍ

- Elektrické nářadí nepřetěžujte. Používejte správný druh nářadí pro daný účel. Správný druh nářadí splní účel lépe a bezpečněji, rychleji, pro jakou je konstruován.
- Pokud nejde vypínač zapnout a vypnout, nářadí nepoužívejte. Jakékoli elektrické nářadí, které nelze ovládat vypínačem, je nebezpečné a je nutné jej opravit.
- Před prováděním úprav, výměnou příslušenství nebo uskladněním nářadí vytáhněte konektor ze zásuvky a/nebo vyjměte z nářadí akumulátor. Tato preventivní bezpečnostní opatření snižují riziko neúmyslného spuštění elektrického nářadí.



- Nepoužívané elektrické nářadí skladujte mimo dosah dětí a nedovolte, aby je používaly osoby nepoučené o daném druhu nářadí a neseznámené s těmito pokyny. Elektrické nářadí je v rukou neproškolených uživatelů nebezpečné.
- Údržba elektrického nářadí. Zkontrolujte, zda nejsou pohyblivé části mimo osu nebo zablokované, zda nejsou některé části poškozené či zda nemá nářadí jinou závadu, která by mohla ovlivnit jeho provoz. Je-li nářadí poškozeno, dejte je před použitím opravit. Řada úrazů je způsobena špatně udržovaným elektrickým nářadím.
- Řezné nástroje udržujte nabroušené a čisté. Řádně udržované řezné nástroje s nabroušeným ostřím se tak často nezaseknou a snáze se ovládají.
- Nářadí, příslušenství, součásti apod. používejte v souladu s tímto návodem, s ohledem na pracovní podmínky a na prováděnou práci. Použití elektrického nářadí k jiným účelům, než pro jaké je určeno, může vést k nebezpečným situacím.

POUŽÍVÁNÍ AKUMULÁTOROVÉHO NÁŘADÍ A PÉČE O NĚ

- Dobíjejte pouze nabíječkou určenou výrobcem. Nabíječka, která je vhodná pro jeden typ akumulátoru, může při použití s jiným akumulátorem představovat riziko požáru.
- Elektrické nářadí používejte pouze s akumulátory určenými pro konkrétní výrobek. Použití jiných akumulátorů může představovat riziko úrazu nebo požáru.
- V době, kdy akumulátor nepoužíváte, jej chraňte před kovovými předměty, jako jsou kancelářské sponky, mince, klíče, hřebíky, šroubky či jiné drobné kovové předměty, které by mohly vytvořit propojení mezi póly. Zkratování kontaktů baterie může způsobit jiskření, popáleniny nebo požár.
- Při špatném zacházení může z baterie vystříknout kapalina: nedotýkejte se jí. V případě náhodného zasažení opláchněte postižené místo vodou. V případě zasažení očí navíc vyhledejte lékařskou pomoc. Kapalina uniklá z baterie může způsobit podráždění nebo poleptání.

SERVIS

Servis elektrického nářadí svěřte do rukou kvalifikovaného opraváře, který používá identické náhradní díly. Zajistíte tak trvalou bezpečnost elektrického nářadí.

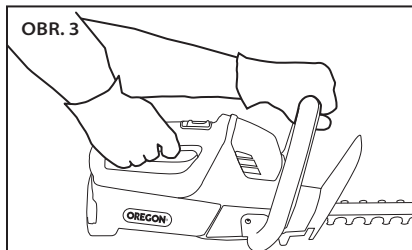
BEZPEČNOSTNÍ UPOZORNĚNÍ PRO PLOTOVÉ NŮŽKY



▲ NEBEZPEČÍ: RUCI UDRŽUJTE V BEZPEČNÉ VZDÁLENOSTI OD STRIŽNÉ LIŠTY. DOTEK STRIŽNÉ LIŠTY ZA PROVOZU ZPŮSOBÍ VÁŽNÉ PORANĚNÍ.

▲ POZOR: POUŽÍVEJTE POUZE TEHDY, JSOU-LI RUKOJEŤ A OCHRANNÝ ŠTÍT RUKY PEVNĚ NAMONTOVÁNY NA NŮŽKY. POUŽÍVÁNÍ NŮŽEK BEZ ŘÁDNÉHO OCHRANNÉHO ŠTÍTU A DODÁVANÉ RUKOJETI MŮŽE VÉST K ZÁVAŽNÉMU POŠKOZENÍ ZDRAVÍ.

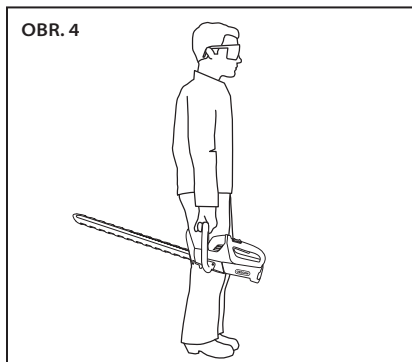
- Při použití držte nůžky oběma rukama. Při držení jednou rukou může dojít ke ztrátě kontroly, což může vést k vážnému úrazu (Obr. 3).



- Všechny části těla udržujte v bezpečné vzdálenosti od střížné lišty. Jsou-li nože v pohybu, neodnímejte ustríženou větvu ani je při stříhání nepřidržíte rukou. Při odstraňování materiálu zaseknutého v liště se ujistěte, že je vypínač ve vypnuté poloze. Po vypnutí se nože nezastaví okamžitě.

Chvilka nepozornosti při práci s plotovými nůžkami může vést k vážnému úrazu.

- Plotové nůžky přenášejte za rukojeť s nasazeným krytem lišty (Obr. 4). Při přepravě nebo skladování plotových nůžek na lištu vždy umístěte ochranný kryt. Správným zacházením s nůžkami snížíte riziko úrazu způsobeného střížnou lištou.



- Elektrické nářadí držte pouze za izolované rukojeti, protože nůžky mohou zasáhnout skrytý vodič nebo vlastní přívodní kabel. Zasáhne-li lišta vodič, který je pod proudem, mohou vnější kovové části nůžek proud vést a způsobit úraz elektrickým proudem.
- Plotové nůžky nemají žádné součásti, které by uživatel mohl sám opravit. Výměna lišty, servis a opravy vyžadují speciální kvalifikaci. Kontaktní údaje najdete v kapitole „Informace o servisu a podpoře“.

SKLADOVÁNÍ, PŘEPRAVA A LIKVIDACE

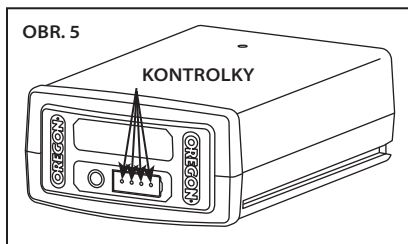
SKLADOVÁNÍ PLOTOVÝCH NŮŽEK

- Střížnou lištu namažte. Podrobnější údaje najdete v kapitole „Údržba a čištění“.
- Z nůžek vyjměte akumulátor.
- Plotové nůžky důkladně vyčistěte.
- Na lištu nasadte ochranný kryt.
- Skladujte na suchém místě.
- Uchovávejte mimo dosah dětí a domácích zvířat.

SKLADOVÁNÍ AKUMULÁTORU

Skladujete-li akumulátor po dobu delší než 9 měsíců, dodržujte tyto pokyny:

- Vyjměte akumulátor z nůžek nebo nabíječky.
- Skladujte na chladném a suchém místě.
- Uchovávejte mimo dosah dětí a domácích zvířat.
- Abyste prodloužili životnost baterií, nikdy je neskladujte zcela vybité (Obr. 5).



- Skladujte při teplotě mezi -20 °C a 30 °C.



SKLADOVÁNÍ NABÍJEČKY

- Z nabíječky vyjměte akumulátor.
- Nabíječku odpojte od přívodu proudu.
- Skladujte na suchém místě.
- Uchovávejte mimo dosah dětí a domácích zvířat.

Podrobnější údaje najdete v kapitole „Údržba a čištění“.

PŘEPRAVA PLOTOVÝCH NŮŽEK

Před přepravou připravte nůžky tak, jak je uvedeno v kapitole „Skladování plotových nůžek“.

PŘEPRAVA AKUMULÁTORU

Při přepravě lithium-iontových baterií dodržujte příslušné národní předpisy, někdy je vyžadováno povinné značení.

LIKVIDACE PLOTOVÝCH NŮŽEK A NABÍJEČKY

Výrobek OREGON® je konstruován a vyroben z vysoce kvalitních materiálů a součástí, které lze recyklovat a znovu použít. Po skončení životnosti výrobku je dle Směrnice 2002/95/ES nutno elektrická zařízení likvidovat odděleně od komunálního odpadu. V Evropské unii existují zvláštní sběrné systémy pro použitá elektrická a elektronická zařízení. Výrobek likvidujte ekologicky šetrným způsobem v místním sběrném/ recyklačním středisku.

LIKVIDACE AKUMULÁTORU

Akumulátor nevyhazujte do komunálního odpadu. Akumulátor nespalujte. Informace o správném způsobu likvidace nebo recyklace vám poskytnou místní organizace zabývající se likvidací nebo recyklací odpadu.



BEZPEČNOST BATERÍ

▲ NEBEZPEČÍ: NEDODRŽENÍ TĚCHTO BEZPEČNOSTNÍCH PRAVIDEL MŮŽE VÉST K ÚNIKU NEBEZPEČNÝCH CHEMIKÁLIÍ Z AKUMULÁTORU, JEHO PŘEHŘÁTÍ, VZNIKU KOUŘE, PRASKNUTÍ, VZPLANUTÍ, VÝBUCHU NEBO ZAPÁLENÍ.

▲ POZOR: AKUMULÁTOR NEZAHAZUJTE DO KOMUNÁLNÍHO ODPADU ANI DO OHNĚ. LITHIUM-IONTOVÉ AKUMULÁTORY MUSÍ RECYKLOVAT OPRAVNĚNÁ MÍSTNÍ ORGANIZACE.

▲ POZOR: AKUMULÁTOR NEVYSTAVUJTE NADMĚRNÉMU HORKU, JAKO NAPŘÍKLAD UVNITŘ VOZIDLA ZA HORKÉHO POČASÍ. MŮŽE DOJÍT KE ZTRÁTĚ VÝKONU A/NEBO ZKRÁCENÍ ŽIVOTNOSTI. NEPOKOUŠEJTE SE DOBÍT BATERIE, KTERÉ NEJSOU K DOBÍJENÍ URČENY.

- Akumulátor nerozebírejte ani do něj nezasahujte. Může to snížit jeho bezpečnost.
- Kladný (+) a záporný (-) pól nepropojte s kovovými předměty ani akumulátor neskladujte společně s kovovými předměty, jako jsou mince nebo šroubky. Může dojít ke zkratu a produkt se zahřeje tak, že může způsobit popáleniny.
- Akumulátor nespalujte ani nevystavujte nadměrnému teplu. Může dojít k roztavení izolace nebo jinému snížení bezpečnosti.

- Nepoužívejte, nenabíjejte ani neskladujte v blízkosti zdroje tepla nad 80 °C. Může dojít k přehřátí a vnitřnímu zkratu.
- Nevystavujte příliš mokrému prostředí. Může to poškodit zabezpečení, vést k nabití na extrémně vysoké napětí a intenzitu nebo k abnormálním chemickým reakcím.
- Používejte pouze nabíječku určenou pro daný akumulátor a dodržujte bezpečnostní opatření uvedená v kapitole „Bezpečnost nabíječky“. Použití jiné nabíječky může poškodit zabezpečení, vést k nabití na extrémně vysoké napětí a intenzitu nebo k abnormálním chemickým reakcím.
- Nepoužívejte akumulátory značky OREGON® v nářadí jiné značky než OREGON®.
- Akumulátor nevystavujte nárazům, neporážíte jej ani jím neházejte. Nepoužívejte akumulátor, je-li poškozen nebo deformován.
- Pokud se dobíjení nezdaří, nepokoušejte se o ně znovu. Je-li při použití, dobíjení či skladování akumulátoru cítit zápach, akumulátor se zahřívá, změní barvu, je deformovaný nebo jinak vybočuje z normálu, okamžitě jej vyjměte z nůžek nebo z nabíječky.
- Kapalina, která může z baterií unikat, je žíravina, může poškodit oči a kůže a při požití je toxická.

BEZPEČNOST NABÍJEČKY

DŮLEŽITÉ BEZPEČNOSTNÍ POKYNY

⚠ POZOR: ZAŘÍZENÍ NENÍ URČENO K TOMU, ABY JE POUŽÍVALY OSOBY SE SNÍŽENÝMI FYZICKÝMI, SMYSLOVÝMI NEBO DUŠEVNÍMI SCHOPNOSTMI (VČETNĚ DĚTÍ), ANEBU OSOBY NEPOUČENÉ; TYTO OSOBY JE MOHOU POUŽÍVAT POUZE POD DOHLEDEM NEBO DLE POKYNŮ OSOBY, KTERÁ JE ODPOVĚDNÁ ZA JEJICH BEZPEČNOST. JE NUTNO ZAJISTIT DOHLED NAD DĚTMI, ABY SI S NÁŘADÍM NEHRÁLY.

⚠ POZOR: NEBEZPEČÍ ÚRAZU ELEKTRICKÝM PROUDEM. PŘI POUŽITÍM VE VENKOVNÍM PROSTŘEDÍ ZAPOJTE POUZE DO VODOTĚSNÉ ZÁSUVKY CHRÁNĚNÉ PROUDOVÝM CHRÁNIČEM TŘÍDY A, S Pohonou JEDNOTKOU ZAPOJENOU DO ZÁSUVKY. POKUD JI NEMÁTE, OBRAŤTE SE PRO SPRÁVNOU INSTALACI NA KVALIFIKOVANÉHO ELEKTRIKÁŘE. UJISTĚTE SE, ŽE Pohonná JEDNOTKA A KABEL NEBRÁNÍ ÚPLNĚMU UZAVŘENÍ KRYTU ZÁSUVKY.

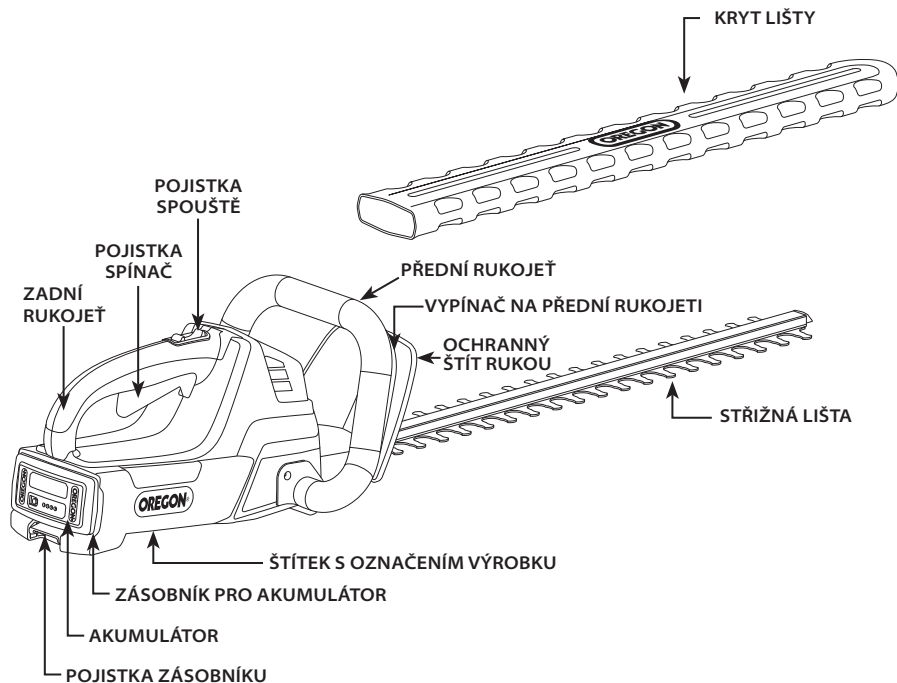
⚠ POZOR: NABÍJEČKU POUŽÍVEJTE POUZE S DODANÝM PŘÍVODNÍM KABLEM A UJISTĚTE SE, ŽE VSTUPNÍ KONEKTOR PŘESNĚ ZAPADÁ DO ELEKTRICKÉ ZÁSUVKY.

Při používání elektrických zařízení je vždy nutno dodržovat základní bezpečnostní opatření, zejména:

- Před použitím si přečtěte bezpečnostní pokyny a dodržujte je. Přečtěte si všechny pokyny přímo na výrobku nebo dodané s ním a dodržujte je.
- Tyto pokyny si uložte.
- Nepoužívejte prodlužovací kabel.
- Nevystavuje kabel mechanickému namáhání. Nikdy kabel nepoužívejte k přenášení či tažení nářadí, ani je za něj nevytahujte ze zásuvky. Chraňte kabel před teplem, olejem, ostrými hranami a pohyblivými částmi nářadí. Poškozený nebo zamotaný kabel zvyšuje riziko úrazu elektrickým proudem.
- Nabíječku nevystavujte dešti. Pouze pro použití ve vnitřních prostorech.
- Nepoužívejte ve vzdálenosti méně než 3 m od bazénu.
- Nepoužívejte v koupelně.

POPIS VÝROBKU

SEZNAMTE SE S NŮŽKAMI



POZNÁMKA: Seznam položek v balení viz „Vybalení výrobku“.

SPECIFIKACE A SOUČÁSTI

NÁHRADNÍ DÍLY	ČÍSLO DÍLU
AKUMULÁTOR, MODEL B400E	548206
NABÍJEČKA S KABELEM, MODEL C600	EU - 554933 UK - 554872 AU/NZ - 560663
NABÍJEČKA S KABELEM, MODEL C750	EU - 558697 UK - 558698 AU/NZ - 558699
NABÍJEČKA MODEL C600	
PŘÍKON	100-240 V~ 50-60 HZ 260 W
VÝSTUPNÍ NAPĚTÍ	41,5 V _{max} 1,25 A
PŘÍVODNÍ KABEL	EU - 547383 UK - 547384 AU/NZ - 559380
AKUMULÁTOR, MODEL B400E	
HMOTNOST	1,23 kg
TYP	LITHIUM-IONTOVÝ
NAPĚTÍ, JMENOVITÉ	+37 V (STEJNOSMĚRNÝ PROUD)
PROVOZNÍ TEPLOTA	0 °C - 40 °C
KAPACITA, JMENOVITÁ	2,40 Ah / 89 Wh
DOBA NABÍJENÍ (CCA)	120 MINUT
PLOTOVÉ NŮŽKY	
DÉLKA LIŠTY	600 mm
TYP STŘIŽNÉ LIŠTY	SE DVĚMA ŘADAMI PROTIBĚŽNÝCH NOŽŮ
MAXIMÁLNÍ RYCHLOST ŘEZU	2750 ŘEZŮ/MIN
MAXIMÁLNÍ PRŮMĚR VĚTVÍ	AŽ 19 mm
HMOTNOST S B400E	4,4 kg
HLUČNOST	74 dB L _{WA} (K, 0,18 dB)
VIBRACE	1,16 m/s ² (K, 0,26 m/s ²)

NÁZVY A TERMINOLOGIE TÝKAJÍCÍ SE PLOTOVÝCH NŮŽEK

Zaseknutí nožů: Stav, kdy se nože nemohou pohybovat v důsledku materiálu zaseknutého mezi pohyblivými a pevnými částmi lišty.

Bezpečnostní prostor: Bezpečnostní prostor je kruh o poloměru 3 m kolem obsluhy zařízení, kde nesmí být jiné osoby, děti ani zvířata.

Střížná lišta: Řada ostrých ploch vystupujících z přední části plotových nůžek a pohybujících se sem a tam s cílem stříhat plot.

Období stříhání: Ideální doba pro stříhání živého plotu se liší podle druhu dřeviny, obvykle je však vhodné stříhat v období pomalého růstu, po odkvětu. Rady pro stříhání konkrétních rostlin Vám poskytne místní zahradnictví.

Rychlost řezu: Plotové nůžky mají variabilní rychlost řezu. Vyšší rychlosti řezu dosáhnete silnějším stiskem spouště. K dosažení co nejdélejší doby řezání na jedno nabití použijte minimální rychlost řezu nezbytnou k řezání daného materiálu.

Přední rukojeť: Rukojeť umístěná v přední části plotových nůžek.

Vypínač na přední rukojeti: Vypínač ve tvaru „U“ umístěný podél přední rukojeti, fungující jako obouruční spouštěcí spínač bránící náhodnému spuštění nůžek.

Ochranný štít ruky: Štít mezi přední rukojetí nůžek a střížnou lištou.

Nové výhonky: Části rostliny, které narostly v poslední době. Obvykle jsou světlejší, méně dřevnaté a ohebnější než ostatní části dřeviny.

Zadní rukojeť: Rukojeť umístěná v zadní části plotových nůžek, kde se nachází spoušť.

Spoušť: Zařízení, které řídí rychlost zubů lišty.

Pojistka spouště: Pohyblivá zarážka, která brání neúmyslnému spuštění nůžek, pokud není ručně vysunuta.

OBSLUHA NŮŽEK

VYBALENÍ VÝROBKU

CO JE V KRABICI?

Plotové nůžky se dodávají plně smontované. V balení jsou obsaženy tyto položky:

- Plotové nůžky
- Kryt lišty
- Návod k použití
- Nabíječka a přívodní kabel (pokud je tato výbava součástí výrobku)
- Akumulátor (pokud je tato výbava součástí výrobku)

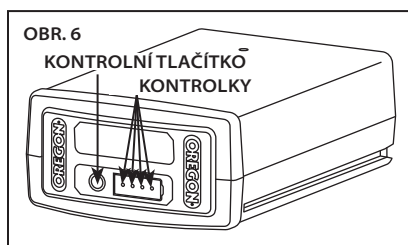
Po vyjmutí nůžek z krabice je důkladně zkontrolujte, zda nedošlo při přepravě k poškození a zda žádné díly nechybí. V případě poškozených nebo chybějících dílů nůžky nepoužívejte. S požadavkem na náhradní díly se obraťte na společnost OREGON® Cordless Tool System. Telefonní čísla pro jednotlivé státy najdete v kapitole „Služby zákazníkům v jednotlivých státech“.

AKUMULÁTOR A NABÍJEČKA

▲ POZOR: AKUMULÁTOR NENABÍJEJTE V DEŠTI.

KONTROLKY STAVU NABITÍ AKUMULÁTORU

Lithium-iontový akumulátor je vybaven kontrolkami ukazujícími stav nabití. Chcete-li zjistit stav nabití akumulátoru, stiskněte kontrolní tlačítko na přední straně akumulátoru (Obr. 6).



Nesvídí: Dobijte.

Jedno stále svítící zelené světlo:
Nabito na méně než 25 %.
Před použitím akumulátor dobijte.

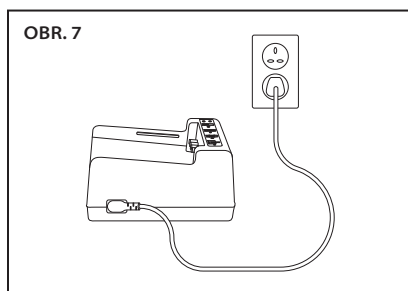
Dvě stále svítící zelená světla:
Nabito na 26-50 %.

Tři stále svítící zelená světla:
Nabito na 51-75 %.

Čtyři stále svítící zelená světla:
Nabito na 76-100 %.

PŘIPOJENÍ NABÍJEČKY

Přívodní kabel připojte k nabíječce a do odpovídající elektrické zásuvky (Obr. 7).



Používejte pouze kabel dodaný s nabíječkou. Při prvním použití se přesvědčte, že typ konektoru odpovídá zásuvce.

KONTROLKY STAVU NABÍJENÍ NA NABÍJEČCE

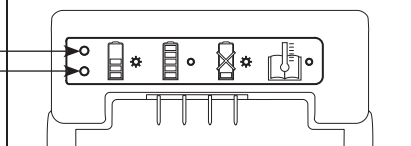
Nabíječka baterií je vybavena ukazatelem stavu nabití v podobě LED kontrolky, které vás informují o stavu nabíjení a o situacích, které mohou nabíjení zpomalit nebo znemožnit (Obr. 8).

Poznámka: Dokud v nabíječce není akumulátor, nebude svítit žádné světlo.

Blikající oranžové světlo: Závada. Existuje několik možných příčin. Viz kapitola „Řešení potíží“ v tomto návodu.

Souvislé oranžové světlo: Teplota akumulátoru je mimo přijatelné rozmezí (0–40 °C). Před nabíjením nechte akumulátor vytemperovat na přijatelnou teplotu. Během temperování může akumulátor zůstat v nabíječce. Po dosažení příslušné teploty se akumulátor začne nabíjet.

OBR. 8



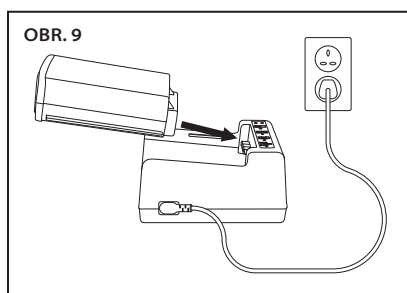
Blikající zelené světlo: Akumulátor se nabíjí.

Nepřerušované zelené světlo: Akumulátor je PŘIPRAVEN K POUŽITÍ.

NABÍJENÍ AKUMULÁTORU

⚠ POZOR: PŘI NEDODRŽENÍ STANOVENÉHO POSTUPU NABÍJENÍ MŮŽE DOJÍT K PŘEPĚTÍ, NADMĚRNÉ INTENZITĚ PROUDU, ZTRÁTĚ KONTROLY BĚHEM NABÍJENÍ, ÚNIKU NEBEZPEČNÝCH CHEMIKÁLIÍ, ZAHŘÍVÁNÍ, PRASKNUTÍ AKUMULÁTORU NEBO POŽÁRU.

S nabíječkou zapojenou do zásuvky nastavte zářezy v akumulátoru proti vodicím lištám nabíječky a akumulátor zasuňte do nabíječky tak, aby dobře zapadl (Obr. 9).

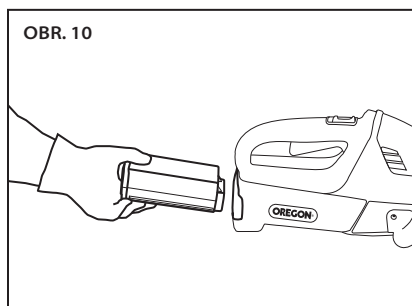


Zkontrolujte podmínky nabíjení dle kontrolky.

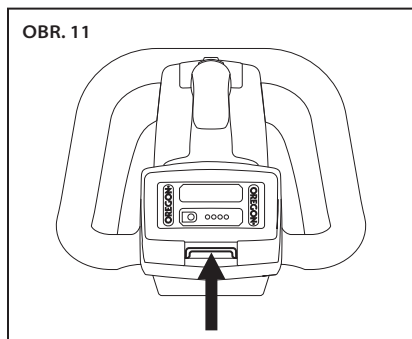
**VLOŽENÍ A VYJMUTÍ
AKUMULÁTORU**

Používejte pouze akumulátory značky OREGON® uvedené v tomto návodu.

Zárez na akumulátoru nastavte proti vodící liště uvnitř prostoru pro akumulátor. Akumulátor pevně zatlačte do zásobníku pro něj určeného směrem dopředu, až s cvaknutím zapadne na místo (Obr. 10).



K vyjmutí akumulátoru zvedněte uvolňovací páčku a vyjměte jej (Obr. 11).

**OBSLUHA – OBECNĚ**

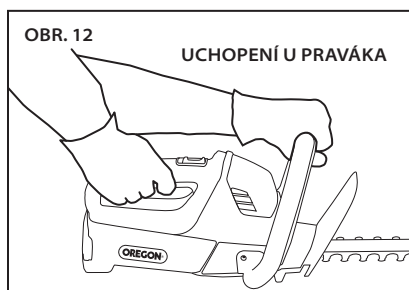
⚠ POZOR: VŽDY POUŽÍVEJTE VHDNÉ RUKAVICE A OCHRANNÉ BRÝLE.

PROVOZNÍ TEPLOTA

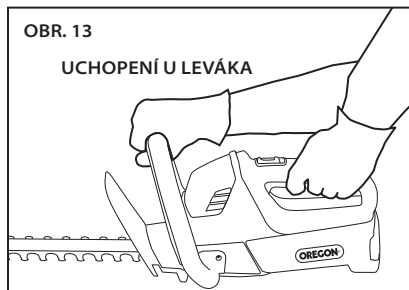
Plotové nůžky jsou konstruovány pro provoz v rozsahu teplot 0-40 °C.

UCHOPENÍ NŮŽEK

Nářadí vždy držte oběma rukama. Jste-li pravák, položte nůžky na pevnou a rovnou plochu, přední rukojeť uchopte levou rukou a zadní rukojeť pravou rukou. Přední rukojeť uchopte prsty shora a palcem zdola (Obr. 12).



Jste-li levák, uchopte přední rukojeť pravou rukou a zadní rukojeť levou rukou (obr. 13).



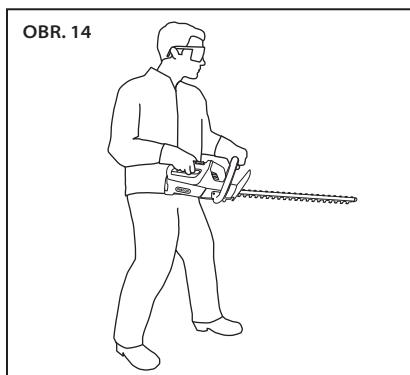
POSTOJ PŘI PRÁCI

Stůjte oběma nohama na pevné zemi, s váhou rozloženou stejnoměrně na obě nohy.

Nenatahujte se příliš daleko, nestůjte na žebříku, štafích nebo v jiné vyvýšené poloze bez plného zajištění.



Nůžky držte co nejbližší k tělu, abyste si nad nimi udrželi kontrolu (Obr. 14).

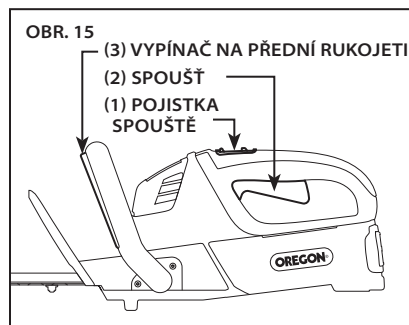


VYPNUTÍ PLOTOVÝCH NŮŽEK

Chod nůžek zastavíte tak, že pustíte spoušť.

SPUŠTĚNÍ PLOTOVÝCH NŮŽEK

Pevně uchopte přední i zadní rukojeť. Palcem posuňte pojistku spouště (1) dozadu (Obr. 15). Stiskněte spoušť (2) natolik, aby se nože lišty rozběhly požadovanou rychlostí. Vypínač na přední rukojeti (3) je bezpečnostní zařízení: Není-li stisknut, nůžky se nerozběhnou.



OVLÁDÁNÍ RYCHLOSTI ŘEZU

Rychlost pohybu nožů se řídí stiskem spouště. Vyšší rychlosti řezu dosáhnete silnějším stiskem spouště.

Použijte nejnižší tlak potřebný k uříznutí daného materiálu. Zvýšíte tak dobu stříhání na jedno nabití akumulátoru a snížíte počet potřebných nabíjení.

STŘÍHÁNÍ ŽIVÉHO PLOTU

KDY STŘÍHAT

Ideální doba pro stříhání živého plotu se liší podle druhu dřeviny, obvykle je však vhodné stříhat v období pomalého růstu, po odkvětu. Rady pro stříhání konkrétních rostlin vám poskytne místní zahradnictví.

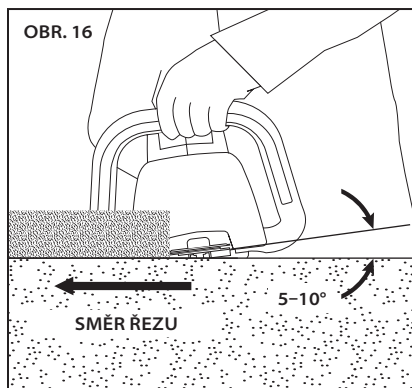
Dodržujte všechna národní a obecní pravidla a předpisy týkající se stříhání živých plotů.

ZÁKLADY STŘÍHÁNÍ

▲ POZOR: VŽDY STUJTE PEVNĚ A PŘI BĚŽÍCÍM MOTORU DRŽTE NŮŽKY PEVNĚ OBEĀMA RUKAMA.

Před začátkem stříhání zkontrolujte, zda v plotu nejsou cizí tělesa, abyste nepoškodili lištu. Odstraňte všechny předměty, které by mohly při stříhání překážet.

Nůžky uchopte, zaujměte výše uvedený postoj a nůžky spusťte. Nůžky držte tak, aby lišta zaujímala úhel 5-10° ke směru stříhání (Obr. 16).



DŮLEŽITÉ: NŮŽE SE NĚKDY ZASEKNOU A ZASTAVÍ SE, KDYŽ SE MEZI NĚ ZACHYTÍ NĚJAKÝ MATERIÁL NEBO SE ZACHYTÍ NAPŘ. V DRÁTĚNÉM PLOTĚ. POSTUP NÁPRAVY TĚTO SITUACE NAJDETE V KAPITOLE „ŘEŠENÍ ZASEKNUTÉ LIŠTY“.

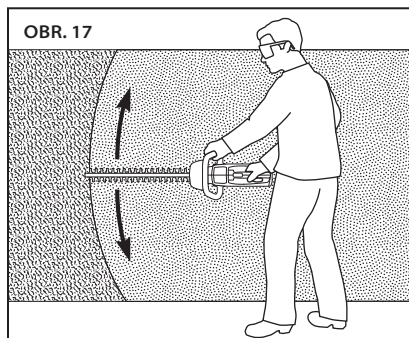
POSTUP STŘÍHÁNÍ

Je-li plot dobře udržovaný, zaměřte se na stříhání nových výhonků, až získá plot požadovaný tvar.

Po odstranění případných velkých větví použijte nůžky k ostříhání stran plotu na požadovanou délku. Po dokončení stran ostříhejte plot shora.

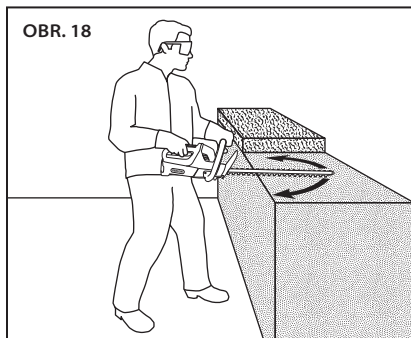
SVISLÉ STŘÍHÁNÍ

Při stříhání stran plotu začněte odzdoła. Nůžky držte tak, aby lišta zaujímala úhel 5-10° ke směru stříhání. Postupujte podél plotu a nůžkami pomalu pohybujte nahoru a dolů ve velkém oblouku (Obr. 17).



VODOROVNÉ STŘÍHÁNÍ

Při stříhání plotu shora začněte na nejbližším kraji. Nůžky držte tak, aby lišta zaujímala úhel 5-10° ke směru stříhání. Postupujte podél plotu a nůžkami pomalu pohybujte doprava a doleva ve velkém oblouku (Obr. 18).



Je-li horní plocha plotu příliš široká, a nelze ji proto jedním tahem nůžek sestříhat, nenaklánějte se přes plot ve snaze dosáhnout na zbytek. Místo toho ostříhejte nejprve celý plot z jedné strany a poté přejděte na druhou stranu plotu, kde ostříháte zbytek.

ŘEŠENÍ ZASEKNUTÉ LIŠTY

▲ POZOR: PŘED ČIŠTĚNÍM LIŠTY VŽDY VYJMĚTE AKUMULÁTOR, ABY NEDOŠLO K NÁHODNÉMU SPUŠTĚNÍ LIŠTY.

▲ POZOR: NOŽE LIŠTY JSOU OSTRÉ. PŘI ODSTRAŇOVÁNÍ MATERIÁLU Z LIŠTY VŽDY POUŽÍVEJTE RUKAVICE.

Při stříhání pružných „zelených“ větví se mezi pohyblivé nože lišty a její pevnou část mohou zachytit kousky větví. Pokud k tomu dojde, může se lišta náhle zastavit. Může se to stát i v případě, že lišta narazí na materiál, který je příliš silný na to, aby jej přeřízla, např. na drátěný plot. Tento stav označujeme jako zaseknutí lišty.

K bezpečnému a účinnému odstranění zaseknutého materiálu se řiďte těmito pokyny.

- Použijte rukavice.
- Z nůžek vyjměte akumulátor. Viz „Vyjmutí akumulátoru“.
- Odstraňte materiál, který brání nožům v pohybu.

ÚDRŽBA A ČIŠTĚNÍ

PLOTOVÉ NŮŽKY

▲ POZOR: NŮŽKY KONTROLUJTE. PRAVIDELNÁ KONTROLA JE PRVNÍM KROKEM K ŘÁDNÉ ÚDRŽBĚ. PRO MAXIMÁLNÍ BEZPEČNOST A SPOKOJENOST SE ŘIĎTE NÍŽE UVEDENÝMI POKYNY. POŠKOZENÉ NEBO NADMĚRNĚ OPOTŘEBENÉ DÍLY DEJTE NEPRODLENĚ VYMĚNIT. JESTLIŽE POŠKOZENÉ NEBO OPOTŘEBENÉ DÍLY NEZJISTÍTE A NEVYMĚNÍTE, MŮŽE DOJÍT K VÁŽNÉMU ÚRAZU.

▲ POZOR: PŘED KONTROLOU, ČIŠTĚNÍM NEBO ÚDRŽBOU VYJMĚTE Z NŮŽEK AKUMULÁTOR. AKUMULÁTOROVÉ NÁŘADÍ S VLOŽENÝM AKUMULÁTOREM JE VŽDY ZAPNUTÉ A MŮŽE SE NÁHODNĚ SPUSTIT.

▲ POZOR: PŘI ČIŠTĚNÍ NŮŽKY NEPONOŘUJTE DO VODY ANI DO JINÝCH KAPALIN.

ČIŠTĚNÍ PLOTOVÝCH NŮŽEK

- Z nůžek otřete prach, listí a zbytky větvi.
- Vyčistěte průduchy, abyste zajistili řádný oběh vzduchu a předešli přehřívání.
- Lištu otřete čistým hadrem navlhčeným ve vodě s neagresivním mýdlem.
- Nikdy nepoužívejte agresivní čisticí prostředky nebo rozpouštědla.

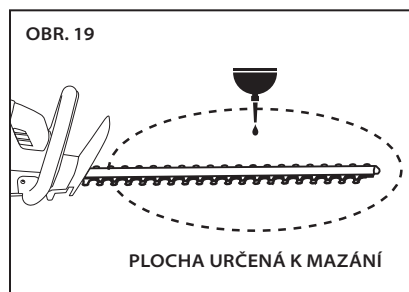
ZKONTROLUJTE STŘIŽNOU LIŠTU

Přesvědčte se, že jsou nože na liště ostré, nejsou poškozené ani tupé a při chodu nůžek se nezachytávají o sebe. Poškození a otřepy na nožích pravidelně obrušujte, abyste zajistili volný pohyb nožů. Ostré a volně se pohybující nože stříhají snáze než tupé nebo zachytávající.

PÉČE O LIŠTU

Při stříhání plotů s hustou mízou nebo v prašném prostředí může hromadění mízy a prachu vést k zalepení nožů. Aby k tomu nedocházelo, očistěte nože slabou vrstvou silikonového maziva pouze na mazací části lišty (Obr. 19) a krátce nůžky spusťte, aby se mazivo stejnoměrně rozložilo po liště.

DŮLEŽITÉ: NEDOVOLTE, ABY MAZIVO KAPALO DOVNITŘ TĚLESA NŮŽEK. NIKDY NEPOUŽÍVEJTE ROZPOUŠTĚDLA TUKŮ NEBO SPREJE VYTLAČUJÍCÍ VODU. NEMAŽTE NADMĚRNĚ.



ZKONTROLUJE OCHRANU NOŽŮ

Je-li instalován chránič nožů na konci lišty, zkontrolujte, zda není ohnutý ani poškozený. Ohnutý chránič nožů může bránit jejich volnému pohybu. Je-li chránič nožů ohnutý nebo poškozený, dejte jej v autorizovaném servisu vyměnit.

NA LIŠTU NASAĎTE OCHRANNÝ KRYT

Nasuňte ochranný kryt na lištu, abyste ji uchovali čistou a lišta se nezachytávala a nepořezala osoby ani věci.

ZKONTROLUJTE RUKOJETI

Ujistěte se, že je přední i zadní rukojeť čistá, suchá a bez prasklin či jiného poškození. Pokud poškozená rukojeť při práci praskne, může to vést k vážnému úrazu.

ZKONTROLUJTE ZÁSOBNÍK PRO AKUMULÁTOR

Ujistěte se, že je zásobník pro akumulátor čistý, suchý a bez nečistot. Nečistoty v zásobníku pro akumulátor mohou bránit řádnému elektrickému propojení mezi akumulátorem a nůžkami.

AKUMULÁTOR

▲ POZOR: V AKUMULÁTORU NEJSOU ŽÁDNÉ ČÁSTI, KTERÉ BY UŽIVATEL MOHL OPRAVIT. NEROZEBÍREJTE.

Lithium-iontové baterie mají předem stanovenou provozní životnost. Pokud doba stříhání na jedno nabití významně klesá, je akumulátor na konci provozní životnosti a je nutno jej vyměnit.

- Přesvědčte se, že je akumulátor včetně kontaktů čistý, suchý a nejeví známky proražení, poškození nárazem či jiného poškození. Poškozené baterie mohou vyvolat požár nebo z nich mohou unikat nebezpečné chemikálie.
- Znečištěné kontakty očistěte měkkým suchým hadrem. Nečistota nebo olej může vést ke špatnému elektrickému propojení s následnou ztrátou výkonu.

NABÍJEČKA

- Nabíječku odpojte od elektrické zásuvky.
- Znečištěné kontakty očistěte měkkým suchým hadrem.

ŘEŠENÍ POTÍŽÍ

V této tabulce vyhledejte možná řešení případných problémů s plotovými nůžkami. Pokud takto problém nevyřešíte, viz „Informace o servisu a podpoře“.

PŘÍZNAK	MOŽNÁ PŘÍČINA	DOPORUČENÁ OPATŘENÍ
Motor neběží nebo běží přerušovaně	Vybitá baterie	Dobijte. Viz „Nabíjení akumulátoru“.
	Není stisknut vypínač na přední rukojeti nebo uvolněna pojistka spouště	Stiskněte vypínač na přední rukojeti a před stiskem spouště posuňte její pojistku směrem dozadu. Viz „Spuštění plotových nůžek“.
	Akumulátor není zcela zasunut	Zatlačte akumulátor do zásobníku, až s cvaknutím zaskočí.
	Kontakty akumulátoru jsou znečištěné	Vyjměte akumulátor, odstraňte ze zásobníku pro akumulátor nečistoty a poté očistěte kontakty měkkým suchým hadrem.
	Akumulátor je studený	Nechte akumulátor vytemperovat na minimální provozní teplotu 0 °C.
Motor běží, ale lišta se nehýbe	Překážka bránící pohybu lišty	Viz „Řešení zaseknuté lišty“.
Nůžky řádně nestříhají	Nahromaděná pryskyřice bránící pohybu lišty	Viz „Péče o lištu“.
	Nože jsou tupé	Dejte nože odborně nabrousit.
Akumulátor se nenabíjí	Je aktivována ochrana nadměrné/příliš nízké teploty akumulátoru	Může k tomu dojít při soustavném provozu nůžek nebo jejich vystavení vysokým teplotám prostředí. Před nabíjením nechte akumulátor vytemperovat na přijatelnou teplotu. Viz „Nabíjení akumulátoru“.
	Znečištěné nebo poškozené kontakty na akumulátoru nebo nabíječky	Zkontrolujte kontakty na akumulátoru i na nabíječce. Očistěte, jak je uvedeno v kapitole „Údržba a čištění“, poté znovu zasuňte akumulátor do nabíječky a ujistěte se, že zcela zapadl.
	Akumulátor je na konci životnosti	Všechny baterie mají omezenou životnost. Je-li akumulátor starší než dva roky nebo byl často dobíjen, může být načasе jej vyměnit. Vyměňte pouze za akumulátor určený pro tyto nůžky.
	Vadná nabíječka	Dejte její funkčnost zkontrolovat v autorizovaném servisu.

PŘÍZNAK	MOŽNÁ PŘÍČINA	DOPORUČENÁ OPATŘENÍ
Krátká doba stříhání na jedno nabití	Nože jsou tupé	Dejte nože odborně nabrousit.
	Nože jsou opotřebované	Dejte lištu vyměnit v autorizovaném servisu.
	Nože jsou ohnuté	Dejte lištu vyměnit v autorizovaném servisu.
	Nevhodná technika stříhání	Dodržujte pokyny v kapitole „Základy stříhání“.
	Vyšší rychlost řezu, než je třeba	Tiskněte spoušť menší silou.
	Nahromaděná pryskyřice brání pohybu lišty	Viz „Péče o lištu“.
	Akumulátor není zcela nabitý	Viz „Nabíjení akumulátoru“.
Kontrolka stavu nabití bliká oranžově	Zkrat nabíječky, přílišná intenzita proudu nebo přepětí, otevřený obvod v akumulátoru nebo chyba daná časovou prodlevou nabíjení/ před nabíjením	<ol style="list-style-type: none"> 1. Ujistěte se, že je kabel nabíječky připojen jak k nabíječce, tak i do elektrické zásuvky. 2. Přesvědčte se, že je napětí v síti, na kterou je nabíječka připojena, správné. 3. Pokuste se nabít jiný akumulátor určený pro tuto nabíječku. Pokud to problém neodstraní, dejte funkčnost zkontrolovat v autorizovaném servisu.

ZÁRUKA A SERVIS

ZÁRUKA

Společnost Blount, Inc. poskytuje na veškeré bateriové nářadí, akumulátory a nabíječky značky OREGON® záruku v délce dvou (2) let od data původního nákupu a jednoho (1) roku v případě komerčního užití. Tato omezená záruka se vztahuje na výrobky společnosti OREGON® Cordless Tool System. V záruční době společnost Blount výhradně původnímu kupujícímu dle vlastního rozhodnutí zdarma vymění nebo opraví výrobek nebo díl, který na základě vlastního zkoumání uzná jako vykazující materiálovou nebo výrobní vadu. Kupující nese veškeré přepravní náklady a náklady na demontáž dílu předloženého na základě této záruky k výměně.

USCHOVEJTE SI DOKLAD O NÁKUPU

Doklad o nákupu výrobku připeňte k tomuto návodu. Potřebujete-li záruční servis, přineste výrobek spolu s dokladem o nákupu k prodejci, kde jste jej koupili. Nebo nás kontaktujte dle informací uvedených v kapitole „Služby zákazníkům v jednotlivých státech“.

INFORMACE O SERVISU A PODPOŘE

Navštivte nás na internetu na **OregonCordless.com**, kde najdete informace o servisních střediscích, anebo se spojte s naším oddělením služeb zákazníkům, které vám poskytne pomoc, další technické rady, opravu nebo náhradní díly. Telefonní čísla pro jednotlivé státy najdete v kapitole „Služby zákazníkům v jednotlivých státech“.

Pro vlastní bezpečnost používejte na elektrickém nářadí pouze originální náhradní díly. V našem servisním středisku pracují zaměstnanci vyškolení k tomu, aby vám efektivně poskytli podporu a pomoc při seřízení, opravě nebo výměně všech výrobků značky OREGON® Cordless Tool System.

ES – PROHLÁŠENÍ O SHODĚ

Společnost Blount International Inc. 4909 SE International Way, Portland Oregon, 97222 USA

PROHLAŠUJE, ŽE TENTO VÝROBEK NEBO VÝROBKY:

Akumulátorové plotové nůžky Model: **HT255**

Nabíječka baterií C600

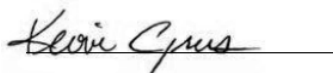
VYHOVUJÍ NÁSLEDUJÍCÍM EVROPSKÝM SMĚRNICÍM A NORMÁM:

SMĚRNICE ES:

SMĚRNICE Č. 2006/42 ES O STROJNÍCH ZAŘÍZENÍCH

STATUTÁRNÍ ZÁSTUPCE SPOLEČNOSTI:

**KONTAKTNÍ OSOBA PRO TECHNICKÉ
OTÁZKY V EVROPĚ:**



Kevin Cyrus
Ředitel pro bezpečnost výrobků a
dodržování předpisů
Blount International Inc.
Portland OR 97222 USA

Marnix Kuypers
Blount International-Europe-S. A.
Rue Emile Francqui, 5
B 1435 Mont-Saint-Guibert
Belgie



DATUM/MÍSTO:

10. července 2012, Portland OR

INDHOLDSFORTEGNELSE

SYMBOLER OG MÆRKATER.	143
SIKKERHEDSREGLER	144
GENERELLE SIKKERHEDSADVARSLER FOR ELVÆRKTØJ	144
SIKKERHED I ARBEJDSOMRÅDET.	144
ELEKTRISK SIKKERHED	144
PERSONLIG SIKKERHED	145
BRUG OG PLEJE AF BATTERIVÆRKTØJ	146
SERVICE	146
SIKKERHEDSADVARSLER FOR HÆKKEKLIPPEREN	146
OPBEVARING, TRANSPORT OG BORTSKAFFELSE	147
OPLADERSIKKERHED	149
PRODUKTIDENTIFIKATION	150
SPECIFIKATIONER OG KOMPONENTER	151
HÆKKEKLIPPER, NAVNE OG BETEGNELSER.	152
BETJENING AF HÆKKEKLIPPEREN	153
UDPAKNING	153
BATTERIPAKKE OG OPLADER	153
GENEREL BETJENING	155
HÆKKEKLIPNING.	157
VEDLIGEHOLDELSE OG RENGØRING.	159
HÆKKEKLIPPER.	159
BATTERIPAKKE	160
OPLADER	160
FEJLFINDING	161
GARANTI OG SERVICE	163
EC - KONFORMITETSERKLÆRING.	164
KUNDESERVICE EFTER LAND	418

SYMBOLER OG MÆRKATER

SYMBOL	NAVN	FORKLARING
	KLASSE II KONSTRUKTION	GODKENDT DOBBELTISOLERET KONSTRUKTIONSVÆRKTØJ
	SIKKERHEDSADVARSELSSYMBOL	INDIKERER, AT DEN TEKST, DER FØLGER, FORKLARER EN FARE, ADVARSEL ELLER FORSIGTIGHED.
	LÆS ANVISNINGERNE	DEN ORIGINALE BRUGSANVISNING INDEHOLDER VIGTIGE SIKKERHEDS- OG BETJENINGSOPLYSNINGER. LÆS OG FØLG ANVISNINGERNE NØJE.
	ANVEND ØJENBESKYTTELSE.	ANVEND ØJENBESKYTTELSE, NÅR DU BRUGER HÆKKEKLIPPEREN.
	ANVEND HÅND-BESKYTTELSE	VÆR IFØRT HANDESKER, NÅR DU BRUGER HÆKKEKLIPPEREN, OG NÅR DU HÅNDETERER KLINGERNE.
	LYDTRYK	LYDTRYKSNIVEAUET ER 74 DB.
	TOHÅNDSGREB	HOLD HÆKKEKLIPPEREN MED BEGGE HÆNDER.
	ETHÅNDSGREB	HOLD IKKE HÆKKEKLIPPEREN MED EN HÅND.
	MÅ IKKE AFBRÆNDES	MÅ IKKE SMIDES PÅ FLAMMER.
	MÅ IKKE KASSERES	MÅ IKKE SMIDES I HUSHOLDNINGSAFFALDET. SKAL GIVES TIL EN GODKENDT GENBRUGER.
	MÅ IKKE UDSÆTTES FOR REGN	OPLADEREN MÅ IKKE BRUGES UNDER VÅDE FORHOLD.
	KUN INDENDØRS BRUG	KUN BEREGNET TIL INDENDØRS BRUG.
	EFTERSE STRØMFORSYNINGEN	EFTERSE REGELMÆSSIGT OPLADERENS STRØMFORSYNING OG LEDNING FOR SKADER.
	DRIFTSTEMPERATUR	BATTERIPAKKEN MÅ KUN BRUGES VED EN TEMPERATUR MELLEM 0 °C OG 40 °C (32 °F TIL 104 °F).
	SKÆREVÆRKTØJ	SKÆREVÆRKTØJ. RØR IKKE VED KLINGERNE UDEN FØRST AT DEAKTIVERE HÆKKEKLIPPEREN VED AT FJERNE BATTERIPAKKEN.

INTRODUKTION

Denne hækkeklipper er udviklet til regelmæssig vedligeholdelse og klipning. Den er ikke udviklet til at skære grene med en diameter på mere end 19 mm (¾ tomme). Anden brug kan forårsage personskade og er ikke tilladt.

SIKKERHEDSREGLER

GENERELLE SIKKERHEDSADVARSLER FOR ELVÆRKTØJ

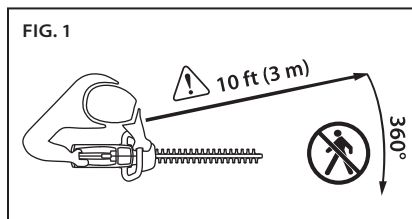
⚠ ADVARSEL: LÆS OG FORSTÅ ALLE SIKKERHEDSADVARSLER OG ALLE ANVISNINGER. MANGLENDE OVERHOLDELSE AF ADVARSLER OG ANVISNINGER KAN MEDFØRE ELEKTRISK STØD, BRAND OG/ELLER ALVORLIG PERSONSKADE.



GEM ALLE ADVARSLER OG ANVISNINGER FOR FREMTIDIG REFERENCE. BETEGNELSEN "ELVÆRKTØJ" I ADVARSLER REFERERER TIL DIT EL-NETDREVNE (LEDNINGSFORBUNDNE) ELVÆRKTØJ ELLER BATTERIDREVNE (TRÅDLØSE) ELVÆRKTØJ.

SIKKERHED I ARBEJDSOMRÅDET

- Hold arbejdsområdet rent og godt oplyst. Rodede eller mørke områder er en invitation til ulykker.
- Elværktøj må ikke bruges i eksplosive atmosfærer, som fx hvis der er brandfarlige væsker, gasser eller støv til stede. Elværktøj frembringer gnister, som kan antænde støvet eller dampene.
- Hold børn og tilskuere væk, når der bruges elværktøj (Fig. 1). Forstyrrelser kan få dig til at miste kontrollen.



⚠ FORSIGTIG: ETABLER EN SIKKERHEDSZONE FOR TILSKUERE PÅ 3 M (10 FOD), INDEN DETTE UDSTYR BRUGES. Sikkerhedszonen for tilskuere er en 3 m (10 fod) cirkel omkring brugeren, der skal forblive fri for tilskuere, børn og kæledyr.

ELEKTRISK SIKKERHED

- Elværktøjets stik skal passe til stikkontakten. Stikket må aldrig ændres på nogen måde. Der må ikke bruges adapterstik til jordet elværktøj. Uændrede stik og stikkontakter, der passer til stikkene, reducerer risikoen for elektrisk stød.
- Undgå kropskontakt med jordede overflader som fx rør, radiatorer, komfurer og køleskabe. Der er en øget risiko for elektrisk stød, hvis din krop har jordforbindelse.
- Elværktøj må ikke udsættes for regn eller våde forhold. Vand, der trænger ind i et elværktøj, øger risikoen for elektrisk stød.
- Ledningen må ikke misbruges. Brug aldrig ledningen til at bære, trække i eller tage elværktøjet ud af stikket. Hold ledningen væk fra varme, olie, skarpe eller bevægelige dele. Beskadede eller sammenfiltrede ledninger øger risikoen for elektrisk stød.
- Når elværktøj bruges udendørs, skal der anvendes en forlængerledning, der er egnet til udendørs brug. Anvendelse af en ledning, der er egnet til udendørs brug, reducerer risikoen for elektrisk stød.

- Hvis det ikke kan undgås at bruge elværktøj i et fugtigt område, skal der anvendes en strømforsyning, der er beskyttet af en fejlstrømsafbryder (FI-afbryder) eller en højfølsom, pulserende fejlstrømsafbryder (HPFI-afbryder). Anvendelse af en FI (HPFI)-afbryder reducerer risikoen for elektrisk stød.
- Tag omgående stikket ud af stikkontakten, hvis ledningen bliver beskadiget eller skåret over.

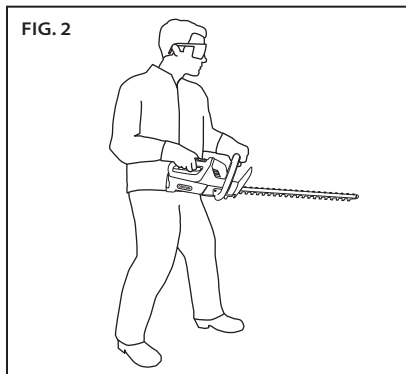
PERSONLIG SIKKERHED



- Vær årvågen, hold øje med, hvad du foretager dig, og brug din fornuft under brug af elværktøj. Elværktøj må ikke bruges, når du er træt eller påvirket af stoffer, alkohol eller medicin. Et øjeblik uopmærksomhed under brug af elværktøj kan medføre alvorlig personskade.
- Brug personligt beskyttelsesudstyr. Bær altid øjenbeskyttelse. Beskyttelsesudstyr som fx støvmaske, skridsikre sikkerhedssko, sikkerhedshjelm eller høreværn, der anvendes til passende forhold, vil reducere personskader.
- Forhindr, at elværktøjet bliver uforsættligt startet. Sørg for, at kontakten er i slukket-positionen, inden elværktøjet sættes i en strømkilde og/eller batteripakke, samles op eller bæres. Elværktøj, der bæres, mens du har fingeren på kontakten, eller tændt elværktøj, der er sat til en strømkilde, er en invitation til ulykker.
- Tag eventuelle justeringsnøgler eller skruenøgler ud, inden der tændes for elværktøjet. En skruenøgle eller nøgle, der er efterladt fastgjort til en af elværktøjets roterende dele, kan medføre personskade.

- Undlad at strække dig for meget. Sørg hele tiden for at have korrekt fodfæste og balance (Fig. 2). Dette muliggør bedre kontrol over elværktøjet i uventede situationer.

FIG. 2



- Vær iført korrekt beklædning. Undlad at være iført løst tøj eller smykker. Hold hår, tøj og handsker væk fra bevægelige dele. Løst tøj, smykker og langt hår kan sætte sig fast i bevægelige dele.
- Hvis enheder leveres til sammenkobling med anlæg til udsugning og opsamling af støv, skal det sikres, at disse sammenkøbes og bruges korrekt. Brug af støvopsamling kan reducere støvrelaterede farer.
- Længerevarende brug af elværktøj er blevet rapporteret som årsag til vaskulære, muskulære eller neurologiske lidelser (som fx hvide fingre eller Raynauds syndrom). Følg disse anvisninger for at reducere risikoen for personskade:
 - Vær iført handsker, og hold hænder og krop varme.
 - Fasthold et solidt greb om hækkeklipperen, men brug ikke længerevarende, alt for hårdt tryk.
 - Hold hyppige pauser.

Vibrationen under normal brug kan variere fra de anførte værdier afhængigt af det materiale, der bliver beskåret, vedligeholdelse af skæresystemet og andre faktorer.

BRUG OG PLEJE AF ELVÆRKTØJ

- **Forcéér ikke elværktøjet. Brug det korrekte elværktøj til din anvendelse.** *Det korrekte elværktøj vil gøre arbejdet lettere og sikrere ved den hastighed, hvortil det blev udviklet.*
- **Elværktøjet må ikke bruges, hvis tænd/sluk-kontakten ikke virker.** Et elværktøj, der ikke kan kontrolleres med kontakten, er farligt og skal repareres.
- **Tag stikket ud af strømkilden og/eller batteripakken ud af elværktøjet, før du justerer, skifter tilbehør på eller opbevarer elværktøjet.** *Sådanne præventive sikkerhedsforanstaltninger reducerer risikoen for uforsægtligt at starte elværktøjet.*



- **Opbevar ubenyttet elværktøj utilgængeligt for børn, og lad ikke personer uden kendskab til elværktøj eller disse anvisninger bruge elværktøjet.** *Elværktøj er farligt i hænderne på ukyndige brugere.*
- **Vedligehold elværktøj.** Kontrollér for skævtæk eller binding af bevægelige dele, beskadigede dele og andre forhold, der kan påvirke elværktøjets funktion. Hvis det er beskadiget, skal elværktøjet repareres inden brug. *Mange ulykker skyldes dårligt vedligeholdt elværktøj.*
- **Hold skæreværktøj skarpt og rent.** *Korrekt vedligeholdt skæreværktøj med skarpe ægge er nemmere at kontrollere, og der er ringere sandsynlighed for, at de binder.*
- **Brug elværktøjet, tilbehør og dele etc. i overensstemmelse med disse anvisninger, mens der tages hensyn til arbejdsforholdene og det arbejde, der skal udføres.** *Hvis elværktøjet bruges til andet end de tilsigtede formål kan der opstå en farlig situation.*

BRUG OG PLEJE AF BATTERIVÆRKTØJ

- **Må kun genoplades med en oplader, der er specificeret af producenten.** *En oplader, der er egnet til én type batteripakke, kan udgøre en brandfare, hvis den bruges med en anden batteripakke.*
- **Brug kun elværktøj med specifikt mærkede batteripakker.** *Brug af andre batteripakker kan skabe en risiko for personskade og brand.*
- **Når batteripakken ikke er i brug, skal den holdes væk fra andre metalgenstande som fx papirklips, mønter, nøgler, søm, skruer eller andre små metalgenstande, der kan skabe en forbindelse fra den ene terminal til den anden.** *Hvis batteriterminalerne kortsluttes ved at komme i kontakt med hinanden, kan det medføre forbrænding eller brand.*
- **Under voldsomme forhold kan der ryge væske ud af batteriet, undgå kontakt.** *Hvis der forekommer uforsægtlig kontakt, skal der skylles med vand. Hvis væsken kommer i kontakt med øjne, skal der desuden søges lægehjælp. Væske fra batteriet kan forvolde irritation eller forbrænding.*

SERVICE

Få dit elværktøj serviceret af en kvalificeret reparatør, der kun bruger identiske reservedele. Dette vil sikre, at elværktøjets sikkerhed opretholdes.

SIKKERHEDSADVARSLER FOR HÆKKEKLIPPEREN

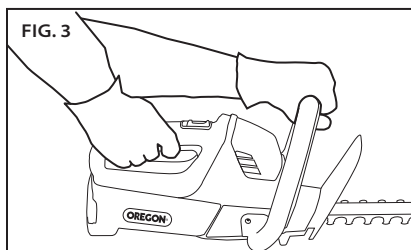


⚠ FARE: HOLD HÆNDERNE VÆK FRA SVÆRDET. KONTAKT MED SVÆRDET VIL MEDFØRE ALVORLIG PERSONSKADE.

⚠ ADVARSEL: MÅ KUN BRUGES MED HÅNDTAGET OG HÅNDAFSKÆRMNINGEN FASTGJORT KORREKT TIL HÆKKEKLIPPEREN.

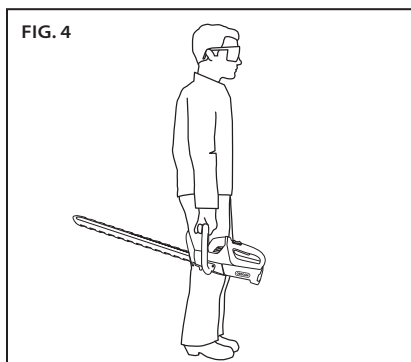
BRUG AF HÆKKEKLIPPEREN UDEN DEN/DET KORREKTE MEDFØLGENDE AFSKÆRMNING ELLER HÅNDTAG KAN MEDFØRE ALVORLIG PERSONSKADE.

- Brug begge hænder til betjening af hækkeklipperen. Enkelthåndsb brug kan føre til tab af kontrol og medføre alvorlig personskade (Fig. 3).



- Hold alle kropsdele væk fra klingerne. Fjern ikke afskåret materiale, og hold ikke materiale, der skal afskæres, når klingerne er i bevægelse. Sørg for, at der er slukket på kontakten, når du fjerner materiale, der har sat sig fast. Klingerne kører i frihjul, efter der er slukket for hækkeklipperen. Et øjeblik uopmærksomhed under brug af hækkeklipperen kan medføre alvorlig personskade.

- Bær hækkeklipperen i håndtaget med klingerne stoppet (Fig. 4). Når hækkeklipperen transporteres eller opbevares, skal skæreenhedens beskyttelse fastgøres. Korrekt håndtering af hækkeklipperen vil reducere eventuel personskade forvoldt af klingerne.



- Hold kun elværktøjet i de isolerede gribeblader, da klingerne kan være i kontakt med skjulte el-forbindelser eller deres egen ledning. *Klinger, der kommer i kontakt med en "strømførende" ledning, kan gøre elværktøjets blotlagte metaldele "strømførende" og kan give brugeren elektrisk stød.*
- Hækkeklipperen har ingen dele, der skal serviceres af brugeren. *Udskiftning af sværd, service og reparationsarbejde kræver særlig uddannelse. Se "Service- og supportoplysninger" for kontaktoplysninger.*

OPBEVARING, TRANSPORT OG BORTSKAFFELSE

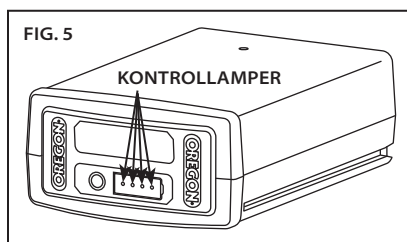
OPBEVARING AF HÆKKEKLIPPEREN

- Smør klingerne. Se "Vedligeholdelse og rengøring" for yderligere oplysninger.
- Tag batteripakken ud af hækkeklipperen.
- Rengør hækkeklipperen grundigt.
- Montér sværdbeskyttelsen.
- Opbevar på et tørt sted.
- Hold utilgængeligt for børn og kæledyr.

OPBEVARING AF BATTERIPAKKEN

Når batteripakken opbevares længere end ni måneder, skal disse retningslinjer følges:

- Tag batteripakken ud af hækkeklipperen eller opladeren.
- Opbevar på et køligt og tørt sted.
- Hold utilgængeligt for børn og kæledyr.
- For at forlænge batteriets levetid må batteripakken aldrig opbevares helt afladet. (Fig. 5).



- Opbevar ved en temperatur på mellem -20 °C og 30 °C (-4 °F til 86 °F).



OPBEVARING AF OPLADEREN

- Tag batteripakken ud af opladeren.
- Kobl opladeren fra strømkilden.
- Opbevar på et tørt sted.
- Hold utilgængeligt for børn og kæledyr.

Se "Vedligeholdelse og rengøring" for yderligere oplysninger.

TRANSPORT AF HÆKKEKLIPPEREN

Klargør hækkeklipperen som beskrevet i "Opbevaring af hækkeklipperen" inden forsendelse.

TRANSPORT AF BATTERIPAKKEN.

Overhold de respektive nationale bestemmelser ved forsendelse af lithium-ion-batterier, og obligatorisk mærkning kan være påkrævet.

BORTSKAFFELSE AF HÆKKEKLIPPER OG OPLADER

OREGON®-produktet er udviklet og fremstillet af højkvalitetsmaterialer og -komponenter, som kan genbruges/genanvendes. Når produktet er slidt op, og i henhold til direktiv 2002/95/EF, bør el-apparatet bortskaffes separat fra husholdningsaffald. I den Europæiske Union er der separate indsamlingssystemer til brugte elektriske og elektroniske produkter. Bortskaf dette udstyr på en miljørigtig måde ved et lokalt kommunalt affaldsindsamlings-/genbrugscenter.

BORTSKAFFELSE AF BATTERIPAKKE

Bortskaf ikke batteripakken med normalt husholdningsaffald. Batteripakken må ikke afbrændes. Lokal affaldshåndtering og genbrugsinstitutioner har oplysninger om korrekt bortskaffelse eller genbrug i henhold til miljøbestemmelser.



BATTERISIKKERHED

⚠ FARE: HVIS IKKE DISSE SIKKERHEDSREGLER FØLGES, KAN DET FÅ BATTERIPAKKEN TIL AT LÆKKE FARLIGE KEMIKALIER, OVERHEDE, AFGIVE RØG, BRISTE, BUE UD, EKSPLODERE OG/ELLER ANTÆNDES.

⚠ FORSIGTIG: BATTERIPAKKEN MÅ IKKE SMIDES UD MED HUSHOLDNINGSAFFALD ELLER SMIDES PÅ ILD. LITHIUM-ION-BATTERIPAKKER BØR GENBRUGES AF EN LOKAL, AUTORISERET GENBRUGER.

⚠ FORSIGTIG: BATTERIPAKKEN MÅ IKKE UDSÆTTES FOR EKSTREM VARME SOM FX INDE I EN BIL I VARMT VEJR. SÅDAN EKSPONERING KAN MEDFØRE ET TAB AF YDEEVNE OG/ ELLER PRODUKTLEVID. FORSØG IKKE PÅ AT GENOPLADE EN IKKE-GENOPLADELIG BATTERIPAKKE.

- Batteripakken må ikke skilles ad eller ændres. Dette kan beskadige sikkerhedsfunktioner.
- De positive (+) og negative (-) terminaler må ikke komme i forbindelse med metalgenstande, og batteripakken må ikke opbevares med metalgenstande som fx mønter eller skruer. Dette kan medføre kortslutning og generere nok varme til at forårsage forbrændinger.
- Batteripakken må ikke afbrændes eller udsættes for ekstrem varme. Dette kan smelte isoleringen eller beskadige sikkerhedsfunktioner.

- Må ikke bruges, oplades eller opbevares tæt på temperaturer, der er højere end 80 °C (176 °F). Dette kan medføre overhedning og intern kortslutning.
- Må ikke udsættes for ekstremt våde forhold. Dette kan beskadige sikkerhedsfunktioner, medføre ekstremt høj strøm- og spændingsladninger og føre til unormale kemiske reaktioner.
- Brug kun den oplader, der er specifikt designet til batteripakken, og følg sikkerhedsforanstaltningerne, som er beskrevet under "Opladersikkerhed". Brug af en anden oplader kan beskadige sikkerhedsfunktioner, medføre ekstremt høj strøm- og spændingsladninger og føre til unormale kemiske reaktioner.
- OREGON®-mærkede batteripakker må ikke bruges i ikke-OREGON®-mærket værktøj.
- Batteripakken må ikke slås, perforeres eller kastes, og en beskadiget eller deform batteripakke må ikke bruges.
- Forsøg ikke genopladning endnu en gang, hvis genopladning mislykkes. Hvis batteripakken afgiver en lugt, genererer varme eller på nogen måde bliver misfarvet, deform eller unormal under brug, genopladning eller opbevaring, skal den omgående tages ud af hækkeklipperen eller opladeren.
- Eventuel væske, der lækker fra batteriet, er ætsende, kan beskadige øjne og hud og kan være giftig, hvis den sluges.

OPLADERSIKKERHED

VIGTIGE SIKKERHEDSANVISNINGER

⚠ FORSIGTIG: DETTE APPARAT ER IKKE BEREGNET TIL BRUG AF PERSONER (HERUNDER BØRN) MED NEDSATTE FYSISKE, SANSEMÆSSIGE ELLER MENTALE EVNER, ELLER MANGLENDE KENDSKAB, MED MINDRE DE HAR VÆRET UNDER OPSYN ELLER HAR FÅET ANVISNINGER AF EN PERSON MED ANSVAR FOR DERES SIKKERHED. BØRN BØR HOLDES UNDER OPSYN FOR AT SIKRE, AT DE IKKE LEGER MED APPARATERNE.

⚠ ADVARSEL: RISIKO FOR ELEKTRISK STØD. NÅR DEN BRUGES UDENDØRS, MÅ DEN KUN SÆTTES I EN OVERDÆKKET KLASSE A STIKKONTAKT, DER ER BESKYTTET AF EN HPFI-AFBRYDER, OG SOM ER VEJRFAST, MED STRØMENHEDEN SAT I STIKKONTAKTEN. HVIS DER IKKE ER EN SÅDAN TIL RÅDIGHED, SKAL DU KONTAKTE EN KVALIFICERET ELEKTRIKER FOR EN KORREKT INSTALLERING. SØRG FOR, AT STRØMENHEDEN OG LEDNINGEN IKKE FORHINDRER STIKKONTAKTENS LÅG I AT LUKKE HELT.

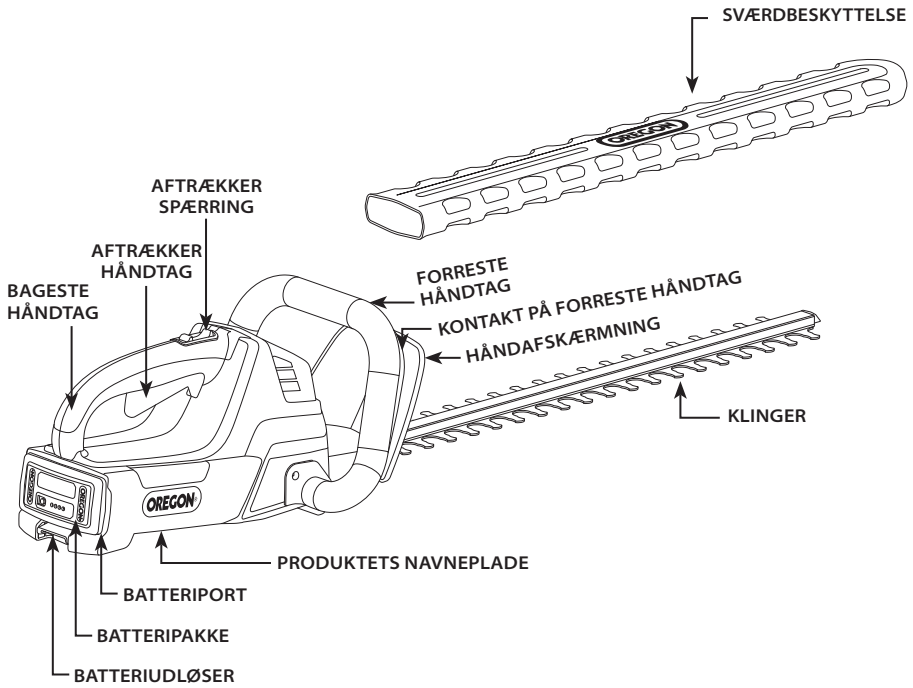
⚠ FORSIGTIG: DENNE OPLADER MÅ KUN BRUGES MED DEN MEDFØLGENDE LEDNING, MENS DER SØRGES FOR, AT INDGANGSSTIKKET SVARER KORREKT TIL UD GANGSSTIKKONTAKTEN.

Ved brug af elektriske produkter skal der altid praktiseres grundlæggende sikkerhedsforanstaltninger, inklusive følgende:

- **Læs og følg alle sikkerhedsanvisninger inden brug.** Læs og følg alle anvisninger, der er at finde på produktet, eller som følger med produktet.
- **Gem disse anvisninger.**
- **Der må ikke bruges forlængerledning.**
- **Ledningen må ikke misbruges.** Brug aldrig ledningen til at bære, trække i eller tage elværktøjet ud af stikket. Hold ledningen væk fra varme, olie, skarpe eller bevægelige dele. *Beskadigede eller sammenfildrede ledninger øger risikoen for elektrisk stød.*
- **Opladeren må ikke udsættes for regn.** *Kun til indendørs brug.*
- **Må ikke bruges inden for 3 m (10 fod) af en swimmingpool.**
- **Må ikke bruges på et badeværelse.**

PRODUKTIDENTIFIKATION

KEND HÆKKEKLIPPEREN



BEMÆRK: Se "Udpakning" for en liste over medfølgende ting.

SPECIFIKATIONER OG KOMPONENTER

RESERVEDELE	DELNUMMER
BATTERIPAKKE, MODEL B400E	548206
OPLADER MED LEDNING, MODEL C600	EU - 554933 UK - 554872 AU/NZ - 560663
OPLADER MED LEDNING, MODEL C750	EU - 558697 UK - 558698 AU/NZ - 558699
OPLADER, MODEL C600	
INPUT	100-240 V~ 50-60 HZ 60 W
OUTPUT	41,5 V _{DC} 1,25 A
LEDNING	EU - 547383 UK - 547384 AU/NZ - 559380
BATTERIPAKKE, MODEL B400E	
VÆGT	1,23 kg (2,72 pund)
TYPE	LITHIUM-ION
SPÆNDING, NOMINEL	+37 V DC
DRIFTSTEMPERATURER	0 °C TIL 40 °C (32 °F TIL 104 °F)
KAPACITET, NOMINEL	2,4 Ah/89 Wh
OPLADNINGSTID (CA.)	120 MINUTTER
HÆKKEKLIPPER	
SVÆRDLÆNGDE	600 mm (24 tommer)
SVÆRDTYPE	DOBBELT RECIPROKERENDE
SVÆRDETS MAKS. SKÆREHASTIGHED	2750 SLAG I MINUTTET
MAKS. SKÆREDIAMETER	OP TIL 19 mm (3/4 tomme)
VÆGT MED B400E	4,4 kg (9,8 pund)
LYDTRYKSNIVEAU	74 dB L _{WA} (K, 0,18 dB)
VIBRATION	1,16 m/s ² (K, 0,26 m/s ²)

HÆKKEKLIPPER, NAVNE OG BETEGNELSER

Sværdbinding: En tilstand, hvor klingerne ikke vil bevæge sig, fordi materiale har sat sig fast mellem klingernes bevægelige og ubevægelige dele.

Sikkerhedszone for tilskuere: En 3 m (10 fod) cirkel omkring brugeren, der skal forblive fri for tilskuere, børn og kæledyr.

Klinger: Rækken af skarpe overflader, der stikker ud fra hækkeklipperens forreste del, og som bevæger sig frem og tilbage for at klippe hække.

Årstid for klipning: Det ideelle tidspunkt for hækkeklipping svinger afhængigt af plantetype, men det er generelt god praksis at klippe hække i perioder med langsom vækst, når blomstringen er ovre. Spørg en lokal planteskole til råds med hensyn til klipning af specifikke planter.

Skærehastighed: Hækkeklipperen har en variabel hastighed. Tryk hårdere på aftrækkerhåndtaget for hurtigere skærehastighed. For at få mest mulig skæretid ud af hver opladning skal du blot bruge den mindste skærehastighed, der er nødvendig til at beskære materialet.

Forreste håndtag: Støtthåndtaget sidder ved eller mod hækkeklipperens forreste del.

Kontakt på forreste håndtag: En u-formet kontakt, der løber langs med det forreste håndtag, og som forhindrer uforsætlig brug af aftrækkerhåndtaget, til det startes manuelt.

Håndafskærmning: En strukturel barriere mellem en hækkeklippers forreste håndtag og klingerne.

Ny vækst: En plantes seneste vækst. Den har som regel en lysere farve, er mindre træagtig og mere fleksibel end resten af planten.

Bageste håndtag: Støtthåndtaget, der sidder ved eller mod hækkeklipperens bageste del, hvor aftrækkerhåndtaget sidder.

Aftrækkerhåndtag: En anordning, der kontrollerer klingernes hastighed.

Aftrækker spærring: Et bevægeligt stop, der forhindrer uforsætlig aktivering af hækkeklipperen, til den startes manuelt.

BETJENING AF HÆKKEKLIPPEREN

UDPAKNING

HVAD INDEHOLDER ÆSKEN?

Hækkeklipperen leveres helt samlet.
Disse ting leveres med hækkeklipperen:

- Hækkeklipper
- Sværdbeskyttelse
- Brugsanvisning
- Oplader og ledning (hvis udstyret hermed)
- Batteri (hvis udstyret hermed)

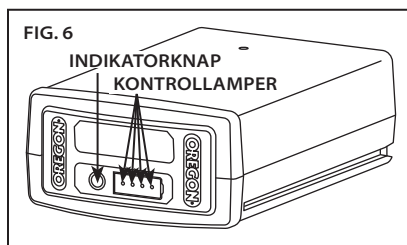
Efterse omhyggeligt hækkeklipperen efter at have taget den ud af æsken for at sikre, at den ikke er blevet beskadiget under forsendelsen, og at der ikke mangler nogen dele. Brug ikke hækkeklipperen, hvis dele er beskadigede eller mangler. Kontakt OREGON® Cordless Tool System for at få reservedele. Se "Kundeservice efter land" for landespecifikke telefonnumre.

BATTERIPAKKE OG OPLADER

⚠ ADVARSEL: BATTERIPAKKEN MÅ IKKE OPLADES I REGN.

BATTERIPAKKENS LED-INDIKATOR FOR OPLADNINGSNIVEAU

Lithium-ion-batteripakken er udstyret med en LED-indikator for opladningsniveau. For at teste batteripakkens opladningsniveau skal du trykke på indikatorknappen på batteripakkens forside (Fig. 6).



Intet lys: Genoplad.

Et fast grønt lys:
mindre end 25 % opladet.
Oplad batteripakken inden brug.

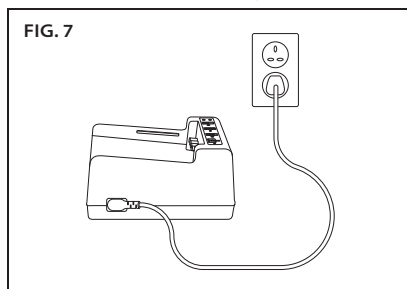
To faste grønne lys:
26-50 % opladet.

Tre faste grønne lys:
51-75 % opladet.

Fire faste grønne lys:
76-100 % opladet.

TILKOBLING AF OPLADEREN

Sæt opladerledningen til opladeren og i en korrekt stikkontakt (Fig. 7).



Brug kun det ledningssæt, der fulgte med opladeren. Ved første brug skal du bekræfte, at stikkets type svarer til stikkontakten.

OPLADERENS LED-INDIKATOR FOR OPLADNINGSTATUS

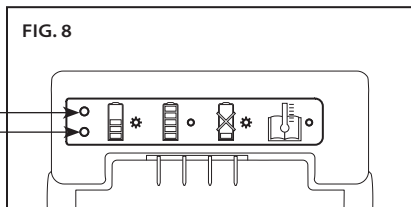
Batteriopladeren er udstyret med en LED-indikator for opladningsstatus, der angiver status på opladning samt forhold, der eventuelt kan forsinke eller forhindre opladning (Fig. 8).

Bemærk: Der vil ikke kunne ses nogen lys, til batteripakken er sat i.

Blinkende orange lys: Der eksisterer en fejltilstand. Der er flere potentielle årsager. Se "Fejlfinding" i denne brugsanvisning.

Fast orange lys: Batteripakkens temperatur er højere end det acceptable interval (0 °C/32 °F til 40 °C/104 °F). Lad batteripakken nå det acceptable temperaturinterval inden opladning. Pakken kan efterlades på opladeren, mens temperaturen tilpasses. Opladning vil starte, når den korrekte temperatur er nået.

FIG. 8



Blinkende grønt lys: Batteripakken er i gang med opladning.

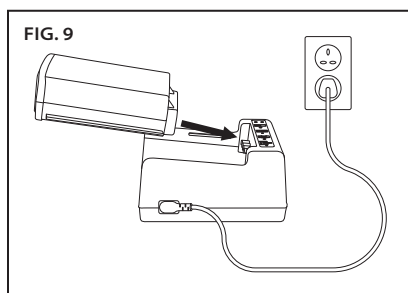
Fast grønt lys: Batteripakken er KLAR TIL BRUG.

OPLADNING AF BATTERIPAKKEN

⚠ ADVARSEL: HVIS IKKE DE KORREKTE OPLADNINGSPROCEDURER FØLGES, KAN DET MEDFØRE EKSTREM HØJ SPÆNDING, ALT FOR MEGET STRØMGENNEMLØB, KONTROLTAB UNDER OPLADNING, UDSLIP AF FARLIGE KEMIKALIER, VARMEGENERERING, SPRÆNGNING ELLER BRAND.

Når opladerledningen er sat i opladeren og i en stikkontakt, skal rillerne i batteriet flugte med skinnerne på opladeren, og batteripakken skal skubbes oven på opladeren, til den sidder helt fast (Fig. 9).

FIG. 9

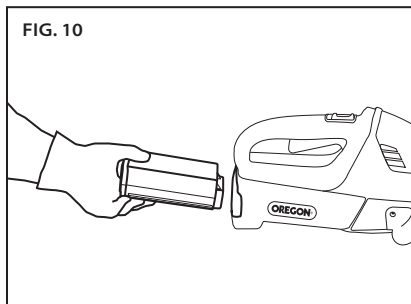


Tjek indikatoren for opladningsstatus for opladningsforhold.

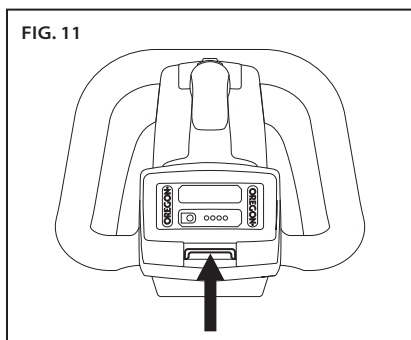
ISÆTTELSE OG UDTAGELSE AF BATTERIPAKKEN

Anvend kun OREGON®-mærkede batteripakker, der er specificeret i denne brugsanvisning.

Rillen i batteriet skal flugte med skinnerne indvendigt i batteriporten. Sæt batteripakken fast i hækkeklipperens batteriport ved at trykke den fremad, til den klikker og fastlåses på plads (Fig. 10).



Tag batteripakken ud ved at løfte op i batteriudløseren og tage pakken ud (Fig. 11).



GENEREL BETJENING



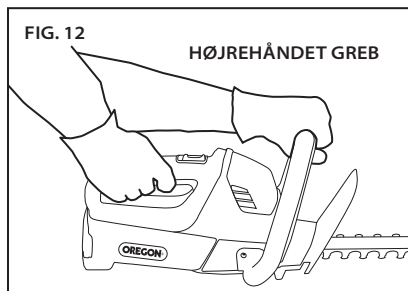
⚠ ADVARSEL: VÆR ALTID IFØRT KORREKTE HANDSKER OG ØJENBESKYTTELSE.

DRIFTSTEMPERATUR

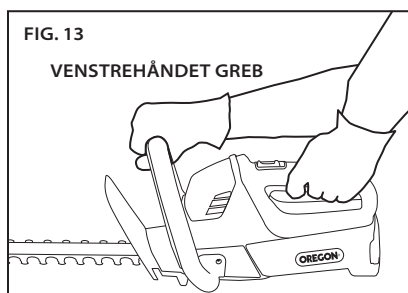
Denne hækkeklipper er udviklet til at fungere inden for et temperaturinterval på 0 °C til 40 °C (32 °F til 104 °F).

GREB

Tag altid fat i værktøjet med begge hænder. For højrehåndet betjening skal du anbringe hækkeklipperen på en fast, plan flade, tage fat i det forreste håndtag med venstre hånd og det bageste håndtag med højre hånd. Fold fingrene over det forreste håndtags top med tommelfingeren nedenunder (Fig. 12).



For venstrehåndet betjening skal du tage fat i det forreste håndtag med højre hånd og det bageste håndtag med venstre hånd (Fig. 13).



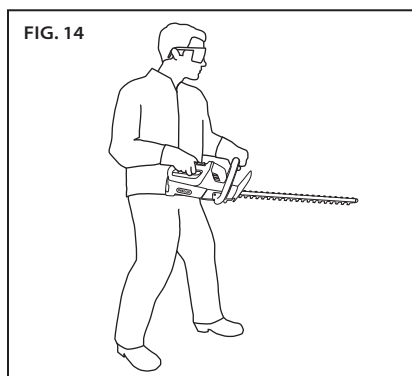
FODSTILLING

Stå med begge ben på fast grund, med vægten fordelt ligeligt.

Undlad at strække dig for meget, og stå ikke op på en stige, taburet eller anden forhøjet stilling, som ikke er gjort helt sikker.



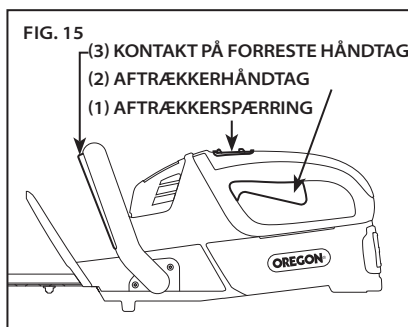
Hold hækkeklipperen så tæt på kroppen som muligt for at bevare kontrol (Fig. 14).

**STANDSNING AF HÆKKEKLIPPEREN**

Slip aftrækkerhåndtaget for at stoppe hækkeklipperen.

START AF HÆKKEKLIPPEREN

Tag godt fat i de forreste og bageste håndtag. Træk aftrækkespærringen (1) tilbage med tommelfingeren (Fig. 15). Klem om aftrækkerhåndtaget (2), til klingerne bevæger sig med den ønskede hastighed. Kontakten på det forreste håndtag (3) er en sikkerhedsfunktion. Hækkeklipperen vil ikke starte, til den aktiveres.

**KONTROL AF KLINGERNES HASTIGHED**

Aftrækkerhåndtaget kontrollerer den hastighed, hvormed klingerne svinger. Klem hårdere om aftrækkerhåndtaget for hurtigere skærehastighed.

Brug det laveste tryk, der er nødvendigt for at skære gennem materialet.

Dette hjælper med til at maksimere skæretidsmængden pr. batteriopladning og reducerer antallet af nødvendige opladninger.

HÆKKEKLIPNING

HVORNÅR SKAL DEN KLIPPES

Det ideelle tidspunkt for hækkeklipping svinger afhængigt af plantetype, men det er generelt god praksis at klippe hække i perioder med langsom vækst, når blomstringen er ovre. Spørg en lokal planteskole til råds med hensyn til klipping af specifikke planter.

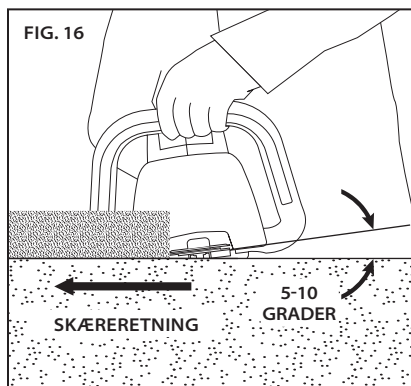
Overhold alle gældende nationale og kommunale regler og bestemmelser for hækkeklipping.

GRUNDLÆGGENDE KLIPNING

⚠ ADVARSEL: SØRG ALTID FOR FODFÆSTE, OG HOLD GODT FAT I HÆKKEKLIPPEREN MED BEGGE HÆNDER, NÅR MOTOREN ER I GANG.

Tjek hækken for fremmedlegemer inden klipping for at undgå at beskadige klingerne. Fjern eventuelle genstande, der kan hindre klipping.

Tag godt fat i hækkeklipperen, indtag den korrekte fodstilling og start så hækkeklipperen. Hold hækkeklipperen med klingerne i en vinkel på 5-10 grader mod skæreretningen (Fig. 16).



VIGTIGT: AF OG TIL BINDER KLINGERNE OG DE HOLDER OP MED AT BEVÆGE SIG, NÅR MATERIALE SÆTTER SIG FAST HERI, ELLER HVIS KLINGERNE KOMMER I KONTAKT MED ET TRÅDHEGN. SE "AFHJÆLPNING AF KLINGEBINDING" FOR AT FINDE UD AF, HVORDAN DU KLARER DETTE.

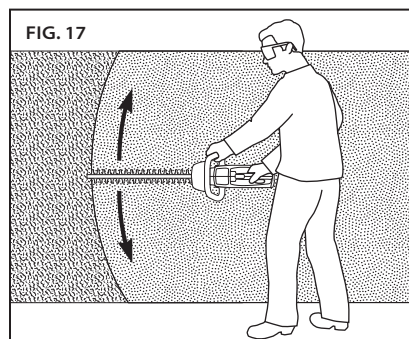
KLIPNINGSRÆKKEFØLGE

Hvis hækken er velformet, skal du fokusere på at trimme ny vækst, til hækken har den ønskede form.

Når alle store grene er fjernet, skal du bruge hækkeklipperen til at trimme hækkens sider til den ønskede længde. Trim hækkens top til sidst, når siderne er færdige.

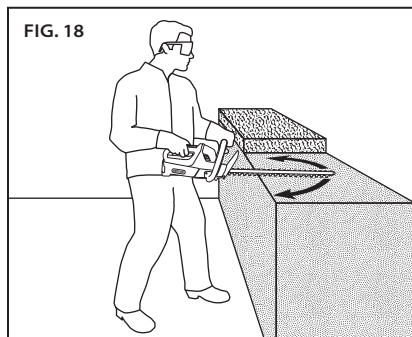
LODRET KLIPNING

Når du klipper hækkens sider, skal du starte i bunden af hækken. Hold hækkeklipperen med klingerne i en vinkel på 5-10 grader mod skæreretningen. Bevæg dig ned langs hækken, mens du med fejende bevægelser flytter hækkeklipperen langsomt op og ned i en bred bue (Fig. 17).



VANDRET KLIPNING

Når du klipper hækens top, skal du starte med den nærmeste kant. Hold hækkeklipperen med klingerne i en vinkel på 5-10 grader mod skæreretningen. Bevæg dig ned langs hækken, mens du med fejende bevægelser flytter hækkeklipperen langsomt til venstre og højre i en bred bue (Fig. 18).



Hvis hækens top er for bred til at kunne klippes med én fejende bevægelse med hækkeklipperen, må du ikke læne dig hen over hækken for at trimme resten. I stedet skal du foretage en tur ned langs hækens ene side og derefter klippe resten fra den anden side af hækken.

AFHJÆLPNING AF KLINGEBINDING

⚠ FORSIGTIG: TAG ALTID BATTERIET UD, INDEN DU FJERNER TING FRA KLINGERNE FOR AT UNDGÅ UFORSÆTLIG AKTIVERING AF KLINGERNE.

⚠ FORSIGTIG: KLINGERNE ER SKARPE. VÆR ALTID IFØRT HANDSKER, NÅR DU FJERNER MATERIALE FRA KLINGERNE.

Når du beskærer smidige, "grønne" grene, kan de afklippede grene sommetider sætte sig fast mellem klingerne og den ubevægelige del. Når det sker, kan klingerne pludselig stoppe med at bevæge sig. Dette kan også ske, hvis klingerne kommer i kontakt med materiale, der er for kraftigt til at kunne skæres over, som fx et trådhegn. Dette kaldes klingebinding.

Følg disse retningslinjer for at fjerne materialet sikkert og effektivt.

- Vær iført handsker.
- Tag batteripakken ud af hækkeklipperen. Se "Udtagelse af batteripakken".
- Fjern materialet, der forhindrer klingerne i at bevæge sig.

VEDLIGEHOLDELSE OG RENGØRING

HÆKKEKLIPPER

⚠ ADVARSEL: EFTERSE HÆKKEKLIPPEREN. REGELMÆSSIGT EFTERSYN ER FØRSTE SKRIDT TIL KORREKT VEDLIGEHOLDELSE. FØLG RETNINGSLINJERNE NEDENFOR FOR AT MAKSIMERE SIKKERHED OG TILFREDSHED. FÅ OMGÅENDE ALLE BESKADIGEDE ELLER MEGET SLIDTE DELE UDSKIFTET. HVIS BESKADIGEDE ELLER SLIDTE DELE IKKE IDENTIFICERES OG UDSKIFTES, KAN DET MEDFØRE ALVORLIG PERSONSKADE.

⚠ ADVARSEL: TAG BATTERIPAKKEN UD AF HÆKKEKLIPPEREN FORUD FOR EFTERSYN, RENGØRING ELLER VEDLIGEHOLDELSE. ET BATTERIDREJET VÆRKTØJ MED BATTERIPAKKEN ISAT ER ALTID TÆNDT OG KAN UFORSÆTLIGT STARTE.

⚠ FORSIGTIG: NÅR DU RENGØR HÆKKEKLIPPEREN, MÅ DEN IKKE NEDSÆNKES I VAND ELLER ANDRE VÆSKER.

RENGØR HÆKKEKLIPPEREN

- Tør støv, blade og afklippede kviste/grene af hækkeklipperen.
- Ryd udluftningshullerne for at sikre korrekt luftstrømning og forhindre overhedning.
- Tør strømhovedet med en ren klud, der er fugtet med mild sæbe og vand.
- Brug aldrig barske rengørings- eller opløsningsmidler.

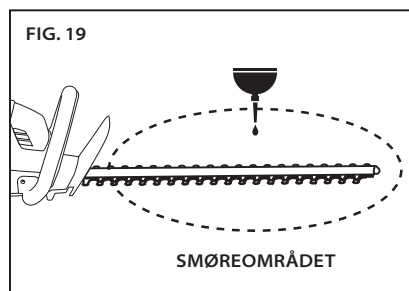
EFTERSE KLINGERNE

Sørg for, at klingerne er skarpe, ikke har nogen hak eller sløve kanter, og undlad at klingerne sætter sig fast, når hækkeklipperen er i gang. Fil regelmæssigt hak og grater af klingerne for at sikre, at de bevæger sig frit. Skarpe og frit bevægeligt klinger skærer nemmere end sløve eller klæbrige klinger.

KLINGEPLIJE

Ved klipning af hække med kraftig plantesaft eller i støvede miljøer, kan ophobning af plantesaft og skidt af og til gøre klingerne klæbrige. For at forhindre denne klæbrige tilstand skal du rengøre klingerne med et let lag flydende siliciumsmøremiddel på klingernes smøringsområde (Fig. 19) og lade klingerne køre lidt for en jævn fordeling af smøremidlet.

VIGTIGT: LAD IKKE SMØREMIDLET DRYPPE IND I HÆKKEKLIPPERENS HOVEDDEL. BRUG ALDRIG FEDTOPLØSNINGSMIDLER ELLER VANDFORSKYDNINGSPRODUKTER PÅ DÅSE. UNDLAD OVERSMØRING.



EFTERSE SPIDSBESKYTTELSEN

Hvis en spidsbeskyttelse er monteret, skal du tjekke for at sikre, at den ikke er bøjet eller ødelagt. En bøjet spidsbeskyttelse kan forhindre klingerne frie bevægelse. Hvis spidsbeskyttelsen er bøjet eller ødelagt, skal den udskiftes af et godkendt servicecenter.

MONTÉR SVÆRDBESKYTTELSE.

Sæt sværdbeskyttelsen over klingerne for at holde dem rene og for at forhindre dem i at hænge fast i eller skære personer eller genstande.

EFTERSE HÅNDTAGENE

Sørg for, at både det forreste og bageste håndtag er rene, tørre og fri for revner eller anden skade. Det kan medføre alvorlig personskade, hvis et beskadiget håndtag knækker under brug.

EFTERSE BATTERIPORTEN

Sørg for, at batteriporten er ren, tør og fri for snavs. Snavs i batteriporten kan forhindre en god elektrisk forbindelse mellem batteripakken og hækkeklipperen.

BATTERIPAKKE

⚠ ADVARSEL: BATTERIPAKKEN INDEHOLDER INGEN DELE, DER SKAL SERVICERES AF BRUGEREN. MÅ IKKE SKILLES AD.

Lithium-ion-batterier har en bestemt produktlevetid. Hvis længden af skæretid pr. opladning falder bemærkelsesværdigt, er batteripakkens produktlevetid udløbet, og den bør udskiftes.

- Sørg for, at batteripakken, inklusive kontakterne, er ren, tør og ikke viser tegn på gennemhulning, stød eller anden skade. Defekte batterier kan forårsage brand eller afgive farlige kemikalier.
- Rengør beskidte kontakter med en tør, blød klud. Skidt eller olie kan medføre en dårlig elektrisk forbindelse, hvilket fører til tab af strøm.

OPLADER

- Tag opladeren ud af stikkontakten.
- Rengør beskidte kontakter med en tør, blød klud.

FEJLFINDING

Brug denne tabel for at se mulige løsninger på eventuelle problemer med hækkeklipperen. Hvis disse forslag ikke løser problemet, henvises der til "Service- og supportoplysninger".

SYMPTOM	EVENTUEL ÅRSAG	ANBEFALEDE HANDLINGER
Motoren kører ikke eller kører sporadisk	Batteriet er afladet	Genoplad det. Se "Opladning af batteripakken".
	Kontakten på det forreste håndtag eller aftrækkerafspærringen er ikke aktiveret	Tag fat i kontakten på det forreste håndtag, og træk aftrækker-spærringen tilbage, inden du klemmer om aftrækkerhåndtaget. Se "Start af hækkeklipperen".
	Batteripakken er ikke sat helt i	Tryk batteripakken ind i batteriporten, til den klikker på plads.
	Batterikontakterne er beskidte	Tag batteripakken ud, fjern snavs fra batteriporten, og rengør så kontakterne med en ren, tør klud.
	Batteripakken er kold	Lad batteripakken varme op til den minimale driftstemperatur på 0 °C (32 °F).
Motoren kører, men klingerne bevæger sig ikke	En genstand forhindrer klingernes bevægelse	Se "Afhjælpning af klingebinding".
Hækkeklipperen klipper ikke, som den skal	Resinophobning forhindrer klingernes bevægelse	Se "Klingepleje".
	Klingerne er sløve	Få klingerne hvæsset af en ekspert.
Batteripakken oplader ikke	Batteripakkens beskyttelse mod for høj/for lav temperatur er aktiveret	Dette kan forekomme, når hækkeklipperen kører konstant eller er udsat for høje omgivelsestemperaturer. Lad batteripakken nå det acceptable temperaturinterval inden opladning. Se "Opladning af batteripakken".
	Beskidte eller beskadigede kontakter på batteripakken eller opladeren	Efterse kontakterne på både batteripakken og opladeren. Rengør som beskrevet under "Vedligeholdelse og rengøring", og sæt den så tilbage i opladeren og sørg for, at den sidder helt fast.
	Batteripakken er slidt op	Alle batterier har en begrænset levetid. Hvis batteripakken er mere end to år gammel eller er blevet hyppigt opladet, kan det være på tide at udskifte den. Udskift kun med den batteripakke, der er specificeret til denne hækkeklipper.
	Opladerfejl	Få funktionen tjekket af et godkendt servicecenter.

SYMPTOM	EVENTUEL ÅRSAG	ANBEFALEDE HANDLINGER
Lav skæretid pr. batteriopladning	Klingerne er sløve	Få klingerne hvæsset af en ekspert.
	Slidte klinger	Få klingerne udskiftet af et godkendt servicecenter.
	Bøjede klinger	Få klingerne udskiftet af et godkendt servicecenter.
	Forkert skæreteknik	Følg retningslinjerne under "Grundlæggende klipning".
	Højere skærehastighed end nødvendigt	Tryk mindre hårdt på aftrækkerhåndtaget.
	Resinophobning forhindrer klingerne bevægelse	Se "Klingepleje".
	Batteripakken er ikke helt opladet	Se "Opladning af batteripakken".
Blinkende orange lys på indikatoren for opladningsstatus	Opladerkortslutning, opladeroverstrøm, overspændingsgrænse, åbent kredsløb på batteripakken eller timeout-fejl ved opladning/præ-opladning	<ol style="list-style-type: none"> 1. Sørg for, at opladerledningen er sat i både opladeren og stikkontakten. 2. Sørg for, at opladeren får den korrekte spænding. 3. Prøv at oplade en anden batteripakke, der er designet til denne oplader. <p>Hvis det ikke afhjælper problemet, skal funktionen tjekkes af et godkendt servicecenter.</p>

GARANTI OG SERVICE

GARANTI

Blount, Inc. garanterer alt/alle registrerede OREGON® batteridrevne værktøjer, batteripakker og opladere i en periode på to (2) år fra den originale købsdato og et (1) år, hvis det/de bruges til erhvervsformål. Denne begrænsede garanti gælder for produkter, der er fremstillet af OREGON® Cordless Tool System. I denne garantiperiode vil Blount ombytte eller, ud fra deres valg, reparere alle produkter eller dele, som efter Blounts undersøgelse identificeres som værende defekte i materiale og/eller håndværk, uden beregning og udelukkende for den originale køber. Køberen skal være ansvarlig for alle forsendelsesomkostninger og eventuelle omkostninger for aftagelse af en del, der er indsendt til ombytning under denne garanti.

GEM DEN ORIGINALE BON

Fastgør den originale bon fra købet til denne brugsanvisning og fil. For service under garantien skal du bringe produktet og bonen til den forhandler, hvor du købte produktet. Eller kontakt os via de oplysninger, der er anført under "Kundeservice efter land".

SERVICE- OG SUPPORTOPLYSNINGER

Besøg os på internettet på **OregonCordless.com** for oplysninger om servicecentre, eller kontakt vores kundeserviceafdeling for hjælp, yderligere teknisk rådgivning, reparation eller reservedele. Se "Kundeservice efter land" for landespecifikke telefonnumre.

Af sikkerhedsmæssige grunde må der kun bruges originale fabriksreservedele til elværktøjet. Vores servicecenter har uddannede medarbejdere, som på effektiv vis kan yde support og hjælp med justering, reparation eller udskiftning af alle OREGON® Cordless Tool System-produkter.

EC - KONFORMITETSERKLÆRING

Blount International Inc. 4909 SE International Way, Portland, Oregon 97222 USA

ERKLÆRER, AT FØLGENDE PRODUKT(ER):

Batteridreven (-drevne) hækkeklipper model(ler): **HT255**

C600 batterioplader


OVERHOLDER FØLGENDE EUROPÆISKE DIREKTIVER OG STANDARDER:

EF-DIREKTIVER:

MASKINDIREKTIV 2006/42/EF

VIRKSOMHEDSREPRÆSENTANT:

EUROPÆISK KONTAKT FOR TEKNISK FIL:



Kevin Cyrus
Chef for overholdelse af & produksikkerhed
Blount International Inc.
Portland, OR 97222, USA

Hr. Marnix Kuypers
Blount International-Europe-S. A.
Rue Emile Francqui, 5
B 1435 Mont-Saint-Guibert
Belgium

DATO/STED:

10. juli 2012, Portland, OR

ΠΙΝΑΚΑΣ ΠΕΡΙΕΧΟΜΕΝΩΝ

ΣΥΜΒΟΛΑ ΚΑΙ ΕΤΙΚΕΤΕΣ	166
ΚΑΝΟΝΕΣ ΑΣΦΑΛΕΙΑΣ	167
ΓΕΝΙΚΕΣ ΠΡΟΕΙΔΟΠΟΙΗΣΕΙΣ ΑΣΦΑΛΕΙΑΣ ΗΛΕΚΤΡΙΚΩΝ ΕΡΓΑΛΕΙΩΝ.	167
ΑΣΦΑΛΕΙΑ ΠΕΡΙΟΧΗΣ ΕΡΓΑΣΙΑΣ	167
ΗΛΕΚΤΡΙΚΗ ΑΣΦΑΛΕΙΑ	167
ΠΡΟΣΩΠΙΚΗ ΑΣΦΑΛΕΙΑ.	168
ΧΡΗΣΗ ΚΑΙ ΣΥΝΤΗΡΗΣΗ ΗΛΕΚΤΡΙΚΩΝ ΕΡΓΑΛΕΙΩΝ.	169
ΧΡΗΣΗ ΚΑΙ ΦΡΟΝΤΙΔΑ ΕΡΓΑΛΕΙΩΝ ΜΠΑΤΑΡΙΑΣ	169
ΕΠΙΣΚΕΥΗ.	169
ΠΡΟΕΙΔΟΠΟΙΗΣΕΙΣ ΑΣΦΑΛΕΙΑΣ ΓΙΑ ΨΑΛΙΔΙ ΜΠΟΡΝΤΟΥΡΑΣ ΘΑΜΝΩΝ.	169
ΑΠΟΘΗΚΕΥΣΗ, ΜΕΤΑΦΟΡΑ ΚΑΙ ΑΠΟΡΡΙΨΗ	170
ΑΣΦΑΛΕΙΑ ΦΟΡΤΙΣΤΗ	172
ΑΝΑΓΝΩΡΙΣΗ ΠΡΟΪΟΝΤΟΣ	173
ΠΡΟΔΙΑΓΡΑΦΕΣ ΚΑΙ ΕΞΑΡΤΗΜΑΤΑ	174
ΟΝΟΜΑΤΑ ΚΑΙ ΟΡΟΙ ΨΑΛΙΔΙΟΥ ΜΠΟΡΝΤΟΥΡΑΣ ΘΑΜΝΩΝ	175
ΛΕΙΤΟΥΡΓΙΑ ΤΟΥ ΨΑΛΙΔΙΟΥ ΜΠΟΡΝΤΟΥΡΑΣ ΘΑΜΝΩΝ.	176
ΑΠΟΣΥΣΚΕΥΑΣΙΑ	176
ΜΠΑΤΑΡΙΑ ΚΑΙ ΦΟΡΤΙΣΤΗΣ	176
ΓΕΝΙΚΗ ΛΕΙΤΟΥΡΓΙΑ.	178
ΚΟΠΗ ΘΑΜΝΩΝ	180
ΣΥΝΤΗΡΗΣΗ ΚΑΙ ΚΑΘΑΡΙΣΜΟΣ	182
ΨΑΛΙΔΙ ΜΠΟΡΝΤΟΥΡΑΣ ΘΑΜΝΩΝ	182
ΜΠΑΤΑΡΙΑ	183
ΦΟΡΤΙΣΤΗΣ	183
ΕΠΙΛΥΣΗ ΠΡΟΒΛΗΜΑΤΩΝ	184
ΕΓΓΥΗΣΗ ΚΑΙ ΕΠΙΣΚΕΥΗ.	186
ΔΗΛΩΣΗ ΠΙΣΤΟΤΗΤΑΣ «ΕΚ»	187
ΕΞΥΠΗΡΕΤΗΣΗ ΠΕΛΑΤΩΝ ΑΝΑ ΧΩΡΑ.	418

ΣΥΜΒΟΛΑ ΚΑΙ ΕΤΙΚΕΤΕΣ

ΣΥΜΒΟΛΟ	ΟΝΟΜΑ	ΕΠΕΞΗΓΗΣΗ
	ΚΑΤΑΣΚΕΥΗ ΚΑΤΗΓΟΡΙΑΣ 2	ΚΑΘΟΡΙΣΜΕΝΑ ΕΡΓΑΛΕΙΑ ΚΑΤΑΣΚΕΥΗΣ ΔΙΠΛΗΣ ΜΟΝΩΣΗΣ
	ΣΥΜΒΟΛΟ ΠΡΟΕΙΔΟΠΟΙΗΣΗΣ ΑΣΦΑΛΕΙΑΣ	ΥΠΟΔΕΙΚΝΥΕΙ ΟΤΙ ΤΟ ΚΕΙΜΕΝΟ ΠΟΥ ΑΚΟΛΟΥΘΕΙ ΕΞΗΓΕΙ ΕΝΑΝ ΚΙΝΔΥΝΟ, ΠΡΟΕΙΔΟΠΟΙΗΣΗ Η ΠΡΟΣΟΧΗ.
	ΔΙΑΒΑΣΤΕ ΤΙΣ ΟΔΗΓΙΕΣ	ΤΟ ΠΡΩΤΟΤΥΠΟ ΕΓΧΕΙΡΙΔΙΟ ΟΔΗΓΙΩΝ ΠΕΡΙΛΑΜΒΑΝΕΙ ΣΗΜΑΝΤΙΚΕΣ ΠΛΗΡΟΦΟΡΙΕΣ ΑΣΦΑΛΕΙΑΣ ΚΑΙ ΛΕΙΤΟΥΡΓΙΑΣ. ΔΙΑΒΑΣΤΕ ΚΑΙ ΑΚΟΛΟΥΘΗΣΤΕ ΠΡΟΣΕΚΤΙΚΑ ΤΙΣ ΟΔΗΓΙΕΣ.
	ΦΟΡΑΤΕ ΠΡΟΣΤΑΣΙΑ ΓΙΑ ΤΑ ΜΑΤΙΑ	ΦΟΡΑΤΕ ΠΡΟΣΤΑΣΙΑ ΓΙΑ ΤΑ ΜΑΤΙΑ ΟΤΑΝ ΛΕΙΤΟΥΡΓΕΙΤΕ ΤΟ ΨΑΛΙΔΙ ΜΠΟΡΝΤΟΥΡΑΣ ΘΑΜΝΩΝ.
	ΦΟΡΑΤΕ ΠΡΟΣΤΑΣΙΑ ΓΙΑ ΤΑ ΧΕΡΙΑ	ΦΟΡΑΤΕ ΓΑΝΤΙΑ ΟΤΑΝ ΛΕΙΤΟΥΡΓΕΙΤΕ ΤΟ ΨΑΛΙΔΙ ΜΠΟΡΝΤΟΥΡΑΣ ΘΑΜΝΩΝ ΚΑΙ ΟΤΑΝ ΧΕΙΡΙΖΕΣΤΕ ΤΙΣ ΛΕΠΙΔΕΣ ΚΟΠΗΣ.
	ΗΧΗΤΙΚΗ ΙΣΧΥΣ	ΕΠΙΠΕΔΟ ΗΧΗΤΙΚΗΣ ΙΣΧΥΟΣ 74 DB.
	ΚΡΑΤΗΜΑ ΚΑΙ ΜΕ ΤΑ ΔΥΟ ΧΕΡΙΑ	ΚΡΑΤΗΣΤΕ ΤΟ ΨΑΛΙΔΙ ΜΠΟΡΝΤΟΥΡΑΣ ΘΑΜΝΩΝ ΚΑΙ ΜΕ ΤΑ ΔΥΟ ΧΕΡΙΑ.
	ΚΡΑΤΗΜΑ ΜΕ ΤΟ ΕΝΑ ΧΕΡΙ	ΜΗΝ ΚΡΑΤΑΤΕ ΤΟ ΨΑΛΙΔΙ ΜΠΟΡΝΤΟΥΡΑΣ ΘΑΜΝΩΝ ΜΕ ΤΟ ΕΝΑ ΧΕΡΙ.
	ΜΗΝ ΤΟ ΑΠΟΤΕΦΡΩΝΕΤΕ	ΜΗΝ ΤΟ ΑΠΟΡΡΙΠΤΕΤΕ ΣΕ ΦΛΟΓΕΣ.
	ΜΗΝ ΤΟ ΑΠΟΡΡΙΠΤΕΤΕ	ΜΗΝ ΤΟ ΠΕΤΑΤΕ ΣΤΑ ΟΙΚΙΑΚΑ ΑΠΟΡΡΙΜΜΑΤΑ. ΑΠΕΥΘΥΝΘΕΙΤΕ ΣΕ ΕΝΑΝ ΕΞΟΥΣΙΟΔΟΤΗΜΕΝΟ ΥΠΕΥΘΥΝΟ ΑΝΑΚΥΚΛΩΣΗΣ.
	ΜΗΝ ΤΟ ΕΚΘΕΤΕΤΕ ΣΤΗ ΒΡΟΧΗ	ΜΗΝ ΛΕΙΤΟΥΡΓΕΙΤΕ ΤΟΝ ΦΟΡΤΙΣΤΗ ΣΕ ΥΓΡΕΣ ΣΥΝΘΗΚΕΣ.
	ΓΙΑ ΕΣΩΤΕΡΙΚΗ ΧΡΗΣΗ ΜΟΝΟ	ΠΡΟΟΡΙΖΕΤΑΙ ΜΟΝΟ ΓΙΑ ΕΣΩΤΕΡΙΚΗ ΧΡΗΣΗ.
	ΕΠΙΘΕΩΡΗΣΤΕ ΤΟ ΤΡΟΦΟΔΟΤΙΚΟ	ΕΠΙΘΕΩΡΕΙΤΕ ΤΑΚΤΙΚΑ ΤΟ ΤΡΟΦΟΔΟΤΙΚΟ ΤΟΥ ΦΟΡΤΙΣΤΗ ΚΑΙ ΤΟ ΚΑΛΩΔΙΟ ΓΙΑ ΝΑ ΕΝΤΟΠΙΣΕΤΕ ΤΥΧΟΝ ΦΘΟΡΑ.
	ΘΕΡΜΟΚΡΑΣΙΑ ΛΕΙΤΟΥΡΓΙΑΣ	ΧΡΗΣΙΜΟΠΟΙΕΙΤΕ ΤΗΝ ΜΠΑΤΑΡΙΑ ΜΟΝΟ ΣΕ ΘΕΡΜΟΚΡΑΣΙΕΣ ΜΕΤΑΞΥ 0°C ΚΑΙ 40°C (32°F ΕΩΣ 104°F).
	ΕΡΓΑΛΕΙΟ ΚΟΠΗΣ	ΕΡΓΑΛΕΙΟ ΚΟΠΗΣ. ΜΗΝ ΑΚΟΥΜΠΑΤΕ ΤΙΣ ΛΕΠΙΔΕΣ ΚΟΠΗΣ ΧΩΡΙΣ ΝΑ ΑΠΕΝΕΡΓΟΠΟΙΗΣΕΤΕ ΠΡΩΤΑ ΤΟ ΨΑΛΙΔΙ ΜΠΟΡΝΤΟΥΡΑΣ ΘΑΜΝΩΝ ΑΦΑΙΡΩΝΤΑΣ ΤΗΝ ΜΠΑΤΑΡΙΑ.

ΕΙΣΑΓΩΓΗ

Αυτό το ψαλίδι μπορντούρας θάμνων είναι σχεδιασμένο για τακτική συντήρηση και κλάδεμα. Δεν είναι σχεδιασμένο για την κοπή κλαδιών με διάμετρο μεγαλύτερη από 19 mm (¾ ίντσας). Άλλες χρήσεις μπορεί να προκαλέσουν τραυματισμό και δεν επιτρέπονται.

ΚΑΝΟΝΕΣ ΑΣΦΑΛΕΙΑΣ

ΓΕΝΙΚΕΣ ΠΡΟΕΙΔΟΠΟΙΗΣΕΙΣ ΑΣΦΑΛΕΙΑΣ ΗΛΕΚΤΡΙΚΩΝ ΕΡΓΑΛΕΙΩΝ

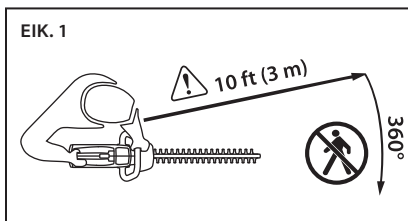
⚠ ΠΡΟΕΙΔΟΠΟΙΗΣΗ: ΔΙΑΒΑΣΤΕ ΚΑΙ ΚΑΤΑΝΟΗΣΤΕ ΟΛΕΣ ΤΙΣ ΠΡΟΕΙΔΟΠΟΙΗΣΕΙΣ ΑΣΦΑΛΕΙΑΣ ΚΑΙ ΟΛΕΣ ΤΙΣ ΟΔΗΓΙΕΣ. ΜΗ ΤΗΡΗΣΗ ΤΩΝ ΠΡΟΕΙΔΟΠΟΙΗΣΕΩΝ ΚΑΙ ΟΔΗΓΙΩΝ ΜΠΟΡΕΙ ΝΑ ΠΡΟΚΑΛΕΣΕΙ ΗΛΕΚΤΡΟΠΛΗΞΙΑ, ΠΥΡΚΑΓΙΑ ΚΑΙ/Η ΣΟΒΑΡΟ ΤΡΑΥΜΑΤΙΣΜΟ.



ΚΡΑΤΗΣΤΕ ΟΛΕΣ ΤΙΣ ΠΡΟΕΙΔΟΠΟΙΗΣΕΙΣ ΚΑΙ ΟΔΗΓΙΕΣ ΓΙΑ ΜΕΛΛΟΝΤΙΚΗ ΑΝΑΦΟΡΑ. Ο ΟΡΟΣ «ΗΛΕΚΤΡΙΚΟ ΕΡΓΑΛΕΙΟ» ΣΤΙΣ ΠΡΟΕΙΔΟΠΟΙΗΣΕΙΣ ΑΝΑΦΕΡΕΤΑΙ ΣΤΟ ΗΛΕΚΤΡΙΚΟ ΕΡΓΑΛΕΙΟ ΣΑΣ ΜΕ ΠΑΡΟΧΗ ΡΕΥΜΑΤΟΣ ΑΠΟ ΤΗΝ ΠΡΙΖΑ (ΕΝΣΥΡΜΑΤΟ) Η ΑΠΟ ΤΗΝ ΜΠΑΤΑΡΙΑ (ΑΣΥΡΜΑΤΟ).

ΑΣΦΑΛΕΙΑ ΠΕΡΙΟΧΗΣ ΕΡΓΑΣΙΑΣ

- Διατηρήστε την περιοχή εργασίας καθαρή και καλά φωτισμένη. Ακατάστατες ή σκοτεινές περιοχές μπορεί να προκαλέσουν ατυχήματα.
- Μην λειτουργείτε ηλεκτρικά εργαλεία σε εκρηκτικά περιβάλλοντα, όπως για παράδειγμα παρουσία εύφλεκτων υγρών, αερίων ή σκόνης. Τα ηλεκτρικά εργαλεία δημιουργούν σπινθήκες, οι οποίες μπορούν να αναφλέξουν τη σκόνη ή τις αναθυμιάσεις.
- Κρατήστε τα παιδιά και τους περαστικούς μακριά όταν χρησιμοποιείτε ένα ηλεκτρικό εργαλείο (Εικ. 1). Οι καταστάσεις που αποσπούν την προσοχή σας μπορούν να προκαλέσουν απώλεια ελέγχου.



⚠ ΠΡΟΣΟΧΗ: ΚΑΘΟΡΙΣΤΕ ΜΙΑ ΖΩΝΗ ΑΣΦΑΛΕΙΑΣ ΠΕΡΑΣΤΙΚΩΝ 3 Μ (10 FT) ΠΡΙΝ ΑΠΟ ΤΗ ΛΕΙΤΟΥΡΓΙΑ ΑΥΤΟΥ ΤΟΥ ΕΞΟΠΛΙΣΜΟΥ. Η ζώνη ασφαλείας περαστικών είναι ένας κύκλος 3 m (10 ft) γύρω από τον χειριστή, ο οποίος πρέπει να παραμένει ελεύθερος από περαστικούς, παιδιά και κατοικίδια.

ΗΛΕΚΤΡΙΚΗ ΑΣΦΑΛΕΙΑ

- Τα βύσματα των ηλεκτρικών εργαλείων πρέπει να ταιριάζουν στην πρίζα. Ποτέ μην τροποποιείτε το βύσμα με οποιονδήποτε τρόπο. Μην χρησιμοποιείτε αντάπτορες βυσμάτων με γειωμένα ηλεκτρικά εργαλεία. Μη τροποποιημένα βύσματα και πρίζες που ταιριάζουν θα μειώσουν τον κίνδυνο ηλεκτροπληξίας.
- Αποφύγετε την επαφή με γειωμένες επιφάνειες όπως σωλήνες, καλοριφέρ, κουζίνες και ψυγεία. Υπάρχει αυξημένος κίνδυνος ηλεκτροπληξίας αν το σώμα σας είναι γειωμένο.
- Μην εκθέτετε ηλεκτρικά εργαλεία σε βροχή ή υγρές συνθήκες. Η είσοδος του νερού σε ηλεκτρικό εργαλείο θα αυξήσει τον κίνδυνο ηλεκτροπληξίας.
- Μην κακομεταχειρίζεστε το καλώδιο. Ποτέ μην χρησιμοποιείτε το καλώδιο για μεταφορά, έλξη ή αποσύνδεση του ηλεκτρικού εργαλείου. Κρατήστε το καλώδιο μακριά από θερμότητα, λάδι, αιχμηρές άκρες ή κινούμενα μέρη. Φθαρμένα ή μπλεγμένα καλώδια αυξάνουν τον κίνδυνο ηλεκτροπληξίας.
- Όταν λειτουργείτε ένα ηλεκτρικό εργαλείο σε εξωτερικό χώρο, χρησιμοποιήστε καλώδιο επέκτασης κατάλληλο για εξωτερική χρήση. Η χρήση καλωδίου κατάλληλου για εξωτερική χρήση μειώνει τον κίνδυνο ηλεκτροπληξίας.

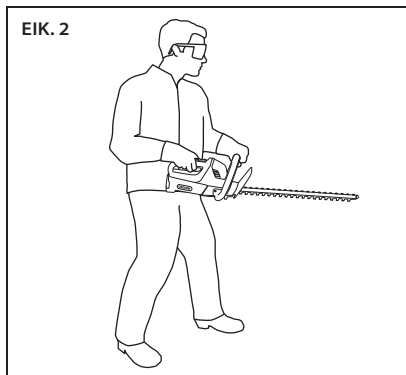
- Εάν η χρήση ενός ηλεκτρικού εργαλείου σε μέρος με υγρασία είναι αναπόφευκτη, χρησιμοποιήστε προστατευμένο τροφοδοτικό διάταξης παραμένοντος ρεύματος (RCD) ή διακόπτη κυκλώματος σφάλματος γείωσης (GFCI). Η χρήση ενός RCD (GFCI) μειώνει τον κίνδυνο ηλεκτροπληξίας.
- Αφαιρέστε το βύσμα από την πρίζα αμέσως εάν το καλώδιο είναι φθαρμένο ή έχει κοπεί.

ΠΡΟΣΩΠΙΚΗ ΑΣΦΑΛΕΙΑ



- Να είστε πάντα σε εγρήγορση, να προσέχετε τι κάνετε και να χρησιμοποιείτε κοινή λογική κατά την λειτουργία ενός ηλεκτρικού εργαλείου. Μην χρησιμοποιείτε ηλεκτρικά εργαλεία όταν είστε κουρασμένοι ή υπό την επήρεια ναρκωτικών, αλκοόλ ή φαρμακευτικής αγωγής. Μια στιγμή απροσεξίας κατά τη λειτουργία ηλεκτρικών εργαλείων μπορεί να προκαλέσει σοβαρό τραυματισμό.
- Χρησιμοποιήστε προσωπικό προστατευτικό εξοπλισμό. Φοράτε πάντα προστασία για τα μάτια. Προστατευτικός εξοπλισμός όπως μάσκα σκόνης, αντιολισθητικά παπούτσια ασφαλείας, κράνος εργασίας ή προστασία αυτιών που χρησιμοποιείται για τις κατάλληλες συνθήκες θα μειώσει τους τραυματισμούς.
- Αποτρέψτε ακούσια εκκίνηση. Βεβαιωθείτε ότι ο διακόπτης είναι στη θέση "off" πριν συνδέσετε σε παροχή ρεύματος ή μπαταρία, σηκώσετε ή μεταφέρετε το εργαλείο. Η μεταφορά ηλεκτρικών εργαλείων με το δάχτυλο στο διακόπτη ή η ενεργοποίηση ηλεκτρικών εργαλείων με αναμμένο τον διακόπτη μπορεί να προκαλέσει ατυχήματα.
- Αφαιρέστε κλειδιά ρύθμισης ή τανάλιες προτού ενεργοποιήσετε το ηλεκτρικό εργαλείο. Μια τανάλια ή ένα κλειδί που έχει αφηθεί προσαρτημένο στο περιστρεφόμενο μέρος του ηλεκτρικού εργαλείου μπορεί να προκαλέσει σοβαρό τραυματισμό.

- Μην τεντώνετε το σώμα σας. Κρατήστε σωστό πάτημα και ισορροπία ανά πάσα στιγμή. (Εικ. 2). Αυτό επιτρέπει τον καλύτερο έλεγχο του ηλεκτρικού εργαλείου σε απρόσμενες καταστάσεις.



- Ντυθείτε κατάλληλα. Μην φοράτε χαλαρά ρούχα ή κοσμήματα. Κρατήστε τα μαλλιά, τα ρούχα και τα γάντια σας μακριά από τα κινούμενα μέρη. Χαλαρά ρούχα, κοσμήματα ή μακριά μαλλιά μπορούν να πιαστούν στα κινούμενα μέρη.
- Εάν παρέχονται συσκευές για τη σύνδεση των εγκαταστάσεων εξαγωγής και περισυλλογής σκόνης, βεβαιωθείτε ότι αυτές είναι σωστά συνδεδεμένες και χρησιμοποιούνται όπως προβλέπεται. Η χρήση συσκευής περισυλλογής σκόνης μπορεί να μειώσει τους κινδύνους που σχετίζονται με τη σκόνη.
- Για την παρατεταμένη χρήση ηλεκτρικών εργαλείων έχει αναφερθεί η πρόκληση αγγειακών, μυϊκών και νευρολογικών παθήσεων (όπως το σύνδρομο μουδιασμένου δαχτύλου λόγω δόνησης ή αλλιώς Raynaud's). Για τη μείωση του κινδύνου τραυματισμού, ακολουθήστε αυτές τις οδηγίες:
 - Φοράτε γάντια και κρατήστε τα χέρια και το σώμα ζεστά.
 - Κρατήστε σταθερά το ψαλίδι μπορντούρας θάμνων, αλλά μην ασκείτε παρατεταμένη υπερβολική πίεση.
 - Κάνετε συχνά διαλείμματα.

Η δόνηση κατά τη διάρκεια κανονικής χρήσης μπορεί να διαφέρει από τις αναφερθείσες ποσότητες ανάλογα με το υλικό το οποίο κόβεται, τη συντήρηση του κοπτικού συστήματος και άλλους παράγοντες.

ΧΡΗΣΗ ΚΑΙ ΣΥΝΤΗΡΗΣΗ ΗΛΕΚΤΡΙΚΩΝ ΕΡΓΑΛΕΙΩΝ

- Μην ασκείτε δύναμη στο ηλεκτρικό εργαλείο. Χρησιμοποιήστε το κατάλληλο ηλεκτρικό εργαλείο για την περίπτωση σας. Το σωστό ηλεκτρικό εργαλείο θα κάνει τη δουλειά καλύτερα και ασφαλέστερα με τον ρυθμό για τον οποίο σχεδιάστηκε.
- Μην χρησιμοποιείτε το ηλεκτρικό εργαλείο εάν ο διακόπτης δεν το ενεργοποιεί και απενεργοποιεί. Οποιοδήποτε ηλεκτρικό εργαλείο δεν μπορεί να ελεγχθεί με τον διακόπτη είναι επικίνδυνο και χρήζει επισκευής.
- Αποσυνδέστε το βύσμα από την παροχή ρεύματος και/ή την μπαταρία από το ηλεκτρικό εργαλείο πριν κάνετε οποιοδήποτε ρυθμίσεις, αλλαγή εξαρτημάτων ή αποθήκευση των ηλεκτρικών εργαλείων. Τέτοια προληπτικά μέτρα ασφαλείας μειώνουν τον κίνδυνο ακούσιας ενεργοποίησης του ηλεκτρικού εργαλείου.



- Αποθηκεύστε μη χρησιμοποιούμενα ηλεκτρικά εργαλεία μακριά από παιδιά και μην επιτρέπετε σε άτομα μη εξοικειωμένα με το ηλεκτρικό εργαλείο ή με αυτές τις οδηγίες να το χρησιμοποιούν. Τα ηλεκτρικά εργαλεία είναι επικίνδυνα στα χέρια μη εκπαιδευμένων χρηστών.
- Συντηρείτε τα ηλεκτρικά εργαλεία. Ελέγξτε για απουσία ευθυγράμμισης ή σύνδεσης των κινούμενων μερών, για σπασμένα μέρη και για οποιαδήποτε άλλη κατάσταση που μπορεί να επηρεάσει τη λειτουργία του ηλεκτρικού εργαλείου. Εάν είναι φθαρμένο, το ηλεκτρικό εργαλείο πρέπει να επισκευαστεί πριν από τη χρήση. Πολλά ατυχήματα συμβαίνουν εξαιτίας κακοσυντηρημένων ηλεκτρικών εργαλείων.
- Διατηρήστε τα εργαλεία κοπής κοφτερά και καθαρά. Σωστά συντηρημένα εργαλεία κοπής με κοφτερές άκρες κοπής είναι πιο δύσκολο να μπλεχθούν και ευκολότερα να ελεγχθούν.
- Χρησιμοποιήστε το ηλεκτρικό εργαλείο, τα εξαρτήματά του και τα κομμάτια των εργαλείων κ.λπ. σύμφωνα με αυτές τις οδηγίες, λαμβάνοντας υπόψη τις εργασιακές συνθήκες και την εργασία που πρέπει να εκπονηθεί. Η χρήση του ηλεκτρικού εργαλείου για περιπτώσεις διαφορετικές από αυτές που προορίζεται μπορεί να προκαλέσει επικίνδυνες καταστάσεις.

ΧΡΗΣΗ ΚΑΙ ΦΡΟΝΤΙΔΑ ΕΡΓΑΛΕΙΩΝ ΜΠΑΤΑΡΙΑΣ

- Επαναφορτίζετε μόνο με τον φορτιστή που συστήνει ο κατασκευαστής. Ένας φορτιστής που είναι κατάλληλος για έναν τύπο μπαταρίας μπορεί να προκαλέσει πυρκαγιά όταν χρησιμοποιείται με άλλη μπαταρία.
- Χρησιμοποιήστε τα ηλεκτρικά εργαλεία με ειδικά ενδεδειγμένες μπαταρίες. Η χρήση άλλων μπαταριών μπορεί να προκαλέσει τραυματισμό και πυρκαγιά.
- Όταν η μπαταρία δεν χρησιμοποιείται, κρατήστε την μακριά από μεταλλικά αντικείμενα, όπως συνδετήρες, νομίσματα, καρφιά, βίδες και άλλα μικρά μεταλλικά αντικείμενα που μπορούν να συνδέσουν τους δύο πόλους. Η σύνδεση των δύο πόλων μεταξύ τους μπορεί να προκαλέσει εγκαύματα ή πυρκαγιά.
- Κάτω από συνθήκες κακομεταχείρισης, μπορεί να εκλυθεί υγρό από την μπαταρία· αποφύγετε την επαφή. Εάν τυχόν γίνει επαφή, ξεπλύνετε με νερό. Εάν το υγρό έρθει σε επαφή με τα μάτια, αναζητήστε ιατρική βοήθεια. Το υγρό που εκλύεται από την μπαταρία μπορεί να προκαλέσει ερεθισμούς ή εγκαύματα.

ΕΠΙΣΚΕΥΗ

Η επισκευή του ηλεκτρικού εργαλείου θα πρέπει να γίνεται από ειδικευμένο επισκευαστή χρησιμοποιώντας μόνο πανομοίωτα ανταλλακτικά. Αυτό θα διασφαλίσει ότι διατηρείται η ασφάλεια του ηλεκτρικού εργαλείου.

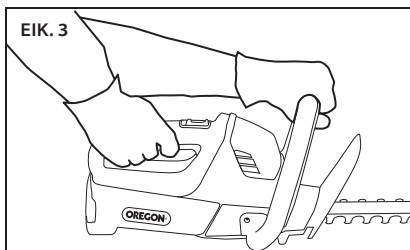
ΠΡΟΕΙΔΟΠΟΙΗΣΕΙΣ ΑΣΦΑΛΕΙΑΣ ΓΙΑ ΨΑΛΙΔΙ ΜΠΟΡΝΤΟΥΡΑΣ ΘΑΜΝΩΝ



**⚠ ΚΙΝΔΥΝΟΣ: ΚΡΑΤΗΣΤΕ ΤΑ ΧΕΡΙΑ ΣΑΣ
ΜΑΚΡΙΑ ΑΠΟ ΤΗ ΛΕΠΙΔΑ. ΕΠΑΦΗ ΜΕ ΤΗ
ΛΕΠΙΔΑ ΘΑ ΠΡΟΚΑΛΕΣΕΙ ΣΟΒΑΡΟ ΤΡΑΥΜΑΤΙΣΜΟ.**

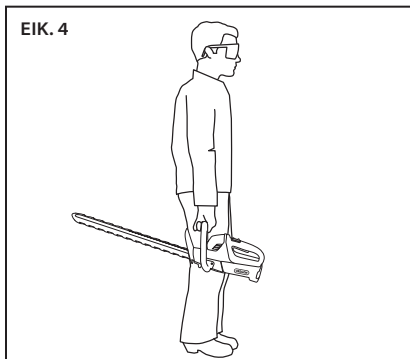
⚠ ΠΡΟΕΙΔΟΠΟΙΗΣΗ: ΧΡΗΣΙΜΟΠΟΙΗΣΤΕ ΤΟ ΜΗΧΑΝΗΜΑ, ΜΟΝΟ ΟΤΑΝ ΤΟ ΧΕΡΟΥΛΙ ΚΑΙ Ο ΧΕΙΡΟΦΥΛΑΚΤΗΡΑΣ ΕΙΝΑΙ ΣΩΣΤΑ ΕΓΚΑΤΕΣΤΗΜΕΝΑ ΣΤΟ ΨΑΛΙΔΙ ΜΠΟΡΝΤΟΥΡΑΣ ΘΑΜΝΩΝ. Η ΧΡΗΣΗ ΤΟΥ ΨΑΛΙΔΙΟΥ ΜΠΟΡΝΤΟΥΡΑΣ ΘΑΜΝΩΝ ΧΩΡΙΣ ΤΟΝ ΣΩΣΤΟ, ΠΑΡΕΧΟΜΕΝΟ, ΧΕΙΡΟΦΥΛΑΚΤΗΡΑ, Η ΛΑΒΗ ΜΠΟΡΕΙ ΝΑ ΠΡΟΚΑΛΕΣΕΙ ΣΟΒΑΡΟ ΤΡΑΥΜΑΤΙΣΜΟ.

- Χρησιμοποιήστε και τα δύο χέρια όταν λειτουργείτε το ψαλίδι μπορντούρας θάμνων. Η χρήση μόνο με το ένα χέρι ενδέχεται να προκαλέσει απώλεια ελέγχου και σοβαρό τραυματισμό (Εικ. 3).



- Κρατήστε όλα τα μέρη του σώματος μακριά από τη λεπίδα κοπής. Μην αφαιρείτε το υλικό που έχει κοπεί ή μην κρατάτε το υλικό που πρόκειται να κοπεί όταν οι λεπίδες είναι σε κίνηση. Βεβαιωθείτε ότι ο διακόπτης είναι κλειστός όταν καθαρίζετε υλικό που έχει κολλήσει. Οι λεπίδες κινούνται μετά την απενεργοποίηση. Μια στιγμή απροσεξίας κατά τη λειτουργία του ψαλιδιού μπορντούρας θάμνων μπορεί να προκαλέσει σοβαρό τραυματισμό.

- Μεταφέρετε το ψαλίδι μπορντούρας θάμνων από τη λαβή με τη λεπίδα κοπής σταματημένη (Εικ. 4). Κατά τη μετακίνηση ή αποθήκευση του ψαλιδιού μπορντούρας θάμνων, να τοποθετείτε πάντα το κάλυμμα της συσκευής κοπής. Ο κατάλληλος χειρισμός του ψαλιδιού μπορντούρας θάμνων θα μειώσει την πιθανότητα τραυματισμού από τις λεπίδες κοπής.



- Κρατήστε το ηλεκτρικό εργαλείο από τις μονωμένες επιφάνειες λαβής, επειδή η λεπίδα κοπής μπορεί να έρθει σε επαφή με κρυμμένη καλωδίωση ή το δικό της καλώδιο. Οι λεπίδες κοπής κατά την επαφή με ενεργό καλώδιο μπορεί να κάνουν τα εκτεθειμένα μεταλλικά μέρη του ηλεκτρικού εργαλείου να ηλεκτριστούν και να προκαλέσουν ηλεκτροπληξία στον χειριστή.
- Το ψαλίδι μπορντούρας θάμνων δεν διαθέτει μέρη επισκευάσιμα από τον χρήστη. Η αντικατάσταση της λεπίδας, η επισκευή και η συντήρηση απαιτούν ειδική εκπαίδευση. Δείτε την ενότητα «Πληροφορίες επισκευής και υποστήριξης» για πληροφορίες επικοινωνίας.

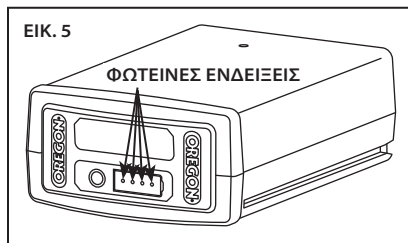
ΑΠΟΘΗΚΕΥΣΗ, ΜΕΤΑΦΟΡΑ ΚΑΙ ΑΠΟΡΡΙΨΗ

ΑΠΟΘΗΚΕΥΣΗ ΤΟΥ ΨΑΛΙΔΙΟΥ ΜΠΟΡΝΤΟΥΡΑΣ ΘΑΜΝΩΝ

- Εφαρμόστε λιπαντικό στις λεπίδες κοπής. Δείτε την ενότητα «Συντήρηση και Καθαρισμός» για περισσότερες πληροφορίες.
- Αφαιρέστε την μπαταρία από το ψαλίδι μπορντούρας θάμνων.
- Καθαρίστε εκτενώς το ψαλίδι μπορντούρας θάμνων.
- Τοποθετήστε το κάλυμμα της λεπίδας.
- Αποθηκεύστε σε ξηρό μέρος.
- Κρατήστε το μακριά από παιδιά και κατοικίδια.

ΑΠΟΘΗΚΕΥΣΗ ΤΗΣ ΜΠΑΤΑΡΙΑΣ

- Όταν αποθηκεύετε την μπαταρία για περισσότερο από εννέα μήνες, ακολουθήστε αυτές τις οδηγίες:
- Αφαιρέστε την μπαταρία από το ψαλίδι μπορντούρας θάμνων ή τον φορτιστή.
- Αποθηκεύστε τη σε δροσερό, ξηρό μέρος.
- Κρατήστε το μακριά από παιδιά και κατοικίδια.
- Για την παράταση του κύκλου ζωής της μπαταρίας, μην αποθηκεύετε ποτέ τις μπαταρίες σε κατάσταση πλήρους αποφόρτισης. (Εικ. 5).



- Αποθηκεύστε σε θερμοκρασίες μεταξύ -20°C και 30°C (-4°F έως 86°F).



ΑΠΟΘΗΚΕΥΣΗ ΤΟΥ ΦΟΡΤΙΣΤΗ

- Αφαιρέστε την μπαταρία από τον φορτιστή.
- Αποσυνδέστε τον φορτιστή από την παροχή ρεύματος.
- Αποθηκεύστε σε ξηρό μέρος.
- Κρατήστε το μακριά από παιδιά και κατοικίδια.

Δείτε την ενότητα «Συντήρηση και Καθαρισμός» για περισσότερες πληροφορίες.

ΜΕΤΑΦΟΡΑ ΤΟΥ ΨΑΛΙΔΙΟΥ ΜΠΟΡΝΤΟΥΡΑΣ ΘΑΜΝΩΝ.

Προετοιμάστε το ψαλίδι μπορντούρας θάμνων όπως περιγράφεται στην παράγραφο «Αποθήκευση του ψαλιδιού μπορντούρας θάμνων» πριν από τη μεταφορά.

ΜΕΤΑΦΟΡΑ ΤΗΣ ΜΠΑΤΑΡΙΑΣ

Ακολουθήστε τους εκάστοτε εθνικούς κανονισμούς κατά τη μεταφορά μπαταριών ιόντων λιθίου, ίσως απαιτείται η υποχρεωτική σήμανσή τους.

ΑΠΟΡΡΙΨΗ ΤΟΥ ΨΑΛΙΔΙΟΥ ΜΠΟΡΝΤΟΥΡΑΣ ΚΑΙ ΤΟΥ ΦΟΡΤΙΣΤΗ

Το προϊόν OREGON® είναι σχεδιασμένο και κατασκευασμένο με υλικά υψηλής ποιότητας και εξαρτήματα τα οποία μπορούν να ανακυκλωθούν και να επαναχρησιμοποιηθούν. Κατά το τέλος του κύκλου ζωής του προϊόντος, και σύμφωνα με την Οδηγία 2002/95/EK, η ηλεκτρική συσκευή θα πρέπει να απορρίπτεται ξεχωριστά από τα οικιακά απορρίμματα. Στην Ευρωπαϊκή Ένωση υπάρχουν ξεχωριστά συστήματα περισυλλογής για ηλεκτρικά και ηλεκτρονικά προϊόντα. Απορρίψτε αυτόν τον εξοπλισμό με περιβαλλοντικά ορθό τρόπο σε κέντρο ανακύκλωσης/συγκομιδής σκουπιδιών της τοπικής σας κοινότητας.

ΑΠΟΡΡΙΨΗ ΜΠΑΤΑΡΙΑΣ

Μην απορρίπτετε την μπαταρία μαζί με τα συνηθισμένα οικιακά απορρίμματα. Μην αποτεφρώνετε την μπαταρία. Οι τοπικές υπηρεσίες διαχείρισης και ανακύκλωσης απορριμμάτων διαθέτουν πληροφορίες για τη σωστή απόρριψη ή ανακύκλωση σύμφωνα με τις περιβαλλοντικές ρυθμίσεις.



ΑΣΦΑΛΕΙΑ ΜΠΑΤΑΡΙΑΣ

⚠ ΚΙΝΔΥΝΟΣ: ΜΗ ΤΗΡΗΣΗ ΑΥΤΩΝ ΤΩΝ ΚΑΝΟΝΩΝ ΑΣΦΑΛΕΙΑΣ ΜΠΟΡΕΙ ΝΑ ΠΡΟΚΑΛΕΣΕΙ ΔΙΑΡΡΟΗ ΕΠΙΚΙΝΔΥΝΩΝ ΧΗΜΙΚΩΝ ΑΠΟ ΤΗΝ ΜΠΑΤΑΡΙΑ, ΥΠΕΡΘΕΡΜΑΝΣΗ, ΠΡΟΚΛΗΣΗ ΚΑΠΝΟΥ, ΣΚΑΣΙΜΟ, ΞΕΣΠΑΣΜΑ, ΕΚΡΗΞΗ ΚΑΙ/Η ΑΝΑΦΛΕΞΗ.

⚠ ΠΡΟΣΟΧΗ: ΜΗΝ ΑΠΟΡΡΙΠΤΕΤΕ ΤΗΝ ΜΠΑΤΑΡΙΑ ΣΕ ΟΙΚΙΑΚΑ ΑΠΟΡΡΙΜΜΑΤΑ Η ΦΩΤΙΑ. ΟΙ ΜΠΑΤΑΡΙΕΣ ΙΟΝΤΩΝ ΛΙΘΙΟΥ ΜΠΟΡΟΥΝ ΝΑ ΑΝΑΚΥΚΛΩΘΟΥΝ ΑΠΟ ΤΟΠΙΚΟ ΕΞΟΥΣΙΟΔΟΤΗΜΕΝΟ ΥΠΕΥΘΥΝΟ ΑΝΑΚΥΚΛΩΣΗΣ.

⚠ ΠΡΟΣΟΧΗ: ΜΗΝ ΕΚΘΕΤΕΤΕ ΤΗΝ ΜΠΑΤΑΡΙΑ ΣΕ ΥΠΕΡΒΟΛΙΚΗ ΘΕΡΜΟΤΗΤΑ, ΟΠΩΣ ΤΟ ΕΣΩΤΕΡΙΚΟ ΕΝΟΣ ΑΥΤΟΚΙΝΗΤΟΥ ΣΕ ΖΕΣΤΟ ΚΑΙΡΟ. ΤΕΤΟΙΟΥ ΕΙΔΟΥΣ ΕΚΘΕΣΗ ΜΠΟΡΕΙ ΝΑ ΠΡΟΚΑΛΕΣΕΙ ΤΗ ΜΕΙΩΣΗ ΤΗΣ ΑΠΟΔΟΣΗΣ ΚΑΙ/Η ΤΟΥ ΚΥΚΛΟΥ ΖΩΗΣ. ΜΗΝ ΠΡΟΣΠΑΘΕΙΤΕ ΝΑ ΕΠΑΝΑΦΟΡΤΙΣΤΕ ΜΗ ΕΠΑΝΑΦΟΡΤΙΖΟΜΕΝΗ ΜΠΑΤΑΡΙΑ.

- Μην αποσυναρμολογείτε ή τροποποιείτε την μπαταρία. Αυτό μπορεί να φθείρει τα χαρακτηριστικά ασφαλείας.
- Μην συνδέετε τους θετικούς (+) και αρνητικούς πόλους (-) με μεταλλικά αντικείμενα και μην αποθηκεύετε την μπαταρία με μεταλλικά αντικείμενα όπως νομίσματα ή βίδες. Αυτό μπορεί να προκαλέσει βραχυκύκλωμα και να δημιουργήσει αρκετή θερμότητα ώστε να προκαλέσει εγκαύματα.
- Μην αποτεφρώνετε την μπαταρία και μην την εκθέτετε σε υπερβολική θερμότητα. Αυτό μπορεί να λιώσει τη μόνωση ή να φθείρει τα χαρακτηριστικά ασφαλείας.

- Μην χρησιμοποιείτε, φορτίζετε, ή αποθηκεύετε κοντά σε εστίες θερμότητας ανώτερης των 80°C (176°F). Αυτό μπορεί να προκαλέσει υπερθέρμανση και εσωτερικό βραχυκύκλωμα.
- Μην εκθέτετε σε υπερβολικά υγρές συνθήκες. Αυτό μπορεί να φθείρει τα χαρακτηριστικά ασφαλείας, να προκαλέσει φόρτιση υπερβολικής τάσης και ρεύματος και να οδηγήσει σε αφύσικες χημικές αντιδράσεις.
- Χρησιμοποιήστε μόνο τον ειδικά σχεδιασμένο για την μπαταρία αυτή φορτιστή και ακολουθήστε τις οδηγίες ασφαλείας που περιγράφονται στην ενότητα «Ασφάλεια φορτιστή». Η χρήση άλλου φορτιστή μπορεί να φθείρει τα χαρακτηριστικά ασφαλείας, να προκαλέσει υπερβολικά υψηλή τάση και ρεύμα φόρτισης και να οδηγήσει σε αφύσικες χημικές αντιδράσεις.
- Μην χρησιμοποιείτε μπαταρίες μάρκας OREGON® σε εργαλεία που δεν είναι κατασκευασμένα από την OREGON®.
- Μην χτυπάτε, τρυπάτε ή πετάτε την μπαταρία και μην χρησιμοποιείτε φθαρμένη ή παραμορφωμένη μπαταρία.
- Εάν η επαναφόρτιση αποτύχει, μην προσπαθήσετε να επαναφορτίσετε. Εάν η μπαταρία αρχίσει να εκλύει οσμή, θερμότητα ή έχει αποχρωματιστεί, παραμορφωθεί ή φανεί αφύσικη με οποιοδήποτε τρόπο κατά τη χρήση, φόρτιση ή αποθήκευση, αφαιρέστε την άμεσα από το φαλίδι μπορντούρας θάμνων ή τον φορτιστή.
- Οποιοδήποτε υγρό διαρρέει από την μπαταρία είναι διαβρωτικό, μπορεί να προκαλέσει ζημιά σε μάτια και δέρμα και να είναι τοξικό σε περίπτωση κατάποσης.

ΑΣΦΑΛΕΙΑ ΦΟΡΤΙΣΤΗ

ΣΗΜΑΝΤΙΚΕΣ ΟΔΗΓΙΕΣ ΑΣΦΑΛΕΙΑΣ

⚠ ΠΡΟΣΟΧΗ: ΑΥΤΗ Η ΣΥΣΚΕΥΗ ΔΕΝ ΠΡΟΟΡΙΖΕΤΑΙ ΓΙΑ ΧΡΗΣΗ ΑΠΟ ΑΤΟΜΑ (ΣΥΜΠΕΡΙΛΑΜΒΑΝΟΜΕΝΩΝ ΤΩΝ ΠΑΙΔΙΩΝ) ΜΕ ΜΕΙΩΜΕΝΗ ΦΥΣΙΚΗ, ΑΙΣΘΗΤΙΚΗ Η ΝΟΗΤΙΚΗ ΙΚΑΝΟΤΗΤΑ, Η ΕΛΛΕΙΨΗ ΓΝΩΣΕΩΝ, ΕΚΤΟΣ ΚΑΙ ΕΑΝ ΕΠΙΒΛΕΠΟΝΤΑΙ Η ΕΧΟΥΝ ΛΑΒΕΙ ΟΔΗΓΙΕΣ ΑΠΟ ΕΝΑ ΑΤΟΜΟ ΥΠΕΥΘΥΝΟ ΓΙΑ ΤΗΝ ΑΣΦΑΛΕΙΑ ΤΟΥΣ. ΤΑ ΠΑΙΔΙΑ ΘΑ ΠΡΕΠΕΙ ΝΑ ΕΠΙΒΛΕΠΟΝΤΑΙ ΩΣΤΕ ΝΑ ΔΙΑΣΦΑΛΙΣΤΕΙ ΟΤΙ ΔΕΝ ΠΑΙΖΟΥΝ ΜΕ ΤΙΣ ΣΥΣΚΕΥΕΣ.

⚠ ΠΡΟΕΙΔΟΠΟΙΗΣΗ: ΚΙΝΔΥΝΟΣ ΗΛΕΚΤΡΟΠΛΗΞΙΑΣ. ΟΤΑΝ ΧΡΗΣΙΜΟΠΟΙΕΙΤΑΙ ΣΕ ΕΞΩΤΕΡΙΚΟ ΧΩΡΟ, ΕΓΚΑΤΑΣΤΗΣΤΕ ΤΟ ΜΟΝΟ ΣΕ ΠΑΝΤΟΣ ΚΑΙΡΟΥ ΚΑΛΥΜΜΕΝΗ ΚΑΙ GFCI ΠΡΟΣΤΑΤΕΥΜΕΝΗ ΥΠΟΔΟΧΗ ΚΑΤΗΓΟΡΙΑΣ Α ΜΕ ΤΗ ΜΟΝΑΔΑ ΠΑΡΟΧΗΣ ΡΕΥΜΑΤΟΣ ΝΑ ΕΙΝΑΙ ΣΥΝΔΕΔΕΜΕΝΗ ΣΤΗΝ ΥΠΟΔΟΧΗ. ΕΑΝ ΔΕΝ ΠΑΡΕΧΕΤΑΙ ΚΑΤΙ ΤΕΤΟΙΟ, ΕΠΙΚΟΙΝΩΝΗΣΤΕ ΜΕ ΕΝΑΝ ΕΙΔΙΚΕΥΜΕΝΟ ΗΛΕΚΤΡΟΛΟΓΟ ΓΙΑ ΤΗ ΣΩΣΤΗ ΕΓΚΑΤΑΣΤΑΣΗ ΤΟΥ. ΒΕΒΑΙΩΘΕΙΤΕ ΟΤΙ Η ΜΟΝΑΔΑ ΠΑΡΟΧΗΣ ΡΕΥΜΑΤΟΣ ΚΑΙ ΤΟ ΚΑΛΩΔΙΟ ΔΕΝ ΕΜΠΟΔΙΖΟΥΝ ΤΟ ΚΛΕΙΣΙΜΟ ΤΟΥ ΚΑΛΥΜΜΑΤΟΣ ΤΗΣ ΥΠΟΔΟΧΗΣ.

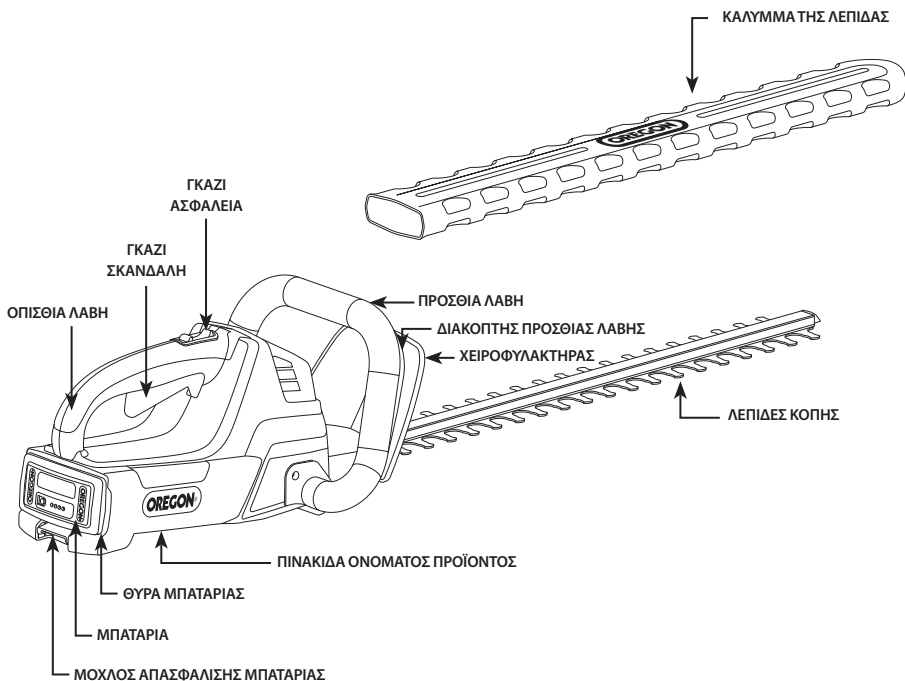
⚠ ΠΡΟΣΟΧΗ: ΧΡΗΣΙΜΟΠΟΙΗΣΤΕ ΑΥΤΟΝ ΤΟΝ ΦΟΡΤΙΣΤΗ ΜΟΝΟ ΜΕ ΤΟ ΠΑΡΕΧΟΜΕΝΟ ΚΑΛΩΔΙΟ ΡΕΥΜΑΤΟΣ, ΔΙΑΣΦΑΛΙΖΟΝΤΑΣ ΟΤΙ ΤΟ ΘΗΛΥΚΟ ΒΥΣΜΑ ΤΑΙΡΙΑΖΕΙ ΣΩΣΤΑ ΜΕ ΤΟ ΑΡΣΕΝΙΚΟ ΤΗΣ ΥΠΟΔΟΧΗΣ.

Όταν χρησιμοποιείτε ηλεκτρικά προϊόντα, πρέπει πάντα να παίρνετε βασικές προφυλάξεις συμπεριλαμβανομένων και των ακόλουθων:

- Διαβάστε και ακολουθήστε όλες τις οδηγίες ασφαλείας πριν από τη χρήση. Διαβάστε και ακολουθήστε όλες τις οδηγίες που αναγράφονται στο προϊόν ή παρέχονται με αυτό.
- Φυλάξτε αυτές τις οδηγίες.
- Μην χρησιμοποιείτε καλώδιο επέκτασης.
- Μην κακομεταχειρίζεστε το καλώδιο. Ποτέ μην χρησιμοποιείτε το καλώδιο για μεταφορά, έλξη ή αποσύνδεση του ηλεκτρικού εργαλείου. Κρατήστε το καλώδιο μακριά από θερμότητα, λάδι, αιχμηρές άκρες ή κινούμενα μέρη. Φθαρμένα ή μπλεγμένα καλώδια αυξάνουν τον κίνδυνο ηλεκτροπληξίας.
- Μην εκθέτετε τον φορτιστή στη βροχή. Για εσωτερική χρήση μόνο.
- Μην το χρησιμοποιείτε εντός 3 m (10 ft) από πισίνα.
- Μην το χρησιμοποιείτε μέσα στο μπάνιο.

ΑΝΑΓΝΩΡΙΣΗ ΠΡΟΪΟΝΤΟΣ

ΓΝΩΡΙΣΤΕ ΤΟ ΨΑΛΙΔΙ ΜΠΟΡΝΤΟΥΡΑΣ ΘΑΜΝΩΝ



ΣΗΜΕΙΩΣΗ: Δείτε την ενότητα «Αποσυσκευασία» για λίστα των περιλαμβανόμενων τεμαχίων.

ΠΡΟΔΙΑΓΡΑΦΕΣ ΚΑΙ ΕΞΑΡΤΗΜΑΤΑ

ΑΝΤΑΛΛΑΚΤΙΚΑ ΕΞΑΡΤΗΜΑΤΑ		ΑΡΙΘΜΟΣ ΑΝΤΑΛΛΑΚΤΙΚΟΥ
ΜΠΑΤΑΡΙΑ, ΜΟΝΤΕΛΟ B400E		548206
ΕΝΣΥΡΜΑΤΟΣ ΦΟΡΤΙΣΤΗΣ, ΜΟΝΤΕΛΟ C600		EU - 554933 UK - 554872 AU/NZ - 560663
ΕΝΣΥΡΜΑΤΟΣ ΦΟΡΤΙΣΤΗΣ, ΜΟΝΤΕΛΟ C750		EU - 558697 UK - 558698 AU/NZ - 558699
ΦΟΡΤΙΣΤΗΣ, ΜΟΝΤΕΛΟ C600		
ΕΙΣΟΔΟΣ	100-240V~ 50-60HZ 60W	
ΕΞΟΔΟΣ	41,5V _{DC} 1,25A	
ΚΑΛΩΔΙΟ ΡΕΥΜΑΤΟΣ	EU - 547383 UK - 547384 AU/NZ - 559380	
ΜΠΑΤΑΡΙΑ, ΜΟΝΤΕΛΟ B400E		
ΒΑΡΟΣ	1,23 kg (2,72 lb)	
ΤΥΠΟΣ	ΙΟΝΤΩΝ ΛΙΘΙΟΥ	
ΤΑΣΗ, ΟΝΟΜΑΣΤΙΚΗ	+37 VDC	
ΘΕΡΜΟΚΡΑΣΙΕΣ ΛΕΙΤΟΥΡΓΙΑΣ	0°C ΕΩΣ 40°C (32°F ΕΩΣ 104°F)	
ΙΣΧΥΣ, ΟΝΟΜΑΣΤΙΚΗ	2,4 Ah / 89 Wh	
ΧΡΟΝΟΣ ΦΟΡΤΙΣΗΣ (ΚΑΤΑ ΠΡΟΣΕΓΓ.)	120 ΛΕΠΤΑ	
ΨΑΛΙΔΙ ΜΠΟΡΝΤΟΥΡΑΣ ΘΑΜΝΩΝ		
ΜΗΚΟΣ ΛΕΠΙΔΑΣ	600 mm (24 in)	
ΕΙΔΟΣ ΛΕΠΙΔΑΣ	ΔΙΠΛΗΣ ΠΑΛΙΝΔΡΟΜΗΣΗΣ	
ΜΕΓΙΣΤΗ ΤΑΧΥΤΗΤΑ ΚΟΠΗΣ ΤΗΣ ΛΕΠΙΔΑΣ	2750 ΣΤΡΟΦΕΣ ΑΝΑ ΛΕΠΤΟ	
ΜΕΓΙΣΤΗ ΔΙΑΜΕΤΡΟΣ ΚΟΠΗΣ	Έως 19 mm (3/4 in)	
ΒΑΡΟΣ ΜΕ B400E	4,4 kg (9,8 lb)	
ΕΠΙΠΕΔΟ ΗΧΗΤΙΚΗΣ ΙΣΧΥΟΣ	74 dB L _{WA} (K, 0,18 dB)	
ΔΟΝΗΣΗ	1,16 m/s ² (K, 0,26 m/s ²)	

ΟΝΟΜΑΤΑ ΚΑΙ ΟΡΟΙ ΨΑΛΙΔΙΟΥ ΜΠΟΡΝΤΟΥΡΑΣ ΘΑΜΝΩΝ

Μπλοκάρισμα λεπίδων: Μια κατάσταση όπου οι λεπίδες κοπής δεν κινούνται εξαιτίας υλικού το οποίο κολλά μεταξύ των κινούμενων και των σταθερών μερών των λεπίδων κοπής.

Ζώνη ασφαλείας περαστικών: Ένας κύκλος 3 m (10 ft) γύρω από τον χειριστή, ο οποίος πρέπει να παραμένει ελεύθερος από περαστικούς, παιδιά και κατοικίδια.

Λεπίδες κοπής: Η σειρά από αιχμηρές επιφάνειες που προεξέχουν από το μπροστινό μέρος του ψαλιδιού μπορντούρας θάμνων και κινούνται εμπρός πίσω για την κοπή των θάμνων.

Εποχή κοπής: Ο ιδανικός χρόνος για το κλάδεμα των θάμνων ποικίλλει ανά είδος φυτού, ωστόσο είναι γενικά μια καλή πρακτική να κλαδεύετε κατά τη διάρκεια περιόδων αργής ανάπτυξης, αφού ολοκληρωθεί η ανθοφορία. Συμβουλευθείτε ένα τοπικό φυτώριο για συμβουλές σχετικά με το κλάδεμα συγκεκριμένων φυτών.

Ταχύτητα κοπής: Το ψαλίδι μπορντούρας θάμνων έχει μεταβλητή ταχύτητα κοπής. Πιέστε περισσότερο τη σκανδάλη του γκαζιού για υψηλότερη ταχύτητα κοπής. Για να επιτύχετε τον μέγιστο χρόνο κοπής με κάθε φόρτιση, χρησιμοποιήστε μόνο την ελάχιστη ταχύτητα κοπής που χρειάζεται για να κόψετε το υλικό.

Πρόσθια λαβή: Η λαβή υποστήριξης που βρίσκεται στο, ή προς το, μπροστινό μέρος του ψαλιδιού μπορντούρας θάμνων.

Διακόπτης πρόσθιας λαβής: Ένας διακόπτης σε σχήμα «u» που εκτείνεται κατά μήκος της πρόσθιας λαβής, ο οποίος αποτρέπει την ακούσια λειτουργία της σκανδάλης του γκαζιού έως ότου ενεργοποιηθεί χειροκίνητα.

Χειροφυλακτήρας: Μια κατασκευή που χωρίζει την πρόσθια λαβή ενός ψαλιδιού μπορντούρας από τις λεπίδες κοπής.

Νέα βλάστηση: Η πιο πρόσφατη βλάστηση ενός φυτού. Είναι γενικά πιο ανοιχτόχρωμη, λιγότερο ξυλώδης και πιο εύκαμπτη από το υπόλοιπο φυτό.

Οπίσθια λαβή: Η λαβή υποστήριξης, η οποία βρίσκεται στο, ή κοντά στο, πίσω μέρος του ψαλιδιού μπορντούρας θάμνων, όπου βρίσκεται η σκανδάλη γκαζιού.

Σκανδάλη γκαζιού: Συσκευή, η οποία ελέγχει την ταχύτητα των λεπίδων κοπής.

Ασφάλεια σκανδάλης: Κινούμενος διακόπτης, ο οποίος αποτρέπει την ακούσια ενεργοποίηση του ψαλιδιού μπορντούρας θάμνων έως ότου ενεργοποιηθεί χειροκίνητα.

ΛΕΙΤΟΥΡΓΙΑ ΤΟΥ ΨΑΛΙΔΙΟΥ ΜΠΟΡΝΤΟΥΡΑΣ ΘΑΜΝΩΝ

ΑΠΟΣΥΣΚΕΥΑΣΙΑ

ΤΙ ΠΕΡΙΧΕΙ ΤΟ ΚΟΥΤΙ;

Το ψαλίδι μπορντούρας θάμνων παρέχεται πλήρως συναρμολογημένο. Τα παρακάτω αντικείμενα αποστέλλονται μαζί με το ψαλίδι μπορντούρας θάμνων:

- Ψαλίδι μπορντούρας θάμνων
- Κάλυμμα της λεπίδας
- Εγχειρίδιο οδηγιών
- Φορτιστής και καλώδιο ρεύματος (εάν παρέχεται)
- Μπαταρία (εάν παρέχεται)

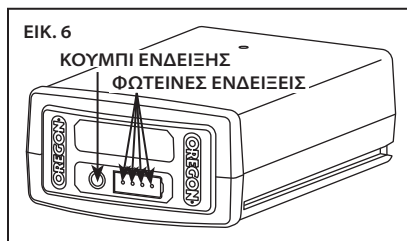
Αφού αφαιρέσετε το ψαλίδι μπορντούρας θάμνων από το κουτί, επιθεωρήστε το προσεκτικά για να βεβαιωθείτε ότι δεν υπέστη ζημιά κατά την αποστολή και ότι δεν λείπουν μέρη. Εάν οποιαδήποτε μέρη έχουν υποστεί ζημιά ή λείπουν, μην χρησιμοποιήσετε το ψαλίδι μπορντούρας θάμνων. Επικοινωνήστε με την OREGON® Cordless Tool System για να προμηθευτείτε ανταλλακτικά μέρη. Για συγκεκριμένους τηλεφωνικούς αριθμούς για κάθε χώρα, δείτε την ενότητα «Εξυπηρέτηση πελατών ανά χώρα».

ΜΠΑΤΑΡΙΑ ΚΑΙ ΦΟΡΤΙΣΤΗΣ

⚠ ΠΡΟΕΙΔΟΠΟΙΗΣΗ: ΜΗΝ ΦΟΡΤΙΖΕΤΕ ΤΗΝ ΜΠΑΤΑΡΙΑ ΣΤΗ ΒΡΟΧΗ.

ΦΩΤΕΙΝΗ ΕΝΔΕΙΞΗ LED ΕΠΙΠΕΔΟΥ ΦΟΡΤΙΣΗΣ ΤΗΣ ΜΠΑΤΑΡΙΑΣ

Η μπαταρία ιόντων λιθίου είναι εξοπλισμένη με μια ένδειξη LED επιπέδου φόρτισης. Για να ελέγξετε το επίπεδο φόρτισης της μπαταρίας, πατήστε το κουμπί της ένδειξης στην πρόσοψη της μπαταρίας. (Εικ. 6).



ΕΙΚ. 6

Καμία φωτεινή ένδειξη: φορτίστε

Ένα σταθερό πράσινο λαμπάκι:
λιγότερο από 25% φορτισμένη.
Φορτίστε την μπαταρία πριν από τη χρήση.

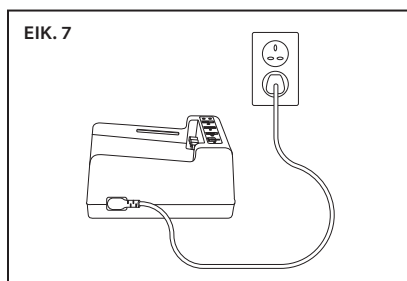
Δύο σταθερά πράσινα λαμπάκια:
Φορτισμένη 26–50%.

Τρία σταθερά πράσινα λαμπάκια:
Φορτισμένη 51–75%.

Τέσσερα σταθερά πράσινα λαμπάκια:
Φορτισμένη 76–100%.

ΣΥΝΔΕΣΗ ΤΟΥ ΦΟΡΤΙΣΤΗ

Συνδέστε το καλώδιο του φορτιστή στον φορτιστή και στην κατάλληλη πρίζα ρεύματος (Εικ. 7).



ΕΙΚ. 7

Χρησιμοποιήστε μόνο το σετ καλωδίων που παρέχεται με τον φορτιστή. Κατά την πρώτη χρήση, επιβεβαιώστε ότι ο τύπος του βύσματος ταιριάζει με την υποδοχή.

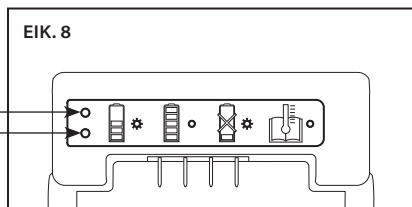
ΦΩΤΕΙΝΗ ΕΝΔΕΙΞΗ LED ΚΑΤΑΣΤΑΣΗΣ ΦΟΡΤΙΣΗΣ ΤΟΥ ΦΟΡΤΙΣΤΗ

Ο φορτιστής της μπαταρίας είναι εξοπλισμένος με φωτεινή ένδειξη LED κατάστασης φόρτισης, η οποία υποδεικνύει την κατάσταση της φόρτισης καθώς και τις συνθήκες που ενδέχεται να καθυστερήσουν ή να αποτρέψουν τη φόρτιση (Εικ. 8).

Σημείωση: Μέχρι να εισαχθεί η μπαταρία, δεν θα είναι ορατή καμία φωτεινή ένδειξη.

- Πορτοκαλί λαμπάκι που αναβοσβήνει: υφίσταται κατάσταση βλάβης. Υπάρχουν πολλές πιθανές αιτίες. Δείτε την ενότητα «Επίλυση προβλημάτων» σε αυτό το εγχειρίδιο.
- Σταθερό πορτοκαλί λαμπάκι: η θερμοκρασία της μπαταρίας ξεπερνά το αποδεκτό εύρος (0°C/32°F έως 40°C/104°F). Αφήστε την μπαταρία να φτάσει στο αποδεκτό εύρος θερμοκρασίας πριν από τη φόρτιση. Η μπαταρία μπορεί να μείνει στον φορτιστή μέχρι να ρυθμιστεί η θερμοκρασία. Η φόρτιση θα ξεκινήσει μόλις η μπαταρία φτάσει στη σωστή θερμοκρασία.

ΕΙΚ. 8



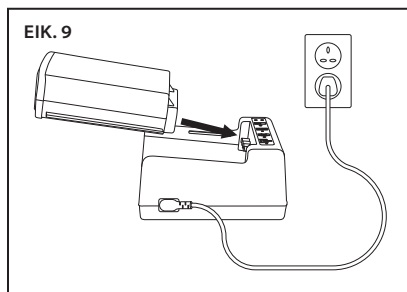
- Πράσινο λαμπάκι που αναβοσβήνει: η μπαταρία φορτίζει.
- Σταθερό πράσινο λαμπάκι: η μπαταρία είναι ΕΤΟΙΜΗ ΠΡΟΣ ΧΡΗΣΗ.

ΦΟΡΤΙΣΗ ΤΗΣ ΜΠΑΤΑΡΙΑΣ

⚠ ΠΡΟΕΙΔΟΠΟΙΗΣΗ: ΜΗ ΤΗΡΗΣΗ ΤΩΝ ΚΑΤΑΛΛΗΛΩΝ ΔΙΑΔΙΚΑΣΙΩΝ ΦΟΡΤΙΣΗΣ ΕΝΔΕΧΕΤΑΙ ΝΑ ΠΡΟΚΑΛΕΣΕΙ ΥΠΕΡΒΟΛΙΚΗ ΤΑΣΗ, ΥΠΕΡΒΟΛΙΚΗ ΡΟΗ ΡΕΥΜΑΤΟΣ, ΑΠΩΛΕΙΑ ΕΛΕΓΧΟΥ ΚΑΤΑ ΤΗ ΦΟΡΤΙΣΗ, ΔΙΑΡΡΟΗ ΕΠΙΚΙΝΔΥΝΩΝ ΧΗΜΙΚΩΝ ΟΥΣΙΩΝ, ΠΑΡΑΓΩΓΗ ΘΕΡΜΟΤΗΤΑΣ, ΕΚΡΗΞΗ Η ΦΩΤΙΑ.

Με το καλώδιο του φορτιστή συνδεδεμένο με τον φορτιστή και την πρίζα, ευθυγραμμίστε τις αυλακώσεις της μπαταρίας με τις ράγες του φορτιστή και σύρετε την μπαταρία στον φορτιστή έως ότου εφαρμόσει πλήρως (Εικ. 9).

ΕΙΚ. 9

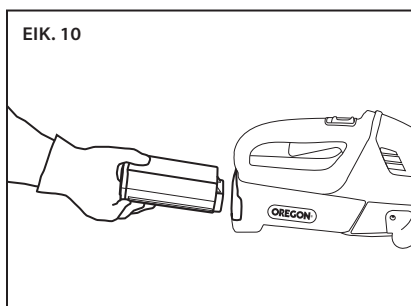


Ελέγξτε την ένδειξη κατάστασης φόρτισης για τις συνθήκες φόρτισης.

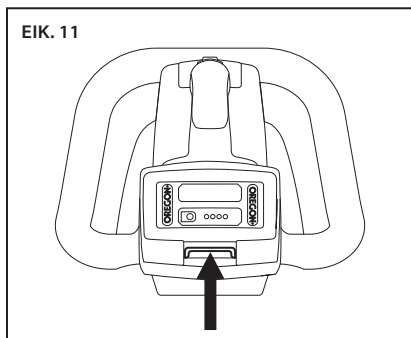
ΕΙΣΑΓΩΓΗ ΚΑΙ ΑΦΑΙΡΕΣΗ ΤΗΣ ΜΠΑΤΑΡΙΑΣ

Χρησιμοποιήστε μόνο τις μπαταρίες με το εμπορικό σήμα της OREGON®, οι οποίες καθορίζονται σε αυτές τις οδηγίες λειτουργίας.

Ευθυγραμμίστε την αυλάκωση στην μπαταρία με τις ράγες στο εσωτερικό της θύρας της μπαταρίας. Τοποθετήστε σταθερά την μπαταρία στη θύρα της μπαταρίας του ψαλιδιού μπορντούρας θάμνων, πιέζοντας προς τα εμπρός μέχρι να ασφαλίσει καθώς «κλειδώνει» στη θέση της (Εικ. 10).



Για να αφαιρέσετε την μπαταρία, σηκώστε το μοχλό απασφάλισης της μπαταρίας και αφαιρέστε την (Εικ. 11).



ΓΕΝΙΚΗ ΛΕΙΤΟΥΡΓΙΑ



⚠️ ΠΡΟΕΙΔΟΠΟΙΗΣΗ: ΝΑ ΦΟΡΑΤΕ ΠΑΝΤΑ ΚΑΤΑΛΛΗΛΑ ΓΑΝΤΙΑ ΚΑΙ ΠΡΟΣΤΑΤΕΥΤΙΚΑ ΜΑΤΙΩΝ.

ΘΕΡΜΟΚΡΑΣΙΑ ΛΕΙΤΟΥΡΓΙΑΣ

Αυτό το ψαλίδι μπορντούρας θάμνων είναι σχεδιασμένο να λειτουργεί σε εύρος θερμοκρασίας 0°C έως 40°C (32°F έως 104°F).

ΚΡΑΤΗΜΑ

Να κρατάτε πάντα το εργαλείο και με τα δύο χέρια. Για λειτουργία για δεξιόχειρες, τοποθετήστε το κλαδευτήρι θάμνων σε μια σταθερή, επίπεδη επιφάνεια, κρατήστε την μπροστινή λαβή με το αριστερό χέρι και την πίσω λαβή με το δεξί. Τυλίξτε τα δάχτυλά σας γύρω από το επάνω μέρος της μπροστινής λαβής με τον αντίχειρα από κάτω (Εικ. 12).



Για λειτουργία για αριστερόχειρες, κρατήστε την μπροστινή λαβή με το δεξί χέρι και την πίσω λαβή με το αριστερό (Εικ. 13).



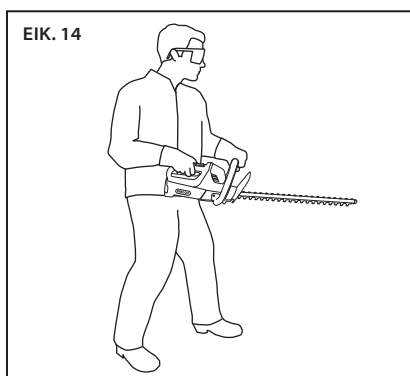
ΣΤΑΣΗ ΣΩΜΑΤΟΣ

Σταθείτε και με τα δύο πόδια σε σταθερό έδαφος, με το βάρος σας ομοιόμορφα καταναμημένο μεταξύ τους.

Μην τεντώνετε το σώμα σας και μην ανεβαίνετε σε σκάλα, σκαμνί ή οποιαδήποτε υπερυψωμένη θέση που δεν είναι πλήρως ασφαλισμένη.



Κρατήστε το ψαλίδι μπορντούρας θάμνων όσο το δυνατόν πιο κοντά στο σώμα σας για να διατηρήσετε τον έλεγχο (Εικ. 14).



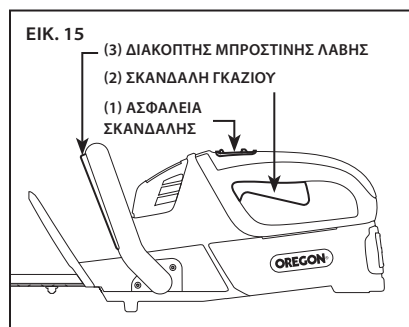
ΕΙΚ. 14

ΣΤΑΜΑΤΗΜΑ ΤΟΥ ΨΑΛΙΔΙΟΥ ΜΠΟΡΝΤΟΥΡΑΣ ΘΑΜΝΩΝ

Απελευθερώστε τη σκανδάλη γκαζιού για να σταματήσετε το ψαλίδι μπορντούρας θάμνων.

ΕΚΚΙΝΗΣΗ ΤΟΥ ΨΑΛΙΔΙΟΥ ΜΠΟΡΝΤΟΥΡΑΣ ΘΑΜΝΩΝ

Κρατήστε σφιχτά την πρόσθια και την οπίσθια λαβή. Τραβήξτε προς τα πίσω την ασφάλεια της σκανδάλης (1) με τον αντίχειρα (Εικ. 15). Πιέστε τη σκανδάλη γκαζιού (2) μέχρι οι λεπίδες κοπής να κινηθούν με την επιθυμητή ταχύτητα. Ο διακόπτης της μπροστινής λαβής (3) αποτελεί ένα χαρακτηριστικό ασφαλείας. Το ψαλίδι μπορντούρας θάμνων δεν θα ξεκινήσει εκτός εάν ενεργοποιηθεί.



ΕΙΚ. 15

ΕΛΕΓΧΟΣ ΤΗΣ ΤΑΧΥΤΗΤΑΣ ΤΩΝ ΛΕΠΙΔΩΝ ΚΟΠΗΣ

Η σκανδάλη γκαζιού ελέγχει την ταχύτητα με την οποία κινούνται οι λεπίδες κοπής. Πιέστε περισσότερο τη σκανδάλη του γκαζιού για μεγαλύτερη ταχύτητα κοπής.

Χρησιμοποιήστε τη χαμηλότερη απαιτούμενη πίεση για την κοπή του υλικού. Αυτό βοηθά να μεγιστοποιηθεί η ποσότητα χρόνου κοπής ανά φόρτιση μπαταρίας και μειώνει τον αριθμό των απαιτούμενων φορτίσεων.

ΚΟΠΗ ΘΑΜΝΩΝ

ΠΟΤΕ ΝΑ ΚΟΨΕΤΕ

Ο ιδανικός χρόνος για το κλάδεμα των θάμνων ποικίλλει ανά είδος φυτού, ωστόσο είναι γενικά μια καλή πρακτική να κλαδεύετε κατά τη διάρκεια περιόδων αργής ανάπτυξης, αφού ολοκληρωθεί η ανθοφορία. Συμβουλευθείτε ένα τοπικό φυτώριο για συμβουλές σχετικά με το κλάδεμα συγκεκριμένων φυτών.

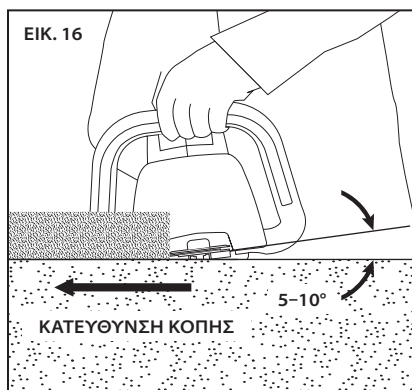
Τηρήστε όλους τους ισχύοντες εθνικούς και δημοτικούς κανόνες και κανονισμούς για την κοπή θάμνων.

ΒΑΣΙΚΗ ΚΟΠΗ

▲ ΠΡΟΕΙΔΟΠΟΙΗΣΗ: ΒΕΒΑΙΩΘΕΙΤΕ ΟΤΙ ΠΑΤΑΤΕ ΚΑΛΑ ΚΑΙ ΚΡΑΤΗΣΤΕ ΤΟ ΨΑΛΙΔΙ ΜΠΟΡΝΤΟΥΡΑΣ ΘΑΜΝΩΝ ΣΤΑΘΕΡΑ ΚΑΙ ΜΕ ΤΑ ΔΥΟ ΧΕΡΙΑ ΕΝΩ Ο ΚΙΝΗΤΗΡΑΣ ΒΡΙΣΚΕΤΑΙ ΣΕ ΛΕΙΤΟΥΡΓΙΑ.

Ελέγξτε τον θάμνο για ξένα αντικείμενα πριν από την κοπή ώστε να αποφευχθεί πρόκληση βλάβης των λεπίδων. Αφαιρέστε τυχόν αντικείμενα που μπορεί να εμποδίσουν την κοπή.

Λάβετε το κατάλληλο κράτημα και στάση σώματος και εκκινήστε το ψαλίδι μπορντούρας θάμνων. Κρατήστε το ψαλίδι μπορντούρας θάμνων με τις λεπίδες κοπής σε γωνία 5–10° προς την κατεύθυνση της κοπής (Εικ. 16).



ΣΗΜΑΝΤΙΚΟ: ΟΙ ΛΕΠΙΔΕΣ ΚΟΠΗΣ ΕΝΙΟΤΕ ΜΠΛΟΚΑΡΟΥΝ ΚΑΙ ΣΤΑΜΑΤΟΥΝ ΝΑ ΚΙΝΟΥΝΤΑΙ, ΟΤΑΝ ΚΟΛΛΑ ΥΛΙΚΟ ΑΝΑΜΕΣΑ ΣΤΙΣ ΛΕΠΙΔΕΣ ΚΟΠΗΣ, Η ΕΑΝ ΟΙ ΛΕΠΙΔΕΣ ΚΟΠΗΣ ΕΡΘΟΥΝ ΣΕ ΕΠΑΦΗ ΜΕ ΕΝΑ ΚΑΛΩΔΙΟ, Η ΦΡΑΧΤΗ ΑΠΟ ΣΥΡΜΑΤΟΠΛΕΓΜΑ. ΔΕΙΤΕ ΤΗΝ ΕΝΟΤΗΤΑ «ΕΠΙΔΙΟΡΘΩΣΗ ΤΗΣ ΔΕΣΜΕΥΣΗΣ ΛΕΠΙΔΩΝ» ΓΙΑ ΝΑ ΜΑΘΕΤΕ ΠΩΣ ΝΑ ΤΟ ΔΙΟΡΘΩΣΕΤΕ.

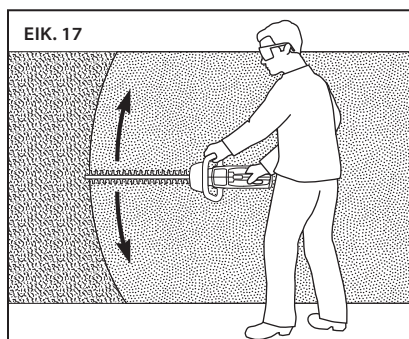
ΔΙΑΔΙΚΑΣΙΑ ΚΟΠΗΣ

Εάν ο θάμνος έχει κλαδευτεί και σχηματιστεί καλά, επικεντρωθείτε στην κοπή της νέας βλάστησης, μέχρι ο θάμνος να αποκτήσει το επιθυμητό σχήμα.

Μόλις απομακρυνθούν τυχόν μεγάλα κλαδιά, χρησιμοποιήστε το ψαλίδι μπορντούρας θάμνων για να κλαδέψετε τις άκρες του θάμνου στο επιθυμητό μήκος. Κλαδέψτε το επάνω μέρος του θάμνου στο τέλος, αφού ολοκληρώσετε τις πλευρές.

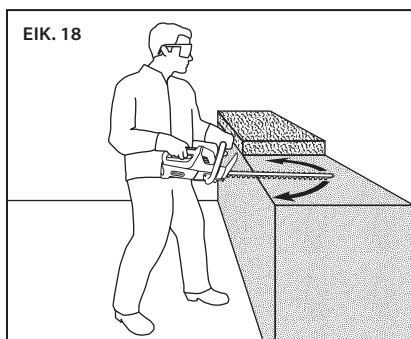
ΚΑΘΕΤΗ ΚΟΠΗ

Όταν κόβετε τις πλευρές του θάμνου, ξεκινήστε από το κάτω μέρος του θάμνου. Κρατήστε το ψαλίδι μπορντούρας θάμνων με τις λεπίδες κοπής σε γωνία 5–10° προς την κατεύθυνση της κοπής. Μετακινήθείτε κατά μήκος της πλευράς του θάμνου, μετακινώντας ομαλά το ψαλίδι μπορντούρας θάμνων προς τα επάνω και προς τα κάτω, σε ένα ευρύ τόξο (Εικ. 17).



ΟΡΙΖΟΝΤΙΑ ΚΟΠΗ

Όταν κόβετε την κορυφή του θάμνου, ξεκινήστε με την πιο κοντινή άκρη. Κρατήστε το ψαλίδι μπορντούρας θάμνων με τις λεπίδες κοπής σε γωνία 5–10° προς την κατεύθυνση της κοπής. Μετακινήθετε κατά μήκος του θάμνου, μετακινώντας ομαλά το ψαλίδι μπορντούρας θάμνων προς τα αριστερά και προς τα δεξιά σε ένα ευρύ τόξο (Εικ. 18).



Εάν η κορυφή του θάμνου είναι πολύ μεγάλη για να κοπεί με ένα πέρασμα του ψαλιδιού μπορντούρας θάμνων, μην σκύβετε πάνω από τον θάμνο για να κλαδέψετε το υπόλοιπο. Αντίθετα, κάντε ένα πέρασμα κατά μήκος της μιας πλευράς του θάμνου και στη συνέχεια κόψτε το υπόλοιπο από την άλλη πλευρά του θάμνου.

ΞΕΜΠΛΟΚΑΡΙΣΜΑ ΤΩΝ ΛΕΠΙΔΩΝ

⚠ ΠΡΟΣΟΧΗ: ΝΑ ΑΦΑΙΡΕΙΤΕ ΠΑΝΤΟΤΕ ΤΗΝ ΜΠΑΤΑΡΙΑ ΠΡΙΝ ΚΑΘΑΡΙΣΤΕ ΤΙΣ ΛΕΠΙΔΕΣ ΚΟΠΗΣ ΓΙΑ ΝΑ ΑΠΟΦΥΓΕΤΕ ΤΗΝ ΑΚΟΥΣΙΑ ΕΝΕΡΓΟΠΟΙΗΣΗ ΤΟΥΣ.

⚠ ΠΡΟΣΟΧΗ: ΟΙ ΛΕΠΙΔΕΣ ΚΟΠΗΣ ΕΙΝΑΙ ΑΙΧΜΗΡΕΣ. ΝΑ ΦΟΡΑΤΕ ΠΑΝΤΟΤΕ ΓΑΝΤΙΑ ΟΤΑΝ ΚΑΘΑΡΙΖΕΤΕ ΥΛΙΚΟ ΑΠΟ ΤΙΣ ΛΕΠΙΔΕΣ ΚΟΠΗΣ.

Ορισμένες φορές, κατά την κοπή εύκαμπτων, «πράσινων» κλαδιών, υπολείμματα κοπής ενδέχεται να κολλήσουν ανάμεσα στα κινούμενα μέρη των λεπίδων και το σταθερό μέρος. Όταν αυτό συμβεί, οι λεπίδες κοπής ενδέχεται να σταματήσουν ξαφνικά να κινούνται. Αυτό μπορεί επίσης να συμβεί εάν οι λεπίδες κοπής έρθουν σε επαφή με υλικό πολύ σκληρό για να κοπεί, όπως ένας φράχτης από συρματόπλεγμα. Αυτή η κατάσταση ονομάζεται μπλοκάρισμα των λεπίδων.

Ακολουθήστε αυτές τις οδηγίες για να απομακρύνετε με ασφάλεια και αποτελεσματικότητα το υλικό.

- Φορέστε γάντια.
- Αφαιρέστε την μπαταρία από το ψαλίδι μπορντούρας θάμνων. Δείτε «Αφαίρεση της μπαταρίας».
- Απομακρύνετε το υλικό που εμποδίζει τις λεπίδες κοπής να κινηθούν.

ΣΥΝΤΗΡΗΣΗ ΚΑΙ ΚΑΘΑΡΙΣΜΟΣ

ΨΑΛΙΔΙ ΜΠΟΡΝΤΟΥΡΑΣ ΘΑΜΝΩΝ

⚠ ΠΡΟΕΙΔΟΠΟΙΗΣΗ: ΕΠΙΘΕΩΡΗΣΤΕ ΤΟ ΨΑΛΙΔΙ ΜΠΟΡΝΤΟΥΡΑΣ ΘΑΜΝΩΝ. Η ΤΑΚΤΙΚΗ ΕΠΙΘΕΩΡΗΣΗ ΕΙΝΑΙ ΤΟ ΠΡΩΤΟ ΒΗΜΑ ΓΙΑ ΤΗ ΣΩΣΤΗ ΣΥΝΤΗΡΗΣΗ. ΑΚΟΛΟΥΘΗΣΤΕ ΤΙΣ ΠΑΡΑΚΑΤΩ ΟΔΗΓΙΕΣ ΓΙΑ ΝΑ ΜΕΓΙΣΤΟΠΟΙΗΣΤΕ ΤΗΝ ΑΣΦΑΛΕΙΑ ΚΑΙ ΤΗΝ ΙΚΑΝΟΠΟΙΗΣΗ. ΑΝΤΙΚΑΤΑΣΤΗΣΤΕ ΑΜΕΣΑ ΤΥΧΟΝ ΜΕΡΗ ΠΟΥ ΕΧΟΥΝ ΥΠΟΣΤΕΙ ΒΛΑΒΗ Η ΕΙΝΑΙ ΥΠΕΡΒΟΛΙΚΑ ΦΘΑΡΜΕΝΑ. ΑΠΟΤΥΧΙΑ ΝΑ ΕΝΤΟΠΙΣΤΕ ΚΑΙ ΝΑ ΑΝΤΙΚΑΤΑΣΤΗΣΤΕ ΜΕΡΗ ΠΟΥ ΕΧΟΥΝ ΥΠΟΣΤΕΙ ΒΛΑΒΗ Η ΕΧΟΥΝ ΦΘΑΡΕΙ ΕΝΔΕΧΕΤΑΙ ΝΑ ΠΡΟΚΑΛΕΣΕΙ ΣΟΒΑΡΟ ΤΡΑΥΜΑΤΙΣΜΟ.

⚠ ΠΡΟΕΙΔΟΠΟΙΗΣΗ: ΑΦΑΙΡΕΣΤΕ ΤΗΝ ΜΠΑΤΑΡΙΑ ΑΠΟ ΤΟ ΨΑΛΙΔΙ ΜΠΟΡΝΤΟΥΡΑΣ ΘΑΜΝΩΝ ΠΡΙΝ ΑΠΟ ΤΗΝ ΕΠΙΘΕΩΡΗΣΗ, ΤΟΝ ΚΑΘΑΡΙΣΜΟ Η ΤΗΝ ΕΚΤΕΛΕΣΗ ΣΥΝΤΗΡΗΣΗΣ. ΕΝΑ ΕΡΓΑΛΕΙΟ ΜΠΑΤΑΡΙΑΣ ΜΕ ΤΗΝ ΜΠΑΤΑΡΙΑ ΤΟΥ ΕΓΚΑΤΕΣΤΗΜΕΝΗ ΕΙΝΑΙ ΠΑΝΤΑ ΑΝΑΜΜΕΝΟ ΚΑΙ ΜΠΟΡΕΙ ΝΑ ΞΕΚΙΝΗΣΕΙ ΑΚΟΥΣΙΩΣ.

⚠ ΠΡΟΣΟΧΗ: ΚΑΤΑ ΤΟΝ ΚΑΘΑΡΙΣΜΟ ΤΟΥ ΨΑΛΙΔΙΟΥ ΜΠΟΡΝΤΟΥΡΑΣ ΘΑΜΝΩΝ, ΜΗΝ ΤΟ ΒΥΘΙΖΕΤΕ ΣΕ ΝΕΡΟ Η ΑΛΛΑ ΥΓΡΑ.

ΚΑΘΑΡΙΣΜΟΣ ΤΟΥ ΨΑΛΙΔΙΟΥ ΜΠΟΡΝΤΟΥΡΑΣ ΘΑΜΝΩΝ

- Σκουπίστε σκόνες, φύλλα και αποκόμματα από το ψαλίδι μπορντούρας θάμνων.
- Καθαρίστε τους αεραγωγούς για να διασφαλίσετε την κατάλληλη ροή αέρα και να αποτρέψετε την υπερθέρμανση.
- Σκουπίστε τον κινητήρα με ένα καθαρό πανί βρεγμένο σε ήπιο σαπούνι και νερό.
- Μην χρησιμοποιείτε ποτέ σκληρά καθαριστικά ή διαλύτες.

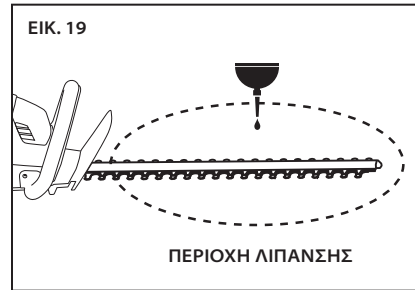
ΕΠΙΘΕΩΡΗΣΤΕ ΤΙΣ ΛΕΠΙΔΕΣ ΚΟΠΗΣ

Βεβαιωθείτε ότι οι λεπίδες κοπής είναι κοφτερές, δεν έχουν γρατζουνιές ή αμβλείες άκρες και μην κρεμάσετε, ή πιάσετε, το ψαλίδι μπορντούρας, ενώ λειτουργεί. Περιοδικά, απομακρύνετε γρατζουνιές ή αγριάδες από τις λεπίδες για να διασφαλίσετε ότι κινούνται ελεύθερα. Κοφτερές και ελεύθερα κινούμενες λεπίδες κόβουν πιο εύκολα από τις αμβλείες ή κολλώδεις.

ΦΡΟΝΤΙΔΑ ΛΕΠΙΔΩΝ

Όταν κόβετε θάμνους με πολλούς χυμούς, ή θάμνους που βρίσκονται σε περιβάλλον με σκόνη, η συσσώρευση χυμών και σκόνης μπορεί ενίοτε να κάνει τις λεπίδες να κολλήσουν. Για να αποτρέψετε αυτήν την κατάσταση κολλημάτος των λεπίδων, περάστε τις λεπίδες με ένα ελαφρύ στρώμα λιπαντικού υγρής σιλικόνης, μόνο στην περιοχή λίπανσης των λεπίδων κοπής (Εικ. 19) και δουλέψτε για λίγο τις λεπίδες, έτσι ώστε να γίνει ομοιόμορφη κατανομή του λιπαντικού.

ΣΗΜΑΝΤΙΚΟ: ΜΗΝ ΑΦΗΣΤΕ ΝΑ ΣΤΑΞΕΙ ΤΟ ΛΙΠΑΝΤΙΚΟ ΜΕΣΑ ΣΤΟ ΣΩΜΑ ΤΟΥ ΨΑΛΙΔΙΟΥ ΜΠΟΡΝΤΟΥΡΑΣ. ΜΗΝ ΧΡΗΣΙΜΟΠΟΙΕΙΤΕ ΠΟΤΕ ΔΙΑΛΥΤΕΣ ΓΡΑΣΟΥ Η ΠΡΟΪΟΝΤΑ ΑΕΡΟΛΥΜΑΤΟΣ ΓΙΑ ΜΕΤΑΤΟΠΙΣΗ ΝΕΡΟΥ. ΜΗΝ ΛΙΠΑΙΝΕΤΕ ΥΠΕΡΒΟΛΙΚΑ.



ΕΠΙΘΕΩΡΗΣΤΕ ΤΟ ΠΡΟΣΤΑΤΕΥΤΙΚΟ ΤΟΥ ΑΚΡΟΥ

Εάν υπάρχει εγκατεστημένο προστατευτικό άκρου, ελέγξτε για να βεβαιωθείτε ότι δεν έχει λυγίσει ή σπάσει. Ένα λυγισμένο προστατευτικό άκρου μπορεί να αποτρέψει την ελεύθερη κίνηση των λεπίδων κίνησης. Εάν το προστατευτικό άκρου έχει λυγίσει ή σπάσει, αντικαταστήστε το σε ένα εγκεκριμένο κατάστημα επισκευής.

ΤΟΠΟΘΕΤΗΣΤΕ ΤΟ ΚΑΛΥΜΜΑ ΤΗΣ ΛΕΠΙΔΑΣ

Τοποθετήστε το κάλυμμα της λεπίδας πάνω από τις λεπίδες κοπής για να τις κρατήσετε καθαρές και για να αποτρέψετε να τρυπήσουν ή να κόψουν ανθρώπους ή αντικείμενα.

ΕΠΙΘΕΩΡΗΣΤΕ ΤΙΣ ΛΑΒΕΣ

Βεβαιωθείτε ότι τόσο οι μπροστινές όσο και οι πίσω λαβές είναι καθαρές, στεγνές και δεν έχουν ρωγμές ή άλλη βλάβη. Ενδέχεται να προκληθεί σοβαρός τραυματισμός εάν μια λαβή με βλάβη σπάσει κατά τη χρήση.

ΕΠΙΘΕΩΡΗΣΤΕ ΤΗ ΘΥΡΑ ΤΗΣ ΜΠΑΤΑΡΙΑΣ

Βεβαιωθείτε ότι η θύρα της μπαταρίας είναι καθαρή, στεγνή και δεν έχει υπολείμματα. Υπολείμματα στη θύρα της μπαταρίας ενδέχεται να αποτρέψουν μια καλή ηλεκτρική σύνδεση μεταξύ της μπαταρίας και του ψαλιδιού μπορντούρας θάμνων.

ΜΠΑΤΑΡΙΑ

⚠️ ΠΡΟΕΙΔΟΠΟΙΗΣΗ: ΔΕΝ ΥΠΑΡΧΟΥΝ ΜΕΡΗ ΕΠΙΣΚΕΥΑΣΙΜΑ ΑΠΟ ΤΟΝ ΧΡΗΣΤΗ ΜΕΣΑ ΣΤΗ ΜΠΑΤΑΡΙΑ. ΜΗΝ ΑΠΟΣΥΝΑΡΜΟΛΟΓΕΙΤΕ.

Οι μπαταρίες ιόντων λιθίου έχουν προκαθορισμένη διάρκεια ζωής. Εάν η ποσότητα χρόνου κοπής ανά φόρτιση μειωθεί αισθητά, η μπαταρία βρίσκεται στο τέλος της ωφέλιμης διάρκειας ζωής της και θα πρέπει να αντικατασταθεί.

- Βεβαιωθείτε ότι η μπαταρία, συμπεριλαμβανομένων των σημείων επαφής, είναι καθαρή, στεγνή και δεν έχει ενδείξεις τρυπήματος, επαφής ή άλλης βλάβης. Χαλασμένες μπαταρίες ενδέχεται να προκαλέσουν φωτιά ή να αποβάλλουν επικίνδυνες χημικές ουσίες.
- Καθαρίστε τα βρόμικα σημεία επαφής με ένα μαλακό, στεγνό πανί. Βρομιά ή έλαιο μπορεί να προκαλέσει κακή ηλεκτρική σύνδεση, με αποτέλεσμα την απώλεια ισχύος.

ΦΟΡΤΙΣΤΗΣ

- Βγάλτε τον φορτιστή από την πρίζα.
- Καθαρίστε τα βρόμικα σημεία επαφής με ένα μαλακό, στεγνό πανί.

ΕΠΙΛΥΣΗ ΠΡΟΒΛΗΜΑΤΩΝ

Χρησιμοποιήστε αυτόν τον πίνακα για να δείτε πιθανές λύσεις για προβλήματα που μπορεί να προκύψουν με το ψαλίδι μπορντούρας θάμνων. Εάν αυτές οι προτάσεις δεν λύσουν το πρόβλημα, δείτε την ενότητα «Επισκευή και πληροφορίες υποστήριξης».

ΣΥΜΠΤΩΜΑ	ΠΙΘΑΝΗ ΑΙΤΙΑ	ΠΡΟΤΕΙΝΟΜΕΝΕΣ ΕΝΕΡΓΕΙΕΣ
Ο κινητήρας δεν λειτουργεί ή λειτουργεί κατά διαστήματα	Αποφορτισμένη μπαταρία	Φορτίστε ξανά. Δείτε την ενότητα «Φόρτιση της μπαταρίας».
	Ο διακόπτης της μπροστινής λαβής ή η ασφάλεια της σκανδάλης δεν είναι ενεργοποιημένα	Κρατήστε τον μπροστινό διακόπτη της λαβής και τραβήξτε προς τα πίσω την ασφάλεια της σκανδάλης πριν πιέσετε τη σκανδάλη του γκαζιού. Δείτε την ενότητα «Εκκίνηση του ψαλιδιού μπορντούρας θάμνων».
	Η μπαταρία δεν έχει τοποθετηθεί πλήρως	Πιέστε την μπαταρία μέσα στη θύρα της μπαταρίας μέχρι να ασφαλίσει στη θέση της.
	Τα σημεία επαφής της μπαταρίας είναι βρόμικα	Αφαιρέστε την μπαταρία, απομακρύνετε τα υπολείμματα από τη θύρα της μπαταρίας και στη συνέχεια καθαρίστε τα σημεία επαφής με ένα καθαρό, στεγνό πανί.
	Η μπαταρία είναι κρύα	Αφήστε την μπαταρία να ζεσταθεί στην ελάχιστη θερμοκρασία λειτουργίας των 0°C (32°F).
Ο κινητήρας λειτουργεί, αλλά οι λεπίδες κοπής δεν κινούνται	Κάποιο αντικείμενο αποτρέπει την κίνηση των λεπίδων κοπής	Δείτε την ενότητα «Ξεμπλοκάρισμα των λεπίδων».
Το ψαλίδι μπορντούρας θάμνων δεν κόβει σωστά	Συσσώρευση ρητίνης αποτρέπει την κίνηση των λεπίδων κοπής	Δείτε την ενότητα «Φροντίδα λεπίδων».
	Οι λεπίδες κοπής είναι αμβλείες	Ακονίστε επαγγελματικά τις λεπίδες κοπής.
Η μπαταρία δεν φορτίζει	Είναι ενεργοποιημένη η προστασία ανώτερης/κατώτερης θερμοκρασίας λειτουργίας της μπαταρίας	Αυτό μπορεί να συμβεί όταν το ψαλίδι μπορντούρας θάμνων λειτουργεί συνεχόμενα ή εκτίθεται σε υψηλές θερμοκρασίες περιβάλλοντος. Αφήστε την μπαταρία να φτάσει στο αποδεκτό εύρος θερμοκρασίας πριν από τη φόρτιση. Δείτε την ενότητα «Φόρτιση της μπαταρίας».
	Βρόμικα ή με βλάβη σημεία επαφής στην μπαταρία ή τον φορτιστή	Επιθεωρήστε τα σημεία επαφής τόσο στην μπαταρία όσο και στον φορτιστή. Καθαρίστε όπως περιγράφεται στην ενότητα «Συντήρηση και καθαρισμός» και στη συνέχεια τοποθετήστε και πάλι στον φορτιστή και βεβαιωθείτε ότι εφαρμόζει πλήρως.
	Η μπαταρία βρίσκεται στο τέλος της διάρκειας ζωής της	Όλες οι μπαταρίες έχουν περιορισμένη διάρκεια ζωής. Εάν η μπαταρία είναι περισσότερο από δύο ετών ή έχει φορτιστεί συχνά, ίσως είναι καιρός να την αντικαταστήσετε. Αντικαταστήστε μόνο με την μπαταρία που καθορίζεται για αυτό το ψαλίδι μπορντούρας θάμνων.
	Ελαττωματικός φορτιστής	Ελέγξτε τη λειτουργία σε ένα εγκεκριμένο κατάστημα επισκευής.

ΣΥΜΠΤΩΜΑ	ΠΙΘΑΝΗ ΑΙΤΙΑ	ΠΡΟΤΕΙΝΟΜΕΝΕΣ ΕΝΕΡΓΕΙΕΣ
Λίγος χρόνος κοπής ανά φόρτιση μπαταρίας	Οι λεπίδες κοπής είναι αμβλείες	Ακονίστε επαγγελματικά τις λεπίδες κοπής.
	Φθαρμένες λεπίδες κοπής	Αντικαταστήστε τις λεπίδες κοπής σε ένα εγκεκριμένο κατάστημα επισκευής.
	Λυγισμένες λεπίδες κοπής	Αντικαταστήστε τις λεπίδες κοπής σε ένα εγκεκριμένο κατάστημα επισκευής.
	Ακατάλληλη τεχνική κοπής	Ακολουθήστε τις οδηγίες στην «Βασική κοπή».
	Υψηλότερη ταχύτητα κοπής από όσο χρειάζεται	Εφαρμόστε λιγότερη πίεση στη σκανδάλη γκαζιού.
	Συσώρευση ρητίνης αποτρέπει την κίνηση των λεπίδων κοπής	Δείτε την ενότητα «Φροντίδα λεπίδων».
	Η μπαταρία δεν είναι φορτισμένη πλήρως	Δείτε την ενότητα «Φόρτιση της μπαταρίας».
Πορτοκαλί λαμπάκι που αναβοσβήνει στην ένδειξη κατάστασης φόρτισης	<p>Βραχυκύκλωμα του φορτιστή, υπερβολικό ρεύμα στον φορτιστή, τάση άνω του ορίου, ανοικτό κύκλωμα στη μπαταρία ή σφάλμα χρονικού ορίου φόρτισης/προφόρτισης</p> <ol style="list-style-type: none"> 1. Βεβαιωθείτε ότι το καλώδιο του φορτιστή είναι συνδεδεμένο τόσο στον φορτιστή όσο και στην πρίζα. 2. Βεβαιωθείτε ότι ο φορτιστής λαμβάνει τη σωστή τάση. 3. Δοκιμάστε να φορτίσετε μια άλλη μπαταρία σχεδιασμένη για αυτόν τον φορτιστή. <p>Εάν αυτό δεν διορθώσει το πρόβλημα, ελέγξτε τη λειτουργία σε ένα εγκεκριμένο κατάστημα επισκευής.</p>	

ΕΓΓΥΗΣΗ ΚΑΙ ΕΠΙΣΚΕΥΗ

ΕΓΓΥΗΣΗ

Η Blount, Inc. εγγυάται για όλα τα καταχωρημένα ασύρματα εργαλεία, μπαταρίες και φορτιστές OREGON® για περίοδο δύο (2) ετών από την αρχική ημερομηνία αγοράς και ένα (1) έτος εάν χρησιμοποιούνται για επαγγελματικούς σκοπούς. Αυτή η περιορισμένη εγγύηση ισχύει για τα προϊόντα που κατασκευάζονται από την OREGON® Cordless Tool System. Κατά τη διάρκεια της περιόδου της εγγύησης, η Blount θα αντικαταστήσει, ή κατά την κρίση της, θα επισκευάσει μόνο για τον αρχικό αγοραστή, χωρίς χρέωση, οποιοδήποτε προϊόν ή μέρος βρεθεί έπειτα από εξέταση από την Blount ότι είναι ελαττωματικό σε υλικά και/ή κατασκευή. Ο αγοραστής θα είναι υπεύθυνος για όλα τα έξοδα μεταφοράς καθώς και για τυχόν αφαιρέσεις οποιουδήποτε μέρους που έχει υποβληθεί για αντικατάσταση με βάση αυτήν την εγγύηση.

ΚΡΑΤΗΣΤΕ ΤΗΝ ΠΡΩΤΟΤΥΠΗ ΑΠΟΔΕΙΞΗ ΑΓΟΡΑΣ

Επισυνάψτε την πρωτότυπη απόδειξη από την αρχική αγορά σε αυτό το εγχειρίδιο και φυλάξτε τα. Για επισκευή εντός της εγγύησης, παρακαλείσθε να φέρετε το προϊόν και την απόδειξη στον αντιπρόσωπο από τον οποίο αγοράστηκε το προϊόν. Επίσης μπορείτε να επικοινωνήσετε μαζί μας μέσω των πληροφοριών που παρέχονται στην ενότητα «Εξυπηρέτηση Πελατών ανά Χώρα».

ΕΠΙΣΚΕΥΗ ΚΑΙ ΠΛΗΡΟΦΟΡΙΕΣ ΥΠΟΣΤΗΡΙΞΗΣ

Επισκεφτείτε μας στο διαδίκτυο στο **OregonCordless.com** για πληροφορίες σχετικά με κέντρα επισκευής ή επικοινωνήστε με το τμήμα εξυπηρέτησης πελατών μας για βοήθεια, πρόσθετες τεχνικές συμβουλές, επισκευή ή ανταλλακτικά μέρη. Για συγκεκριμένους τηλεφωνικούς αριθμούς για κάθε χώρα, δείτε την ενότητα «Εξυπηρέτηση πελατών ανά χώρα».

Για ασφάλεια, χρησιμοποιήστε στο ηλεκτρικό εργαλείο μόνο αυθεντικά ανταλλακτικά μέρη από το εργοστάσιο. Το κέντρο εξυπηρέτησής μας είναι στελεχωμένο με εκπαιδευμένο προσωπικό για την αποτελεσματική παροχή υποστήριξης και βοήθειας σχετικά με ρύθμιση, επισκευή ή αντικατάσταση όλων των προϊόντων της OREGON® Cordless Tool System.

ΔΗΛΩΣΗ ΠΙΣΤΟΤΗΤΑΣ «ΕΚ»

H Blount International Inc.

4909 SE International Way, Portland Oregon, 97222 Η.Π.Α.

ΔΗΛΩΝΕΙ ΟΤΙ ΤΟ(ΤΑ) ΠΑΡΑΚΑΤΩ ΠΡΟΪΟΝ(ΤΑ):

Ψαλίδι μπορντούρας θάμνων το οποίο
λειτουργεί με μπαταρία μοντέλο(α):

HT255

Φορτιστής Μπαταρίας C600

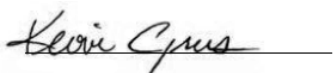
ΣΥΜΜΟΡΦΩΝΟΝΤΑΙ ΜΕ ΤΙΣ ΑΚΟΛΟΥΘΕΣ ΕΥΡΩΠΑΪΚΕΣ ΟΔΗΓΙΕΣ ΚΑΙ ΠΡΟΤΥΠΑ:

ΟΔΗΓΙΕΣ ΤΗΣ ΕΚ:

ΟΔΗΓΙΑ ΣΧΕΤΙΚΑ ΜΕ ΤΑ ΜΗΧΑΝΗΜΑΤΑ 2006/42/ΕΚ

ΕΤΑΙΡΙΚΟΣ ΑΝΤΙΠΡΟΣΩΠΟΣ:

ΕΥΡΩΠΑΪΚΗ ΕΠΑΦΗ ΤΕΧΝΙΚΩΝ ΑΡΧΕΙΩΝ:



Kevin Cyrus
Διευθυντής – Ασφάλεια προϊόντων & Συμμόρφωση
Blount International Inc.
Portland OR 97222 Η.Π.Α.

Mr. Marnix Kuypers
Blount International-Europe-S. A.
Rue Emile Francqui, 5
B 1435 Mont-Saint-Guibert
Βέλγιο








ΗΜΕΡΟΜΗΝΙΑ/ΤΟΠΟΣ:

10 Ιουλίου 2012, Πόρτλαντ, Όρεγκον

ÍNDICE

SÍMBOLOS Y ETIQUETAS	189
NORMAS DE SEGURIDAD.	190
ADVERTENCIAS DE SEGURIDAD GENERALES DE LA HERRAMIENTA ELÉCTRICA	190
SEGURIDAD EN EL ÁREA DE TRABAJO	190
SEGURIDAD ELÉCTRICA	190
SEGURIDAD PERSONAL	191
USO Y CUIDADO DE LA HERRAMIENTA ELÉCTRICA	192
USO Y CUIDADO DE LA BATERÍA	192
SERVICIO	192
ADVERTENCIAS DE SEGURIDAD DEL CORTASETOS.	192
ALMACENAMIENTO, TRANSPORTE Y ELIMINACIÓN.	193
SEGURIDAD DEL CARGADOR	195
IDENTIFICACIÓN DEL PRODUCTO.	196
ESPECIFICACIONES Y COMPONENTES	197
NOMBRES Y TÉRMINOS DEL CORTASETOS	198
FUNCIONAMIENTO DEL CORTASETOS.	199
DESEMBALAJE	199
BATERÍA Y CARGADOR.	199
OPERACIÓN GENERAL	201
CORTE DE SETOS.	203
MANTENIMIENTO Y LIMPIEZA.	205
CORTASETOS	205
BATERÍA	206
CARGADOR	206
RESOLUCIÓN DE PROBLEMAS	207
GARANTÍA Y SERVICIO.	209
DECLARACIÓN DE CONFORMIDAD CON LA CE	210
SERVICIO DE ATENCIÓN AL CLIENTE POR PAÍS	418

SÍMBOLOS Y ETIQUETAS

SÍMBOLO	NOMBRE	EXPLICACIÓN
	CONSTRUCCIÓN DE CLASE II	HERRAMIENTAS DE CONSTRUCCIÓN DESIGNADAS CON DOBLE AISLAMIENTO.
	SÍMBOLO DE ALERTA DE SEGURIDAD	INDICA QUE EL TEXTO SIGUIENTE EXPLICA UN PELIGRO, UNA ADVERTENCIA O UNA PRECAUCIÓN.
	LEA LAS INSTRUCCIONES	EL MANUAL DE INSTRUCCIONES ORIGINAL CONTIENE INFORMACIÓN IMPORTANTE SOBRE LA SEGURIDAD Y EL FUNCIONAMIENTO. LEA LAS INSTRUCCIONES Y SÍGALAS ATENTAMENTE.
	UTILICE PROTECCIÓN PARA LOS OJOS	UTILICE PROTECCIÓN PARA LOS OJOS CUANDO UTILICE EL CORTASETOS.
	UTILICE PROTECCIÓN PARA LAS MANOS	UTILICE GUANTES CUANTO EL ESTÉ EN FUNCIONAMIENTO Y CUANDO MANIPULE LAS CUCHILLAS.
	POTENCIA SONORA	EL NIVEL DE POTENCIA SONORA ES DE 74 DB.
	SUJECCIÓN CON DOS MANOS	SUJETE EL CORTASETOS CON AMBAS MANOS.
	SUJECCIÓN CON UNA MANO	NO SUJETE EL CORTASETOS CON UNA MANO.
	NO QUEMAR	NO ARROJAR A LAS LLAMAS.
	NO DESECHAR	NO DESECHAR JUNTO CON LOS RESIDUOS DOMÉSTICOS. LLÉVELA A UN PUNTO DE RECICLAJE AUTORIZADO.
	NO EXPONER A LA LLUVIA	NO UTILICE EL CARGADOR EN CONDICIONES DE HUMEDAD.
	USO EN INTERIORES ÚNICAMENTE	DISEÑADO PARA SU USO EN INTERIORES ÚNICAMENTE.
	INSPECCIÓN DEL SUMINISTRO DE ENERGÍA	INSPECCIONE EL SUMINISTRO DE ENERGÍA DEL CARGADOR Y EL CABLE CON REGULARIDAD PARA COMPROBAR SI SUFREN DAÑOS.
	TEMPERATURA DE FUNCIONAMIENTO	UTILICE LA BATERÍA SOLO A UNA TEMPERATURA ENTRE 0 °C Y 40 °C (32 °F Y 104 °F).
	HERRAMIENTA DE CORTE	HERRAMIENTA PARA CORTAR. NO TOQUE LAS CUCHILLAS SIN DESACTIVAR PRIMERO EL CORTASETOS QUITANDO LA BATERÍA.

INTRODUCCIÓN

Este cortasetos está diseñado para corte y mantenimiento regular. No está diseñado para cortar ramas de más de 19 mm (¾ in) de diámetro. Otros usos podrían provocar lesiones y no están permitidos.

NORMAS DE SEGURIDAD

ADVERTENCIAS DE SEGURIDAD GENERALES DE LA HERRAMIENTA ELÉCTRICA

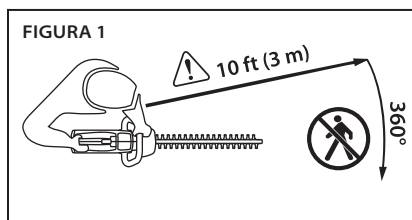
⚠ ADVERTENCIA: LEA Y COMPRENDA TODAS LAS ADVERTENCIAS DE SEGURIDAD Y LAS INSTRUCCIONES. DE NO SEGUIR LAS ADVERTENCIAS Y LAS INSTRUCCIONES PODRÍA PROVOCARSE UNA DESCARGA ELÉCTRICA, UN INCENDIO O LESIONES GRAVES.



CONSERVE TODAS LAS ADVERTENCIAS E INSTRUCCIONES COMO REFERENCIA PARA EL FUTURO. EL TÉRMINO "HERRAMIENTA ELÉCTRICA" DE LAS ADVERTENCIAS HACE REFERENCIA TANTO AL MODELO QUE SE CONECTA A LA RED ELÉCTRICA (CON CABLE) COMO AL QUE SE UTILIZA CON BATERÍA (SIN CABLE).

SEGURIDAD EN EL ÁREA DE TRABAJO

- Mantenga el área de trabajo limpia y bien iluminada. La falta de luz y el desorden contribuyen a que se produzcan accidentes.
- No utilice herramientas eléctricas en lugares con riesgo de explosión, como en presencia de gases, polvo o líquidos inflamables. Las herramientas eléctricas producen chispas que pueden provocar que el polvo o los gases ardan.
- Mantenga a los niños alejados y no se acerque a otras personas mientras esté utilizando una herramienta eléctrica (Figura 1). Cualquier distracción puede provocar la pérdida del control.



⚠ PRECAUCIÓN: ANTES DE OPERAR ESTE EQUIPO ESTABLEZCA UNA ZONA DE SEGURIDAD DE 3 M (10 PIES) ENTRE USTED Y OTRAS PERSONAS. La zona de seguridad es un círculo de 3 m (10 pies) en torno al operador en la que no puede haber observadores, niños ni mascotas.

SEGURIDAD ELÉCTRICA

- Los enchufes de la herramienta eléctrica deben ser compatibles con la toma de corriente. Nunca modifique el enchufe de ningún modo. No utilice adaptadores con herramientas eléctricas conectadas a tierra. Para reducir el riesgo de que se produzca una descarga eléctrica, utilice enchufes no modificados y tomas de corriente adecuadas.
- Evite el contacto del cuerpo con superficies conectadas a tierra, como tuberías, radiadores, estufas y refrigeradores. Si su cuerpo se encuentra en contacto con una superficie conectada a tierra, existe mayor riesgo de que se produzca una descarga eléctrica.
- No exponga las herramientas eléctricas a condiciones de lluvia o humedad. La entrada de agua en una herramienta eléctrica aumentará el riesgo de que se produzca una descarga eléctrica.
- No fuerce el cable. Nunca utilice el cable para transportar, tirar o desenchufar la herramienta eléctrica. Mantenga el cable alejado de fuentes de calor, aceite, bordes afilados o piezas en movimiento. Los cables dañados o enredados aumentan el riesgo de que se produzca una descarga eléctrica.
- Mientras opere la herramienta eléctrica al aire libre, utilice un cable alargador adecuado para el uso al aire libre. La utilización de un cable adecuado para el uso al aire libre reduce el riesgo de que se produzca una descarga eléctrica.

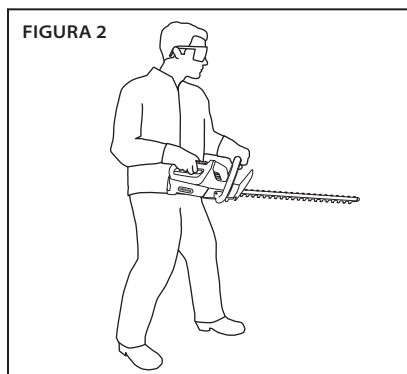
- Si es inevitable la operación de la herramienta eléctrica en un lugar húmedo, utilice un suministro protegido por un diferencial o interruptor de circuito de fuga a tierra (ICFT). La utilización de un diferencial (ICFT) reduce el riesgo de que se produzca una descarga eléctrica.
- Desenchufe el cable de la red si el cable está dañado o cortado.

SEGURIDAD PERSONAL



- Permanezca atento, preste atención a lo que hace y utilice el sentido común al operar una herramienta eléctrica. No utilice una herramienta eléctrica cuando esté cansado o bajo los efectos de drogas, alcohol o medicación. En un momento de descuido mientras utiliza herramientas eléctricas se pueden producir lesiones graves.
- Utilice equipo de protección personal. Utilice siempre protección para los ojos. La utilización de un equipo de protección para las condiciones apropiadas, como una máscara contra el polvo, calzado de seguridad antideslizante, un casco de seguridad o protección para los oídos, reducirá el riesgo de lesiones.
- Evite el arranque de manera involuntaria. Asegúrese de que el interruptor esté en posición de apagado antes de levantar, transportar o conectar la herramienta a una fuente de electricidad o a una batería. Transportar herramientas eléctricas con el dedo en el interruptor o enchufar herramientas eléctricas con el interruptor conectado contribuye a que se produzcan accidentes.
- Retire cualquier llave de ajuste o llave fija antes de poner en marcha la herramienta. Si se deja una llave fija o de ajuste acoplada a una pieza giratoria de la herramienta eléctrica, se pueden provocar lesiones personales.

- No estire el cuerpo para intentar llegar a algo fuera de su alcance. Coloque los pies de modo que mantenga un equilibrio adecuado en todo momento (Figura 2). Esto permite controlar mejor la herramienta eléctrica en situaciones inesperadas.



- Vístase de forma adecuada. No utilice ropa suelta ni joyas. Mantenga el pelo, la ropa y los guantes alejados de las piezas en movimiento. La ropa suelta, las joyas o el pelo largo pueden quedar atrapados en las piezas en movimiento.
- Si se suministran dispositivos para conectar equipos de extracción o recogida de polvo, asegúrese de que se conectan y se utilizan de forma correcta. El uso de sistemas de recogida de polvo puede reducir los riesgos relacionados con el polvo.
- En algunos casos el uso prolongado de herramientas eléctricas ha provocado trastornos vasculares, musculares o neurológicos (como el síndrome de Raynaud o del dedo blanco por vibración). Para reducir el riesgo de que se produzcan lesiones, siga estas instrucciones:
 - Utilice guantes y mantenga las manos y el cuerpo calientes.
 - Mantenga una sujeción firme del cortasetos, pero no ejerza una presión prolongada y excesiva.
 - Haga descansos con frecuencia.

La vibración durante el uso normal puede variar con respecto a los valores indicados dependiendo del material que se esté cortando, del mantenimiento del sistema de corte y de otros factores.

USO Y CUIDADO DE LA HERRAMIENTA ELÉCTRICA

- **No fuerce la herramienta eléctrica. Utilice la herramienta eléctrica correcta para cada uso.** *La herramienta eléctrica adecuada hará el trabajo mejor y de forma más segura a la velocidad para la que se diseñó.*
- **No utilice la herramienta eléctrica si al pulsar el interruptor no se enciende y apaga.** *Cualquier herramienta eléctrica que no se pueda controlar mediante el interruptor es peligrosa y se debe reparar.*
- **Antes de realizar ajustes, cambiar accesorios o almacenar una herramienta eléctrica, desconecte el enchufe de la fuente de alimentación o la batería de la misma.** *Dichas medidas de seguridad preventivas reducen el riesgo de arrancar la herramienta eléctrica de forma accidental.*



- **Almacene las herramientas eléctricas que no se encuentren en uso fuera del alcance de los niños y no permita que las utilicen personas que no conocen las herramientas eléctricas ni estas instrucciones.** *Las herramientas eléctricas son peligrosas en las manos de usuarios no capacitados.*
- **Realice el mantenimiento de las herramientas eléctricas.** Compruebe si las piezas móviles están desalineadas o se han atascado, si se han roto piezas y cualquier otra circunstancia que pudiese afectar al funcionamiento de la herramienta eléctrica. Si está dañada, repare la herramienta eléctrica antes de utilizarla. *Muchos accidentes están provocados por un mantenimiento defectuoso de las herramientas eléctricas.*
- **Mantenga las herramientas de corte afiladas y limpias.** *Las herramientas de corte mantenidas de forma adecuada con bordes de corte afilados tienen menos probabilidades de atascarse y son más fáciles de controlar.*
- **Utilice la herramienta eléctrica, los accesorios, las cuchillas, etc. de acuerdo con estas instrucciones, teniendo en cuenta las condiciones de trabajo y la tarea que se va a realizar.** *La utilización de la herramienta eléctrica para operaciones distintas de las operaciones para las que se diseñó podría provocar una situación peligrosa.*

USO Y CUIDADO DE LA BATERÍA

- **Recargue solamente con el cargador especificado por el fabricante.** *Un cargador adecuado para un tipo de batería podría provocar un incendio cuando se utiliza con otra batería.*
- **Utilice la herramienta eléctrica solamente con baterías específicamente diseñadas.** *La utilización de cualquier otra batería podría provocar lesiones o un incendio.*
- **Cuando no se utilice la batería, manténgala alejada de los objetos de metal como sujetapapeles, monedas, llaves, clavos, tornillos u otros objetos de metal pequeños que puedan hacer de conexión entre un polo y otro.** *Si se produce un cortocircuito por contacto de los polos de la batería se podrían causar quemaduras o un incendio.*
- **Si se opera de forma indebida, es posible que salga líquido de la batería.** Si esto se produce, evite el contacto con él. *Si se produce el contacto de manera accidental, échele agua. Si el líquido entra en contacto con los ojos, además busque ayuda médica. El líquido que sale de la batería puede causar irritación o quemaduras.*

SERVICIO

Las reparaciones de la herramienta eléctrica debe llevarlas a cabo una persona cualificada para ello y solo debe utilizar piezas de recambio idénticas. Esto garantizará que se mantenga la seguridad de la herramienta eléctrica.

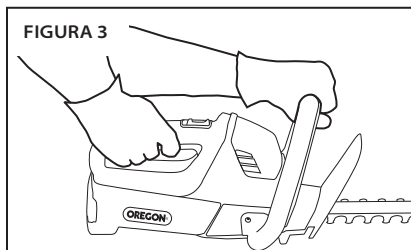
ADVERTENCIAS DE SEGURIDAD DEL CORTASETOS



⚠ PELIGRO: MANTENGA LAS MANOS ALEJADAS DE LA CUCHILLA. EL CONTACTO CON LA CUCHILLA PUEDE PROVOCAR LESIONES GRAVES.

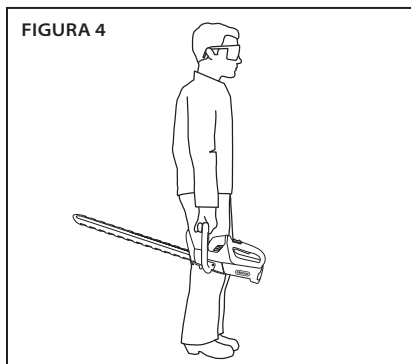
⚠ ADVERTENCIA: UTILÍCELO SOLO CON EL ASA Y LA PROTECCIÓN PARA LAS MANOS CORRECTAMENTE MONTADAS EN EL CORTASETOS. EL USO DEL CORTASETOS SIN LA PROTECCIÓN O EL ASA ADECUADAS PUEDE PROVOCAR LESIONES GRAVES.

- Utilice ambas manos cuando utilice el cortasetos. Si utiliza una sola mano puede perder el control y pueden producirse lesiones graves (Figura 3).



- Mantenga todas las partes del cuerpo alejadas de la cuchilla. No quite el material de corte ni sujete el material que se va a cortar cuando las cuchillas estén en movimiento. Asegúrese de que el interruptor esté apagado cuando extraiga el material atascado. Las cuchillas siguen moviéndose durante un tiempo después de apagar el cortasetos. Un momento de descuido mientras utiliza el cortasetos puede producir lesiones graves.

- Transporte el cortasetos por el asa con la cuchilla parada (Figura 4). Cuando transporte o almacene el cortasetos, ponga siempre la funda del dispositivo de corte. Un manejo adecuado del cortasetos reducirá la posibilidad de lesiones personales producidas por las cuchillas cortadoras.



- Sujete la herramienta eléctrica únicamente por superficies de agarre aisladas, ya que la cuchilla puede entrar en contacto con cables ocultos o con su propio cable. Las cuchillas cortadoras que entren en contacto con un cable con corriente pueden cargar con corriente las partes metálicas expuestas de la herramienta eléctrica y podrían producir una descarga eléctrica en el operador.
- El cortasetos no tiene piezas cuyo mantenimiento pueda realizar el usuario. La sustitución de la cuchilla, así como los trabajos de servicio y reparación, requieren formación especial. Consulte la sección "Información sobre servicio y soporte técnico" para ver la información de contacto.

ALMACENAMIENTO, TRANSPORTE Y ELIMINACIÓN

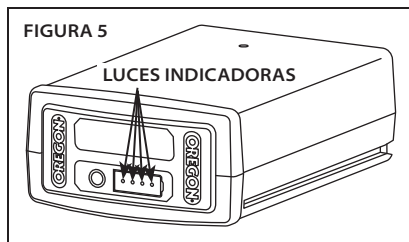
ALMACENAMIENTO DEL CORTASETOS

- Aplique lubricante a las cuchillas. Consulte la sección "Mantenimiento y limpieza" para obtener más información.
- Quite la batería del cortasetos.
- Limpie el cortasetos minuciosamente.
- Ponga la funda de la barra.
- Almacénelo en un lugar seco.
- Manténgalo fuera del alcance de niños y mascotas.

ALMACENAMIENTO DE LA BATERÍA

Cuando almacene la batería durante más de nueve meses, siga estas pautas:

- Retire la batería del cortasetos o del cargador.
- Almacénela en un lugar fresco y seco.
- Manténgala fuera del alcance de niños y mascotas.
- Para maximizar el rendimiento de la batería, nunca almacene las baterías completamente descargadas. (Figura 5).



- Almacénela a una temperatura entre -20 °C y 30 °C (-4 °F y 86 °F).



ALMACENAMIENTO DEL CARGADOR

- Retire la batería del cargador.
- Desconecte el cargador de la fuente de alimentación.
- Almacénelo en un lugar seco.
- Manténgalo fuera del alcance de niños y mascotas.

Consulte la sección "Mantenimiento y limpieza" para obtener más información.

TRANSPORTE DEL CORTASETOS

Si va a enviarlo a algún sitio, prepare el cortasetos según se describe en la sección "Almacenamiento del cortasetos".

TRANSPORTE DE LA BATERÍA

Cumpla las reglamentaciones nacionales respectivas al enviar baterías de ion-litio; es posible que se requiera un etiquetado obligatorio.

ELIMINACIÓN DEL CORTASETOS Y EL CARGADOR

El producto de OREGON® está diseñado y fabricado con materiales y componentes de gran calidad que se pueden reciclar y reutilizar. Según la Directiva 2002/95/CE, cuando el dispositivo eléctrico alcance el final de su vida útil, no se debe desechar junto con los residuos domésticos normales. La Unión Europea cuenta con sistemas de recogida independiente para productos eléctricos y electrónicos. Deseche este equipo de un modo respetuoso con el medio ambiente en el centro de reciclaje o de recogida de residuos de su comunidad.

ELIMINACIÓN DE LA BATERÍA

No deseche la batería junto con los residuos domésticos normales. No arroje la batería al fuego. Las agencias de reciclado y gestión de desechos locales cuentan con información sobre la eliminación o el reciclado adecuados, de conformidad con las normativas ambientales.



SEGURIDAD DE LA BATERÍA

⚠ PELIGRO: NO SEGUIR ESTAS REGLAS DE SEGURIDAD PUEDE PROVOCAR QUE LA BATERÍA PIERDA SUSTANCIAS QUÍMICAS PELIGROSAS, QUE SE RECALIENTE, QUE DESPIDA HUMO, QUE ESTALLE, QUE SE QUEME, QUE EXPLOTE O QUE SE INCENDIE.

⚠ PRECAUCIÓN: NO ARROJE LA BATERÍA A LA BASURA NI AL FUEGO. LAS BATERÍAS DE ION-LITIO DEBEN RECICLARSE EN UN RECICLADOR LOCAL AUTORIZADO.

⚠ PRECAUCIÓN: NO EXPONGA LA BATERÍA A CALOR EXCESIVO, COMO EN EL INTERIOR DE UN VEHÍCULO CUANDO HACE CALOR. DICHA EXPOSICIÓN PUEDE CAUSAR UNA PÉRDIDA DE RENDIMIENTO O DISMINUIR SU VIDA ÚTIL. NO INTEGRO RECARGAR UNA BATERÍA NO RECARGABLE.

- No desmonte ni modifique la batería. Esto puede dañar los dispositivos de seguridad.
- No conecte los polos positivo (+) y negativo (-) a objetos metálicos ni almacene la batería con objetos metálicos, como monedas o tornillos. Esto puede provocar cortocircuitos y generar calor suficiente como para producir quemaduras.
- No eche al fuego la batería ni la exponga a calor excesivo. Esto puede fundir al aislante o dañar los dispositivos de seguridad.

- No la utilice, cargue ni almacene cerca de fuentes de calor superiores a 80 °C (176 °F). Esto puede provocar sobrecalentamiento y cortocircuitos internos.
- No la exponga a condiciones de humedad extremas. Esto puede dañar los dispositivos de seguridad, producir corriente y voltaje extremadamente altos y provocar reacciones químicas anómalas.
- Utilice solo el cargador específicamente diseñado para la batería y siga las precauciones de seguridad descritas en la sección "Seguridad del cargador". El uso de otro cargador puede dañar los dispositivos de seguridad, producir corriente y voltaje extremadamente altos y provocar reacciones químicas anómalas.
- No utilice baterías OREGON® en herramientas que no sean de la marca OREGON®.
- No golpee, perfore ni arroje la batería y no utilice una batería dañada o deformada.
- Si la recarga falla, no intente recargarla. Si la batería desprende olor, genera calor, se descolora, se deforma o si parece anómala por alguna otra razón durante el uso, la recarga o el almacenamiento, retírela del cortasetos o del cargador de inmediato.
- Cualquier fuga de líquido de la batería es corrosiva, puede dañar los ojos y la piel y, en caso de ingestión, puede ser tóxica.

SEGURIDAD DEL CARGADOR

INSTRUCCIONES IMPORTANTES DE SEGURIDAD

⚠ PRECAUCIÓN: ESTE DISPOSITIVO NO ESTÁ DISEÑADO PARA USO POR PARTE DE PERSONAS (INCLUIDOS LOS NIÑOS) CON CAPACIDADES FÍSICAS, SENSORIALES O MENTALES REDUCIDAS, O CON FALTA DE CONOCIMIENTO, A MENOS QUE HAYAN SIDO SUPERVISADAS O INSTRUIDAS POR UNA PERSONA RESPONSABLE DE SU SEGURIDAD. SE DEBE VIGILAR A LOS NIÑOS PARA ASEGURARSE DE QUE NO JUEGUEN CON LOS DISPOSITIVOS.

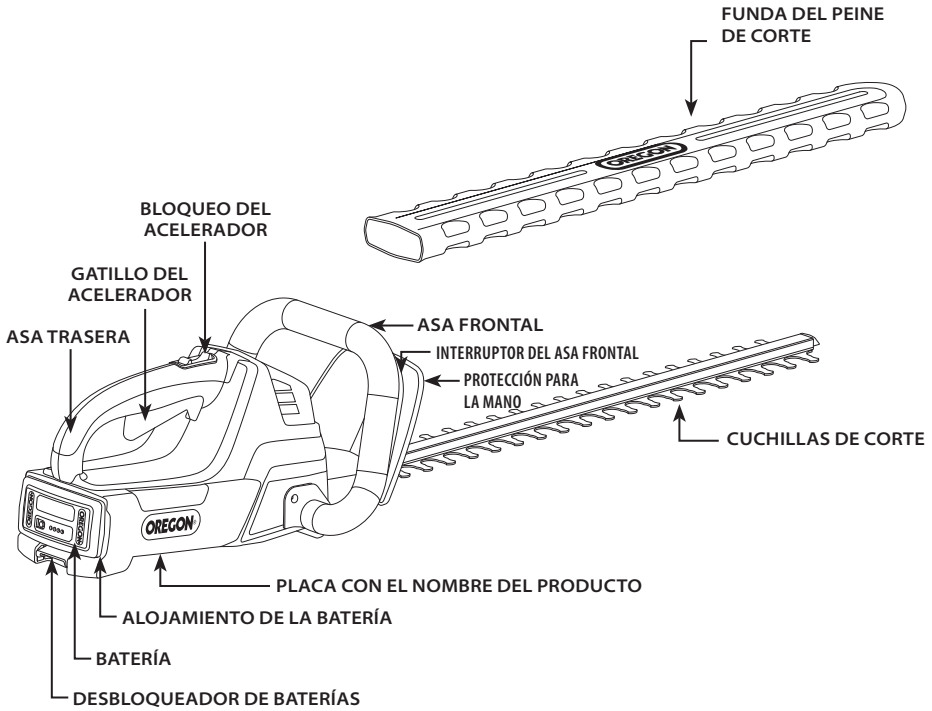
⚠ ADVERTENCIA: RIESGO DE DESCARGA ELÉCTRICA. CUANDO SE UTILIZA EN EXTERIORES, UTILICE SOLO UN RECEPTÁCULO CUBIERTO, PROTEGIDO MEDIANTE ICFT DE CLASE A IMPERMEABLE CON LA UNIDAD DE ALIMENTACIÓN CONECTADA AL RECEPTÁCULO. SI NO DISPONE DE UNO, PÓNGASE EN CONTACTO CON UN ELECTRICISTA CUALIFICADO PARA QUE LO INSTALE DE FORMA CORRECTA. ASEGÚRESE DE QUE EL CABLE Y LA UNIDAD DE ALIMENTACIÓN NO IMPIDAN QUE SE PUEDA CERRAR COMPLETAMENTE LA CUBIERTA DEL RECEPTÁCULO.

⚠ PRECAUCIÓN: UTILICE ESTE CARGADOR ÚNICAMENTE CON EL CABLE DE ALIMENTACIÓN SUMINISTRADO Y ASEGÚRESE DE QUE EL ENCHUFE DE ENTRADA SEA COMPATIBLE CON EL RECEPTÁCULO DE SALIDA.

Cuando utilice productos eléctricos, siempre se deben tomar las precauciones básicas, incluidas las siguientes:

- Lea y siga todas las instrucciones de seguridad antes del uso. Lea y siga todas las instrucciones que incluye el producto o que se suministran con el producto.
- Guarde estas instrucciones.
- No utilice un cable alargador.
- No fuerce el cable. Nunca utilice el cable para transportar, tirar o desenchufar la herramienta eléctrica. Mantenga el cable alejado de fuentes de calor, aceite, bordes afilados o piezas en movimiento. *Los cables dañados o enredados aumentan el riesgo de que se produzca una descarga eléctrica.*
- No exponga el cargador a la lluvia. *Exclusivamente para uso en interiores.*
- No lo utilice a menos de 3 m (10 pies) de una piscina.
- No lo utilice en un cuarto de baño.

IDENTIFICACIÓN DEL PRODUCTO



CONOZCA EL CORTASETOS

NOTA: Consulte la sección “Desembalaje” para ver la lista de los elementos incluidos.

ESPECIFICACIONES Y COMPONENTES

COMPONENTES DE REPUESTO		REFERENCIA
BATERÍA, MODELO B400E		548206
CARGADOR CON CABLE, MODELO C600		UE - 554933 RU - 554872 AU/NZ - 560663
CARGADOR CON CABLE, MODELO C750		UE - 558697 RU - 558698 AU/NZ - 558699
CARGADOR, MODELO C600		
ENTRADA	100-240 V~ 50-60 HZ 60 W	
SALIDA	41,5 V _{DC} 1,25 A	
CABLE DE ALIMENTACIÓN	EU - 547383 RU - 547384 AU/NZ - 559380	
BATERÍA, MODELO B400E		
PESO	1,23 kg (2,72 lb)	
TIPO	ION-LITIO	
VOLTAJE NOMINAL	+37 V CC	
TEMPERATURAS OPERATIVAS	DE 0 °C A 40 °C (DE 32 °F A 104 °F)	
CAPACIDAD NOMINAL	2,4 Ah/89 Wh	
TIEMPO DE CARGA (APROX.)	120 MINUTOS	
CORTASETOS		
LONGITUD DE LA CUCHILLA	600 mm (24 in)	
TIPO DE PEINE	MOVIMIENTO DE DOBLE VAIVÉN	
VELOCIDAD MÁXIMA DE CORTE DEL PEINE	2750 MOVIMIENTOS POR MINUTO	
DIÁMETRO MÁX. DE CORTE	HASTA 19 mm (3/4 in)	
PESO CON B400E	4,4 kg (9,8 lb)	
NIVEL DE POTENCIA SONORA	74 dB L _{WA} (K, 0,18 dB)	
VIBRACIÓN	1,16 m/s ² (K, 0,26 m/s ²)	

NOMBRES Y TÉRMINOS DEL CORTASETOS

Asa frontal: asa de agarre ubicada en la parte frontal del cortasetos o cerca de ella.

Asa trasera: asa de agarre, situada en la parte trasera del cortasetos o cerca de él, donde está ubicado el gatillo del acelerador.

Atasco del peine de corte: estado en el que las cuchillas no se mueven debido a que ha quedado alojado material entre las piezas en movimiento y las piezas fijas de las cuchillas.

Bloqueo del acelerador: tope móvil que impide la activación accidental del acelerador del cortasetos hasta que se accione de forma manual.

Cuchillas de corte: serie de superficies afiladas que sobresale de la parte delantera del cortasetos y que se mueven de un lado a otro para cortar setos.

Época de poda: la época ideal para cortar setos depende del tipo de planta, pero normalmente es recomendable hacerlo durante períodos de crecimiento lento, cuando ya han terminado de florecer. Consulte a un profesional de un vivero local para que le aconseje sobre la poda de plantas concretas.

Gatillo del acelerador: dispositivo que controla la velocidad de la cuchillas.

Interruptor del asa frontal: interruptor con forma de U situado a lo largo del asa frontal, que impide la activación accidental del acelerador hasta que se accione de forma manual.

Nuevo brote: el brote más reciente de una planta. Normalmente tiene un color más brillante, es menos leñoso y más flexible que el resto de la planta.

Protector de mano: barrera estructural entre el asa frontal de un cortasetos y las cuchillas.

Velocidad de corte: la velocidad de corte del cortasetos es variable. Apriete el gatillo del acelerador con más fuerza para lograr una mayor velocidad de corte. Para sacar el máximo partido de cada carga, utilice solo la velocidad de corte mínima necesaria para cortar el material.

Zona de seguridad: debe hacer una zona de seguridad de 3 m (10 pies) en torno al operador que en la que no puede haber observadores, niños ni mascotas.

FUNCIONAMIENTO DEL CORTASETOS

DESEMBALAJE

CONTENIDO DE LA CAJA

El cortasetos requiere algo de montaje antes de su uso. Estos elementos se incluyen con el cortasetos:

- Cortasetos
- Funda de barra
- Manual de instrucciones
- Cargador y cable de alimentación (si forma parte del equipo)
- Batería (si forma parte del equipo)

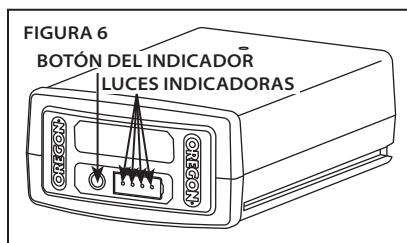
Cuando saque el cortasetos de la caja, verifíquelo con atención para asegurarse de que no se han producido daños durante el envío y de que no falta ninguna pieza. Si faltara alguna pieza o hubiera alguna pieza dañada, no utilice el cortasetos. Póngase en contacto con OREGON® Cordless Tool System para obtener piezas de repuesto. Para obtener números de teléfono específicos de países, consulte la sección "Servicio de atención al cliente por país".

BATERÍA Y CARGADOR

⚠ ADVERTENCIA: NO CARGUE LA BATERÍA BAJO LA LLUVIA.

INDICADOR LED DE NIVEL DE CARGA DE BATERÍA

La batería de ion-litio está equipada con un indicador LED de nivel de carga. Para comprobar el nivel de carga de la batería, presione el botón del indicador que se encuentra en la parte frontal de la batería (Figura 6).



Sin luces: recargar.

Una luz verde fija:
menos del 25 % de la carga.
Cargue la batería antes de usarla.

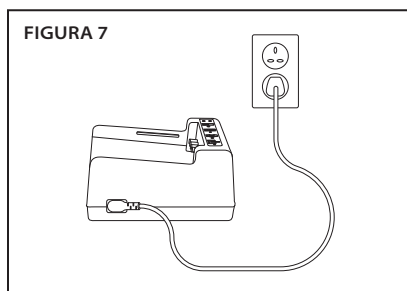
Dos luces verdes fijas:
26–50 % de la carga.

Tres luces verdes fijas:
51–75 % de la carga.

Cuatro luces verdes fijas:
76–100 % de la carga.

CONEXIÓN DEL CARGADOR

Conecte el cable del cargador al cargador y a la toma de corriente adecuada (Figura 7).



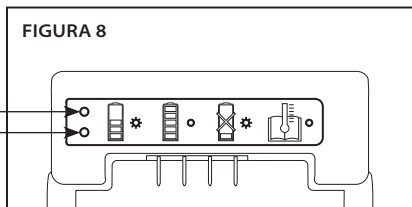
Use solo el cable suministrado con el cargador. Al usarlo por primera vez, verifique que el tipo de enchufe es compatible con el receptáculo.

INDICADOR LED DEL ESTADO DE CARGA DEL CARGADOR

El cargador de la batería está equipado con un indicador LED del estado de carga que le indica el estado de carga, así como las condiciones que podrían retrasar o impedir la carga (Figura 8).

Nota: Hasta que se no inserte una batería, no se verá ninguna luz.

- Luz naranja intermitente: hay algún fallo. Hay varias causas posibles. Consulte la sección "Resolución de problemas" de este manual.
- Luz naranja constante: la temperatura de la batería supera el rango aceptable (de 0 °C/32 °F a 40 °C/104 °F). Deje que la batería alcance el rango de temperatura aceptable antes de cargarla. Puede dejar la batería en el cargador mientras se ajusta la temperatura. El proceso de carga comenzará cuando se alcance la temperatura adecuada.

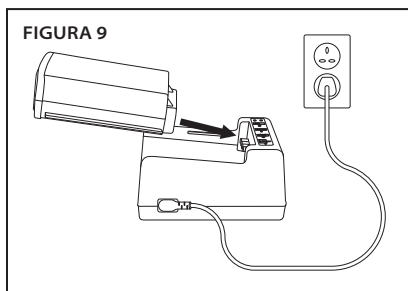


- Luz verde intermitente: la batería se está cargando.
- Luz verde fija: la batería está LISTA PARA USAR.

CÓMO CARGAR LA BATERÍA

⚠ ADVERTENCIA: SI NO SE SIGUEN LOS PROCEDIMIENTOS DE CARGA ADECUADOS SE PUEDE PROVOCAR VOLTAJE EXCESIVO, FLUJO DE CORRIENTE EXCESIVO, PÉRDIDA DE CONTROL DURANTE LA CARGA, FILTRACIÓN DE PRODUCTOS QUÍMICOS PELIGROSOS, GENERACIÓN DE CALOR, ESTALLIDO O INCENDIO.

Con el cable del cargador conectado al cargador y enchufado en una toma de corriente, alinee las ranuras de la batería con los carriles del cargador y deslice la batería en el cargador hasta que esté completamente asentada (Figura 9).

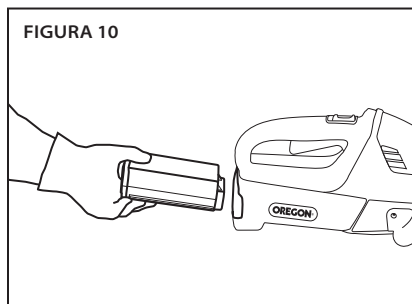


Compruebe el indicador del estado de la carga para conocer el estado de la carga.

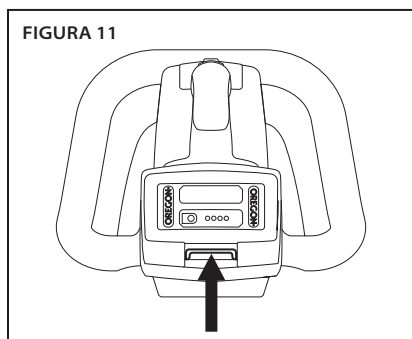
INTRODUCCIÓN Y DESBLOQUEO DE LA BATERÍA

Utilice únicamente las baterías marca OREGON® especificadas en estas instrucciones de funcionamiento.

Alinee la ranura de la batería con los carriles que están dentro del puerto de batería. Introduzca con firmeza la batería en el puerto de batería del cortasetos, presionando hacia adelante hasta oír un clic al encajar en su lugar (Figura 10).



Para retirar la batería, levante el desbloqueador de la batería y retírela (Figura 11).



OPERACIÓN GENERAL



⚠ ADVERTENCIA: USE SIEMPRE GANTES Y PROTECCIÓN PARA LOS OJOS ADECUADOS.

TEMPERATURA DE FUNCIONAMIENTO

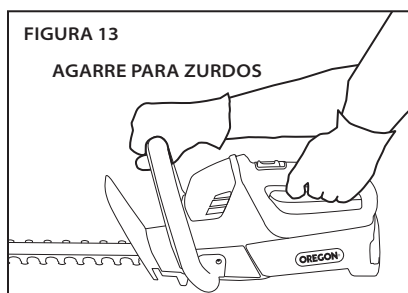
Este cortasetos está diseñado para operar en un rango de temperatura de 0 °C a 40 °C (de 32 °F a 104 °F).

AGARRE

Sujete siempre la herramienta con ambas manos. Para usuarios diestros, coloque el cortasetos sobre una superficie firme y lisa, agarre el asa frontal con la mano izquierda y el asa trasera con la mano derecha. Cierre la mano con los dedos en la parte superior del asa frontal y el pulgar debajo del asa (Figura 12).



Para usuarios zurdos, agarre el asa frontal con la mano derecha y el asa trasera con la mano izquierda (Figura 13).



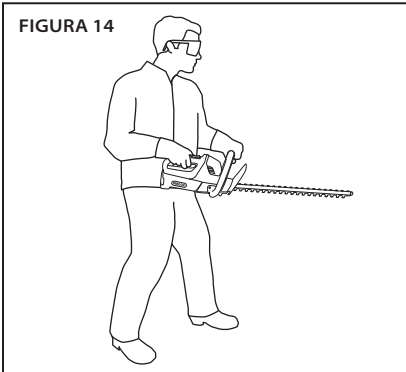
POSTURA

Ambos pies deben estar sobre suelo firme, con el peso distribuido de manera uniforme entre ellos.

No se estire para intentar llegar a algo fuera de su alcance y no se suba a una escalera o taburete, ni se ponga en una posición elevada que no sea completamente segura.



Sujete el cortasetos lo más cerca posible de su cuerpo para mantener el control (Figura 14).

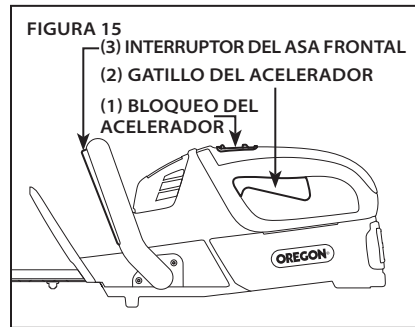


PARADA DEL CORTASETOS

Suelte el gatillo del acelerador para detener el cortasetos.

ARRANQUE DEL CORTASETOS

Sujete con firmeza las asas frontal y trasera. Quite el bloqueo del acelerador (1) con el pulgar (Figura 15). Apriete el gatillo del acelerador (2) hasta que las cuchillas se muevan a la velocidad deseada. El interruptor del asa frontal (3) es un dispositivo de seguridad; el cortasetos no arrancará a menos que este se accione.



CONTROL DE LA VELOCIDAD DE LA CUCHILLA

Mediante el gatillo del acelerador se controla la velocidad a la que oscilan las cuchillas. Apriete el gatillo del acelerador con más fuerza para lograr una mayor velocidad de corte.

No aplique más presión que la necesaria para cortar el material. De este modo podrá aprovechar al máximo el tiempo de corte de cada carga de la batería y reducirá el número de cargas necesarias.

CORTE DE SETOS

CUÁNDO CORTAR

La época ideal para cortar setos depende del tipo de planta, pero normalmente es recomendable hacerlo durante períodos de crecimiento lento, cuando ya han terminado de florecer. Consulte a un profesional de un vivero local para que le aconseje sobre la poda de plantas concretas.

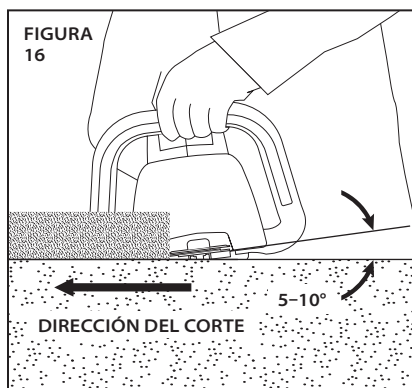
Cumpla todas las normas y regulaciones de ámbito local y nacional referentes a cortasetos.

CORTE BÁSICO

⚠ ADVERTENCIA: ASEGÚRESE SIEMPRE DE TENER BUEN APOYO Y SOSTENGA EL CORTASETOS CON FIRMEZA CON AMBAS MANOS MIENTRAS EL MOTOR ESTÉ EN FUNCIONAMIENTO.

Compruebe si hay objetos extraños en el seto antes de cortar, para evitar dañar las cuchillas. Quite cualquier objeto que pudiera impedir el corte.

Adopte una posición y un agarre adecuados y a continuación, arranque el cortasetos. Sujete el cortasetos con las cuchillas en un ángulo de 5-10° en la dirección del corte (Figura 16).



IMPORTANTE: OCASIONALMENTE LAS CUCHILLAS SE BLOQUEAN Y DEJAN DE MOVERSE CUANDO EL MATERIAL SE ATASCA EN LAS CUCHILLAS O CUANDO ESTAS ENTRAN EN CONTACTO CON UN CABLE O UNA VALLA DE ALAMBRE. CONSULTE LA SECCIÓN "DESATASCO DE LA CUCHILLA" PARA APRENDER A ARREGLAR ESTO.

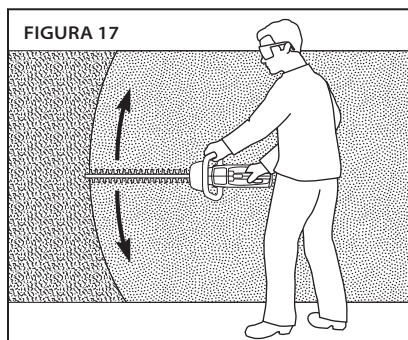
SECUENCIA DE CORTE

Si el seto está bien formado, centre el corte en el nuevo crecimiento hasta que el seto tenga la forma deseada.

Una vez quitadas las ramas grandes, utilice el cortasetos para cortar los laterales del seto a la longitud deseada. Corte la parte superior del seto en último lugar, una vez que haya terminado con los laterales.

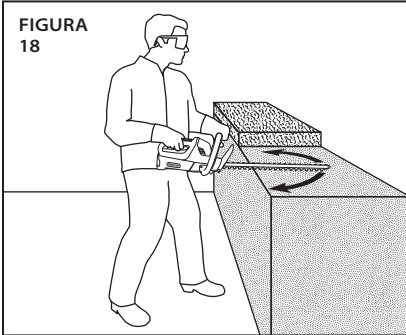
CORTE EN VERTICAL

Cuando corte los laterales del seto, empiece por la parte inferior del seto. Sujete el cortasetos con las cuchillas de corte en un ángulo de 5-10° en la dirección del corte. Baje la línea del seto haciendo un barrido lentamente hacia arriba y hacia abajo con el cortasetos formando un arco amplio (Figura 17).



CORTE EN HORIZONTAL

Cuando corte la parte superior del seto, empiece con el borde más próximo. Sujete el cortasetos con las cuchillas de corte en un ángulo de 5-10° en la dirección del corte. Baje la línea del seto haciendo un barrido lentamente hacia la izquierda y hacia la derecha con el cortasetos formando un arco amplio (Figura 18).



Si la parte superior del seto es demasiado ancha para cortarla de una pasada del cortasetos, no se incline sobre el seto para cortar el resto. En su lugar, haga una pasada por un lado del seto y, a continuación, corte el resto desde el otro lado del seto.

DESATASCO DE LA CUCHILLA

⚠ PRECAUCIÓN: quite siempre la batería antes de despejar las cuchillas para evitar que estas se activen accidentalmente.

⚠ PRECAUCIÓN: las cuchillas están afiladas. Utilice siempre guantes cuando retire el material de las cuchillas.

En ocasiones, cuando corte ramas "verdes", los restos de los cortes pueden atascarse entre las piezas en movimiento de las cuchillas y las piezas fijas. Cuando esto ocurre, las cuchillas dejan de moverse de repente. Esto también puede ocurrir si las cuchillas entran en contacto con material demasiado fuerte para cortarlo, como una valla de alambre. Este estado se conoce como atasco de la cuchilla.

Siga estas pautas para despejar el material de forma segura y eficaz.

- Utilice guantes.
- Quite la batería del cortasetos. Consulte la sección "Extracción de la batería".
- Elimine el material que impide el movimiento de las cuchillas.

MANTENIMIENTO Y LIMPIEZA

CORTASETOS

⚠ ADVERTENCIA: INSPECCIONE EL CORTASETOS. LA INSPECCIÓN REGULAR ES EL PRIMER PASO PARA UN MANTENIMIENTO ADECUADO. SIGA LAS PAUTAS QUE FIGURAN A CONTINUACIÓN PARA QUE SU SEGURIDAD Y SATISFACCIÓN SEAN LO MAYOR POSIBLES. SI IDENTIFICA ALGUNA PIEZA DAÑADA O DESGASTADA DE FORMA EXCESIVA, SUSTITÚYALA DE INMEDIATO. SI NO SE IDENTIFICAN Y SUSTITUYAN LAS PIEZAS DAÑADAS O DESGASTADAS SE PUEDEN PROVOCAR LESIONES PERSONALES GRAVES.

⚠ ADVERTENCIA: RETIRE LA BATERÍA DEL CORTASETOS ANTES DE INSPECCIONARLA, LIMPIARLA O REALIZAR EL MANTENIMIENTO. LAS HERRAMIENTAS QUE FUNCIONAN CON BATERÍA Y TIENEN LA BATERÍA INTRODUCIDA ESTÁN SIEMPRE ENCENDIDAS Y PUEDEN ARRANCAR DE FORMA ACCIDENTAL.

⚠ PRECAUCIÓN: CUANDO LIMPIE EL CORTASETOS, NO LO SUMERJA EN AGUA NI EN OTRO TIPO DE LÍQUIDO.

LIMPIEZA DEL CORTASETOS

- Quite el polvo, las hojas y los restos de hierba cortada del cortasetos.
- Limpie las ranuras de ventilación para garantizar un flujo de aire adecuado y prevenir el sobrecalentamiento.
- Limpie el cuerpo del cortasetos con un paño limpio, humedecido con agua y jabón suave.
- Nunca use limpiadores ni disolventes fuertes.

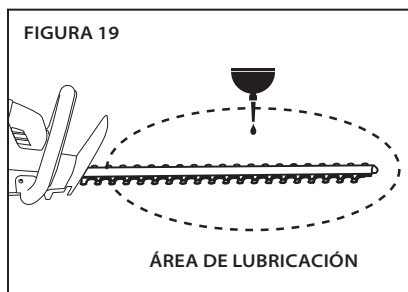
INSPECCIÓN DE LAS CUCHILLAS

Asegúrese de que las cuchillas estén afiladas, no tengan muescas o bordes romos, y que no se enganchan cuando se utiliza el cortasetos. Periódicamente lime la muescas y las rebabas de las cuchillas para garantizar que se mueven sin obstáculos. Las cuchillas afiladas que se mueven libremente permiten cortar con más facilidad que aquellas que son romas y se atascan.

CUIDADO DE LAS CUCHILLAS

En ocasiones, cuando corte setos con gran cantidad de savia o en entornos con mucho polvo, la acumulación de savia o de suciedad puede provocar que las cuchillas tiendan a pegarse. Para evitar que esto ocurra, aplique una fina capa lubricante líquido de silicona solo en la zona de lubricación de las cuchillas (Figura 19) y haga funcionar las cuchillas unos instantes para que el lubricante se distribuya.

IMPORTANTE: EVITE QUE EL LUBRICANTE GOTEE EN EL INTERIOR DEL CORTASETOS. NO UTILICE NUNCA PRODUCTOS DESENGRASANTES NI PRODUCTOS PARA ELIMINAR AGUA EN ESPRAY. NO LUBRIQUE EN EXCESO.



INSPECCIÓN DEL PROTECTOR DE LA PUNTA

Si lleva instalado un protector para la punta, verifique que no esté doblada o rota. Si el protector de la punta está doblado, puede impedir que las cuchillas se muevan. Si el protector de la punta está doblado o roto, solicite uno de recambio en un centro de reparaciones autorizado.

INSTALACIÓN DE LA FUNDA DE BARRA

Deslice la funda de barra sobre las cuchillas para mantenerlas limpias y para evitar que se enganchen o produzcan cortes a personas u objetos.

INSPECCIÓN DE LAS ASAS

Asegúrese de que las asas frontal y trasera están limpias, secas y sin grietas u otros daños. Si un asa dañada se rompe mientras se usa, se pueden producir lesiones graves.

INSPECCIÓN DEL PUERTO DE BATERÍA

Asegúrese de que el puerto de batería está limpio, seco y sin desperdicios. Si hay suciedad en el puerto de batería, esto puede impedir una correcta conexión eléctrica entre la batería y el cortasetos.

BATERÍA

⚠ ADVERTENCIA: DENTRO DE LA BATERÍA NO HAY NINGUNA PIEZA CUYO MANTENIMIENTO PUEDA REALIZAR EL USUARIO. NO LA DESMONTE.

Las baterías de ion-litio tienen una vida útil predeterminada. Si la cantidad de tiempo de corte por carga disminuye de forma notable, la batería está al final de su vida útil y se debe sustituir.

- Asegúrese de que la batería, incluidos los contactos, está limpia, seca y no muestra perforaciones, impactos ni otro tipo de daño. Las baterías rotas pueden provocar incendios o emitir productos químicos peligrosos.
- Limpie la suciedad de los contactos con un trapo seco y suave. La suciedad o el aceite pueden provocar una conexión eléctrica defectuosa que genere una pérdida de potencia.

CARGADOR

- Desenchufe el cargador de la toma de corriente.
- Limpie la suciedad de los contactos con un trapo seco y suave.

RESOLUCIÓN DE PROBLEMAS

Utilice esta tabla para ver soluciones para posibles problemas del cortasetos. Si estas sugerencias no solucionan el problema, consulte “Información sobre servicio y asistencia técnica”.

SÍNTOMA	POSIBLE CAUSA	MEDIDAS RECOMENDADAS
El motor no funciona o funciona de forma intermitente	La batería está descargada	Recárguela. Consulte la sección “Carga de la batería”.
	Interruptor del asa frontal o bloqueo del gatillo no activado	Agarre el interruptor del asa frontal y tire hacia atrás del bloqueo del acelerador antes de apretar el gatillo del acelerador. Consulte la sección “Arranque del cortasetos”.
	La batería no está completamente insertada.	Empuje la batería hacia dentro del puerto de batería hasta que encaje en su sitio.
	Contactos de la batería sucios	Extraiga la batería, elimine la suciedad del puerto de batería y, a continuación, limpie los contactos con un trapo limpio y seco.
	La batería está fría	Deje que la batería se caliente hasta que alcance la temperatura de funcionamiento mínima de 0 °C (32 °F).
El motor funciona, pero las cuchillas no se mueven	Un objeto impide el movimiento de las cuchillas	Consulte la sección “Desatasco de la cuchilla”.
El cortasetos no corta bien	Resina acumulada que impide el movimiento de las cuchillas	Consulte la sección “Cuidado de las cuchillas”.
	Cuchillas de corte romas	Pida a un profesional que afile las cuchillas.
La batería no se carga	La protección de la batería contra temperaturas altas/bajas está activada	Esto puede ocurrir cuando el cortasetos se deja en funcionamiento de forma continua o se expone a temperaturas ambiente elevadas. Deje que la batería alcance el rango de temperatura aceptable antes de cargarla. Consulte la sección “Carga de la batería”.
	Los contactos de la batería o del cargador están sucios o dañados	Inspeccione los contactos de la batería y del cargador. Límpielos tal como se describe en la sección “Mantenimiento y limpieza” y, a continuación, vuelva a introducirla en el cargador y asegúrese de que está encajada correctamente.
	La batería está llegando al final de su vida útil	Todas las baterías tienen una vida limitada. Si la batería tiene más de dos años de antigüedad o si la ha recargado con frecuencia, es posible que sea hora de reemplazarla. Sustitúyala solo por la batería especificada para este cortasetos.
	Fallo en el cargador	Acuda a un centro de reparaciones autorizado para que comprueben el funcionamiento.

SÍNTOMA	POSIBLE CAUSA	MEDIDAS RECOMENDADAS
Se obtiene poco tiempo de corte en relación con la carga de la batería	Cuchillas de corte romas	Pida a un profesional que afile las cuchillas.
	Hojas de corte desgastadas	Solicite unas cuchillas de recambio en un centro de reparaciones autorizado.
	Cuchillas de corte dobladas	Solicite unas cuchillas de recambio en un centro de reparaciones autorizado.
	La técnica de corte no es la adecuada	Siga las pautas de "Corte básico".
	Velocidad de corte mayor de la necesaria	Aplique menos presión al gatillo del acelerador.
	Resina acumulada que impide el movimiento de las cuchillas	Consulte la sección "Cuidado de las cuchillas".
	La batería no está completamente cargada	Consulte la sección "Carga de la batería".
El indicador del estado de carga muestra una luz naranja intermitente	Hay un cortocircuito en el cargador, la corriente del cargador es excesiva, se ha superado el límite de voltaje, hay un circuito abierto en la batería o un error en el tiempo de espera de carga/ precarga	<ol style="list-style-type: none"> 1. Asegúrese de que el cable de carga está conectado al cargador y a la toma de corriente. 2. Asegúrese de que el cargador esté recibiendo el voltaje correcto. 3. Pruebe a cargar otra batería diseñada para este cargador. <p>Si eso no soluciona el problema, llévelo a un centro de reparaciones autorizado para comprobar su funcionamiento.</p>

GARANTÍA Y SERVICIO

GARANTÍA

Blount, Inc. ofrece una garantía para todas las herramientas de batería, las baterías y los cargadores OREGON® registrados, durante un período de dos (2) años desde la fecha de compra original, y de un (1) año si se utilizan para fines comerciales. Esta garantía limitada se aplica a los productos fabricados por OREGON® Cordless Tool System. Durante el período de la garantía, Blount reemplazará o, a su discreción, reparará sin cargo alguno cualquier producto o pieza que Blount considere defectuosos en materiales o en fabricación al examinarlos, solo para el comprador original. El comprador deberá pagar todos los cargos de transporte y cualquier costo de retirar alguna pieza que deba sustituir en virtud de esta garantía.

CONSERVE LA FACTURA ORIGINAL

Adjunte la factura original de la compra inicial a este manual y a este archivo. Para obtener servicio técnico en virtud de la garantía, lleve el producto y la factura al distribuidor donde compró el producto. También puede ponerse en contacto con nosotros utilizando la información suministrada en "Servicio de atención al cliente por país".

INFORMACIÓN SOBRE SERVICIO TÉCNICO Y ASISTENCIA

Visítenos en Internet, en **OregonCordless.com**, para obtener información sobre los centros de reparación o póngase en contacto con nuestro departamento de atención al cliente para recibir asistencia o asesoramiento técnico adicional, y solicitar reparaciones o piezas de repuesto. Para obtener números de teléfono específicos de países, consulte la sección "Servicio de atención al cliente por país".

Por seguridad, solo utilice piezas de repuesto originales de fábrica en la herramienta eléctrica. Nuestro centro de reparación cuenta con personal capacitado para proporcionar soporte y asistencia adicional de forma efectiva para el ajuste, la reparación o la sustitución de todos los productos OREGON® Cordless Tool System.

DECLARACIÓN DE CONFORMIDAD CON LA CE

Blount International Inc. 4909 SE International Way, Portland Oregon, 97222 EE. UU.

DECLARA QUE LOS SIGUIENTES PRODUCTOS:

Modelos de cortasetos accionado por batería: **HT255**

Cargador de batería C600

CUMPLEN LAS SIGUIENTES DIRECTIVAS Y LOS SIGUIENTES ESTÁNDARES EUROPEOS:

DIRECTIVAS DE LA CE:

DIRECTIVA SOBRE MAQUINARIA 2006/42/CE

REPRESENTANTE CORPORATIVO:

CONTACTO DEL ARCHIVO TÉCNICO EUROPEO:



Kevin Cyrus
Director de Cumplimiento
de productos en materia de seguridad
Blount International Inc.
Portland OR 97222 EE. UU.

Sr. Marnix Kuypers
Blount International-Europe-S. A.
Rue Emile Francqui, 5
B 1435 Mont-Saint-Guibert
Bélgica

FECHA/LUGAR:

10 de julio de 2012, Portland OR

SISÄLLYSLUETTELO

SYMBOLIT JA ETIKETIT	212
TURVALLISUUSÄÄNNÖT	213
SÄHKÖTYÖKALUJEN YLEISIÄ TURVALLISUUSVAROITUKSIA	213
TYÖALUEEN TURVALLISUUS	213
SÄHKÖTURVALLISUUS	213
KÄYTTÄJÄN TURVALLISUUS	214
SÄHKÖTYÖKALUN KÄYTTÖ JA HUOLTO	215
HUOLTO	215
PENSASLEIKKURIN TURVALLISUUSVAROITUKSET	215
SÄILYTYS, KULJETUS JA HÄVITTÄMINEN	216
LATURIN TURVALLISUUS	218
TUOTTEEN TUNNISTUSTIEDOT	219
TEKNISET TIEDOT JA KOMPONENTIT	220
PENSASLEIKKURIN OSAT JA TERMIT	221
PENSASLEIKKURIN KÄYTTÖ	222
PAKETIN PURKAMINEN	222
LATURI JA AKKU	222
YLEISTOIMINNOT	224
PENSAS Aidan LEIKKAAMINEN	226
HUOLTO JA PUHDISTUS	228
PENSASLEIKKURI	228
AKKU	229
LATURI	229
VIANMÄÄRITYS	230
TAKUU JA HUOLTO	232
EY-MÄÄRÄYSTEN NOUDATTAMINEN	233
MAAKOHTAINEN ASIAKASPALVELU	418

SYMBOLIT JA ETIKETIT

SYMBOLI	NIMI	SELITYS
	2. LUOKAN RAKENNE	KAKSINKERTAISESTI ERISTETYT RAKENNUSTYÖKALUT
	TURVALLISUUSVAROITUS SYMBOLI	ILMOITTAAN, ETTÄ SEURAAVA TEKSTI SELITTÄÄ VAARAN, VAROITUKSEN TAI HUOMAUTUKSEN.
	LUE OHJEET	ALKUPERÄISESSÄ KÄYTTÖOPPAASSA ON TÄRKEITÄ TURVALLISUUS- JA KÄYTTÖOHJEITA. LUE OHJEET HUOLELLA JA NOUDATA NIITÄ.
	KÄYTÄ SUOJALASEJA	KÄYTÄ SUOJALASEJA PENSASLEIKKURIA KÄYTTÄESSÄSI.
	KÄYTÄ SUOJAKÄSINEITÄ	KÄYTÄ KÄSINEITÄ PENSASLEIKKURIA KÄYTTÄESSÄSI JA LEIKKUUTERIAÄ KÄSITELLESSÄSI.
	ÄÄNITEHO	ÄÄNITEHOTASO ON 74 DB.
	PITELY KÄHDELLÄ KÄDELLÄ	PITELE PENSASLEIKKURIA MOLEMMIN KÄSIN.
	PITELY YHDELLÄ KÄDELLÄ	ÄLÄ PITELE PENSASLEIKKURIA YHDELLÄ KÄDELLÄ.
	ÄLÄ POLTA	ÄLÄ ALTISTA LIEKEILLE.
	ÄLÄ HÄVITÄ	ÄLÄ HÄVITÄ TALOUSJÄTTEIDEN MUKANA. VIE VALTUUTETTUUN KIERRÄTYSKESKUKSEEN.
	ÄLÄ JÄTÄ SATEESEEN	ÄLÄ KÄYTÄ LATURIA MÄRISSÄ OLOSUHTEISSA.
	VAIN SISÄKÄYTTÖÖN	TARCOITETTU VAIN SISÄKÄYTTÖÖN.
	TARKISTA VIRTALÄHDE	TARKISTA LATURIN VIRTALÄHDE JA JOHTO SÄÄNNÖLLISESTI VAURIOIDEN VARALTA.
	KÄYTTÖLÄMPÖTILA	KÄYTÄ AKKUA AINOASTAAN LÄMPÖTILA-ALUEELLA 0-40 °C.
	LEIKKUUTYÖKALU	LEIKKUUTYÖKALU. ÄLÄ KOSKETA LEIKKUUTERIAÄ SAMMUTTAMATTA ENSIN PENSASLEIKKURIA JA IRROTTAMATTA AKKUA.

JOHDANTO

Tämä pensasleikkuri on suunniteltu säännölliseen kunnossapito- ja trimmaustyöhön. Sitä ei ole suunniteltu yli 19 mm (¾ tuumaa) paksujen oksien leikkaamiseen. Muu käyttö saattaa aiheuttaa loukkaantumisen ja on kielletty.

TURVALLISUUSSÄÄNNÖT

SÄHKÖTYÖKALUJEN YLEISIÄ TURVALLISUUSVAROITUKSIA

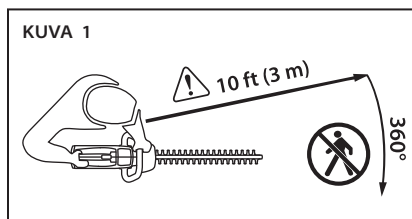
▲ VAROITUS: LUE JA YMMÄRRÄ KAIKKI TURVALLISUUSVAROITUKSET JA OHJEET. VAROITUSTEN JA OHJEIDEN LAIMINLYÖNNISTÄ VOI SEURATA SÄHKÖISKU, TULIPALO JA/TAI VAKAVA LOUKKAANTUMINEN.



TALLETA KAIKKI VAROITUKSET JA OHJEET TULEVAA KÄYTTÖÄ VARTEN. SANA "SÄHKÖTYÖKALU" VIITTAÄ VAROITUKSISSA VERKKOVIRRALLA (JOHTO) TAI AKULLA (JOHDOTON) TOIMIVAAN TYÖKALUUN.

TYÖALUEEN TURVALLISUUS

- Pidä työalue siistinä ja valoisana. Epäjärjestyksessä olevat ja pimeät alueet myötävaikuttavat onnettomuuksiin.
- Älä käytä sähkötyökaluja räjähdysalttiissa paikoissa, kuten helposti syttyvien nesteiden tai kaasujen tai pölyn läheisyydessä. Sähkötyökalat kipinöivät, mikä saattaa sytyttää pölyn tai höyryt.
- Pidä lapset ja sivulliset loitolla, kun käytät sähkötyökaluja (kuva 1). Häiriöt voivat saada koneen riistäytymään hallinnasta.



▲ VAROITUS: MÄÄRITÄ SIVULLISILLE 3 METRIN TURVALLISUUSVYÖHYKE ENNEN TÄMÄN LAITTEEN KÄYTTÖÄ.

Sivullisten turvallisuusvyöhyke on 3 metrin etäisyys käyttäjästä, jota lähempänä ulkopuoliset, lapset ja lemmikkieläimet eivät saa olla.

SÄHKÖTURVALLISUUS

- Pistokkeen tulee vastata pistorasiaa. Älä koskaan muunna pistoketta millään tavalla. Älä käytä maadoitettujen sähkötyökalujen kanssa minkäänlaisia sovitinpistokkeita. Alkuperäiset pistokkeet ja niitä vastaavat pistorasiat pienentävät sähköiskun vaaraa.
- Älä kosketa maadoitettuihin pintoihin, kuten putkiin, lämpöpattereihin, helloihin tai jääkaappeihin. Jos olet kosketuksessa maahan, sähköiskun vaara on suurempi.
- Älä altista sähkötyökaluja sateelle tai kosteudelle. Sähkötyökaluun joutunut vesi lisää sähköiskun vaaraa.
- Varo vahingoittamasta sähköjohtoa. Älä koskaan kannna tai vedä sähkötyökaluja johdosta tai irrota pistoketta vetämällä johdosta. Älä altista johtoa kuumuudelle, öljylle, teräville reunoille ja liikkuville osille. Vioittunut tai sotkuinen johto lisää sähköiskun vaaraa.
- Työskennellessäsi ulkona, käytä ulkokäyttöön sopivaa jatkojohtoa. Ulkokäyttöön sopivan johdon käyttö pienentää sähköiskun vaaraa.

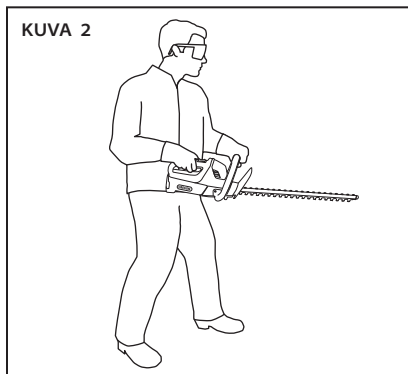
- Jos sähkötyökalua on pakko käyttää kosteissa tiloissa, käytä jäännösvirtalaitteella (RCD) tai vikavirtakatkaisimella (GFCI) suojattua pistorasiaa. Jäännösvirtalaitteen tai vikavirtakatkaisimen käyttö pienentää sähköiskun vaaraa.
- Jos johto vioittuu tai katkeaa, irrota se heti pistokkeesta.

KÄYTTÄJÄN TURVALLISUUS



- Ole valpas, katso mitä teet ja käytä maalaisjärkeä, kun käytät sähkötyökalua. Älä käytä sähkötyökalua väsyneenä tai huumeiden, alkoholin tai lääkkeiden vaikutuksen alaisena. *Tarkkaamattomuus sähkötyökalua käytettäessä saattaa johtaa vakavaan loukkaantumiseen.*
- Käytä henkilökohtaisia suojavarusteita. Käytä aina suojalaseja. *Suojalaitteet, kuten pölynaamari, luistamattomat suojakengät, kypärä ja kuulosuojaimet vähentävät loukkaantumisen vaaraa.*
- Älä anna koneen käynnistyä vahingossa. Varmista, että katkaisin on poissa päältä, ennen kuin kytket koneen virtalähteeseen ja/tai akkuun ja ennen kuin nostat tai kannat konetta. *Sähkötyökalun kantaminen sormi katkaisimella tai virran kytkeminen koneeseen, joka on päällä, saattaa johtaa onnettomuuksiin.*
- Irrota säätöavaimet ja jakoavaimet ennen sähkötyökalun käynnistystä. *Sähkötyökalun pyörivään osaan jätetty jako- tai säätöavain saattaa johtaa loukkaantumiseen.*

- Älä kurkota liian kauas. Säilytä aina kunnollinen jalansija ja tasapaino (kuva 2). *Tällöin sähkötyökalua on helpompi hallita odottamattomissa tilanteissa.*



- Pukeudu asianmukaisesti. Älä käytä väljiä vaatteita tai koruja. Pidä hiukset, vaatteet ja käsiineet etäällä liikkuvista osista. *Löysät vaatteet, korut ja pitkät hiukset saattavat tarttua liikkuviin osiin.*
- Jos laitetta varten on pölynpoisto- ja keräyslaite, kytke se asianmukaisesti ja käytä sitä oikein. *Pölyn kerääminen voi vähentää pölyyn liittyviä vaaroja.*
- Pitkällisen sähkötyökalujen käytön on raportoitu aiheuttavan suonisto-, lihas- ja hermostosairauksia (kuten tärinästä johtuva valkoinen sormi tai Raynaudin oire). *Jotta loukkaantumisriski olisi pienempi, noudata näitä ohjeita:*
 - Käytä käsiineitä ja pidä kädet ja keho lämpimänä.
 - Pitele pensasleikkuria tukevasti mutta älä käytä pitkällistä, liiallista painetta.
 - Pidä säännöllisin välein taukoja.

Normaalikäytön tärinä voi poiketa ilmoitetuista arvoista, riippuen leikattavasta materiaalista, leikkuujärjestelmän huollosta ja muista tekijöistä.

SÄHKÖTYÖKALUN KÄYTTÖ JA HUOLTO

- Älä pakota sähkötyökäluä. Käytä työhön sopivaa sähkötyökäluä.
Asianmukainen sähkötyökälu hoitaa työt paremmin ja turvallisemmin sillä vauhdilla, jota varten se on suunniteltu.
- Älä käytä sähkötyökäluä, jos se ei käynnisty ja sammu katkaisimesta.
Jos sähkötyökäluä ei voida hallita katkaisimella, se on vaarallinen ja vaatii korjaamista.
- Irrota pistoke virranlähteestä ja/tai akku työkonesta, ennen kuin teet säätöjä, vaihdat varusteita tai varastoit koneen. Tällaiset varotoimet vähentävät vaaraa, että kone käynnistyy vahingossa.



- Säilytä sähkötyökäluä poissa lasten ulottuvilta äläkä salli kenenkään käyttää laitetta perehtymättä ensin ohjeisiin. Sähkötyökäluä ovat vaarallisia harjaantumattomien käyttäjien käsissä.
- Huolla sähkötyökäluä. Tarkista, että liikkuvat osat on kohdistettu oikein ja liikkuvat vapaasti, että osia ei ole rikkoutunut eikä mikään muu seikka haittaa sähkötyökäluä toimintaa. Jos sähkötyökäluä vioittuu, korjaa se ennen käyttöä. Onnettomuudet johtuvat usein sähkötyökäluä huonosta huollosta.
- Pidä leikkuutyökäluä terävinä ja puhtaina. Asianmukaisesti huolletut leikkuutyökäluä, joiden leikkuupinnat ovat teräviä, eivät jumiudu helposti ja niitä on helppo hallita.
- Käytä työkonetta, lisävarusteita, teriä jne. näiden ohjeiden mukaisesti, ja huomioi työolosuhteet ja tehtävän laatu. Työkoneen käyttö muuhun kuin sille tarkoitettuun työhön voi aiheuttaa vaarallisia tilanteita.

HUOLTO

Huollata työkonetta pätevällä huoltajalla, joka käyttää ainoastaan asianmukaisia varaosia.

Tämä varmistaa, että sähkötyökäluä on turvallinen.

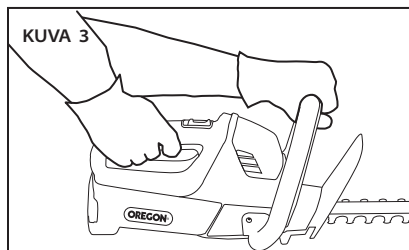
PENSASLEIKKURIN TURVALLISUUSVAROITUKSET



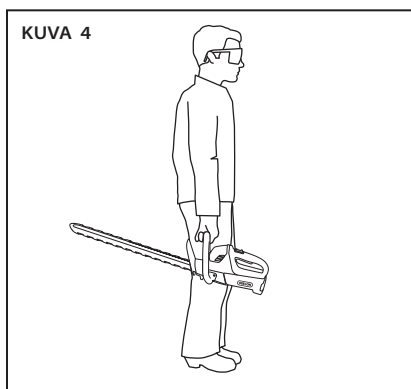
⚠ VAARA: PIDÄ KÄDET KAUKANA TERÄSTÄ. TERÄN KOSKETTAMINEN VOI AIHEUTTAA VAKAVAN VAMMAN.

⚠ VAROITUS: KÄYTÄ PENSASLEIKKURIA AINOASTAAN KAHVA JA KÄSISUOJUS ASIANMUKAISESTI ASENNETTUINA. PENSASLEIKKURIN KÄYTTÖ ILMAN ASIANMUKAISTA SUOJUSTA TAI KAHVAA VOI AIHEUTTAA VAKAVAN LOUKKAANTUMISEN.

- Käytä pensasleikkuria molemmin käsin. Vain yhden käden käyttö voi aiheuttaa hallinnan menetyksen ja johtaa vakavaan vammaan (kuva 3).



- Älä kosketa leikkuuterää millään ruumiinosalla. Älä poista leikkuumateriaalia tai pitele sitä terien liikkeessa. Varmista, että kytkin on poissa päältä jumittunutta materiaalia poistaessasi. Terä pysähtyy hitaasti laitteen sammuttua. *Tarkkaamattomuus pensasleikkuria käytettäessä saattaa johtaa vakavaan loukkaantumiseen.*
- Kanna pensasleikkuria kahvasta terä pysähdyksissä (kuva 4). Kun kuljetat pensasleikkuria tai varastoit sen, kiinnitä aina leikkurinsuojus. Pensasleikkurin asianmukainen käsittely ehkäisee leikkuuterän aiheuttamaa loukkaantumisvaaraa.



- Tartu sähkötyökaluun ainoastaan eristetyistä kosketuspinnosta, sillä leikkuuterä saattaa osua kätkeettyihin johtoihin tai omaan johtoonsa. *Jos leikkuuterä osuu sähköistettyyn johtoon, laitteen paljaat metalliosat voivat sähköistyä ja aiheuttaa käyttäjälle sähköiskun.*
- Pensasleikkurissa ei ole käyttäjän huollettavissa olevia osia. *Terän vaihto, huolto ja korjaus vaativat erikoiskoulutusta. Yhteyshetimit ilmoitetaan kohdassa "Huolto- ja tukitiedot".*

SÄILYTYS, KULJETUS JA HÄVITTÄMINEN

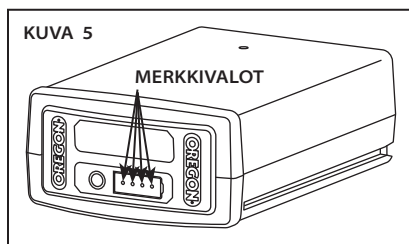
PENSASLEIKKURIN SÄILYTYS

- Voitele leikkuuterät. Lisätietoja on kohdassa "Huolto ja puhdistus".
- Irrota akku pensasleikkurista.
- Puhdista pensasleikkuri huolella.
- Asenna teränsuojus.
- Säilytä kuivassa paikassa.
- Pidä lasten ja lemmikkieläinten ulottumattomissa.

AKUN SÄILYTYS

Kun varastoit akun pitemmäksi kuin yhdeksäksi kuukaudeksi, noudata näitä ohjeita:

- Irrota akku pensasleikkurista tai laturista.
- Säilytä viileässä, kuivassa paikassa.
- Pidä lasten ja lemmikkieläinten ulottumattomissa.
- Jotta akku kestäisi pidempään, älä koskaan säilytä sitä täysin tyhjänä. (Kuva 5).



- Säilytä laitetta lämpötila-alueella -20–30 °C.



• LATURIN SÄILYTYS

- Irrota akku laturista.
- Irrota laturi virtalähteestä.
- Säilytä kuivassa paikassa.
- Pidä lasten ja lemmikkien ulottumattomissa.

Lisätietoja on kohdassa "Huolto ja puhdistus".

PENSASLEIKKURIN KULJETTAMINEN

Valmistele pensasleikkuri kuljetusta varten kuten on neuvottu kohdassa "Pensasleikkurin säilytys".

AKUN KULJETTAMINEN

Noudata asianmukaisia kansallisia säädöksiä kuljettaessasi litium-ion-akkuja. Tämä voi vaatia asianmukaisia merkintöjä.

PENSASLEIKKURIN JA LATURIN HÄVITTÄMINEN

OREGON®-tuote on suunniteltu ja valmistettu korkealuokkaisista materiaaleista ja komponenteista, jotka voidaan kierrättää ja jälleenkäyttää. Sähkölaitteet on hävitettävä erillään talousjätteistä tuotteen käyttöiän lopussa ja direktiivin 2002/95/EC mukaisesti. Euroopan yhteisössä on erillisiä keräysjärjestelmiä käytetyille sähkötuotteille. Hävitä tämä laite ympäristöystävällisellä tavalla paikallisessa jätehuollossa/kierrätyslaitoksessa.

AKUN HÄVITTÄMINEN

Älä hävitä akkua tavallisen talousjätteen mukana. Älä sytytä akkua tuleen. Paikallisilla jätehuolloilla ja kierrätyslaitoksilla on tiedot asianmukaisesta, ympäristösäädösten mukaisesta hävittämisestä ja kierrätyksestä.



AKUN TURVALLISUUS

⚠ VAARA: NÄIDEN TURVALLISUUSSÄÄNTÖJEN LAIMINLYÖNTI VOI SAADA AKUN VUOTAMAAN VAARALLISIA KEMIKAALEJA, YLIKUUMENTUMAAN, SAVUAMAAN, HALKEAMAAN, LEIMAHTAMAAN, RÄJÄHTÄMÄÄN JA/TAI SYTTYMÄÄN.

⚠ VAROITUS: ÄLÄ HÄVITÄ AKKUA TALOUSJÄTTEIDEN SEASSA TAI POLTTAMALLA. LITIUM-ION-AKUT ON ANNETTAVA PAIKALLISEN VALTUUTETUN KIERRÄTYSLAITOKSEN KIERRÄTETTÄVÄKSI.

⚠ VAROITUS: ÄLÄ ALTISTA AKKUA LIIALLISELLE KUUMUDELLE, KUTEN AJONEUVON SISÄLLÄ KUUMALLA SÄÄLLÄ. TÄLLAINEN ALTISTUMINEN VOI HEIKENTÄÄ SUORITUSKYKYÄ JA/TAI TOIMINTAIKÄÄ. ÄLÄ YRITÄ LADATA MUITA KUIN LADATTAVIA AKKUJA.

- Älä pura tai muunna akkua. Se voi vahingoittaa turvallisuusominaisuuksia.
- Älä yhdistä positiivista (+) ja negatiivista (-) napaa metalliesineisiin tai varastoi akkua metalliesineiden, kuten kolikkojen ja ruuvien, seassa. Se saattaa aiheuttaa oikosulun, joka kehittää riittävästi kuumuutta palovamman aiheuttamiseen.
- Älä polta akkua tai altista sitä liialliselle kuumuudelle. Se voi aiheuttaa eristyksen sulamisen ja vahingoittaa turvallisuusominaisuuksia.
- Älä käytä, lataa tai varastoi yli 80 °C asteen kuumuudessa. Tämä voi aiheuttaa ylikuumenemista ja sisäisen oikosulun.
- Älä altista erittäin kosteille olosuhteille. Tämä voi vahingoittaa turvallisuusominaisuuksia, aiheuttaa latauksen erittäin suurella virralla ja jännitteellä ja johtaa epätavallisiin kemiallisiin reaktioihin.

- Käytä ainoastaan akulle suunniteltua laturia ja noudata kohdassa "Laturin turvallisuus" esitettyjä varotoimia. Muun laturin käyttö vahingoittaa turvallisuusominaisuuksia, aiheuttaa latauksen erittäin suurella virralla ja jännitteellä ja johtaa epätavallisiin kemiallisiin reaktioihin.
- Älä käytä OREGON®-merkkisiä akkuja muissa kuin saman merkkisissä työkaluissa.
- Älä iske, puhkaise tai heitä akkua äläkä käytä vioittunutta tai epämuotoista akkua.
- Jos lataus ei onnistu, älä yritä ladata uudelleen. Jos akusta tulee hajua, se kuumenee tai sen väritys muuttuu tai se vaikuttaa epänormaalilta käytössä, ladattaessa tai varastoituna, poista se heti pensasleikkurista tai laturista.
- Akusta vuotava syövyttävä neste voi vahingoittaa silmiä ja ihoa ja olla myrkyllisiä nieltynä.

LATURIN TURVALLISUUS

TÄRKEITÄ TURVALLISUUSOHJEITA

▲ VAROITUS: TÄTÄ LAITETTA EI OLE TARKOITETTU HENKILÖILLE (MUKAAN LUKIEN LAPSET), JOIDEN FYYNINEN TAI HENKINEN SUORITUSKYKY ON HEIKENTYNYT TAI JOTKA EIVÄT OLE PEREHTYNEET LAITTEEN KÄYTTÖÖN, ELLEI HEIDÄN TURVALLISUUDESTAAN VASTUUSSA OLEVA HENKILÖ VALVO HEITÄ LAITTEEN KÄYTTÖSSÄ. LAPSIA ON PIDETTÄVÄ SILMÄLLÄ, JOTTA HE EIVÄT PÄÄSE LEIKKIMÄÄN LAITTEILLA.

▲ VAROITUS: SÄHKÖISKUN VAARA. KUN KÄYTÄT TUOTETTA ULKOTOILOISSA, KYTKE SE AINOASTAAN PEITETTYYN A-LUOKAN GFCI-VARMISTETTUUN, SÄÄLTÄ SUOJATTUUN PISTORASIAAN. JOS SELLAISTA EI OLE, PYYDÄ PÄTEVÄÄ SÄHKÖASENTAJAA ASENTAMAAN SELLAINEN. VARMISTA, ETTÄ VIRTAYKSIKKÖ JA JOHTO EIVÄT ESTÄ PISTORASIAN KANNEN SULKEUTUMISTA.

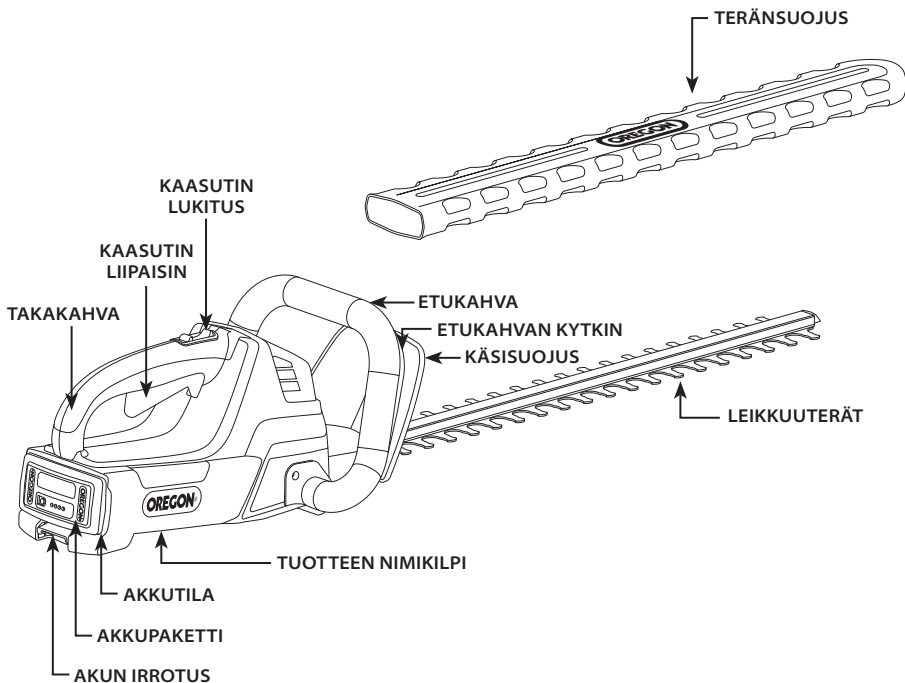
▲ VAROITUS: KÄYTÄ TÄTÄ LATURIA AINOASTAAN MUKANA TOIMITETUN VIRTAJOHDON KANSSA. VARMISTA, ETTÄ PISTOKE SOPII PISTORASIAAN ASIANMUKAISESTI.

Sähkökäyttöisiä laitteita käytettäessä tulee aina ryhtyä perustaviin varotoimiin, mukaan lukien seuraavat:

- Lue kaikki turvallisuussäännöt ennen käyttöä ja noudata niitä. *Lue kaikki tuotteeseen merkityt ja tuotteen mukana tulleet ohjeet ja noudata niitä.*
- Säilytä nämä ohjeet.
- Älä käytä jatkojohtoa.
- Pidä huolta sähköjohdosta. Älä koskaan kannata tai vedä sähkötyökalua johdosta tai irrota pistoketta vetämällä johdosta. Älä altista johtoa kuumuudelle, öljylle, teräville reunoille ja liikkuville osille. *Vioittunut tai sotkuinen johto lisää sähköiskun vaaraa.*
- Älä jätä laturia sateeseen. *Vain sisäkäyttöön.*
- Älä käytä 3 metrin säteellä uima-altaasta tai lammikosta.
- Älä käytä kylpyhuoneessa.

TUOTTEEN TUNNISTUSTIEDOT

TUNNE PENSASLEIKKURISI



HUOM. Toimitetut tuotteet luetellaan kohdassa "Pakkauksen purkaminen".

TEKNISET TIEDOT JA KOMPONENTIT

VARAOSAT	OSANUMERO
AKKU, MALLI B400E	548206
JOHDOLLA VARUSTETTU LATURI, MALLI C600	EU - 554933 UK - 554872 AU/NZ - 560663
JOHDOLLA VARUSTETTU LATURI, MALLI C750	EU - 558697 UK - 558698 AU/NZ - 558699
LATURI, MALLI C600	
TULO	100-240V~ 50-60HZ 60W
LÄHTÖ	41,5V _{DC} 1,25A
VIRTAJOHTO	EU - 547383 UK - 547384 AU/NZ - 559380
AKKU, MALLI B400E	
PAINO	1,23 kg
TYYPPI	LITIUM-ION
NIMELLISJÄNNITE	+37 VDC
KÄYTTÖLÄMPÖTILA	0-40 °C
NIMELLISKAPASITEETTI	2,4 Ah / 89 Wh
LATAUSAIKA (KESKIM.)	120 MINUUTTIA
PENSASLEIKKURI	
TERÄN PITUUS	600 mm (24 tuumaa)
TERÄN TYYPPI	KAKSISUUNTAINEN
TERÄN SUURIN LEIKKUUNOPEUS	2750 ISKUA MINUUTISSA
SUURIN LEIKKUUSÄDE	ENINTÄÄN 19 mm (3/4 tuumaa)
PAINO MALLIN B400E KANSSA	4,4 kg
ÄÄNENTEHO	74 dB L _{WA} (K, 0,18 dB)
TÄRINÄ	1,16 m/s ² (K, 0,26 m/s ²)

PENSASLEIKKURIN OSAT JA TERMIT

Terän juuttuminen: Tila, jossa leikkuuterä ei liiku sen takia, että leikkuuterien liikkuvien ja kiinteiden osien väliin on jäänyt materiaalia.

Sivullisten turvallisuusvyöhyke: 3 metrin säde käyttäjän ympärillä, jota lähemmäs ulkopuoliset, lapset ja lemmikit eivät saa tulla.

Leikkuuterät: Sarja teroitettuja pintoja, jotka työntyvät ulos pensasleikkurin edestä ja liikkuvat edestakaisin leikaten pensaita.

Leikkuaika: Ihanteellinen aika leikata pensaita riippuu kasvityypistä, mutta tavallisesti on hyvä periaate trimmata hitaan kasvun aikana, kukinnan jälkeen. Kysy paikallisesta kasvitarhasta vinkkejä tiettyjen kasvien trimmauksesta.

Leikkuunopeus: Pensasleikkurin leikkuunopeus on säädettävissä. Leikkuu nopeutuu, kun liipaisinta painetaan lujemmin. Latauskohtainen leikkuaika voidaan maksimoida käyttämällä vain niin suurta leikkuunopeutta kuin materiaalin leikkaaminen edellyttää.

Etukahva: Pensasleikkurin etuosassa oleva tukikahva.

Etukahvan kytkin: U:n muotoinen kytkin, joka kulkee etukahvaa pitkin ja estää liipaisimen tahattoman käytön ennen manuaalista aktivointia.

Käsisuojus: Rakenteellinen este pensasleikkurin etukahvan ja leikkuuterien välissä.

Tuore kasvu: Kasvin tuorein kasvu. Se on tavallisesti väriltään vaaleampi, vähemmän puumainen ja taipuisampi kuin kasvin muut osat.

Takahahva: Pensasleikkurin takaosassa, liipaisimen kohdalla sijaitseva tukikahva.

Liipaisin: Leikkuuterien nopeutta säättävä laite.

Liipaisimen lukitus: Siirrettävä este, joka estää pensasleikkurin tahattoman käynnistymisen ennen manuaalista käynnistystä.

PENSASLEIKKURIN KÄYTTÖ

PAKETIN PURKAMINEN

MITÄ PAKETTI SISÄLTÄÄ?

Pensasleikkuri toimitetaan täysin koottuna. Pensasleikkurin toimitukseen kuuluvat seuraavat tuotteet:

- Pensasleikkuri
- Teränsuojus
- Käyttöopas
- Laturi ja virtajohto (jos kuuluvat toimitukseen)
- Akku (jos kuuluu toimitukseen)

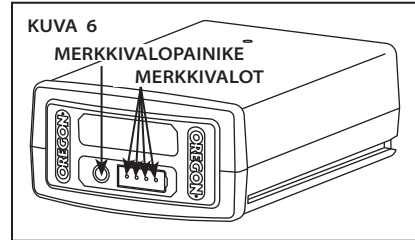
Kun olet ottanut pensasleikkurin pakkauksesta, tarkasta se huolella varmistaaksesi, että se ei ole vaurioitunut kuljetuksen aikana ja että mitään osia ei puutu. Jos jotain osia on vioittunut tai puuttuu, älä käytä pensasleikkuria. Pyydä varaosa OREGON® Cordless Tool Systemiltä. Maakohtaiset puhelinnumerot ovat kohdassa "Maakohtainen asiakaspalvelu".

LATURI JA AKKU

▲ VAROITUS: ÄLÄ LATAA AKKUA SATEESSA.

AKUN LATAUSTASON MERKKIVALO

Litium-ion-akussa on lataustason merkkivalo. Voit testata akun lataustason painamalla akun kyljessä olevaa ilmaisupainiketta (kuva 6).



Valo ei pala: lataa.

Yksi vakaa vihreä valo:
alle 25 % lataus.

Lataa akku ennen käyttöä.

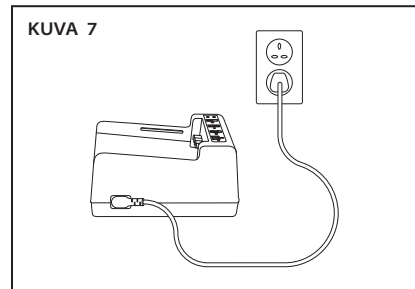
Kaksi vakaata vihreää valoa:
26–50 % ladattu.

Kolme vakaata vihreää valoa:
51–75 % ladattu.

Neljä vakaata vihreää valoa:
76–100 % ladattu.

LATURIN KYTKEMINEN

Kytke laturin johto laturiin ja asianmukaiseen pistorasiaan (kuva 7).



Käytä ainoastaan laturin mukana toimitettuja johtoja. Tarkista ennen ensimmäistä käyttöä, että pistoke vastaa pistorasiaa.

LATURIN LATAUSTILAN MERKKIVALO

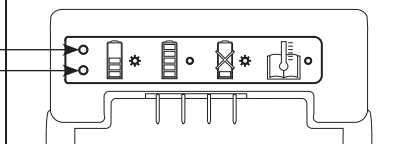
Akkulaturissa on lataustilan merkkivalo, joka ilmoittaa lataustilan ja olosuhteet, jotka voivat hidastaa latausta tai estää sen (kuva 8).

Huom. Valot eivät pala ennen kuin akku asetetaan laturiin.

Vilkkuva vihreä valo: vika.
Mahdollisia syitä on useita. Katso tämän käyttöoppaan kohta "Vianmääritys".

Vakaa oranssi valo: akun lämpötila ei ole hyväksyttävällä alueella (0–40 °C). Anna akun saavuttaa hyväksyttävä lämpötila ennen lataamista. Akku voidaan jättää laturiin lämpötilan tasaantuessa. Lataus alkaa, kun asianmukainen lämpötila on saavutettu.

KUVA 8



Vilkkuva vihreä valo: akku latautuu.

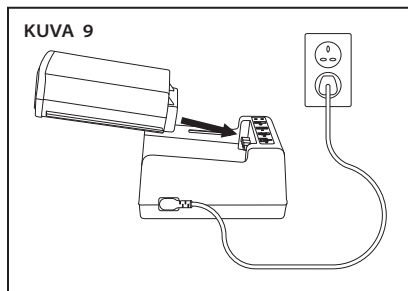
Tasainen vihreä valo: akku on käyttövalmis.

AKUN LATAAMINEN

VAROITUS: ASIANMUKAISTEN LATAUSTOIMENPITEIDEN LAIMINLYÖNTI VOI AIHEUTTAA YLIJÄNNITTEEN, YLIVIRRAN, HALLINNAN MENETYKSEN LATAUKSEN AIKANA, VAARALLISEN KEMIKAALIVUODON, KUUMENEMISEN, HALKEAMISEN JA TULIPALON.

Kun laturin johto on kytkettynä laturiin ja pistorasiaan, kohdista akun urat laturin kiskoihin ja työnnä akku laturiin siten, että se istuu kunnolla (kuva 9).

KUVA 9

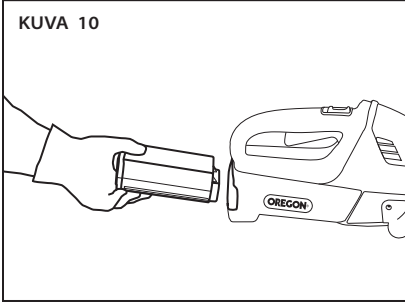


Tarkista latausolosuhteet lataustilan merkkivalosta.

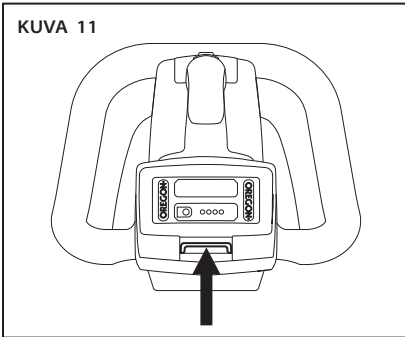
AKUN ASETTAMINEN LATURIIN JA IRROTTAMINEN

Käytä ainoastaan OREGON®-merkkisiä akkuja, jotka mainitaan näissä käyttöohjeissa.

Kohdista akun ura akkutilan kiskoihin. Aseta akku tukevasti pensasleikkurin akkutilaan ja paina alas, kunnes se napsahtaa paikoilleen (kuva 10).



Voit poistaa akun nostamalla akun vapautussalppaa ja irrottamalla akun (kuva 11).

**YLEISTOIMINNOT**

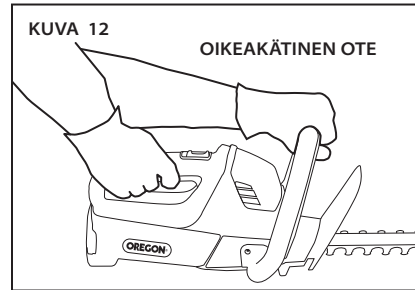
VAROITUS: KÄYTÄ AINA ASIANMUKAISIA KÄSINEITÄ JA SUOJALASEJA.

KÄYTTÖLÄMPÖTILA

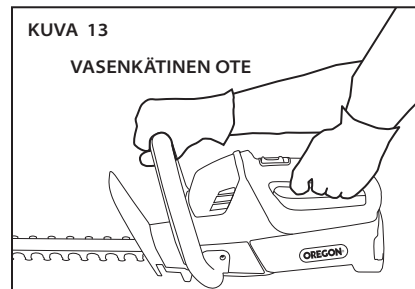
Tämä pensasleikkuri on suunniteltu toimimaan lämpötila-alueella 0–40 °C.

OTE

Tartu laitteeseen aina kaksin käsin. Oikeakätisessä käytössä aseta pensasleikkuri tukevalle tasapinnalle ja ota kiinni etukahvasta vasemmalla kädellä ja takakahvasta oikealla. Kiedo sormet etukahvan päälle ja peukalo sen alle (kuva 12).



Vasenkätisessä käytössä ota etukahvasta kiinni oikealla kädellä ja takakahvasta vasemmalla (kuva 13).



ASENTO

Seiso molemmat jalat kiinteällä alustalla painon jakautuessa jaloille tasaisesti.

Älä kurota liian kauas äläkä seiso tikkailla, keittiöjakkaralla tai millään korokkeella, joka ei ole täysin tukeva.



Pitele pensasleikkuria mahdollisimman lähellä vartaloa pitääksesi sen hallinnassa (kuva 14).

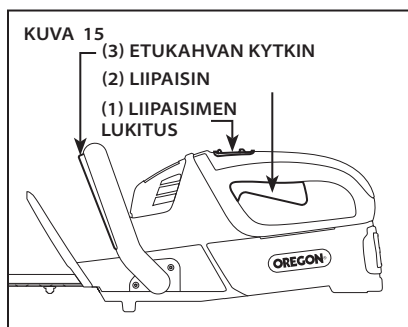


PENSASLEIKKURIN PYSÄYTTÄMINEN

Pysäytä pensasleikkuri vapauttamalla liipaisin.

PENSASLEIKKURIN KÄYNNISTÄMINEN

Ota tukevasti kiinni etu- ja takakahvasta. Vedä liipaisimen lukitus (1) taakse peukalolla (kuva 15). Paina liipaisinta (2), kunnes leikkuuterät liikkuvat toivotulla nopeudella. Etukahvan kytkin (3) on turvallisuusominaisuus; pensasleikkuri ei käynnisty, jos kytkin ei ole aktivoitu.



LEIKKUUTERÄN NOPEUDEN HALLINTA

Liipaisin säättää leikkuuterien liikenopeutta. Leikkuu nopeutuu, kun liipaisinta painetaan lujemmin.

Käytä pienintä materiaalin leikkaamiseen vaadittua painetta. Tämä auttaa maksimoimaan akun latauskohtaisen leikkuuajan ja vähentää vaadittujen latauskertojen määrää.

PENSAS Aidan LEIKKAAMINEN

OIKEA AIKA LEIKATA

Ihanteellinen aika leikata pensaita riippuu kasvityypistä, mutta tavallisesti on hyvä periaate trimmata hitaan kasvun aikana, kukinnan jälkeen. Kysy paikallisesta kasvitarhasta vinkkejä tiettyjen kasvien trimmauksesta.

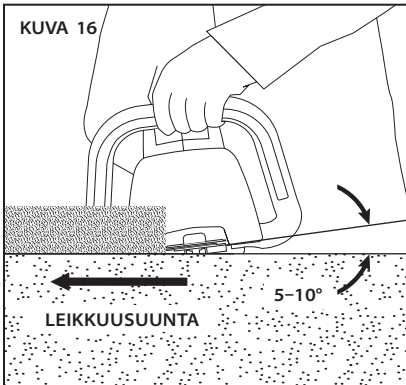
Noudata kaikkia kansallisia ja paikallisia pensaiden leikkuuta koskevia sääntöjä ja määräyksiä.

LEIKKAAMISEN PERUSTEET

▲ VAROITUS: SEISO AINA TUKEVASTI JA PITELE PENSASLEIKKURIA LUJASTI MOLEMMIN KÄSIN, KUN MOOTTORI ON KÄYNNISSÄ.

Tarkista ennen leikkuuta, että pensasaidassa ei ole vierasesineitä, jotta terät eivät vioitu. Poista esineet, jotka voivat häiritä leikkaamista.

Ota asianmukainen ote ja asento ja käynnistä pensasleikkuri. Pitele pensasleikkuria leikkuuterät 5–10° kulmassa leikkuusuuntaan nähden (kuva 16).



TÄRKEÄÄ: LEIKKUUTERÄT JUMITTUVAT JOSKUS JA PYSÄHTYVÄT, KUN MATERIAALIA JUMITTUU LEIKKUUTERÄÄN TAI TERÄN KOSKETTAESSA RAUTALANKA- TAI KETJUAITAA. KORJAA TILANNE KOHDAN "TERÄN JUMITTUMISEN KORJAAMINEN" MUKAISESTI.

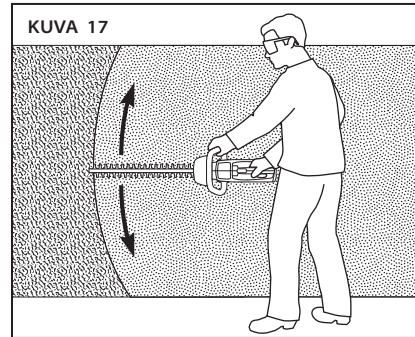
LEIKKUJÄRJESTYS

Jos pensasaita on hyvin kasvatettu, keskity trimmaamaan uutta kasvua, kunnes aita on halutun muotoinen.

Kun suuret oksat on poistettu, trimmaa pensasaidan sivut pensasleikkurilla halutun pituisiksi. Trimmaa pensasaidan huippu lopuksi, sivujen jälkeen.

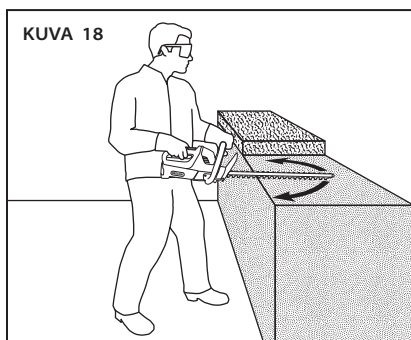
PYSTYSUUNTAINEN LEIKKAAMINEN

Kun leikkaat pensasaidan sivuja, aloita alhaalta. Pitele pensasleikkuria leikkuuterät 5–10° kulmassa leikkuusuuntaan nähden. Etene aitaa pitkin pyyhkien pensasleikkuria hitaasti ylös ja alas leveässä kaaressa (kuva 17).



VAAKASUUNTAINEN LEIKKAAMINEN

Kun leikkaat pensasaidan huippua, aloita läheltä reunaa. Pitele pensasleikkuria leikkuuterät 5–10° kulmassa leikkuusuuntaan nähden. Etene aitaa pitkin pyyhkien pensasleikkuria hitaasti vasemmalle ja oikealle leveässä kaarissa (kuva 18).



Jos pensasaita on liian leveä leikattavaksi pensasleikkurin yhdellä pyyhkäisyllä, älä kurota pensasaidan päälle leikataksesi loput. Leikkaa sen sijaan ensin yksi puoli ja sitten toinen puoli.

TERÄN JUMITTUMISEN KORJAAMINEN

▲ VAROITUS: IRROTA AKKU AINA ENNEN LEIKKUUTERIEIN PUHDISTAMISTA, JOTTA NE EIVÄT AKTIVOIDU VAHINGOSSA.

▲ VAROITUS: LEIKKUUTERÄT OVAT TERÄVIÄ. KÄYTÄ AINA KÄSINEITÄ PUHDISTAESSASI MATERIAALIA LEIKKUUTERISTÄ.

Joskus kun leikataan joustavia, ”vihreitä” oksia, leikkuujätettä saattaa jumittua leikkuuterien liikkuvien osien ja kiinteiden väliin. Kun näin tapahtuu, leikkuuterät voivat äkisti lakata liikkumasta. Näin voi käydä myös, jos leikkuuterät koskettavat materiaalia, jonka läpi ne eivät pysty leikkaamaan, kuten ketjuaitaa. Tällöin terä on jumittunut kiinni.

Poista materiaali turvallisesti ja tehokkaasti näiden ohjeiden mukaan.

- Käytä käsineitä.
- Irrota akku pensasleikkurista. Katso kohtaa ”Akun irrottaminen”.
- Poista materiaali, joka estää leikkuuteriä liikkumasta.

HUOLTO JA PUHDISTUS

PENSASLEIKKURI

⚠ VAROITUS: TARKASTA PENSASLEIKKURI. SÄÄNNÖLLINEN TARKASTUS ON ASIANMUKAISEN HUOLLON ENSIMMÄINEN VAIHE. MAKSIMOI TURVALLISUUS JA TYYTYVÄISYYS NOUDATTAMALLA ALLA OLEVIA OHJEITA. VAIHDATA KAIKKI VIOITTUNEET JA LIIAN KULUNET OSAT VÄLITTÖMÄSTI. JOS VIOITTUNEITA JA KULUNEITA OSIA EI HAVAITA JA VAIHDETA, SEURAUKSENA VOI OLLA VAKAVA LOUKKAANTUMINEN.

⚠ VAROITUS: IRROTA AKKU PENSASLEIKKURISTA ENNEN TARKASTUSTA, PUHDISTUSTA JA HUOLTOA. AKKUKÄYTTÖINEN LAITE, JONKA AKKU ON PAIKOILLAAN, ON AINA PÄÄLLÄ JA VOI KÄYNNISTYÄ VAHINGOSSA.

⚠ VAROITUS: ÄLÄ PUHDISTA PENSASLEIKKURIA UPOTTAMALLA SE VETEEN TAI MUUHUN NESTEeseen.

PENSASLEIKKURIN PUHDISTAMINEN

- Pyyhi pöly, lehdet ja leikkuujätteet pensasleikkurista.
- Puhdista tuuletusaukot asianmukaisen ilmavirran takaamiseksi ja ylikuumentumisen estämiseksi.
- Pyyhi käyttöpää puhtaalla liinalla, joka on kostutettu laimeaan saippuaveteen.
- Älä käytä kovia puhdistusaineita tai liuottimia.

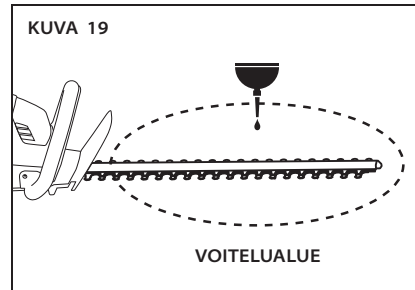
TARKASTA LEIKKUUTERÄT.

Tarkasta, että leikkuuterät ovat terävät, että niissä ei ole lohkeamia tai tylsiä reunoja ja että ne eivät takerru tai kosketa reunoja pensasleikkurin käytön aikana. Viilaa lovet ja särmät teristä säännöllisesti taataksesi niiden vapaan liikkumisen. Terävät ja vapaasti liikkuvat leikkuuterät leikkaavat helpommin kuin tylsät ja takertelevat.

TERIEN HOITO

Kun leikkaat pensasaitoja, joissa on paljon mahlaa tai pölyä, nämä aineet voivat kertyä teriin ja saada ne juuttumaan. Voit estää sen puhdistamalla terät ja levittämällä ohuen kerroksen silikonivoiteluainetta terien voitelualueelle (kuva 19) ja käyttämällä teriä pikaisesti, jotta voiteluaine jakaantuu tasaisesti.

TÄRKEÄÄ: ÄLÄ ANNA VOITELUAINEN VUOTAA PENSASLEIKKURIN KOTELON SISÄÄN. ÄLÄ KOSKAAN KÄYTÄ RASVANPOISTOAINETA TAI VETTÄ POIS PUHALTAVIA TUOTTEITA. ÄLÄ VOITELE LIIAKSI.



TARKASTA KÄRJENSUOJUS

Jos laitteessa on kärjensuojus, varmista että se ei ole taipunut tai rikkoutunut. Taipunut kärjensuojus voi estää leikkuuterien vapaan liikkeen. Jos kärjensuojus on taipunut tai rikkoutunut, vaihdata se hyväksytyssä huollossa.

ASENNA TERÄNSUOJUS

Työnnä teränsuojus leikkuuterien päälle pitääksesi ne puhtaina ja estääksesi niitä takertumasta ja leikkaamasta ihmisiä ja esineitä.

TARKASTA KAHVAT

Varmista, että sekä etu- että takakahva ovat puhtaat ja kuivat ja että niissä ei ole halkeamia tai muita vaurioita. Jos vioittunut kahva rikkoutuu kesken käytön, seurauksena voi olla vakava loukkaantuminen.

TARKASTA AKKUTILA

Varmista, että akkutila on puhdas ja kuiva ja että siinä ei ole roskia. Akkutilassa olevat roskat voivat haitata sähkökytkentää akun ja pensasleikkurin välillä.

AKKU

⚠ VAROITUS: AKUN SISÄLLÄ EI OLE KÄYTTÄJÄN HUOLLETTAVISSA OLEVIA OSIA. ÄLÄ PURA.

Litium-ion-akuilla on rajoitettu käyttöikä. Jos leikkuaika latauskertaa kohden lyhenee huomattavasti, akku on elinkaarensa lopussa ja tulee vaihtaa.

- Varmista, että akku, mukaan lukien sen kontaktit, on puhdas ja kuiva ja että siinä ei ole merkkejä rei'istä, iskuista tai muista vaurioista. Rikkoutuneet akut voivat aiheuttaa tulipalon ja vapauttaa vaarallisia kemikaaleja.
- Puhdista likaiset kontaktit pehmeällä, kuivalla liinalla. Lika ja öljy voivat heikentää sähkökytkentää, johtaen tehon menetykseen.

LATURI

- Irrota laturi pistorasiasta.
- Puhdista likaiset kontaktit pehmeällä, kuivalla liinalla.

VIANMÄÄRITYS

Tässä taulukossa luetellaan ratkaisuehdotuksia pensasleikkurin mahdollisiin ongelmiin. Jos ehdotus ei ratkaise ongelmaa, katso ”Huolto- ja tukitiedot”.

OIRE	MAHDOLLINEN SYY	TOIMINTASUOSITUKSET
Moottori ei käy tai käy epätasaisesti	Akku purkautunut	Lataa. Katso ”Akun lataaminen”.
	Etukahvan kytkin tai liipaisimen lukitus ei ole aktivoitu	Tartu etukahvan kytkimestä ja vedä liipaisimen lukitusta taaksepäin ennen liipaisimen painamista. Katso ”Pensasleikkurin käynnistäminen”.
	Akku ei ole kunnolla paikoillaan	Työnnä akkua akkutilaan, kunnes se napsahtaa paikoilleen.
	Akun kontaktit ovat likaiset	Irrota akku, poista roskat akkutilasta ja puhdista kontaktit puhtaalla, kuivalla liinalla.
	Akku on kylmä	Anna akun lämmetä minimikäyttölämpötilaan 0 °C.
Moottori käy mutta terät eivät liiku	Kappale estää leikkuuterien liikkeen	Katso ”Terän jumittumisen korjaaminen”.
Pensasleikkuri ei leikkaa asianmukaisesti	Kerääntynyt pihka estää leikkuuterän liikkeen	Katso ”Terien hoito”.
	Leikkuuterät ovat tylsät	Anna leikkuuterät ammattilaisen teroitettavaksi.
Akku ei lataannu	Akun yli/ alilämpötilansuojaus on aktivoitunut	Näin voi tapahtua, jos pensasleikkuria käytetään jatkuvasti tai jos se altistuu korkealle ympäristölämpötilalle. Anna akun saavuttaa hyväksyttävä lämpötila ennen lataamista. Katso ”Akun lataaminen”.
	Akun tai laturin kontaktit ovat vioittuneet	Tarkista sekä akun että laturin kontaktit. Puhdista kohdan ”Huolto ja puhdistus” mukaisesti ja aseta akku laturiin varmistaen, että se istuu kunnolla.
	Akku on elinkaarensa lopussa	Kaikilla akuilla on rajoitettu käyttöikä. Jos akku on yli kaksi vuotta vanha tai sitä on ladattu säännöllisesti, voi olla aika vaihtaa se. Vaihda vain pensasleikkurille määritettyyn akkuun.
	Laturi on viallinen	Vie se tarkistettavaksi hyväksytyyn huoltoon.

OIRE	MAHDOLLINEN SYY	TOIMINTASUOSITUKSET
Lyhyt leikkuaika akun latauskertaa kohden	Leikkuuterät ovat tylsät	Anna leikkuuterät ammattilaisen teroitettavaksi.
	Kuluneet leikkuuterät	Vaihdata leikkuuterät hyväksytyssä huollossa.
	Taipuneet leikkuuterät	Vaihdata leikkuuterät hyväksytyssä huollossa.
	Virheellinen leikkuutekniikka	Noudata ohjeita kohdassa "Leikkaamisen perusteet".
	Tarpeellista suurempi leikkuunopeus	Paina liipaisinta heikommin.
	Kerääntynyt pihka estää leikkuuterän liikkeen	Katso "Terien hoito".
	Akku ei ole täysin ladattu	Katso "Akun lataaminen".
Vilkkuva oranssi valo laturin tilan merkkivalossa	Laturin oikosulku, laturin ylivirta, ylijänniterajoitus, avoin piiri akussa tai latauksen/esilatauksen aikakatkaisuvirhe	<ol style="list-style-type: none"> 1. Tarkista, että laturin johto on kytketty kunnolla laturiin ja pistorasiaan. 2. Tarkista, että laturi saa oikean jännitteen. 3. Kokeile ladata toinen tälle laturille tarkoitettu akku. <p>Jos tämä ei korjaa ongelmaa, tarkistuta laturi hyväksytyssä huollossa.</p>

TAKUU JA HUOLTO

TAKUU

Blount, Inc. myöntää kaikille rekisteröidyille OREGON®-akkutyökaluille, akuille ja latureille kahden (2) vuoden takuun alkuperäisestä ostopäivästä lähtien ja yhden (1) vuoden takuun, jos tuotetta käytetään kaupallisesti. Tämä rajoitettu takuu koskee OREGON®-Cordless Tool System valmistettuja tuotteita. Takuukauden aikana Blount vaihtaa tai korjaa oman päätöksensä mukaan ainoastaan alkuperäiselle ostajalle veloituksetta minkä tahansa tuotteen tai osan, joka havaitaan Blountin suorittamassa tarkastuksessa viallisiksi materiaalien ja/tai valmistuksen osalta. Ostaja on vastuussa lähetyskuluista ja tämän takuun puitteissa vaihdettavaksi lähetettyjen osien irrotuskuluista.

SÄILYTÄ ALKUPERÄINEN KUITTI

Liitä alkuperäinen ostokuitti tähän oppaaseen ja pidä se tallella. Takuupalvelua varten tuote ja kuitti tulee palauttaa alkuperäiselle jälleenmyyjälle. Voit myös ottaa meihin yhteyttä kohdan "Maakohtainen asiakaspalvelu" mukaisesti.

HUOLTO- JA TUKITIEDOT

Sivustolla **OregonCordless.com** on tiedot huoltopaikoista. Voit myös ottaa yhteyttä asiakaspalveluosastoomme saadaksesi apua, teknistä neuvontaa, korjauspalvelua ja varaosia. Maakohtaiset puhelinnumerot ovat kohdassa "Maakohtainen asiakaspalvelu".

Käytä sähkötyökaluissa ainoastaan alkuperäisiä tehtaan varaosia turvallisuussyistä. Huoltopisteiden henkilöstö on koulutettu tarjoamaan tehokasta tukea ja auttamaan kaikkien OREGON®-Cordless Tool Systemin tuotteiden säädössä, korjauksessa ja vaihdossa.

EY-MÄÄRÄYSTEN NOUDATTAMINEN

Blount International Inc. 4909 SE International Way, Portland Oregon, 97222 USA

ILMOITTAU, ETTÄ SEURAAVAT TUOTTEET:

Akkukäyttöinen pensasleikkuri, malli: **HT255**

C600 akkulaturi

NOUDATTAVAT SEURAAVIA EUROOPPALAISIA DIREKTIIVEJÄ JA STANDARDEJA:

EY-DIREKTIIVIT:

KONEDIREKTIIVI 2006/42/EC

YHTIÖN EDUSTAJA:

EUROOPAN TEKNINEN
YHTEYSHENKILÖ:



Kevin Cyrus
Manager – Product Safety & Compliance
Blount International Inc.
Portland OR 97222 USA

Mr. Marnix Kuypers
Blount International-Europe-S. A.
Rue Emile Francqui, 5
B 1435 Mont-Saint-Guibert
Belgia





PÄIVÄ/PAIKKA:

10. heinäkuuta 2012, Portland, Oregon

SOMMARIO

SIMBOLI ED ETICHETTE	235
NORME DI SICUREZZA.	236
AVVERTENZE DI SICUREZZA GENERALI PER GLI UTENSILI A MOTORE	236
SICUREZZA NELL'AREA DI LAVORO	236
SICUREZZA ELETTRICA	236
SICUREZZA PERSONALE.	237
USO E CURA DEGLI UTENSILI A MOTORE	238
USO E CURA DELLA BATTERIA.	238
ASSISTENZA	238
AVVERTENZE DI SICUREZZA PER IL TAGLIASIEPI	238
CONSERVAZIONE, TRASPORTO E SMALTIMENTO	239
SICUREZZA DEL CARICATORE	241
IDENTIFICAZIONE DEL PRODOTTO	242
SPECIFICHE E COMPONENTI.	243
NOMI E TERMINI DEL TAGLIASIEPI	244
UTILIZZO DEL TAGLIASIEPI.	245
DISIMBALLAGGIO	245
GRUPPO BATTERIE E CARICATORE.	245
FUNZIONAMENTO GENERALE	247
TAGLIO DELLE SIEPI.	249
MANUTENZIONE E PULIZIA	251
TAGLIASIEPI	251
GRUPPO BATTERIE.	252
CARICATORE.	252
RISOLUZIONE DEI PROBLEMI	253
GARANZIA E ASSISTENZA	255
CE - DICHIARAZIONE DI CONFORMITÀ	256
ASSISTENZA CLIENTI PER PAESE	418

SIMBOLI ED ETICHETTE

SIMBOLO	NOME	SPIEGAZIONE
	COSTRUZIONE DI CLASSE II	STRUMENTI DI COSTRUZIONE A DOPPIO ISOLAMENTO DESIGNATI.
	SIMBOLO DI PERICOLO	INDICA CHE IL TESTO CHE SEGUE ILLUSTRRA UN PERICOLO, UN'AVVERTENZA O INVITA ALLA CAUTELA.
	LEGGERE LE ISTRUZIONI	IL MANUALE DI ISTRUZIONI ORIGINALE CONTIENE INFORMAZIONI IMPORTANTI SULLA SICUREZZA E L'OPERATIVITÀ. LEGGERE E SEGUIRE ATTENTAMENTE LE ISTRUZIONI.
	INDOSSARE PROTEZIONE PER GLI OCCHI	QUANDO SI METTE IN FUNZIONE IL TAGLIASIEPI, INDOSSARE PROTEZIONE PER GLI OCCHI.
	INDOSSARE PROTEZIONE PER LE MANI	QUANDO SI METTE IN FUNZIONE IL TAGLIASIEPI E SI MANEGGIANO LE LAME TAGLIENTI, INDOSSARE I GUANTI.
	POTENZA DEL SUONO	IL LIVELLO DI POTENZA DEL SUONO È DI 74 DB.
	IMPUGNATURA A DUE MANI	AFFERRARE IL TAGLIASIEPI CON ENTRAMBE LE MANI.
	IMPUGNATURA CON UNA MANO	NON AFFERRARE IL TAGLIASIEPI CON UNA SOLA MANO.
	NON INCENERIRE	NON GETTARE TRA LE FIAMME.
	NON SMALTIRE	NON AGGIUNGERE AI RIFIUTI DOMESTICI. LASCIARE IL PRODOTTO PRESSO UN CENTRO DI RICICLAGGIO AUTORIZZATO.
	NON ESPORRE ALLA PIOGGIA	NON ATTIVARE IL CARICATORE IN CONDIZIONI DI UMIDITÀ.
	PER USO ESCLUSIVAMENTE IN LUOGHI CHIUSI	DESTINATO ESCLUSIVAMENTE ALL'USO IN LUOGHI CHIUSI.
	ISPEZIONARE IL GENERATORE DI CORRENTE	ISPEZIONARE PERIODICAMENTE IL GENERATORE DI CORRENTE E IL CAVO DEL CARICATORE PER ACCERTARSI CHE NON SIANO PRESENTI DANNI.
	TEMPERATURA DI FUNZIONAMENTO	USARE IL GRUPPO BATTERIE SOLTANTO A UNA TEMPERATURA COMPRESA TRA 0° C E 40° C (32° F - 104° F).
	UTENSILE DA TAGLIO	UTENSILE DA TAGLIO. NON TOCCARE LE LAME TAGLIENTI SENZA AVER PRIMA DISATTIVATO IL TAGLIASIEPI RIMUOVENDO IL GRUPPO BATTERIE.

INTRODUZIONE

Questo tagliasiepi è stato progettato per la normale sfrondata e manutenzione. Non è idoneo al taglio di rami di diametro superiore a 19 mm (¾ di pollice). Altri utilizzi potrebbero comportare lesioni e non sono permessi.

NORME DI SICUREZZA

AVVERTENZE DI SICUREZZA GENERALI PER GLI UTENSILI A MOTORE

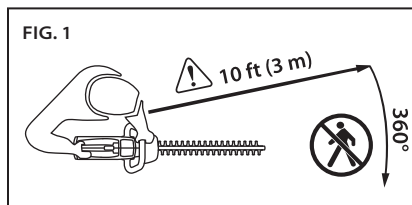
⚠ AVVERTENZA: LEGGERE E COMPRENDERE TUTTE LE AVVERTENZE DI SICUREZZA E LE ISTRUZIONI. LA MANCATA OSSERVANZA DELLE AVVERTENZE E ISTRUZIONI PUÒ CAUSARE SCOSSE ELETTRICHE, INCENDI E/O LESIONI GRAVI.



CONSERVARE TUTTE LE ISTRUZIONI E LE NORME DI SICUREZZA PER FUTURE CONSULTAZIONI. IL TERMINE "UTENSILE A MOTORE" A CUI SI FA RIFERIMENTO NELLE AVVERTENZE INDICA GLI UTENSILI A MOTORE ALIMENTATI DALLA RETE ELETTRICA (CON CAVO) O GLI UTENSILI A MOTORE ALIMENTATI A BATTERIA (SENZA CAVO).

SICUREZZA NELL'AREA DI LAVORO

- Mantenere l'area di lavoro pulita e ben illuminata. Ingombri o scarsa illuminazione sono causa di incidenti.
- Non utilizzare gli utensili a motore in ambienti a rischio di esplosione, come, ad esempio, in presenza di liquidi, gas o polveri infiammabili. Gli utensili a motore generano scintille che potrebbero infiammare la polvere o i fumi.
- Tenere i bambini e gli astanti a distanza durante l'utilizzo dell'utensile a motore (Fig. 1). Le distrazioni possono comportare la perdita del controllo.



⚠ ATTENZIONE: CREARE UNA ZONA DI SICUREZZA PER GLI ASTANTI DI 3 M (10 PIEDI), PRIMA DI ATTIVARE QUESTA APPARECCHIATURA. Per zona di sicurezza per gli astanti si intende un cerchio di 3 m (10 piedi) intorno all'operatore che deve rimanere privo di astanti, bambini e animali domestici.

SICUREZZA ELETTRICA

- La spina dell'utensile a motore deve corrispondere alla presa elettrica. Non modificare mai in alcun modo la spina. Non utilizzare adattatori con gli utensili a motore dotati di messa a terra (al suolo). Le spine non modificate e le prese corrispondenti riducono il rischio di scosse elettriche.
- Evitare il contatto del corpo con superfici collegate a terra o al suolo, come tubi, radiatori, fornelli e frigoriferi. Esiste un maggiore rischio di scossa elettrica se il corpo è collegato a terra o al suolo.
- Non esporre gli utensili a motore alla pioggia o alle condizioni di umidità. L'ingresso dell'acqua nell'utensile a motore aumenterà il rischio di scossa elettrica.
- Non usurare il cavo. Non usare mai il cavo per trascinare, tirare o staccare la spina dell'utensile a motore. Tenere il cavo lontano da fonti di calore, olio, bordi affilati o parti mobili. I cavi danneggiati o aggrovigliati aumentano il rischio di scosse elettriche.
- Durante il funzionamento dell'utensile a motore in ambienti esterni, usare un cavo di prolunga omologato per uso esterno. L'utilizzo di un cavo idoneo all'uso esterno riduce il rischio di scosse elettriche.

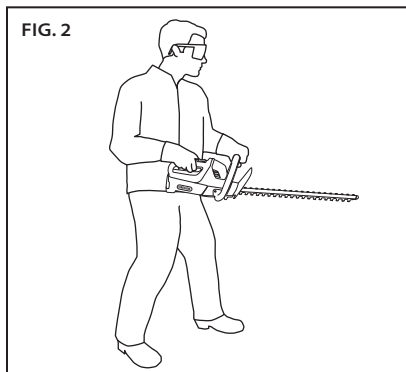
- Se è inevitabile l'attivazione dell'utensile a motore in un luogo umido, utilizzare una fornitura di alimentazione con interruttore differenziale (salvavita) oppure un interruttore di circuito per i guasti a terra (GFCI). *L'utilizzo di un interruttore differenziale o di circuito riduce il rischio di scossa elettrica.*
- Se il cavo è danneggiato o tagliato, rimuovere immediatamente la spina dalla rete elettrica.

SICUREZZA PERSONALE



- Restare sempre vigili, fare attenzione e usare buon senso quando si mette in funzione l'utensile a motore. Non attivare l'utensile a motore quando si è stanchi o sotto l'effetto di stupefacenti, alcol o medicinali. *Un attimo di disattenzione mentre l'utensile a motore è in funzione potrebbe causare gravi lesioni personali.*
- Utilizzare dispositivi di protezione individuale. Indossare sempre protezione per gli occhi. *Dispositivi di protezione adeguati, come maschere antipolvere, calzature antiscivolo, caschi o protezioni acustiche, ridurranno il rischio di lesioni personali.*
- Prevenire l'accensione accidentale. Prima di collegare l'apparecchio alla fonte di alimentazione e/o al gruppo batterie, di raccogliarlo o trasportarlo, accertarsi che l'interruttore sia nella posizione "off". *Il trasporto degli utensili a motore con il dito sull'interruttore o l'attivazione degli utensili a motore con l'interruttore acceso sono causa di incidenti.*
- Rimuovere qualsiasi chiave di regolazione o brugola prima di utilizzare l'utensile a motore. *Una brugola o una chiave inglese lasciate in una parte rotante dell'utensile a motore possono causare lesioni personali.*

- Non sporgersi. Mantenere sempre una posizione corretta e un buon equilibrio (Fig. 2). *Ciò permette di controllare meglio l'utensile a motore in situazioni impreviste.*



- Vestirsi in maniera adeguata. Non indossare abiti larghi o gioielli. Tenere capelli, abiti e guanti lontani dalle parti mobili. *Abiti larghi, gioielli o capelli lunghi possono impigliarsi nelle parti mobili.*
- Se vengono forniti dispositivi per il collegamento di apparecchi di estrazione e raccolta della polvere, accertarsi che siano collegati e utilizzati correttamente. *L'utilizzo di apparecchi di raccolta della polvere può ridurre i rischi relativi alla polvere.*
- È comprovato che l'utilizzo prolungato di utensili a motore può causare disturbi vascolari, muscolari o neurologici (come la sindrome del dito bianco da vibrazione o sindrome di Raynaud). Per ridurre il rischio di lesioni, attenersi a queste istruzioni:
 - Indossare guanti e mantenere calde le mani e il corpo.
 - Mantenere una salda presa sul tagliasiepi, ma non esercitare una pressione eccessiva, prolungata.
 - Fare delle pause frequenti.

La vibrazione durante il normale utilizzo può differire dai valori dichiarati, a seconda del materiale che viene tagliato, alla manutenzione del sistema di taglio e ad altri fattori.

USO E CURA DEGLI UTENSILI A MOTORE

- **Non applicare una forza eccessiva sull'utensile a motore. Usare l'utensile a motore idoneo per l'applicazione prevista.** *L'utensile a motore appropriato eseguirà un lavoro migliore e in modo più sicuro, alla velocità per cui è stato progettato.*
- **Non utilizzare l'utensile a motore se l'interruttore non lo accende e spegne.** *Qualsiasi utensile a motore che non possa essere controllato con l'interruttore può essere pericoloso e deve essere riparato.*
- **Prima di effettuare regolazioni, sostituire gli accessori o riporre l'utensile a motore, scollegare la spina dalla fonte di alimentazione e/o dal gruppo batterie dall'utensile a motore.** *Tali misure di sicurezza preventive riducono i rischi di avvio accidentale dell'utensile a motore.*



- **Conservare l'utensile a motore inattivo fuori dalla portata dei bambini e non consentire a persone che non hanno familiarità con l'utensile a motore o con le presenti istruzioni di utilizzarlo.** *Gli utensili a motore sono pericolosi in mano a utenti non addestrati.*
- **Manutenzione degli utensili a motore.** **Verificare che non siano presenti disallineamenti o blocchi delle parti in movimento, rottura di parti e qualsiasi altra condizione che possa influire sul funzionamento dell'utensile a motore.** **Se l'utensile a motore è danneggiato, farlo riparare prima di utilizzarlo.** *Molti incidenti sono causati da scarsa manutenzione degli utensili a motore.*
- **Mantenere gli utensili da taglio affilati e puliti.** *Gli utensili da taglio mantenuti in maniera adeguata e con bordi affilati hanno meno probabilità di bloccarsi e sono più facili da controllare.*
- **Utilizzare gli utensili a motore, gli accessori, gli attrezzi, ecc. in conformità con quanto indicato in queste istruzioni, tenendo conto delle condizioni di lavoro e del lavoro da svolgere.** *L'impiego dell'utensile a motore per usi diversi da quelli previsti potrebbe dar luogo a situazioni pericolose.*

USO E CURA DELLA BATTERIA

- **Ricaricare solo con il caricatore specificato dal produttore.** *Un caricatore idoneo per un tipo di gruppo batterie può creare un rischio di incendio se utilizzato con un altro gruppo batterie.*
- **Utilizzare gli utensili a motore solo con gli appositi gruppi batterie.** *L'uso di un gruppo batterie di tipo diverso può comportare rischio di lesioni e incendio.*
- **Quando non viene utilizzato, tenere il gruppo batterie lontano da oggetti metallici come graffette, monete, chiavi, chiodi, viti o altri piccoli articoli in metallo che potrebbero creare una connessione tra i due terminali.** *Un cortocircuito del terminale della batteria può causare ustioni o incendi.*
- **In caso di cattive condizioni, del liquido potrebbe essere espulso dalla batteria; evitare il contatto.** *Qualora avvenisse un contatto accidentale, sciacquare con acqua. Nel caso in cui il liquido entrasse in contatto con gli occhi, consultare anche un medico. Il liquido espulso dalla batteria può causare irritazioni o ustioni.*

ASSISTENZA

Chiedere di effettuare le operazioni di manutenzione dell'utensile a motore a una persona qualificata e usando soltanto pezzi di ricambio originali. Ciò farà sì che sia mantenuto il livello di sicurezza dell'utensile a motore.

AVVERTENZE DI SICUREZZA PER IL TAGLIASIEPI

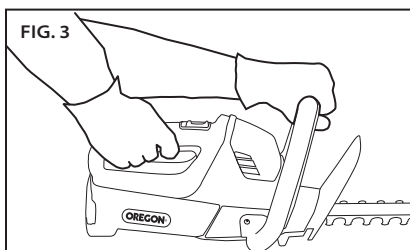


⚠ PERICOLO: TENERE LE MANI LONTANE DALLA LAMA. IL CONTATTO CON LA LAMA CAUSERÀ GRAVI LESIONI PERSONALI.

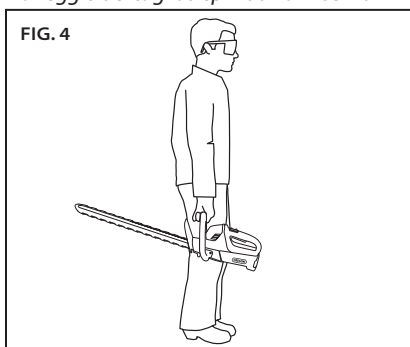
⚠ AVVERTENZA: UTILIZZARE SOLTANTO CON L'IMPUGNATURA E LA COPERTURA DI SICUREZZA PER LE MANI CORRETTAMENTE MONTATE SUL TAGLIASIEPI.

L'UTILIZZO DEL TAGLIASIEPI SENZA LADEGUATA COPERTURA DI SICUREZZA O IMPUGNATURA FORNITA POTREBBE COMPORTARE GRAVI LESIONI PERSONALI.

- Quando si mette in funzione il tagliasiepi, usare entrambe le mani. L'utilizzo di una sola mano potrebbe comportare la perdita del controllo e causare gravi lesioni personali (Fig. 3).



- Tenere tutte le parti del corpo lontane dalla lama da taglio. Non rimuovere il materiale tagliato né afferrare il materiale da tagliare quando le lame sono in movimento. Accertarsi che l'interruttore sia spento quando si rimuove il materiale impigliato. Le lame spente continuano a girare per inerzia. Un attimo di disattenzione mentre il tagliasiepi è in funzione potrebbe causare gravi lesioni personali.
- Trasportare il tagliasiepi afferrandolo per il manico, con la lama da taglio ferma (Fig. 4). Quando si trasporta o si immagazzina il tagliasiepi, attaccare sempre il coperchio del dispositivo di taglio. Il corretto maneggio del tagliasiepi ridurrà i rischi di



lesioni personali dovute alle lame da taglio.

- Afferrare l'utensile a motore soltanto dalle superfici isolate, infatti la lama da taglio potrebbe entrare a contatto con fili nascosti o con il suo stesso cavo. Le lame da taglio che entrano a contatto con un filo "vivo" potrebbero rendere "vive" le parti metalliche esposte dell'utensile a motore e trasmettere una scossa elettrica all'operatore.
- Il tagliasiepi non presenta parti che possano essere riparate dall'utente. Il lavoro di sostituzione delle lame, di assistenza e riparazione richiede apposita formazione. Per le informazioni di contatto, consultare "Informazioni sull'assistenza e il supporto".

CONSERVAZIONE, TRASPORTO E SMALTIMENTO

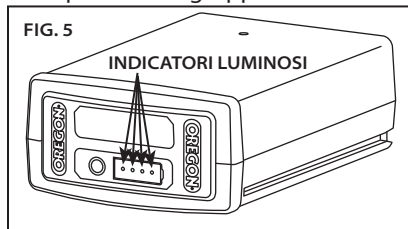
CONSERVAZIONE DEL TAGLIASIEPI

- Applicare lubrificante alle lame taglienti. Per ottenere altre informazioni, consultare "Manutenzione e pulizia".
- Rimuovere il gruppo batterie dal tagliasiepi.
- Pulire con cura il tagliasiepi.
- Installare il coprilama.
- Conservare in un luogo asciutto.
- Tenere lontano dalla portata dei bambini o degli animali domestici.

CONSERVAZIONE DEL GRUPPO BATTERIE

Quando si ripone il gruppo batterie per più di nove mesi, seguire le linee guida riportate di seguito:

- Rimuovere il gruppo batterie dal tagliasiepi o dal caricatore.
- Conservare in un luogo fresco e asciutto.
- Tenere lontano dalla portata dei bambini o degli animali domestici.
- Per prolungare la vita della batteria, non riporre mai il gruppo batterie



completamente scarico. (Fig. 5).

- Conservare a una temperatura compresa tra -20° C e 30° C (-4° F - 86°F).



CONSERVAZIONE DEL CARICATORE

- Rimuovere il gruppo batterie dal caricatore.
- Scollegare il caricatore dalla fonte di alimentazione.
- Conservare in un luogo asciutto.
- Tenere lontano dalla portata dei bambini o degli animali domestici.

Per ottenere altre informazioni, consultare "Manutenzione e pulizia".

TRASPORTO DEL TAGLIASIEPI

Prima della spedizione, preparare il tagliasiepi come descritto in "Conservazione del tagliasiepi".

TRASPORTO DEL GRUPPO BATTERIE

Osservare le normative nazionali applicabili in caso di spedizione delle batterie agli ioni di litio; potrebbe essere richiesta l'etichettatura obbligatoria.

SMALTIMENTO DEL TAGLIASIEPI E DEL CARICATORE

Il prodotto OREGON® è stato progettato e prodotto con materiali e componenti di alta qualità che possono essere riciclati e riutilizzati. Una volta terminato il ciclo di vita del prodotto e in conformità con la Direttiva 2002/95/CE, l'apparecchio elettrico deve essere smaltito separatamente rispetto ai normali rifiuti casalinghi. Nell'Unione Europea, esistono sistemi di raccolta separata per i prodotti elettrici ed elettronici usati. Si prega di smaltire queste apparecchiature nel modo corretto per la tutela dell'ambiente, presso un centro locale per la raccolta/il riciclaggio dei rifiuti.

SMALTIMENTO DEL GRUPPO BATTERIE

Non gettare il gruppo batterie insieme ai normali rifiuti domestici. Non incenerire il gruppo batterie. Le agenzie territoriali di gestione dei rifiuti e riciclaggio dispongono di informazioni sul corretto smaltimento o riciclaggio, secondo regolamenti in materia di tutela ambientale.



SICUREZZA DELLA BATTERIA

⚠ PERICOLO: LA MANCATA OSSERVANZA DI QUESTE NORME DI SICUREZZA PUÒ CAUSARE LA FUORIUSCITA DI SOSTANZE CHIMICHE PERICOLOSE DAL GRUPPO BATTERIE, IL SUO SURRISCALDAMENTO, EMISSIONE DI FUMO, SCOPPIO, BRUCIATURE, ESPLOSIONE E/O INCENDIO.

⚠ ATTENZIONE: NON SMALTIRE IL GRUPPO BATTERIE INSIEME AI RIFIUTI DOMESTICI E NON GETTARLO NELLE FIAMME. I GRUPPI BATTERIE AGLI IONI DI LITIO DEVONO ESSERE RICICLATI PRESSO UN CENTRO DI RICICLAGGIO LOCALE AUTORIZZATO.

⚠ ATTENZIONE: NON ESPORRE IL GRUPPO BATTERIE AD ECCESSIVE FONTI DI CALORE, COME L'INTERNO DI UN VEICOLO IN CONDIZIONI DI ALTE TEMPERATURE. TALE ESPOSIZIONE POTREBBE CAUSARE UNA DIMINUIZIONE DELLE PRESTAZIONI E/O LA RIDUZIONE DELLA VITA UTILE. NON CERCARE DI RICARICARE UN GRUPPO BATTERIE NON RICARICABILE.

- Non smontare o modificare il gruppo batterie. Una tale procedura potrebbe danneggiare le funzioni di sicurezza.
- Non collegare i terminali positivi (+) e negativi (-) con oggetti metallici né conservare il gruppo batterie con oggetti metallici come monete o viti. Una tale procedura potrebbe causare un cortocircuito e generare una quantità di calore sufficiente a causare bruciature.

- Non incenerire il gruppo batterie e non esporlo a calore eccessivo. Una tale procedura potrebbe fondere l'isolamento o danneggiare le funzioni di sicurezza.
- Non usare, caricare o conservare vicino a fonti di calore di temperatura superiore agli 80° C (176° F). Una tale procedura potrebbe causare il surriscaldamento e il cortocircuito dei componenti interni.
- Non esporre a condizioni estremamente umide. Una tale procedura potrebbe danneggiare le funzioni di sicurezza, causare una carica della tensione e corrente estremamente alta, nonché reazioni chimiche anomale.
- Usare esclusivamente il caricatore progettato appositamente per il gruppo batterie e seguire le precauzioni di sicurezza descritte in "Sicurezza del caricatore". L'utilizzo di un altro caricatore potrebbe danneggiare le funzioni di sicurezza, causare una carica della tensione e corrente estremamente alta, nonché reazioni chimiche anomale.
- Non usare gruppi batterie di marca OREGON® con utensili non di marca OREGON®.
- Non colpire, forare o lanciare il gruppo batterie e non usare un gruppo batterie danneggiato o deformato.
- Se la ricarica della batteria non avviene, evitare altri tentativi. Rimuovere immediatamente il gruppo batterie dal tagliasiepi o dal caricatore se questo emana odori, genera calore, mostra un colore non uniforme, appare deformato oppure se si nota qualsiasi tipo di anomalia durante l'uso, la fase di ricarica o la conservazione del prodotto.
- I liquidi che fuoriescono dalla batteria sono corrosivi, possono danneggiare gli occhi e la pelle ed essere tossici, se ingeriti.

SICUREZZA DEL CARICATORE

IMPORTANTI ISTRUZIONI DI SICUREZZA

⚠ ATTENZIONE: QUESTO APPARECCHIO NON DEVE ESSERE UTILIZZATO DA INDIVIDUI (BAMBINI COMPRESI) CON RIDOTTE CAPACITÀ FISICHE, SENSORIALI O MENTALI

O PRIVI DELLE COMPETENZE NECESSARIE, A MENO CHE NON SIANO CONTROLLATI O ISTRUITI DA UNA PERSONA RESPONSABILE DELLA LORO SICUREZZA. SI CONSIGLIA DI SUPERVISIONARE I BAMBINI E ACCERTARSI CHE NON GIOCHINO CON GLI APPARECCHI.

⚠ AVVERTENZA: RISCHIO DI SCOSSE ELETTRICHE. SE L'UTENSILE VIENE USATO ALL'ESTERNO, INSTALLARE SOLTANTO SU UNA PRESA PROTETTA GFCI DI CLASSE A COPERTA CHE SIA IMPERMEABILE CON IL GRUPPO MOTORE COLLEGATO ALLA PRESA. SE UNA TALE PRESA NON È DISPONIBILE, CONTATTARE UN ELETTRICISTA QUALIFICATO PER INFORMAZIONI SULLA CORRETTA INSTALLAZIONE. ACCERTARSI CHE IL GRUPPO MOTORE E IL CAVO NON IMPEDISCANO LA COMPLETA CHIUSURA DEL COPERCHIO DELLA PRESA.

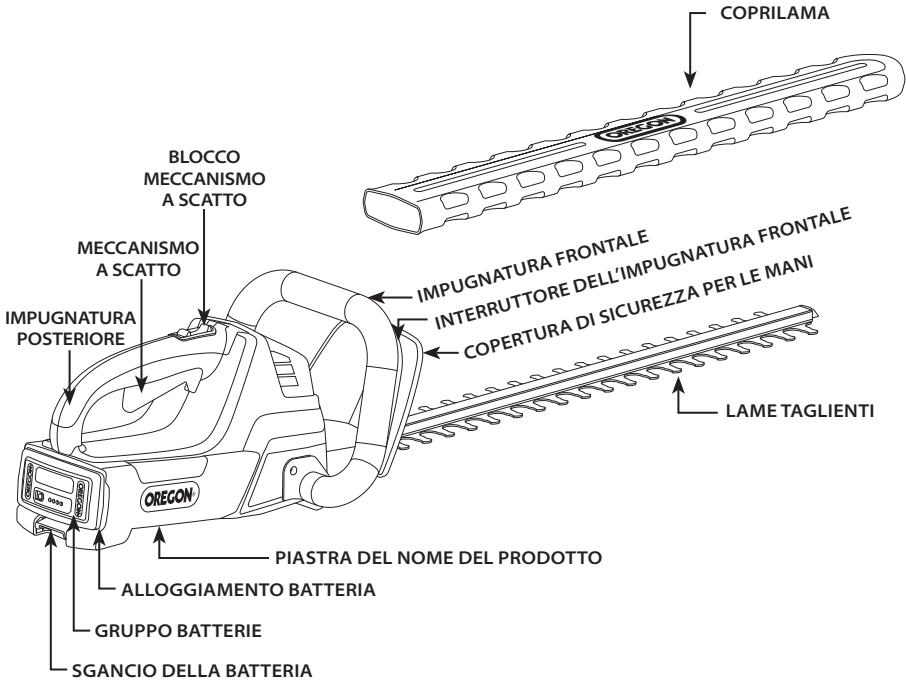
⚠ ATTENZIONE: USARE QUESTO CARICATORE SOLO CON IL CAVO DI ALIMENTAZIONE IN DOTAZIONE, ACCERTANDOSI CHE LA SPINA DI INGRESSO SI INSERISCA CORRETTAMENTE NELLA PRESA DI CORRENTE.

Quando si utilizzano prodotti elettrici, è necessario adottare sempre precauzioni di base, comprese le seguenti:

- Leggere e seguire tutte le istruzioni di sicurezza prima dell'uso. *Leggere e seguire tutte le istruzioni fornite sul prodotto o allegate al prodotto.*
- Conservare queste istruzioni.
- Non usare un cavo di prolunga.
- Non usurare il cavo. Non usare mai il cavo per trascinare, tirare o staccare la spina dell'utensile a motore. Tenere il cavo lontano da fonti di calore, olio, bordi affilati o parti mobili. *I cavi danneggiati o aggrovigliati aumentano il rischio di scosse elettriche.*
- Non esporre il caricatore alla pioggia. *Solo per uso in luoghi chiusi.*
- Non usare entro 3 m (10 piedi) da una piscina.
- Non usare nel bagno.

IDENTIFICAZIONE DEL PRODOTTO

CONOSCERE IL TAGLIASIEPI



NOTA: per un elenco degli articoli inclusi, consultare "Disimballaggio".

SPECIFICHE E COMPONENTI

COMPONENTI DI RICAMBIO		CODICE ARTICOLO
GRUPPO BATTERIE, MODELLO B400E		548206
CARICATORE CON CAVO, MODELLO C600		EU - 554933 UK - 554872 AU/NZ - 560663
CARICATORE CON CAVO, MODELLO C750		EU - 558697 UK - 558698 AU/NZ - 558699
CARICATORE, MODELLO C600		
INGRESSO	100-240 V~ 50-60 HZ 60 W	
USCITA	41,5 V _{DC} 1,25 A	
CAVO DI ALIMENTAZIONE	EU - 547383 UK - 547384 AU/NZ - 559380	
GRUPPO BATTERIE, MODELLO B400E		
PESO	1,23 kg (2,72 libbre)	
TIPO	AGLI IONI DI LITIO	
TENSIONE, NOMINALE	+37 V C.C.	
TEMPERATURE DI FUNZIONAMENTO	DA 0° C A 40° C (DA 32° F A 104° F)	
CAPACITÀ, NOMINALE	2,4 Ah / 89 Wh	
TEMPO DI RICARICA (APPROSS.)	120 MINUTI	
TAGLIASIEPI		
LUNGHEZZA DELLA LAMA	600 mm (24 pollici)	
TIPO DI LAMA	ALTERNATIVA DOPPIA	
VELOCITÀ DI TAGLIO DELLA LAMA MASSIMA	2750 COLPI AL MINUTO	
DIAMETRO DI TAGLIO MASSIMO	FINO A 19 mm (3/4 di pollice)	
PESO CON B400E	4,4 kg (9,8 libbre)	
LIVELLO DI POTENZA DEL SUONO	74 dB L _{WA} (K, 0,18 dB)	
VIBRAZIONE	1,16 m/s ² (K, 0,26 m/s ²)	

NOMI E TERMINI DEL TAGLIASIEPI

Blocco della lama: una condizione in cui le lame taglienti non si spostano a causa del materiale presente tra le parti in movimento e quelle statiche delle lame taglienti.

Blocco meccanismo a scatto: un fermo mobile che impedisce l'attivazione accidentale del meccanismo a scatto, fino a quando non viene azionato manualmente.

Copertura di sicurezza per le mani: una barriera strutturale sita tra l'impugnatura frontale del taglia siepi e le lame taglienti.

Impugnatura frontale: il manico di supporto che si trova sul, o verso il, lato anteriore del taglia siepi.

Impugnatura posteriore: impugnatura di supporto che si trova sul, o verso il, lato posteriore del taglia siepi, dove è posizionato il meccanismo a scatto.

Interruttore dell'impugnatura frontale: un interruttore a forma di U che attraversa l'impugnatura frontale e impedisce l'azionamento accidentale del meccanismo a scatto, fino a quando non viene azionato manualmente.

Lame taglienti: la serie di superfici affilate che sporgono dal lato anteriore del taglia siepi e che si muovono avanti e indietro per tagliare le siepi.

Meccanismo a scatto: un dispositivo che controlla la velocità delle lame taglienti.

Nuova crescita: la crescita più recente su una pianta. Appare, solitamente, di colore più chiaro, meno legnosa e maggiormente flessibile rispetto al resto della pianta.

Stagione di taglio: il momento ideale per tagliare le siepi varia in base al tipo di pianta, ma di solito è buona prassi sfrondare durante i periodi di crescita lenta, dopo il completamento della fioritura. Consultare un vivaio locale per ottenere consigli sulla sfrondatura di piante specifiche.

Velocità di taglio: il taglia siepi presenta una velocità di taglio variabile. Premere il meccanismo a scatto più saldamente per accelerare la velocità di taglio. Per sfruttare al massimo il tempo di taglio disponibile per ciascuna carica, usare soltanto la velocità di taglio minima necessaria per tagliare il materiale.

Zona di sicurezza per gli astanti: un cerchio di 3 m (10 piedi) intorno all'operatore che deve rimanere sgombro da astanti, bambini e animali domestici.

UTILIZZO DEL TAGLIASIEPI

DISIMBALLAGGIO

CONTENUTO DELLA CONFEZIONE

Il tagliasiepi viene fornito completamente assemblato. I seguenti articoli sono spediti insieme al tagliasiepi:

- Tagliasiepi
- Coprilama
- Manuale di istruzioni
- Caricatore e cavo di alimentazione (se in dotazione)
- Batteria (se in dotazione)

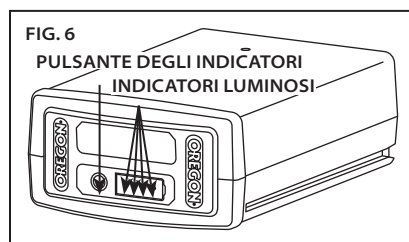
Dopo aver estratto il tagliasiepi dalla confezione, ispezionarlo attentamente per accertarsi che non abbia subito danni durante il trasporto e che tutte le parti siano presenti. Se una qualsiasi parte appare danneggiata o mancante, non usare il tagliasiepi. Contattare OREGON® Cordless Tool System per ottenere le parti di ricambio. Per i numeri di telefono specifici per il paese di residenza, vedere "Assistenza clienti per paese".

GRUPPO BATTERIE E CARICATORE

⚠ AVVERTENZA: NON CARICARE IL GRUPPO BATTERIE NELLA PIOGGIA.

INDICATORE A LED DEL LIVELLO DI CARICA DEL GRUPPO BATTERIE

La batteria agli ioni di litio è dotata di indicatore a LED del livello di carica. Per testare il livello di carica del gruppo batterie, premere il pulsante degli indicatori sul lato anteriore del gruppo batterie (Fig. 6).



Nessuna luce: ricaricare.

Luce verde fissa:
livello di carica inferiore al 25%.
Caricare il gruppo batterie prima dell'uso.

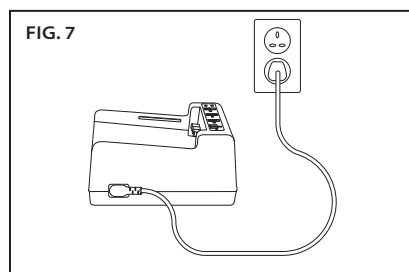
Due luci verdi fisse:
livello di carica tra il 26% e il 50%.

Tre luci verdi fisse:
livello di carica tra il 51% e il 75%.

Quattro luci verdi fisse:
livello di carica tra il 76% e il 100%.

COLLEGAMENTO DEL CARICATORE

Collegare il cavo del caricatore al caricatore e alla presa elettrica appropriata (Fig. 7).



Utilizzare esclusivamente il kit di cavi in dotazione con il caricatore. Al primo utilizzo, verificare che il tipo di spina corrisponda alla presa.

INDICATORE A LED DELLO STATO DI CARICA DEL CARICATORE

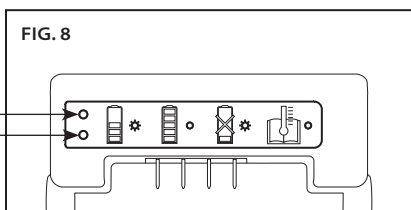
Il caricatore della batteria è dotato di un indicatore a LED dello stato di carica che segnala lo stato di carica, così come le condizioni che possono ritardare o impedire la ricarica (Fig. 8).

Nota: finché il gruppo batterie è inserito non si vedrà alcuna luce.

— Luce arancione intermittente: si è verificato un guasto. Esistono diverse cause possibili. Vedere "Risoluzione dei problemi" nel presente manuale.

— Luce arancione fissa: la temperatura della batteria ha superato il livello consentito (da 0° C/32° F a 40° C/104° F). Lasciare che il gruppo batterie raggiunga il livello di temperatura consentito prima di ricaricare. La batteria può essere lasciata sul caricatore quando la temperatura torna a livelli ottimali. La ricarica inizierà quando avrà raggiunto una temperatura adeguata.

FIG. 8



— Luce verde intermittente: la batteria è sotto carica.

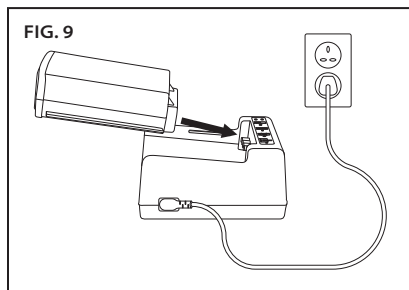
— Luce verde fissa: il gruppo batterie è PRONTO PER L'USO.

RICARICA DEL GRUPPO BATTERIE

⚠ AVVERTENZA: LA MANCATA OSSERVANZA DELLE OPPORTUNE PROCEDURE DI RICARICA PUÒ CAUSARE UNA TENSIONE ECCESSIVA, UN ECCESSIVO FLUSSO DI CORRENTE, PERDITA DI CONTROLLO DURANTE LA RICARICA, FUORIUSCITA DI SOSTANZE CHIMICHE PERICOLOSE, GENERAZIONE DI CALORE, SCOPPI O INCENDI.

Con il cavo del caricatore collegato al caricatore e attaccato ad una presa elettrica, allineare le scanalature nella batteria ai binari sul caricatore e far scorrere la batteria nel caricatore fino a quando sarà perfettamente inserita (Fig. 9).

FIG. 9

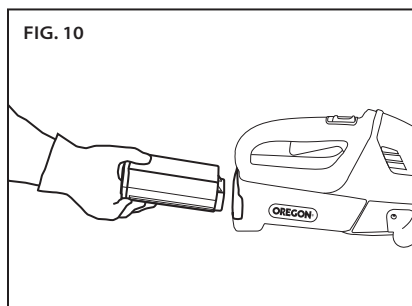


Controllare l'indicatore dello stato di ricarica per le condizioni di ricarica.

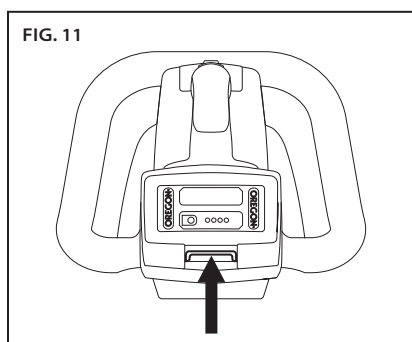
INSERIMENTO E SGANCIO DEL GRUPPO BATTERIE

Usare soltanto i gruppi batterie di marca OREGON® specificati in queste istruzioni per l'uso.

Allineare le scanalature della batteria ai binari nell'alloggiamento della batteria. Inserire saldamente il gruppo batterie nell'alloggiamento della batteria del tagliasiepi, premendo in avanti fino a sentire un clic nel momento in cui si blocca in posizione (Fig. 10).



Per rimuovere il gruppo batterie, sollevare il dispositivo di sgancio della batteria e rimuovere il gruppo batterie (Fig. 11).



FUNZIONAMENTO GENERALE



⚠ AVVERTENZA: INDOSSARE SEMPRE GUANTI APPROPRIATI E ADEGUATA PROTEZIONE PER GLI OCCHI.

TEMPERATURA DI FUNZIONAMENTO

Questo tagliasiepi è stato progettato per funzionare a una temperatura compresa tra 0° C e 40° C (32° F - 104° F).

PRESA

Afferrare sempre l'utensile con entrambe le mani. Per l'utilizzo con la mano destra, collocare il tagliasiepi su una superficie calda e piatta, afferrare l'impugnatura frontale con la mano sinistra e l'impugnatura posteriore con la mano destra. Avvolgere le dita intorno alla parte superiore dell'impugnatura frontale tenendo il pollice nella parte inferiore (Fig. 12).



Per l'utilizzo con la mano sinistra, afferrare l'impugnatura frontale con la mano destra e l'impugnatura posteriore con la mano sinistra (Fig. 13).



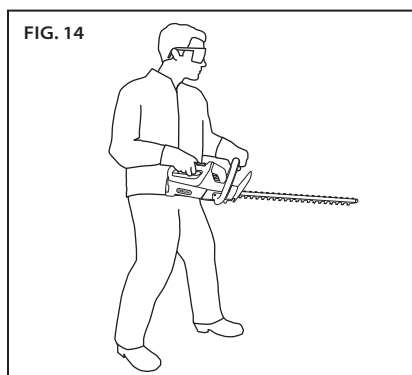
POSTURA

Rimanere eretti con i piedi su un terreno solido e il peso ben distribuito su entrambi i piedi.

Non sporgersi e non rimanere in piedi su una scala, uno sgabello o una qualsiasi superficie sollevata che non sia stata completamente messa in sicurezza.



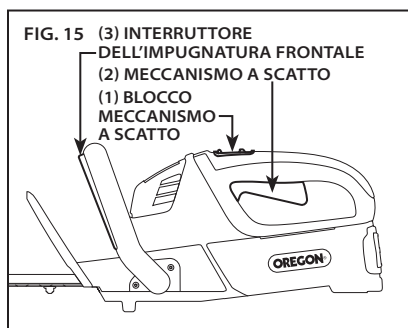
Per mantenere il controllo, tenere il tagliasiepi il più possibile vicino al corpo (Fig. 14).

**ARRESTO DEL TAGLIASIEPI**

Per arrestare il tagliasiepi, rilasciare il meccanismo a scatto.

AVVIO DEL TAGLIASIEPI

Afferrare saldamente l'impugnatura frontale e l'impugnatura posteriore. Tirare all'indietro il blocco meccanismo a scatto (1) con il pollice (Fig. 15). Stringere il meccanismo a scatto (2) fino a quando le lame taglienti non si muovono alla velocità desiderata. L'interruttore dell'impugnatura frontale (3) offre una funzione di sicurezza; il tagliasiepi si avvia solo se viene attivata l'impugnatura.

**CONTROLLO DELLA VELOCITÀ DELLA LAMA TAGLIANTE**

Il meccanismo a scatto controlla la velocità in base alla quale le lame taglienti oscillano. Stringere il meccanismo a scatto più saldamente per accelerare la velocità di taglio.

Usare la pressione minima necessaria per tagliare il materiale. Questo accorgimento aiuta a ottimizzare il tempo di taglio disponibile per ciascuna carica della batteria e riduce il numero di operazioni di ricarica necessarie.

TAGLIO DELLE SIEPI

QUANDO TAGLIARE

Il momento ideale per tagliare le siepi varia in base al tipo di pianta, ma di solito è buona prassi sfrondare durante i periodi di crescita lenta, dopo il completamento della fioritura. Consultare un vivaio locale per ottenere consigli sulla sfrondatura di piante specifiche.

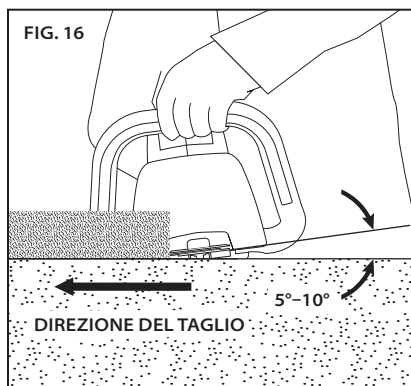
Osservare tutte le regole e normative nazionali e comunali applicabili per il taglio delle siepi.

TAGLIO DI BASE

▲ AVVERTENZA: ACCERTARSI SEMPRE CHE I PIEDI POGGINO SU UN TERRENO SOLIDO E AFFERRARE IL TAGLIASIEPI SALDAMENTE CON ENTRAMBE LE MANI MENTRE IL MOTORE È ATTIVO.

Per evitare di danneggiare le lame, verificare la presenza di corpi estranei nelle siepi prima di tagliare. Rimuovere gli oggetti che potrebbero impedire il taglio.

Assumere una corretta presa e postura, e quindi avviare il tagliasiepi. Afferrare il tagliasiepi con le lame taglienti ad un angolo di 5°-10° verso la direzione del taglio (Fig. 16).



IMPORTANTE: LE LAME TAGLIANTI OCCASIONALMENTE SI BLOCCANO E ARRESTANO IL MOVIMENTO, QUANDO DEL MATERIALE SI TROVA NELLE LAME TAGLIANTI O QUANDO LE LAME TAGLIANTI ENTRANO A CONTATTO CON UN FILO O UN RECINTO CON CATENA. PER INFORMAZIONI SU COME RISOLVERE QUESTO PROBLEMA, CONSULTARE "CORREZIONE DEL BLOCCO DELLA LAMA".

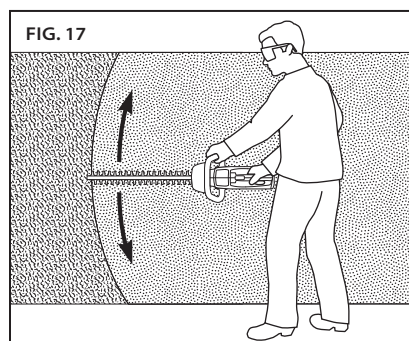
SEQUENZA DI TAGLIO

Se la siepe è stata ben formata, concentrarsi sulla sfrondatura della crescita nuova, fino a quando la siepe avrà l'aspetto desiderato.

Dopo aver rimosso i rami grandi, usare il tagliasiepi per sfrondare i lati della siepe fino alla lunghezza desiderata. Sfrondare la parte superiore della siepe per ultima, dopo aver completato i lati.

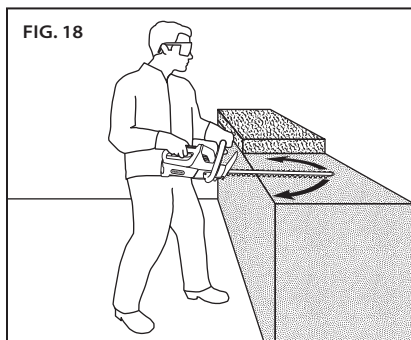
TAGLIO VERTICALE

Quando si tagliano i lati della siepe, iniziare dal fondo. Afferrare il tagliasiepi con le lame taglienti ad un angolo di 5°-10° verso la direzione del taglio. Spostarsi verso il basso sulla linea della siepe, muovendo il tagliasiepi lentamente in su e in giù in un ampio arco (Fig. 17).



TAGLIO ORIZZONTALE

Quando si taglia la parte superiore della siepe, iniziare con il margine più vicino. Afferrare il taglia siepi con le lame taglienti ad un angolo di 5°-10° verso la direzione del taglio. Spostarsi verso il basso sulla linea della siepe, muovendo il taglia siepi lentamente a sinistra e a destra disegnando un ampio arco (Fig. 18).



Se il lato superiore della siepe è troppo largo e non può essere tagliato con un solo movimento del taglia siepi, non sporgersi sopra la siepe per sfrondare la parte restante. Effettuare invece un passaggio in basso su un lato della siepe e quindi tagliare la parte restante dall'altro lato della siepe.

CORREZIONE DEL BLOCCO DELLA LAMA

⚠ ATTENZIONE: PER EVITARE UN'ATTIVAZIONE ACCIDENTALE DELLE LAME TAGLIENTI, RIMUOVERE SEMPRE LA BATTERIA PRIMA DI LIBERARE LE LAME.

⚠ ATTENZIONE: LE LAME TAGLIENTI SONO AFFILATE. QUANDO SI RIMUOVE IL MATERIALE DALLE LAME TAGLIENTI, INDOSSARE SEMPRE DEI GUANTI.

A volte, quando si tagliano rami flessibili "verdi", i ritagli possono posizionarsi tra le parti in movimento delle lame taglienti e la parte statica. Se questo avviene, le lame taglienti potrebbero improvvisamente fermarsi. Questo potrebbe anche accadere se le lame taglienti entrano a contatto con materiale troppo duro da tagliare, come un recinto con catena. Questa condizione viene chiamata blocco della lama.

Seguire le presenti linee guida per rimuovere il materiale in maniera sicura ed efficace.

- Indossare i guanti.
- Rimuovere il gruppo batterie dal taglia siepi. Consultare "Rimozione del gruppo batterie".
- Rimuovere il materiale che impedisce alle lame taglienti di muoversi.

MANUTENZIONE E PULIZIA

TAGLIASIEPI

▲ AVVERTENZA: ISPEZIONARE IL TAGLIASIEPI. UN CONTROLLO PERIODICO È IL PRIMO PASSO PER UNA BUONA MANUTENZIONE. SEGUIRE LE LINEE GUIDA RIPORTATE DI SEGUITO PER OTTIMIZZARE LA SICUREZZA E LA SODDISFAZIONE CON IL PRODOTTO. IN PRESENZA DI PARTI DANNEGGIATE O ECCESSIVAMENTE USURATE, SOSTITUIRLE IMMEDIATAMENTE. LA MANCATA INDIVIDUAZIONE E SOSTITUZIONE DI PARTI DANNEGGIATE O USURATE PUÒ CAUSARE GRAVI LESIONI PERSONALI.

▲ AVVERTENZA: RIMUOVERE IL GRUPPO BATTERIE DAL TAGLIASIEPI PRIMA DI ESEGUIRE OPERAZIONI DI CONTROLLO, PULIZIA O MANUTENZIONE. UNO STRUMENTO A BATTERIA CON IL GRUPPO BATTERIE INSERITO È SEMPRE ATTIVO E PUÒ AZIONARSI ACCIDENTALMENTE.

▲ ATTENZIONE: DURANTE LA PULIZIA DEL TAGLIASIEPI, NON IMMERGERLO IN ACQUA O ALTRI LIQUIDI.

PULIRE IL TAGLIASIEPI

- Rimuovere la polvere, le foglie e i ritagli dal tagliasiepi.
- Liberare le bocchette dell'aria per garantire un adeguato flusso dell'aria e prevenire il surriscaldamento.
- Pulire il corpo motore con un panno pulito imbevuto di una soluzione di sapone neutro e acqua.
- Non utilizzare mai detersivi o solventi aggressivi.

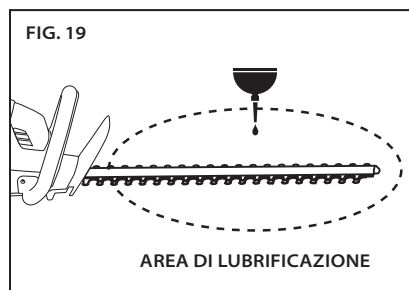
ESAMINARE LE LAME TAGLIANTI

Accertarsi che le lame taglienti siano affilate, non presentino graffi o margini spuntati e non rimangano sospese o impigliate quando il tagliasiepi è in funzione. Periodicamente, limare i graffi e le sbavature sulle lame per garantire che si muovano liberamente. Le lame taglienti affilate e con movimento libero tagliano più facilmente di quelle non affilate o incastrate.

CURA DELLE LAME

Quando si tagliano le siepi con molta linfa o in ambienti polverosi, l'accumulo di linfa e polvere possono far sì che le lame occasionalmente si incastrino. Per evitare questa condizione di lame incastrate, pulirle con un leggero strato di lubrificante liquido al silicone, soltanto sull'area di lubrificazione delle lame taglienti (Fig. 19) e azionare le lame brevemente per distribuire bene il lubrificante.

IMPORTANTE: NON LASCIARE CHE IL LUBRIFICANTE GOCCIOLI ALL'INTERNO DELLA STRUTTURA DEL TAGLIASIEPI. NON USARE MAI SOLVENTI AL GRASSO O PRODOTTI SPRAY ANTI-ACQUA. NON LUBRIFICARE ECCESSIVAMENTE.



ESAMINARE LA COPERTURA DI SICUREZZA DELLA PUNTA

Se una copertura di sicurezza della punta è installata, verificare che non sia piegata o rotta. La copertura di sicurezza della punta può impedire il libero movimento delle lame taglienti. Se la copertura di sicurezza della punta è piegata o rotta, sostituirla presso un centro di assistenza autorizzato.

INSTALLARE IL COPRILAMA

Far scorrere il coprilama sulle lame taglienti per mantenerle pulite e per impedire che si impiglino o taglino persone od oggetti.

ESAMINARE LE IMPUGNATURE

Accertarsi che sia l'impugnatura frontale che l'impugnatura posteriore siano pulite, asciutte e prive di incrinature o altri danni. Un'impugnatura danneggiata che si rompe durante l'uso può causare gravi danni personali.

CONTROLLARE L'ALLOGGIAMENTO BATTERIA

Accertarsi che l'alloggiamento batteria sia pulito, asciutto e privo di detriti. La presenza di detriti nell'alloggiamento batteria può impedire una buona connessione elettrica tra il gruppo batterie e il tagliasiepi.

GRUPPO BATTERIE

⚠ AVVERTENZA: IL GRUPPO BATTERIE NON PRESENTA PARTI CHE POSSANO ESSERE RIPARATE DALL'UTENTE. NON DISASSEMBLARE.

Le batterie agli ioni di litio hanno una durata predeterminata. Se la durata del tempo di taglio per ciascuna carica diminuisce notevolmente, vuol dire che il gruppo batterie è giunto alla fine della sua vita utile e deve essere sostituito.

- Accertarsi che il gruppo batterie, compresi i contatti, sia pulito, asciutto e non presenti segni di foratura, impatto o altri danni. Le batterie rotte possono causare incendi o emettere sostanze chimiche pericolose.
- Pulire i contatti sporchi con un panno asciutto e morbido. La presenza di sporco o olio può causare una connessione elettrica scadente e comportare una perdita di alimentazione.

CARICATORE

- Staccare il caricatore dalla presa elettrica.
- Pulire i contatti sporchi con un panno asciutto e morbido.

RISOLUZIONE DEI PROBLEMI

Usare questa tabella per individuare possibili soluzioni per gli eventuali problemi con il tagliaiepi. Se questi suggerimenti non risolvono il problema, consultare "Informazioni sull'assistenza e il supporto".

SINTOMO	POSSIBILE CAUSA	AZIONI RACCOMANDATE
Il motore non funziona o funziona a intermittenza	Batteria scarica	Ricaricare. Consultare "Ricarica del gruppo batterie".
	Interruttore dell'impugnatura frontale o blocco meccanismo a scatto non attivati	Affermare l'interruttore dell'impugnatura frontale e tirare all'indietro il blocco meccanismo a scatto, prima di stringere il meccanismo a scatto. Consultare "Avvio del tagliaiepi".
	La batteria non è completamente inserita	Premere il gruppo batterie nell'alloggiamento batteria fino a sentire uno scatto quando si blocca in posizione.
	La batteria contiene sporco	Rimuovere il gruppo batterie, rimuovere i detriti dall'alloggiamento batteria e quindi strofinare i contatti con un panno pulito e asciutto.
	Gruppo batterie freddo	Consentire al gruppo batterie di riscaldarsi fino alla temperatura di funzionamento minima di 0° C (32° F).
Il motore è attivo, ma le lame taglienti non si spostano	Un oggetto impedisce il movimento delle lame taglienti	Consultare "Correzione del blocco della lama".
Il tagliaiepi non taglia adeguatamente	L'accumulo di resina impedisce il movimento del tagliaiepi	Consultare "Cura delle lame".
	Le lame taglienti non sono affilate	Far eseguire l'affilatura professionale delle lame taglienti.
Il gruppo batterie non si ricarica	Il gruppo batterie al di sotto/al di sopra della temperatura di sicurezza è attivo	Questo può accadere quando il tagliaiepi è continuamente in funzione o è esposto ad alte temperature ambientali. Lasciare che il gruppo batterie raggiunga il livello di temperatura consentito prima di ricaricare. Consultare "Ricarica del gruppo batterie".
	Contatti sporchi o danneggiati sul gruppo batterie o sul caricatore	Controllare i contatti sia sul gruppo batterie che sul caricatore. Pulire come descritto in "Manutenzione e pulizia", quindi reinserire nel caricatore ed accertarsi che sia perfettamente posizionato.
	Il gruppo batterie è al termine del suo ciclo	Tutte le batterie hanno un ciclo di vita limitato. Se il gruppo batterie ha più di due anni o è stato ricaricato spesso, potrebbe essere il caso di sostituirlo. Sostituire soltanto con il gruppo batterie specificato per questo tagliaiepi.
	Caricatore difettoso	Far controllare la funzione presso un centro di assistenza autorizzato.

SINTOMO	POSSIBILE CAUSA	AZIONI RACCOMANDATE
Tempo di taglio ridotto per ciascuna carica della batteria	Le lame taglienti non sono affilate	Far eseguire l'affilatura professionale delle lame taglienti.
	Lame taglienti usurate	Far sostituire le lame taglienti presso un centro di assistenza autorizzato.
	Lame taglienti piegate	Far sostituire le lame taglienti presso un centro di assistenza autorizzato.
	Tecnica di taglio inadeguata	Seguire le linee guida in "Taglio di base".
	Velocità di taglio superiore al necessario	Applicare una pressione inferiore al meccanismo a scatto.
	L'accumulo di resina impedisce il movimento del tagliasiepi	Consultare "Cura delle lame".
	Gruppo batterie non completamente carico	Consultare "Ricarica del gruppo batterie".
Luce arancione intermittente sull'indicatore dello stato di carica	Cortocircuito del caricatore, caricatore sovracorrente, superamento dei limiti di tensione, circuito aperto nel gruppo batterie, errore di timeout in carica o prima della carica	<ol style="list-style-type: none"> 1. Accertarsi che il cavo del caricatore sia collegato al caricatore e alla presa elettrica. 2. Assicurarsi che il caricatore riceva la corretta tensione. 3. Provare a caricare un altro gruppo batterie progettato per questo caricatore. Se il problema persiste, far controllare la funzione presso un centro di servizio autorizzato

GARANZIA E ASSISTENZA

GARANZIA

Blount, Inc. garantisce tutti gli strumenti a batteria, i gruppi batterie e i caricatori OREGON® per un periodo di due (2) anni, a partire dalla data di acquisto e di un (1) anno se utilizzati per fini commerciali. Questa garanzia limitata riguarda i prodotti fabbricati di OREGON® Cordless Tool System. Durante il periodo di garanzia, Blount provvederà a sostituire o, a sua discrezione, riparare gratuitamente, solo per l'acquirente originale, qualsiasi prodotto o parte di esso su cui vengano riscontrati difetti di origine e/o fabbricazione, dopo attenta verifica da parte di Blount. I costi di trasporto saranno a carico dell'acquirente, insieme a qualsiasi altro costo associato alla rimozione di qualunque parte soggetta a sostituzione ai sensi della presente garanzia.

CONSERVARE LA RICEVUTA ORIGINALE

Si prega di allegare la ricevuta originale ottenuta al momento dell'acquisto iniziale al presente manuale e di archiviare il tutto. Per ottenere l'assistenza su garanzia, consegnare il prodotto e la ricevuta al rivenditore presso il quale il prodotto è stato acquistato. In alternativa, è possibile contattarci attenendosi alle informazioni fornite in "Assistenza clienti per paese".

INFORMAZIONI SULL'ASSISTENZA E IL SUPPORTO

Per informazioni sul centro assistenza, visitare il sito Web **OregonCordless.com** oppure contattare l'assistenza clienti per chiedere supporto, consulenza tecnica aggiuntiva, riparazioni o parti di ricambio. Per i numeri di telefono specifici per il paese di residenza, vedere "Assistenza clienti per paese".

Per motivi di sicurezza, si raccomanda di utilizzare esclusivamente parti di ricambio originali di fabbrica sull'utensile a motore. Il nostro centro assistenza è gestito da personale qualificato ed efficiente, in grado di fornire supporto e consulenza per le regolazioni, riparazioni o sostituzioni di tutti i prodotti di OREGON® Cordless Tool System.

CE - DICHIARAZIONE DI CONFORMITÀ

Blount International Inc. 4909 SE International Way, Portland, Oregon, 97222, USA

DICHIARA CHE IL(I) SEGUENTE(I) PRODOTTO(I):

Modello(i) del tagliasiepi alimentato a batteria: **HT255**

Caricabatterie C600

SONO CONFORMI ALLE SEGUENTI DIRETTIVE E STANDARD EUROPEI:

DIRETTIVE CE:

DIRETTIVA SUI MACCHINARI
2006/42/CE

RAPPRESENTANTE AZIENDALE:

**CONTATTO PER LE SCHEDE
TECNICHE EUROPEE:**



Kevin Cyrus
Manager – Conformità e sicurezza dei
prodotti
Blount International Inc.
Portland, OR 97222, USA

Marnix Kuypers
Blount International-Europe-S. A.
Rue Emile Francqui, 5
B 1435 Mont-Saint-Guibert
Belgio

DATA/LUOGO:

10 luglio 2012, Portland, OR, USA

INHOUDSOPGAVE

SYMBOLLEN EN LABELS	258
VEILIGHEIDSRREGELS	259
ALGEMENE VEILIGHEIDSWAARSCHUWINGEN VOOR ELEKTRISCH GEREEDSCHAP	259
VEILIGHEID IN DE WERKRUIJITE	259
ELEKTRISCHE VEILIGHEID	259
PERSOONLIJKE VEILIGHEID	260
GEBRUIK EN VERZORGING VAN ELEKTRISCH GEREEDSCHAP	261
GEBRUIK EN VERZORGING VAN DE ACCU	261
SERVICE	261
HEGGENSCHAAR	261
VEILIGHEIDSWAARSCHUWINGEN	261
OPSLAG, TRANSPORT EN AFVAL	262
VEILIGHEID OPLADER	264
PRODUCTIDENTIFICATIE	265
SPECIFICATIES EN ONDERDELEN	266
HEGGENSCHAAR BENAMINGEN EN TERMINOLOGIE	267
BEDIENING VAN DE HEGGENSCHAAR	268
UITPAKKEN	268
ACCU EN OPLADER	268
ALGEMENE BEDIENING	270
DE HEG SNOEIEN	272
ONDERHOUD EN REINIGING	274
HEGGENSCHAAR	274
ACCU	275
OPLADER	275
PROBLEMEN OPLOSSEN	276
GARANTIE EN SERVICE	278
EC - CONFORMITEITSVERKLARING	279
KLANTENSERVICE PER LAND	418

SYMBOL EN LABELS

SYMBOOL	NAAM	UITLEG
	CONSTRUCTIE- KLASSE II	TOEGEWEEZEN DUBBEL GEÏSOLEERD BOUWGEREEDSCHAP
	VEILIGHEIDS- WAARSCHUWING- SYMBOOL	GEEFT AAN DAT DE VOLGENDE TEKST EEN MELDING OVER GEVAAR, EEN WAARSCHUWING OF EEN VOORZORGSMAATREGEEL BEVAT.
	LEES DE INSTRUCTIES	DE ORIGINELE GEBRUIKSAANWIJZING BEVAT BELANGRIJKE INFORMATIE BETREFFENDE VEILIGHEID EN BEDIENING. LEES DEZE GEBRUIKSAANWIJZING ZORGVULDIG EN VOLG DEZE OP.
	DRAAG OOGBESCHERMING	DRAAG OOGBESCHERMING BIJ DE BEDIENING VAN DE HEGGENSCHAAR.
	DRAAG HANDBESCHERMING	DRAAG HANDSCHOENEN BIJ HET GEBRUIK VAN DE HEGGENSCHAAR EN BIJ HET HANTEREN VAN DE SNIJBLADEN.
	GELUIDSNIVEAU	HET GELUIDSNIVEAU IS 74 DB.
	GREEP MET TWEE HANDEN	HOUD DE HEGGENSCHAAR MET TWEE HANDEN VAST.
	GREEP MET ÉÉN HAND.	HOUD DE HEGGENSCHAAR NIET MET ÉÉN HAND VAST.
	NIET AANSTEKEN	NIET IN OPEN VUUR GOOIEN.
	NIET WEGDOEN	NIET BIJ HET HUISHOUDELIJK AFVAL GOOIEN. BRENG DE HEGGENSCHAAR NAAR EEN ERKEND INZAMELPUNT.
	NIET BLOOTSTELLEN AAN REGEN	GEBRUIK DE OPLADER NIET IN EEN VOCHTIGE OMGEVING.
	UITSLUITEND VOOR GEBRUIK BINNENSHUIS	UITSLUITEND BEDOELD VOOR GEBRUIK BINNENSHUIS.
	CONTROLEER DE STROOMTOEVOER	CONTROLEER DE STROOMTOEVOER VAN DE OPLADER EN DE KABEL REGELMATIG OP SCHADE.
	WERKINGS- TEMPERATUUR	GEBRUIK DE ACCU UITSLUITEND BIJ TEMPERATUREN TUSSEN DE 0°C EN 40°C.
	SNIJGEREEDSCHAP	SNIJGEREEDSCHAP. RAAK DE SNIJBLADEN NIET AAN ZONDER DE HEGGENSCHAAR EERST UIT TE SCHAKELEN DOOR DE ACCU TE VERWIJDEREN.

INLEIDING

Deze heggenschaar is ontworpen voor regelmatig onderhoud en knippen. De heggenschaar is niet ontworpen om takken te knippen met een doorsnede van meer dan 19 mm. Ander gebruik kan letsel veroorzaken en is niet toegestaan.

VEILIGHEIDSREGELS

ALGEMENE VEILIGHEIDSWAARSCHUWINGEN VOOR ELEKTRISCH GEREEDSCHAP

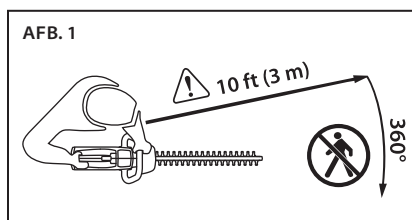
⚠ WAARSCHUWING: ZORG ERVOOR DAT U ALLE VEILIGHEIDSWAARSCHUWINGEN EN ALLE INSTRUCTIES GELEZEN EN BEGREPEN HEEFT. HET NIET OPVOLGEN VAN VEILIGHEIDSWAARSCHUWINGEN KAN LEIDEN TOT EEN ELEKTRISCH SCHOK, BRAND EN/OF ERNSTIG LETSEL.



BEWAAR ALLE WAARSCHUWINGEN EN INSTRUCTIES OM DEZE IN DE TOEKOMST TE KUNNEN RAADPLEGEN. DE TERM 'ELEKTRISCH GEREEDSCHAP' IN DE WAARSCHUWINGEN VERWIJST NAAR UW ELEKTRISCHE GEREEDSCHAP WERKEND OP ELEKTRICITEIT (VIA EEN ELEKTRICITEITSKABEL) OF OP EEN ACCU (DRAADLOOS).

VEILIGHEID IN DE WERKRUIMTE

- Houd de werkruimte schoon en goed verlicht. *Rommelige en donkere ruimtes vragen om ongelukken.*
- Gebruik elektrisch gereedschap in geen geval in explosieve ruimtes, zoals in de nabijheid van brandbare vloeistoffen, gasen of stof. *Elektrisch gereedschap creëert vonken die stof of damp in brand kunnen steken.*
- Houd kinderen en omstanders uit de buurt terwijl u gebruikmaakt van elektrisch gereedschap (Afb. 1). *Afleiding kan er toe leiden dat u de controle verliest.*



⚠ LET OP: ZORG VOOR EEN VEILIGHEIDSZONE VOOR OMSTANDERS VAN 3 METER ALVORENS DIT GEREEDSCHAP TE GEBRUIKEN. *De veiligheidszone van omstanders in een cirkel van 3 meter rondom de bediener die vrij dient te blijven van omstanders, kinderen en huisdieren.*

ELEKTRISCHE VEILIGHEID

- De stekkers van elektrisch gereedschap dienen overeen te komen met het stopcontact. Verander in geen geval iets aan de stekker. Maak geen gebruik van stekkeradapters voor elektrisch gereedschap met gearde stekkers. *Ongewijzigde stekkers en bijpassende stopcontacten reduceren de kans op een elektrische schok.*
- Vermijd lichamelijk contact met gearde oppervlakken, zoals leidingen, radiatoren, fornuizen en koelkasten. *Er bestaat een verhoogde kans op elektrische schok als uw lichaam geard is.*
- Stel elektrisch gereedschap niet bloot aan regen of vochtige omstandigheden. *Water dat in elektrisch gereedschap komt, verhoogt de kans op een elektrische schok.*
- Behandel de kabel niet verkeerd. Gebruik de kabel in geen geval om het elektrische gereedschap te dragen, voort te trekken of los te koppelen van de stroomvoorziening. Houd de kabel uit de buurt van hitte, olie, scherpe hoeken of bewegende delen. *Beschadigde of verwarde kabels verhogen de kans op een elektrische schok.*
- Wanneer elektrisch gereedschap buitenshuis wordt gehanteerd, maak dan gebruik van een verlengsnoer dat geschikt is voor buitengebruik. *Het gebruik van een kabel die geschikt is voor buitengebruik verlaagt de kans op een elektrische schok.*

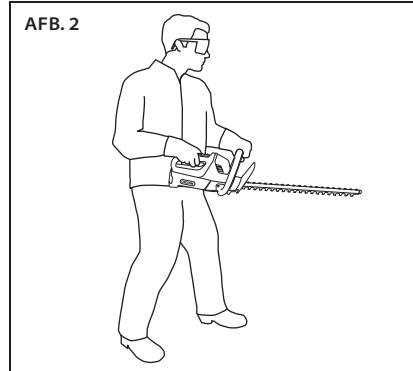
- Als het gebruik van elektrisch gereedschap in een vochtige omgeving onvermijdelijk is, maak dan gebruik van een elektriciteitstoevoer beschermd door middel van een aardlekschakelaar en gearde verliesstroomonderbreker. *Het gebruik van een aardlekschakelaar reduceert de kans op een elektrische schok.*
- Verwijder de stekker uit de stroomtoevoer als de kabel beschadigd of gesneden is.

PERSOONLIJKE VEILIGHEID



- Blijf alert, kijk uit wat u doet en gebruik uw gezond verstand wanneer u elektrisch gereedschap gebruikt. Gebruik uw elektrische gereedschap niet wanneer u moe bent, of onder de invloed van drugs, alcohol of medicatie. *Een moment van onoplettendheid terwijl u gebruikmaakt van elektrisch gereedschap, kan leiden tot ernstig persoonlijk letsel.*
- Maak gebruik van persoonlijke beschermingsmiddelen. Draag te allen tijde oogbescherming. *Beschermende uitrusting, zoals een stofmasker, antislip veiligheidsschoenen, een helm of gehoorbescherming geschikt voor de omstandigheden, verlaagt de kans op persoonlijk letsel.*
- Voorkom onbedoeld starten. Zorg ervoor dat de knop in de uit-stand staat alvorens het apparaat aan te sluiten op stroomvoorziening en/of de accu, en alvorens het gereedschap op te pakken of te dragen. *Het dragen van elektrisch gereedschap met uw vinger op de knop of elektrisch gereedschap van stroom voorzien waarvan de aan-/uitknop op 'aan' staat, vraagt om ongelukken.*
- Verwijder eventuele sleutels of spanners, alvorens het elektrische gereedschap te activeren. *Een achtergebleven sleutel die aan een roterend gedeelte van het elektrische gereedschap is blijven zitten, kan resulteren in persoonlijk letsel.*

- Reik niet te ver. Behoud te allen tijde voldoende vaste grond onder de voeten en behoud uw evenwicht (Afb. 2). *Dit zorgt voor een betere controle over het elektrische gereedschap in onverwachte situaties.*



- Draag geschikte kleding. Draag geen loszittende kleding of sieraden. Houd uw haar, kleding en handschoenen uit de buurt van bewegende delen. *Losse kleding, sieraden en lang haar kunnen in bewegende delen verstrikt raken.*
- Als apparaten zijn uitgerust met onderdelen voor het verzamelen van stof of andere materialen, zorg er dan voor dat deze zijn aangesloten en correct worden gebruikt. *Het verzamelen van stof kan stofgerelateerde gevaren reduceren.*
- Langdurig gebruik van elektrisch gereedschap kan leiden tot hartstoornissen, spierstoornissen of neurologische stoornissen (zoals het witte-vingersyndroom of het syndroom van Raynaud). *Volg de volgende instructies op om de kans op letsel te verkleinen:*
 - Draag handschoenen en houd de handen en het lichaam warm.
 - Houd een vaste grip op de heggenschaar, maar zet er geen overmatige druk op.
 - Neem regelmatig pauzes.

De vibratie kan bij normaal gebruik verschillen van de opgegeven waarden, afhankelijk van het materiaal dat gesneden wordt, het onderhoud van het snijsysteem en andere factoren.

GEbruik EN VERZORGING VAN ELEKTRISCH GEREEDSCHAP

- Forceer het elektrische gereedschap niet. Gebruik het juiste elektrische gereedschap voor uw toepassing. *Het juiste elektrische gereedschap voorziet beter en veiliger in de taak op de snelheid waarvoor het ontworpen is.*
- Gebruik het elektrische gereedschap niet als de stroomschakelaar ervan niet werkt. *Elektrisch gereedschap dat niet door middel van een knop kan worden bediend, is gevaarlijk en dient te worden gerepareerd.*
- Trek de stekker uit het stopcontact en/of verwijder de accu uit het elektrische gereedschap alvorens aanpassingen te maken, accessoires te wijzigen of elektrisch gereedschap op te bergen. *Dergelijke preventieve veiligheidsmaatregelen verlagen de kans op per ongeluk starten van het elektrische gereedschap.*



- Berg elektrisch gereedschap dat niet in gebruik is, buiten bereik van kinderen op en sta niet toe dat het elektrische gereedschap wordt gebruikt door personen die niet bekend zijn met het elektrische gereedschap of deze gebruiksaanwijzing. *Elektrisch gereedschap is gevaarlijk in handen van ongetrainde gebruikers.*
- Onderhoud van elektrisch gereedschap. Controleer op gebreken in de uitlijning of de verbindingen van bewegende delen, breuk van delen en iedere andere conditie die de bediening van het elektrische gereedschap kunnen beïnvloeden. Laat het elektrische gereedschap in geval van beschadiging, vóór gebruik repareren. *Veel ongelukken worden veroorzaakt door slecht onderhouden elektrisch gereedschap.*
- Houd snijgereedschap scherp en schoon. *Goed onderhouden snijgereedschap met scherpe snijvlakken loopt minder snel vast en is eenvoudiger te controleren.*
- Gebruik het elektrische gereedschap, accessoires en gereedschapsonderdelen enz. overeenkomstig deze instructies, rekening houdend met de werkomstandigheden en het uit te voeren werk. *Het gebruik van het elektrische gereedschap voor handelingen die afwijken van het doel van het gereedschap, kan leiden tot een gevaarlijke situatie.*

GEbruik EN VERZORGING VAN DE ACCU

- Uitsluitend opladen door middel van een door de fabrikant voorgeschreven oplader. *Een oplader die geschikt is voor een bepaalde soort accu, kan in combinatie met een andere soort accu, leiden tot brandgevaar.*
- Gebruik elektrisch gereedschap uitsluitend met de aangewezen accu's. *Het gebruik van ieder ander soort accu kan resulteren in risico op letsel en brand.*
- Als de accu niet in gebruik is, houd deze dan uit de buurt van andere metalen voorwerpen, zoals paperclips, munten, sleutels, spijkers, schroeven of andere kleine metalen voorwerpen die een verbinding van de ene pool naar de andere tot stand kunnen brengen. *Het aan elkaar verbinden van de accupolen kan brand of brandwonden tot gevolg hebben.*
- Door verkeerd gebruik kan vloeistof uit de accu lekken; vermijd elk contact met deze vloeistof. *Als er per abuis toch contact met de vloeistof ontstaat, spoel dan met water. Als de vloeistof contact maakt met de ogen, vraag dan meteen om medische hulp. Vloeistof afkomstig uit de accu kan leiden tot irritatie of brandwonden.*

SERVICE

Laat uw elektrische gereedschap onderhouden door een erkende monteur die voor vervanging uitsluitend gebruikmaakt van originele onderdelen. Dit garandeert de veiligheid van het elektrische gereedschap.

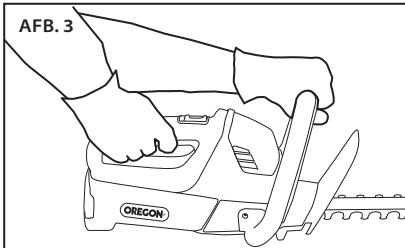
HEGGENSCHAAR VEILIGHEIDSWAARSCHUWINGEN



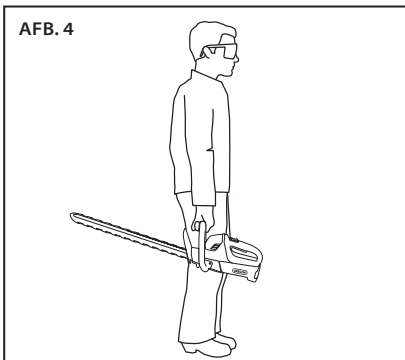
⚠ GEVAAR: HOUD UW HANDEN UIT DE BUURT VAN HET SNIJBLAD. CONTACT MET HET SNIJBLAD RESULTEERT IN ERNSTIG PERSOONLIJK LETSEL.

⚠ WAARSCHUWING: UITSLUITEND GEBRUIKEN MET EEN HANDVAT EN DE HANDBESCHERMER DIE CORRECT OP DE HEGGENSCHAAR GEMONTEERD ZIJN. HET GEBRUIK VAN DE HEGGENSCHAAR ZONDER DE JUISTE BIJGELEVERDE HANDBESCHERMER OF HANDVAT TE GEBRUIKEN, KAN RESULTEREN IN ERNSTIG PERSOONLIJK LETSEL.

- Gebruik beide handen bij de bediening van de heggenschaar. Het gebruik van één hand kan leiden tot controleverlies en resulteren in ernstig persoonlijk letsel (Afb. 3).



- Houd alle lichaamsdelen uit de buurt van het snijblad. Verwijder geen gesneden materiaal en houd materiaal niet vast terwijl de snijbladen in beweging zijn. Zorg ervoor dat de knop is uitgeschakeld wanneer vastgelopen materiaal wordt verwijderd. De snijbladen bevinden zich in vrijloop wanneer ze niet in gebruik zijn. Een moment van onoplettendheid tijdens het gebruik van uw heggenschaar kan leiden tot ernstig persoonlijk letsel.
- Draag de heggenschaar door middel van het handvat met het snijblad stopgezet (Afb. 4). Plaats tijdens transport en het bewaren altijd de hoes over het snijapparaat. Correcte hantering van de heggenschaar verlaagt de kans op persoonlijk letsel door de snijbladen.



- Houd het elektrische gereedschap uitsluitend vast aan de geïsoleerde grijppoppervlakken, want het snijblad kan contact maken met verborgen kabels of diens eigen stroomkabel. Snijbladen die contact maken met een kabel onder stroom kunnen metalen onderdelen van het elektrische gereedschap onder stroom zetten en de bediener een elektrische schok geven.
- Deze heggenschaar heeft geen onderdelen die door de gebruiker kunnen worden onderhouden. Voor het vervangen van snijbladen, service en reparatie is speciale training vereist. Zie 'Service- en ondersteuningsinformatie'.

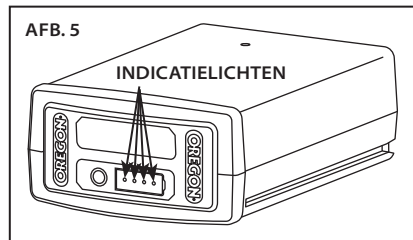
OPSLAG, TRANSPORT EN AFVAL OPSLAG VAN DE HEGGENSCHAAR

- Breng smeermiddel aan op de snijbladen. Zie 'Onderhoud en reiniging' voor meer informatie.
- Verwijder de accu uit de heggenschaar.
- Reinig de heggenschaar grondig.
- Plaats de hoes over de snijbladen.
- Bewaar de oplader op een droge plek.
- Houd de oplader buiten bereik van kinderen en huisdieren.

OPSLAG VAN DE ACCU

Hanteer de volgende richtlijnen wanneer de accu langer dan negen maanden wordt opgeborgen:

- Verwijder de accu uit de heggenschaar of oplader.
- Bewaar de accu op een koele, droge plek.
- Houd de oplader buiten bereik van kinderen en huisdieren.
- Voor een langere levensduur, bewaar de accu nooit volledig leeg (Afb. 5).



- Opbergen bij temperaturen tussen de -20°C en de 30°C.



OPSLAG VAN DE OPLADER

- Verwijder de accu uit de oplader.
- Koppel de oplader los van de stroomvoorziening.
- Bewaar de oplader op een droge plek.
- Houd de oplader buiten bereik van kinderen en huisdieren.

Zie 'Onderhoud en reiniging' voor meer informatie.

VERVOER VAN DE HEGGENSCHAAR

Bereid de heggenschaar voor zoals beschreven in 'Opslag van de heggenschaar', alvorens deze te vervoeren.

VERVOER VAN DE ACCU

Houd rekening met de respectievelijke nationale regelgeving bij het vervoer van lithium-ion-accu's. Verplichte labeling kan een vereiste zijn.

WEGDOEN VAN HEGGENSCHAAR EN OPLADER

Het OREGON®-product is ontworpen en gemaakt met materialen van hoge kwaliteit en onderdelen die kunnen worden gerecycled en hergebruikt. Aan het einde van de levensduur van het product, en conform de Europese richtlijn 2002/95/EG, dient een elektrisch apparaat gescheiden van huishoudelijk afval te worden weggedaan. In de Europese Unie is er sprake van aparte inzamelingssystemen voor gebruikte elektrische en elektronische producten. Doe deze apparatuur weg op een milieutechnisch correcte wijze in een afvalinzamelpunt of recyclingcentrum ter plaatse.

WEGDOEN VAN DE ACCU

Doe de accu niet weg bij het normale huishoudelijke afval. Accu niet aansteken. Lokale afvalmanagement- en recyclebedrijven kunnen u informeren over de correcte manier van wegdoen of recycling volgens de milieuwetgeving.



VEILIGHEID ACCU

⚠ GEVAAR: HET NIET OPVOLGEN VAN DEZE VEILIGHEIDSREGELS KAN ER TOE LEIDEN DAT GEVAARLIJKE CHEMICALIËN UIT DE ACCU LEKKEN, DAT DE ACCU OVERVERHIT RAAKT, ROOK UITSTOOT, BARST, ONTPLOFT EN/OF ONTBRANDT.

⚠ LET OP: GOOI DE ACCU NIET WEG MET HET HUISHOUELIJK AFVAL OF IN VUUR. LITHIUM-ION-ACCU'S DIENEN TE WORDEN INGELEVERD BIJ EEN ERKEND INZAMELPUNT OM TE WORDEN GERECYCLED.

⚠ LET OP: STEL DE ACCU NIET BLOOT AAN OVERMATIGE HITTE, ZOALS IN EEN AUTO TIJDENS WARM WEER. DERGELIJKE BLOOTSTELLING KAN LEIDEN TOT PRESTATIEVERLIES EN/OF KORTERE LEVENSDUUR. PROBEER EEN NIET-HERLAADBARE ACCU NIET OP TE LADEN.

- Haal een accu niet uit elkaar en breng er geen wijzigingen op aan. Dit kan veiligheidsfuncties beschadigen.
- Verbind de positieve (+) en negatieve (-) polen niet met metalen voorwerpen en sla de accu niet op in de buurt van metalen voorwerpen zoals munten of schroeven. Dit kan leiden tot kortsluiting waarbij voldoende hitte vrijkomt om brandwonden tot gevolg te hebben.
- Steek de accu niet in brand en stel deze niet bloot aan overmatige hitte. Dit kan de isolatie smelten of veiligheidsfuncties beschadigen.

- Gebruik het apparaat niet en sla het niet op bij temperaturen hoger dan 80°C. Dit kan zorgen voor oververhitting en interne kortsluiting.
- Stel niet bloot aan extreem vochtige omstandigheden. Dit kan veiligheidsfuncties beschadigen, extreem hoge stroom- en voltagedlading veroorzaken en leiden tot abnormale chemische reacties.
- Gebruik alleen de oplader die specifiek is ontworpen voor deze accu en volg de veiligheidsvoorschriften zoals omschreven in 'Veiligheid oplader'. Het gebruik van een andere oplader kan veiligheidsfuncties beschadigen, extreem hoge stroom- en voltagedlading veroorzaken en leiden tot abnormale chemische reacties.
- Gebruik geen accu's van het merk OREGON® in apparaten die niet het OREGON® merk dragen.
- De accu geen slag toedienen, doorboren of gooien; gebruik een beschadigde of vervormde accu niet.
- Als opladen niet lukt, probeer dan niet meer op te laden. Als de accu een geur afgeeft, hitte genereert, verkleurd, vervormd of op enige wijze abnormaal is in gebruik, opladen of opslag, verwijder deze dan onmiddellijk uit de heggenchaar of de oplader.
- Alle vloeistoffen die uit de accu lekken zijn bijtend, kunnen de ogen en de huid beschadigen en kunnen giftig zijn wanneer ze worden doorgeslikt.

VEILIGHEID OPLADER

BELANGRIJKE VEILIGHEIDSINSTRUCTIES

⚠ LET OP: DIT APPARAAT IS NIET BEDOELD VOOR GEBRUIK DOOR PERSONEN (INCLUSIEF KINDEREN) MET FYSIEKE, ZINTUIGELIJKE OF MENTALE BEPERKINGEN, OF EEN GEBREK AAN KENNIS, TENZIJ ONDER TOEZICHT OF INSTRUCTIE DOOR EEN PERSOON DIE VERANTWOORDELIJK IS VOOR HUN VEILIGHEID. HOUD TOEZICHT OP KINDEREN ZODAT ZE NIET MET DE APPARATEN SPELEN.

⚠ WAARSCHUWING: RISICO VAN ELEKTRISCHE SCHOK. SLUIT HET APPARAAT BIJ GEBRUIK BUITENSHUIS UITSLUITEND AAN OP EEN WANDCONTACTDOOS DIE WEERBESTENDIG IS BESCHERMD, MET DE ELEKTRICITEITSEENHEID RECHTSTREEKS AANGESLOTEN OP DE WANDCONTACTDOOS. ALS DEZE NIET WORDT GEBODEN, NEEM DAN CONTACT OP MET EEN GEKWALIFICEERD ELEKTRICIEN VOOR CORRECTE INSTALLATIE. ZORG ERVOOR DAT DE ELEKTRICITEITSEENHEID EN DE KABEL HET VOLLEDIG SLUITEN VAN HET DEKSEL VAN DE ONTVANGER NIET IN DE WEG ZITTEN.

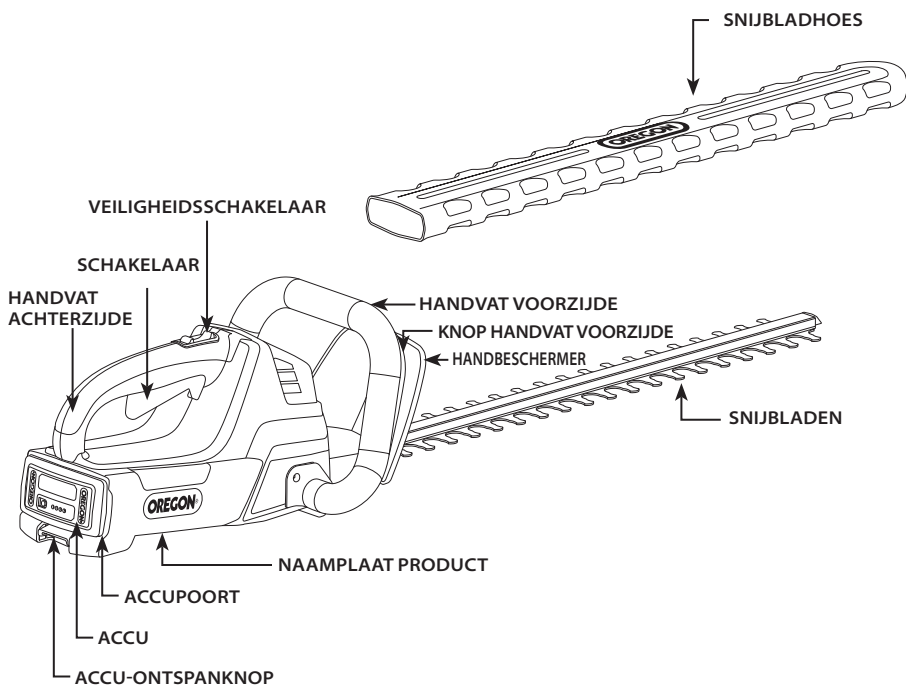
⚠ LET OP: GEBRUIK DEZE OPLADER UITSLUITEND MET DE BIJGELEVERDE ELEKTRICITEITSKABEL. DIT ZORGT ERVOOR DAT DE TOEVOERSTEKKER CORRECT AANSLUIT OP DE UITVOERWANDCONTACTDOOS.

Wanneer u elektrische apparaten gebruikt, dienen altijd een aantal basisvoorzorgmaatregelen genomen te worden, waaronder de volgende:

- Lees vóór gebruik alle veiligheidsinstructies en volg deze op. *Lees alle instructies betreffende het product of die bij het product geleverd worden, en volg deze op.*
- Bewaar deze gebruiksaanwijzing.
- Maak geen gebruik van verlengsnoeren.
- Behandel de kabel niet verkeerd. Gebruik de kabel in geen geval om het elektrische gereedschap te dragen, voort te trekken of los te koppelen van de stroomvoorziening. Houd de kabel uit de buurt van hitte, olie, scherpe hoeken of bewegende delen. *Beschadigde of verwarde kabels verhogen de kans op een elektrische schok.*
- Stel de oplader niet bloot aan regen. *Uitsluitend voor gebruik binnenshuis.*
- Niet gebruiken binnen een afstand van 3 meter van een zwembad.
- Niet gebruiken in de badkamer.

PRODUCTIDENTIFICATIE

KEN UW HEGGENSCHAAR



NB: zie 'Uitpakken' voor een lijst van inbegrepen onderdelen.

SPECIFICATIES EN ONDERDELEN

VERVANGENDE ONDERDELEN		ONDERDEELNUMMER
ACCU, MODEL B400E		548206
OPLADER MET SNOER, MODEL C600		EU - 554933 VK - 554872 AU/NZ - 560663
OPLADER MET SNOER, MODEL C750		EU - 558697 VK - 558698 AU/NZ - 558699
OPLADER, MODEL C600		
INVOER	100-240V~ 50-60HZ 60W	
UITVOER	41.5V $\overline{=}$ 1.25A	
ELEKTRICITEITSKABEL	EU - 547383 VK - 547384 AU/NZ - 559380	
ACCU, MODEL B400E		
GEWICHT	1,23 kg	
TYPE	LITHIUM-ION	
VOLTAGE, NOMINAAL	+37 VDC	
WERKINGSTEMPERATUREN	0°C TOT 40°C	
CAPACITEIT, NOMINAAL	2.4 Ah / 89 Wh	
OPLAADTIJD (BIJ BENADERING)	120 MINUTEN	
HEGGENSCHAAR		
SNIJBLADLENGTE	600 mm	
SNIJBLADTYPE	TWEEOUDIG HEEN EN WEER BEWEGEND	
MAXIMALE SNIJSNELHEID SNIJBLAD	2750 SLAGEN PER MINUUT	
MAXIMALE SNIJDIAMETER	TOT 19 mm	
GEWICHT BIJ B400E	4,4 kg	
GELUIDVERMOGENSNIVEAU	74 dB L _{WA} (K, 0,18 dB)	
TRILLING	1,16 m/s ² (K, 0,26 m/s ²)	

HEGGENSCHAAR BENAMINGEN EN TERMINOLOGIE

Verstopping van de snijbladen: een omstandigheid waarbij de snijbladen niet bewegen omdat materiaal vastzit tussen de bewegende en de stationaire onderdelen van de snijbladen.

Veiligheidszone omstanders: een cirkel van 3 meter rondom de bediener die vrij dient te blijven van omstanders, kinderen en huisdieren.

Snijbladen: de serie scherpe oppervlakken die uit de voorzijde van de heggenschaar steken en heen en weer bewegen om heggen te knippen.

Snoeiseizoen: de ideale tijd van het jaar om heggen te snoeien varieert per plantensoort, maar over het algemeen is het een goede gewoonte om te snoeien tijdens de periodes van langzame groei, nadat de bloei is afgerond. Neem contact op met een lokale kwekerij voor informatie over het snoeien van specifieke planten.

Snijsnelheid: deze heggenschaar heeft een variabele snoeisnelheid. Druk de regelklep dieper in voor een snellere snijsnelheid. Om de meeste snoeitijd uit iedere acculading te krijgen, gebruik uitsluitend de minimale benodigde snelheid om het materiaal te snijden.

Handvat voorzijde: het steunhandvat bevindt zich aan of in de buurt van de voorzijde van de heggenschaar.

Knop handvat voorzijde: een u-vormige knop aan het handvat aan de voorzijde zorgt ervoor dat de regelklep niet onbedoeld kan worden gebruikt tot deze handmatig wordt bediend.

Handbeschermer: een structurele barrière tussen het handvat aan de voorzijde van de heggenschaar en de snijbladen.

Nieuwe groei: de meest recente groei aan een plant. Deze is normaal gesproken lichter van kleur, minder houtig en flexibeler dan de rest van de plant.

Handvat achterzijde: het steunhandvat bevindt zich aan of in de buurt van de achterzijde van de heggenschaar, waar de regelklep zich bevindt.

Schakelaar: een instrument dat de snelheid van de snijbladen bepaalt.

Veiligheidsschakelaar: een beweegbare stop die de onbedoelde activering van de heggenschaar voorkomt, tot deze handmatig wordt ingesteld.

BEDIENING VAN DE HEGGENSCHAAR

UITPAKKEN

WAT ZIT ER IN DE DOOS?

De heggenschaar wordt volledig gemonteerd geleverd. De volgende artikelen worden bij de heggenschaar geleverd:

- Heggenschaar
- Snijbladhoes
- Gebruiksaanwijzing
- Oplader en elektriciteitskabel (als deze daarmee is uitgerust)
- Accu (als deze daarmee is uitgerust)

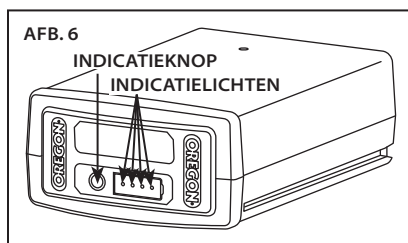
Inspecteer de heggenschaar zorgvuldig na het verwijderen uit de doos om er zeker van te zijn dat er geen schade is ontstaan tijdens het vervoer, en dat er geen onderdelen ontbreken. Als er onderdelen beschadigd zijn of ontbreken, maak dan geen gebruik van de heggenschaar. Neem voor vervangende onderdelen contact op met OREGON® Cordless Tool System. Voor landspecifieke telefoonnummers, zie 'Klantenservice per land'.

ACCU EN OPLADER

⚠ WAARSCHUWING: LAAD DE ACCU NIET OP IN DE REGEN.

ACCU LED LAADNIVEAU-INDICATOR

De lithium-ion-accu is uitgerust met een LED laadniveau-indicator. Om het laadniveau van de accu te testen, druk op de indicatielichtknop op de zijkant van de accu (Afb. 6).



Geen lichten: opladen.

Ononderbroken groen licht:
minder dan 25% opgeladen.
Accu opladen vóór gebruik.

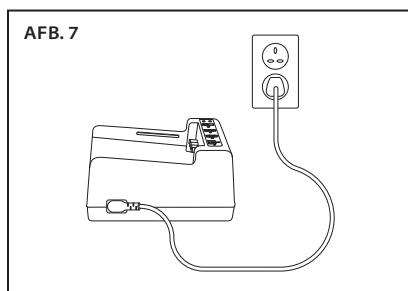
Twee ononderbroken groene lichten: 26–50% opgeladen.

Drie ononderbroken groene lichten: 51–75% opgeladen.

Vier ononderbroken groene lichten: 76–100% opgeladen.

DE OPLADER AANSLUITEN

Sluit de kabel van de oplader aan op de oplader en op de juiste wandcontactdoos (Afb. 7).



Gebruik de kabelset die bij de oplader is geleverd. Verifieer bij het eerste gebruik dat de stekersoort past bij de wandcontactdoos.

OPLADER LED OPLAADSTATUSINDICATOR

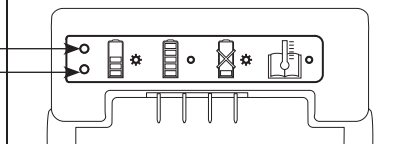
De accu-oplader is uitgerust met een LED oplaadstatusindicator die de oplaadstatus en de omstandigheden aangeeft die opladen kunnen vertragen of blokkeren (Afb. 8).

NB: tot een accu wordt geplaatst, zijn er geen lichten zichtbaar.

Knipperend oranje licht: er is sprake van een fout. Er zijn meerdere potentiële oorzaken. Zie 'Problemen oplossen' in deze gebruiksaanwijzing.

Ononderbroken oranje licht: de temperatuur van de accu bevindt zich buiten het acceptabele temperatuursbereik (0°C tot 40°C). Laat de accu een acceptabele temperatuur bereiken, alvorens deze op te laden. De accu mag in de oplader blijven zitten terwijl de temperatuur wordt aangepast. Het laden start wanneer de juiste temperatuur wordt bereikt.

AFB. 8



Knipperend groen licht: de accu is aan het opladen.

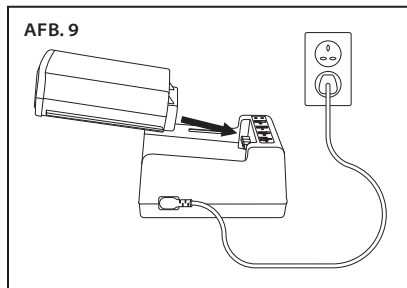
Ononderbroken groen licht: de accu is KLAAR VOOR GEBRUIK.

DE ACCU OPLADEN

⚠ WAARSCHUWING: HET NIET OPVOLGEN VAN DE JUISTE OPLAADPROCEDURES KAN LEIDEN TOT EEN TE HOOG VOLTAGE, TE HOGE STROOMTOEVOER, VERLIES VAN CONTROLE GEDURENDE HET OPLADEN, LEKKEN VAN GEVAARLIJKE CHEMICALIËN, GENEREREN VAN HITTE, BARSTEN OF BRAND.

Lijn de groeven in de accu uit met de rails op de oplader en schuif de accu op de oplader tot deze volledig past, terwijl de oplaadkabel is aangesloten op de oplader en een wandcontactdoos (Afb. 9).

AFB. 9

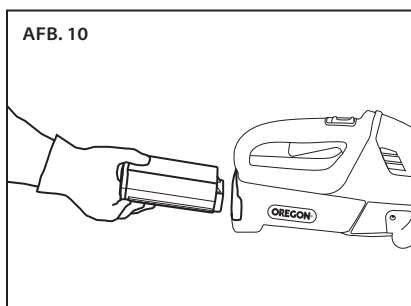


Controleer de oplaadstatusindicator voor de oplaadomstandigheden.

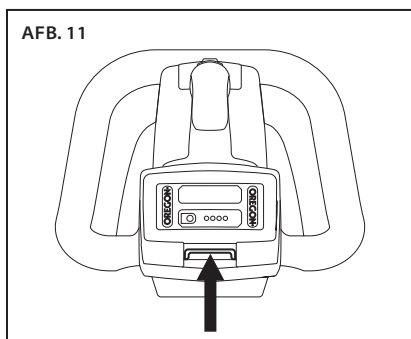
PLAATSEN EN VERWIJDEREN VAN DE ACCU

Maak uitsluitend gebruik van de accu's van het merk OREGON® waar in deze gebruiksaanwijzing naar wordt verwezen.

Lijn de groef in de accu uit met de rails aan de binnenzijde van de accupoort. Plaats de accu stevig in de accupoort van de heggenchaar door deze naar voren te duwen tot u een klik hoort en de accu vastzit op zijn plaats (Afb. 10).



Om de accu te verwijderen, tilt u de accuontspanner op en verwijdert u de accu (Afb. 11).



ALGEMENE BEDIENING



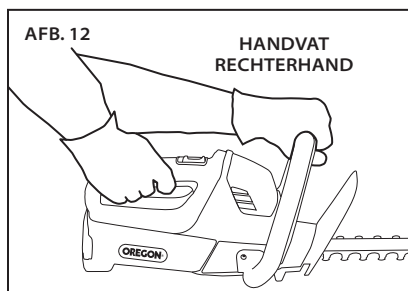
⚠ WAARSCHUWING: DRAAG TE ALLEN TIJDE DE JUISTE HANDSCHOENEN EN OOGBESCHERMING.

WERKINGSTEMPERATUUR

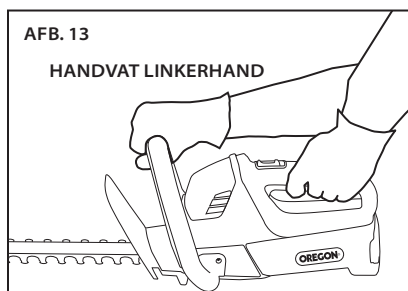
Deze heggenchaar is ontworpen om te werken binnen een temperatuursbereik van 0°C tot 40°C.

VASTHOUDEN

Houd het gereedschap altijd met twee handen vast. Voor bediening met de rechterhand, plaatst u de heggenchaar op een stevig, glad oppervlak, houdt het handvat aan de voorzijde vast met uw linkerhand en het achterste handvat met uw rechterhand. Sluit uw vingers om de bovenzijde van het handvat met de duim aan de onderzijde (Afb. 12).



Voor bediening met de linkerhand, pakt u het handvat aan de voorzijde vast met uw rechterhand en het handvat aan de achterzijde met uw linkerhand (Afb. 13).



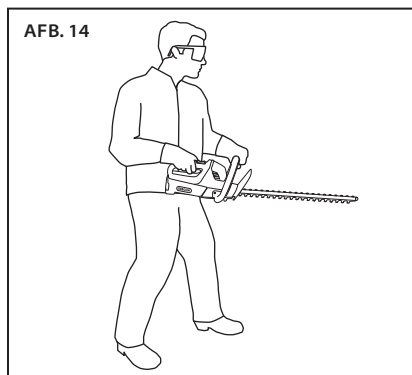
HOUDING

Sta met beide benen op vaste grond, met het gewicht gelijk over beide benen verdeeld.

Reik niet te ver en gebruik het gereedschap niet terwijl u op een ladder, keukentrap of een andere verhoging staat die niet volledig stevig is.



Houd de heggenschaar zo dicht mogelijk bij het lichaam om controle te behouden (Afb. 14).

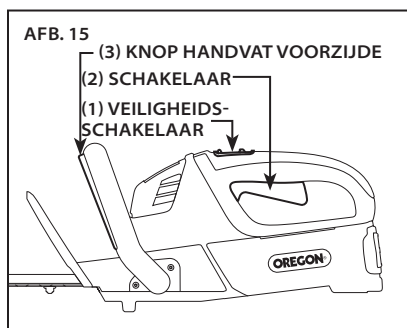


STOPZETTEN VAN DE HEGGENSCHAAR

Laat de schakelaar los om de heggenschaar stop te zetten.

STARTEN VAN DE HEGGENSCHAAR

Pak de handvatten aan de voor- en achterzijde stevig vast. Trek de veiligheidsschakelaar (1) naar achteren met uw duim (Afb. 15). Druk op de schakelaar (2) tot de snijbladen op de gewenste snelheid bewegen. Het handvat aan de voorzijde (3) is een veiligheidsfunctie; de heggenschaar start niet tot deze is geactiveerd.



CONTROLEER DE SNELHEID VAN DE SNIJBLADEN

De regelklep controleert de snelheid waarmee de snijbladen heen en weer bewegen. Druk de regelklep steviger in voor een snellere snoeisnelheid.

Gebruik de laagst benodigde druk om het materiaal te snoeien. Dit zorgt voor een langere snoeitijd per batterijlading en verlaagt het aantal benodigde oplaadmomenten.

DE HEG SNOEIEN

WANNEER TE SNOEIEN

De ideale tijd van het jaar om heggen te snoeien varieert per plantensoort, maar over het algemeen is het een goede gewoonte om te snoeien tijdens de periodes van langzame groei, nadat de bloei is afgerond. Neem contact op met een lokale kwekerij voor informatie over het snoeien van specifieke planten.

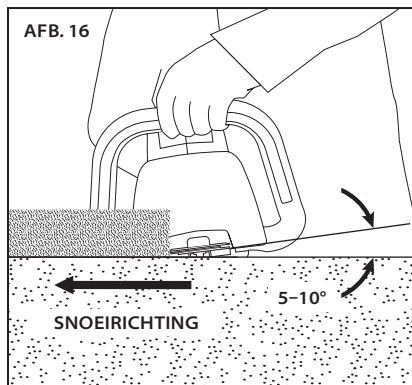
Neem alle van toepassing zijnde nationale en gemeentelijke wetten en regels voor het snoeien van heggen in overweging.

DE BASIS VAN HET SNOEIEN

▲ WAARSCHUWING: ZORG ALTIJD VOOR HOUVAST ONDER UW VOETEN EN HOUD DE HEGGENSCHAAR STEVIG VAST MET BEIDE HANDEN TERWIJL DE MOTOR DRAAIT.

Controleer de heg op vreemde objecten alvorens te beginnen met snoeien, om schade aan de snijbladen te voorkomen. Verwijder objecten die het snoeien in de weg kunnen zitten.

Zorg voor de juiste grip en houvast en start de heggenschaar. Houd de heggenschaar met de snijbladen op een hoek van 5–10° ten opzichte van de snijrichting (Afb. 16).



BELANGRIJK: DE SNIJBLADEN LOPEN ZO NU EN DAN VAST EN STOPPEN TE BEWEGEN WANNEER MATERIAAL VAST KOMT TE ZITTEN IN DE SNIJBLADEN OF WANNEER DE SNIJBLADEN CONTACT MAKEN MET EEN KABEL OF HARMONICAGAAS. ZIE 'HET CORRIGEREN VAN VASTGELOPEN SNIJBLADEN' VOOR INFORMATIE OVER HOE U DIT KUNT REPAREREN.

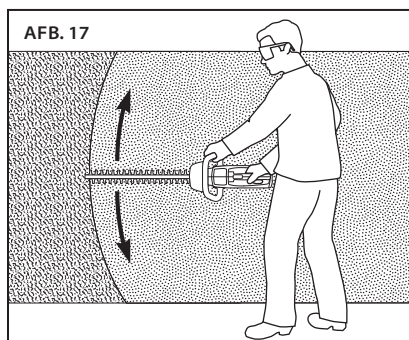
SNOEIVOLGORDE

Als de heg goed is bijgehouden, richt u dan op het snoeien van de nieuwe aangroei tot de heg de juiste vorm heeft.

Zodra grote takken zijn verwijderd, gebruik deze heggenschaar om de zijkanten van de heg bij te werken tot deze de gewenste lengte heeft. Snoei de bovenzijde van de heg als laatst, nadat de zijden zijn bijgewerkt.

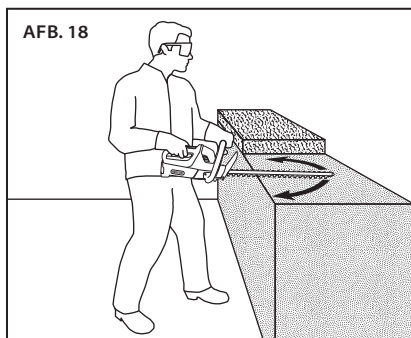
VERTICAAL SNOEIEN

Wanneer u de zijden van de heg snoeit, begint u aan de onderzijde van de heg. Houd de heggenschaar met de snijbladen op een hoek van 5–10° ten opzichte van de snijrichting. Beweeg langs de lijn van de heg. U beweegt de heggenschaar langzaam op en neer in een wijde boog (Afb. 17).



HORIZONTALAAL SNOEIEN

Start bij het snoeien van de bovenzijde van de heg bij de dichtstbijzijnde hoek. Houd de heggenschaar met de snijbladen op een hoek van 5-10° ten opzichte van de snijrichting. Beweeg u langs de lijn van de heg. U beweegt de heggenschaar langzaam van links naar rechts in een wijde boog (Afb. 18).



Als de top van de heg te hoog is om in een beweging van de heggenschaar te snoeien, leun dan in geen geval over de heg om het overgebleven deel te snoeien. Zet in plaats daarvan een stap langs de zijkant van de heg en snoei de rest vanaf de andere zijde.

CORRIGEREN VAN VASTGELOPEN SNIJBLADEN

⚠ LET OP: VERWIJDER TE ALLEN TIJDE DE ACCU ALVORENS DE SNIJBLADEN VRIJ TE MAKEN OM INCIDENTELE ACTIVATIE VAN DE SNIJBLADEN TE VOORKOMEN.

⚠ LET OP: SNIJBLADEN ZIJN SCHERP. DRAAG ALTIJD HANDSCHOENEN WANNEER U MATERIAAL VERWIJDERT VAN DE SNIJBLADEN.

Soms kan snoeisel verstopt raken tussen de bewegende delen van de snijbladen en het stationaire gedeelte, met name tijdens het snoeien van flexibele 'groene' takken. Wanneer dit gebeurt, kunnen de snijbladen opeens stil komen te staan. Dit kan ook gebeuren wanneer de snijbladen materiaal snoeien dat te dik is om te snijden, zoals harmonicagaas. Deze omstandigheid heet 'vastgelopen snijbladen'.

Volg de volgende richtlijnen om het materiaal veilig en effectief te verwijderen.

- Draag handschoenen.
- Verwijder de accu uit de heggenschaar. Zie 'De accu verwijderen'.
- Verwijder het materiaal dat de beweging van de snijbladen in de weg zit.

ONDERHOUD EN REINIGING

HEGGENSCHAAR

⚠ WAARSCHUWING: INSPECTEER DE HEGGENSCHAAR. REGELMATIGE INSPECTIE IS DE EERSTE STAP IN CORRECT ONDERHOUD. VOLG DE RICHTLIJNEN VOOR MAXIMALE VEILIGHEID EN TEVREDENHEID. LAAT EEN BESCHADIGD OF OVERMATIG VERSLETEN ONDERDEEL DIRECT VERVANGEN. HET NIET VERVANGEN VAN EEN BESCHADIGD OF VERSLETEN ONDERDEEL KAN LEIDEN TOT ERNSTIG PERSOONLIJK LETSEL.

⚠ WAARSCHUWING: VERWIJDER DE ACCU UIT DE HEGGENSCHAAR VÓÓR INSPECTIE, SCHOONMAAK OF HET PLEGEN VAN ONDERHOUD. EEN GEREEDSCHAP DAT MET EEN ACCU WORDT BEDIEND, WAAR DE ACCU IN AANWEZIG IS, KAN TE ALLEN TIJDE INCIDENTEEL STARTEN.

⚠ LET OP: DOMPEL DE HEGGENSCHAAR BIJ HET SCHOONMAKEN NIET ONDER IN WATER OF ANDERE VLOEISTOFFEN.

UW HEGGENSCHAAR REINIGEN

- Veeg stof, bladeren en snoeisel van de heggenschaar.
- Maak de luchtgaten vrij om een goede luchtstroom te garanderen en oververhitting te gaan.
- Neem de krachtcentrale af met een schone doek, bevochtigd met milde zeep en water.
- Gebruik in geen geval sterke schoonmaakmiddelen of oplosmiddelen.

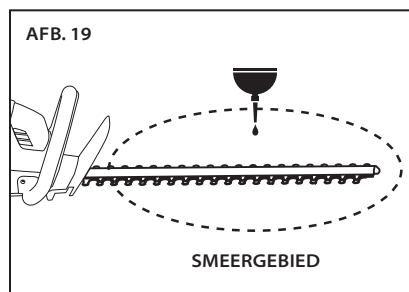
INSPECTEER DE SNIJBLADEN

Zorg ervoor dat de snijbladen scherp zijn, geen kartels of botte kanten hebben en niet gehinderd worden of haperen wanneer u de heggenschaar gebruikt. Vijl kartels en deuken regelmatig weg om er voor te zorgen dat de snijbladen vrijelijk bewegen. Scherpe en vrij-bewegende snijbladen snijden eenvoudiger dan botte of plakkerige.

VERZORGING SNIJBLADEN

Bij het snoeien van heggen met veel sap, of in stoffige omgevingen, kan de opbouw van sap en vuil ervoor zorgen dat de snijbladen aan elkaar kleven. Reinig de bladen met een lichte coating van siliconen smeervloeistof om deze plakkerigheid te voorkomen. Uitsluitend aanbrengen op het smeergebied van de snijbladen (Afb. 19) en laat de snijbladen korte tijd draaien om het smeermiddel gelijk te verdelen.

BELANGRIJK: VOORKOM DAT ER SMEERMIDDEL AAN DE BINNENKANT VAN DE HEGGENSCHAAR TERECHTKOMT. GEBRUIK NOOIT VETOPLOSSERS OF WATERVERPLAATSINGSPRODUCTEN. NIET OVERMATIG SMEREN.



INSPECTEER DE TIPBESCHERMING

Als er een tipbescherming is geïnstalleerd, controleer dan of deze niet verbogen of gebroken is. Een gebogen tipbescherming kan de bewegingsvrijheid van de snijbladen beperken. Als de tipbescherming verbogen of gebroken is, laat deze dan vervangen op een goedgekeurde servicelocatie.

PLAATS DE HOES OVER DE SNIJBLADEN

Plaats de hoes over de snijbladen om deze schoon te houden en om te voorkomen dat zij scheuren veroorzaken in voorwerpen of mensen verwonden.

INSPECTEER DE HANDVATTEN

Zorg ervoor dat de handvatten aan zowel de voor als de achterzijde schoon, droog en vrij van scheuren of andere schade zijn. Als een beschadigd handvat breekt tijdens het gebruik, kan dit resulteren in ernstig persoonlijk letsel.

INSPECTEER DE ACCUPOORT

Zorg ervoor dat de accupoort schoon, droog en vrij van overblijfselen is. Overblijfselen in de accupoort kunnen een goede elektrische verbinding tussen de accu en de heggenschaar in de weg staan.

ACCU

⚠ WAARSCHUWING: DEZE ACCU BEVAT GEEN ONDERDELEN DIE DOOR DE GEBRUIKER KUNNEN WORDEN ONDERHOUDEN OF GEREPAREERD. NIET DEMONTEREN.

Lithium-ion-accu's hebben een vooraf bepaalde levensduur. Als de snoeitijd per volle accu merkbaar afneemt, is de accu aan het einde van zijn levensduur en dient te worden vervangen.

- Zorg ervoor dat de accu, inclusief de contacten, schoon en droog is, en geen tekenen vertoont van een lek, stootschade of andersoortige schade. Kapotte accu's kunnen brand veroorzaken of gevaarlijke chemicaliën uitstoten.
- Reinig vuile contacten met een zachte, droge doek. Vuil of olie kan de oorzaak zijn van een slechte elektrische verbinding, resulterend in elektriciteitsverlies.

OPLADER

- Koppel de oplader los van de wandcontactdoos.
- Reinig vuile contacten met een zachte, droge doek.

PROBLEMEN OPLOSSEN

Gebruik deze tabel om mogelijke oplossingen op te sporen voor eventuele problemen met de heggenschaar. Als deze suggesties het probleem niet verhelpen, zie dan 'Service- en ondersteuningsinformatie'.

SYMPTOOM	MOGELIJKE OORZAAK	AANBEVOLEN ACTIES
Motor loopt niet of loopt haperend	De accu is leeg	Opladen. Zie 'De accu opladen'.
	De knop of veiligheidsschakelaar aan de voorzijde is niet geactiveerd	Pak de regelklep aan de voorzijde vast en trek de veiligheidsschakelaar terug alvorens de schakelaar terug te trekken. Zie 'Starten van de heggenschaar'.
	Accu niet volledig geplaatst	Druk de accu in de accupoort tot deze op zijn plaats klikt.
	Accucontacten vuil	Verwijder de accu, verwijder overblijfselen uit de accupoort en reinig de contacten met een schone, droge doek.
	Accu koud	Laat de accu opwarmen tot de minimale verwerkingstemperatuur van 0°C.
De motor loopt maar de snijbladen bewegen niet	Een voorwerp blokkeert de beweging van de snijbladen	Zie 'Corrigeren van vastgelopen snijbladen'.
De heggenschaar snijdt niet goed	Harsopbouw blokkeert de beweging van de snijbladen	Zie 'Verzorging snijbladen'.
	Snijbladen zijn bot	Laat de snijbladen slijpen door een professional.
De accu laadt niet	De minimale/maximale temperatuurbescherming van de accu is geactiveerd	Dit kan voorkomen wanneer de heggenschaar gedurende lange tijd wordt gebruikt of wordt blootgesteld aan hoge omgevingstemperaturen. Laat de accu een acceptabele temperatuur bereiken, alvorens deze op te laden. Zie 'De accu opladen'.
	De contacten van de accu of de oplader zijn vies of beschadigd	Inspecteer de contacten van zowel de accu als de oplader. Reinig deze zoals beschreven in 'Onderhoud en reiniging'. Plaats de accu opnieuw in de oplader en zorg ervoor dat deze zich volledig op zijn plaats bevindt.
	De accu heeft het einde van zijn levensduur bereikt	Alle accu's hebben een beperkte levensduur. Als de accu meer dan twee jaar oud is of vaak is opgeladen, is het wellicht tijd deze te vervangen. Vervang deze alleen door een accu die juist is voor deze heggenschaar.
	Defect oplader	Laat de functie controleren op een goedgekeurde servicelocatie.

SYMPTOOM	MOGELIJKE OORZAAK	AANBEVOLEN ACTIES
Lage snoeitijd per acculading	Snijbladen zijn bot	Laat de snijbladen slijpen door een professional.
	Versleten snijbladen	Laat de snijbladen vervangen op een goedgekeurde servicelocatie.
	Verbogen snijbladen	Laat de snijbladen vervangen op een goedgekeurde servicelocatie.
	Onjuiste snoeitechniek	Volg de richtlijnen in 'De basis van het snoeien'.
	Hogere snoeisnelheid dan noodzakelijk	Oefen minder druk uit op de schakelaar.
	Harsopbouw blokkeert de beweging van de snijbladen	Zie 'Verzorging snijbladen'.
	Accu niet volledig opgeladen	Zie 'De accu opladen'.
Oplaadstatus-indicatorlicht knipperend oranje	Kortsluiting oplader, oplader overbelast, te hoog voltage oplader, open stroomkring op de accu of een time-outfout tijdens of voorafgaand aan het laden	<ol style="list-style-type: none"> 1. Zorg ervoor dat de kabel van de oplader is aangesloten op zowel de oplader als de wandcontactdoos. 2. Zorg ervoor dat de oplader het juiste voltage ontvangt. 3. Probeer een andere accu op te laden die voor deze oplader is ontworpen. <p>Is het probleem hiermee niet opgelost? Laat de functie dan controleren op een goedgekeurde servicelocatie.</p>

GARANTIE EN SERVICE

GARANTIE

Blount, Inc. biedt garantie op alle OREGON® draadloze gereedschappen, accu's en opladers, gedurende een periode van (2) jaar vanaf de originele aankoop en (1) jaar als deze is gebruikt voor commerciële doelen. Deze beperkte garantie is van toepassing op de producten gefabriceerd door OREGON® Cordless Tool System. Gedurende de garantieperiode vervangt of, naar haar goeddunken, repareert Blount alleen voor de originele koper ieder product of onderdeel waarvan zij na onderzoek vaststelt dat het lijdt aan een materieel defect en/of defect door vakmanschap. De koper is verantwoordelijk voor alle transportkosten en de kosten van het verwijderen van ieder onderdeel dat onder deze garantie wordt ingestuurd ter reparatie.

BEWAAR DE ORIGINELE AANKOOPBON

Voeg de originele aankoopbon van de originele aankoop bij deze gebruiksaanwijzing en berg deze op. Breng het product voor garantieservice naar de dealer waar het product is gekocht. Of neem contact met ons op via de gegevens die u aantreft onder 'Klantenservice per land'.

SERVICE- EN ONDERSTEUNINGSINFORMATIE

Bezoek ons via internet op **OregonCordless.com** voor informatie over service centers, of neem contact op met onze afdeling klantenservice voor ondersteuning, aanvullend technisch advies of vervangende onderdelen. Voor landspecifieke telefoonnummers, zie 'Klantenservice per land'.

Voor veiligheid, uitsluitend authentieke vervangende fabrieksonderdelen gebruiken voor dit elektrische gereedschap. In ons service center werkt opgeleid personeel dat u alle ondersteuning en assistentie kan bieden betreffende aanpassing, reparatie of vervanging van alle producten van OREGON® Cordless Tool System.

EC - CONFORMITEITSVERKLARING

Blount International Inc. 4909 SE International Way, Portland Oregon, 97222 VS

VERKLAART DAT DE VOLGENDE PRODUCT(EN):

Heggenschaar met accu Model(len): **HT255**

C600 Acculader

VOLDOEN AAN DE VOLGENDE EUROPESE DIRECTIEVEN EN STANDAARDEN:

EC-DIRECTIEVEN:

MACHINERIEDIRECTIEF 2006/42/EC

BEDRIJFSVERTEGENWOORDIGER:

**EUROPEES TECHNISCH
BESTANDSCONTACT:**



Kevin Cyrus
Manager – Product Safety & Compliance
Blount International Inc.
Portland OR 97222 VS

Mr. Marnix Kuypers
Blount International-Europe-S. A.
Rue Emile Francqui, 5
B 1435 Mont-Saint-Guibert
België












DATUM/PLAATS:

10 juli 2012, Portland OR

INNHALDSFORTEGNELSE

SYMBOLER OG ETIKETTER	281
SIKKERHETSBESTEMMELSER.	282
GENERELLE SIKKERHETSVARSLER FOR ELEKTRISKE VERKTØY	282
SIKKERHET I ARBEIDSOMRÅDET	282
ELEKTRISK SIKKERHET	282
PERSONLIG SIKKERHET	283
BRUK OG VEDLIKEHOLD AV ELEKTRISK VERKTØY	284
BRUK OG VEDLIKEHOLD AV BATTERI	284
SERVICE	284
HEKKSAKS SIKKERHETSVARSLER	284
LAGRING, TRANSPORT OG AVHENDING.	285
LADERSIKKERHET	287
PRODUKTIDENTIFIKASJON	288
SPEKIFIKASJONER OG KOMPONENTER	289
NAVN OG BEGREPER FOR HEKKSAKS.	290
BRUK AV HEKKSAKSEN.	291
UTPAKKING	291
BATTERIPAKKE OG LADER	291
GENERELL OPERASJON	293
KLIPPING AV HEKKER	295
VEDLIKEHOLD OG RENGJØRING.	297
HEKKSAKS	297
BATTERIPAKKE	298
LADER	298
FEILSØKING	299
GARANTI OG SERVICE	301
EUROPAKOMMISJONEN (EC) – SAMSVARERKLÆRING	302
KUNDESERVICE ETTER LAND	418

SYMBOLER OG ETIKETTER

SYMBOL	NAVN	FORKLARING
	KLASSE II KONSTRUKSJON	ANGIR DOBBELISOLERTE KONSTRUKSJONSVERKTØY
	SIKKERHETSVARSELSYMBOL	INDIKERER AT TEKSTEN SOM FØLGER FORKLARER EN FARE, ADVARSEL ELLER FORSIKTIGHETSREGEL.
	LES INSTRUKSJONENE	DEN ORIGINALE INSTRUKSJONSMANUALEN INNEHOLDER VIKTIG SIKKERHETS- OG DRIFTSINFORMASJON. LES OG FØLG INSTRUKSJONENE NØYE.
	BRUK ØYEVERN	BRUK ØYEVERN VED BETJENING AV HEKKSAKSEN.
	BRUK HÅNDVERN	BRUK HANSKER VED BETJENING AV HEKKSAKSEN OG VED HÅNDTERING AV KUTTEKNIVENE.
	LYDEFFEKT	LYDEFFEKTNIVÅ ER 74 DB.
	TOHÅNDSGREP	HOLD HEKKSAKSEN MED BEGGE HENDER.
	ETTHÅNDSGREP	IKKE HOLD HEKKSAKSEN MED ÉN HÅND.
	MÅ IKKE FORBRENNES	MÅ IKKE KASTES I ILD.
	MÅ IKKE KASTES	MÅ IKKE KASTES I HUSHOLDNINGSAVFALL. TA MED TIL EN AUTORISERT GJENBRUKSSTASJON.
	MÅ IKKE UTSETTES FOR REGN	IKKE BRUK LADEREN UNDER VÅTE FORHOLD.
	KUN INNENDØRS BRUK	KUN TILTENKT FOR INNENDØRS BRUK.
	INSPISER STRØMFORSYNINGEN	INSPISER LADERENS STRØMFORSYNING OG LEDNING JEVNLIK FOR SKADE.
	DRIFTSTEMPERATUR	BRUK BATTERIPAKKEN KUN VED EN TEMPERATUR MELLOM 0 °C OG 40 °C (32 °F TIL 104 °F).
	SKJÆREVERKTØY	SKJÆREVERKTØY. IKKE BERØR KNIVENE UTEN Å FØRST DEAKTIVERE HEKKSAKSEN VED Å FJERNE BATTERIPAKKEN.

INTRODUKSJON

Denne hekksaksen er utviklet for jevnlig vedlikehold og trimming. Den er ikke utviklet til å kutte greiner større enn 19 mm (¾ tomme) i diameter. Andre anvendelser kan føre til skade og er ikke tillatt.

SIKKERHETSBESTEMMELSER

GENERELLE SIKKERHETSVARSLER FOR ELEKTRISKE VERKTØY

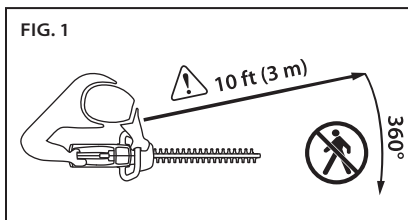
⚠ ADVARSEL: LES OG FORSTÅ ALLE SIKKERHETSADVARSLER OG ALLE INSTRUKSJONER. UNNLATELSE I Å FØLGE ADVARSLERNE OG INSTRUKSJONENE KAN FØRE TIL ELEKTRISK STØT, BRANN OG/ELLER ALVORLIG SKADE.



TA VARE PÅ ALLE ADVARSLER OG INSTRUKSJONER FOR FREMTIDIG REFERANSE. BEGREPET «ELEKTRISK VERKTØY» I ADVARSLERNE REFERERER TIL STRØMDREVET (MED LEDNING) ELEKTRISK VERKTØY ELLER BATTERIDREVET (TRÅDLØS) ELEKTRISK VERKTØY.

SIKKERHET I ARBEIDSRÅDET

- Hold arbeidsområdet rent og godt belyst. Rotete og mørke områder inviterer til ulykker.
- Ikke bruk elektriske verktøy i eksplosive omgivelser, slik som i nærværet av antennbare væsker, gasser eller støv. Elektriske verktøy kan skape gnister som kan antenne støv eller dunster.
- Hold barn og tilskuere unna ved betjening av et elektrisk verktøy (fig. 1). Distraksjoner kan føre til at du mister kontrollen.



⚠ OBS: ETABLER EN SIKKERHETSSEKKE FOR TILSKUERE PÅ 3 M (10 FOT) FØR BETJENING AV DETTE UTSTYRET. Sikkerhetssekk for tilskuere er en 3 m (10 fot) sirkel rundt operatøren som må forbli fri for tilskuere, barn og kjæledyr.

ELEKTRISK SIKKERHET

- Plugger for elektriske verktøy må stemme med uttaket. Modifiser aldri pluggen på noen måte. Ikke bruk adapterplugger med jordede elektriske verktøy. Umodifiserte plugger og samstemmende uttak vil redusere risikoen for elektrisk støt.
- Unngå kroppskontakt med jordede overflater, som rør, radiatorer, komfyrer og kjøleskap. Det er en økt risiko for elektrisk støt hvis kroppen din er jordnet.
- Ikke utsett elektriske verktøy for regn eller våte forhold. Vann som trenger inn i et elektrisk verktøy vil øke risikoen for elektrisk støt.
- Ikke misbruk ledningen. Ledningen må aldri brukes til å bære, dra eller koble ut det elektriske verktøyet. Hold ledningen unna varme, olje, skarpe kanter eller bevegelige deler. Skadde eller sammenfildrede ledninger øker risikoen for elektrisk støt.
- Når det elektriske verktøyet betjenes utendørs, må det brukes en skjøteledning passende for utendørs bruk. Bruk av en ledning passende for utendørs bruk reduserer risikoen for elektrisk støt.

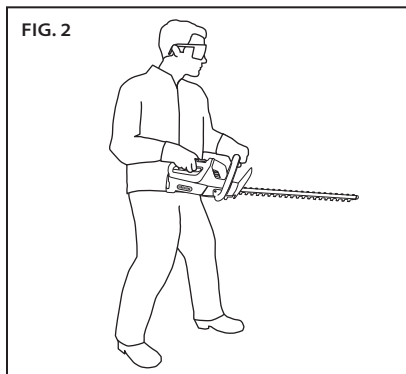
- Hvis betjening av et elektrisk verktøy på et fuktig sted er uunngåelig, bruk en kurs som er beskyttet med en reststrømnretning (residual current device, RCD) eller en jordfeilbryter (ground fault circuit interrupter, GFCI).
Bruk av en RCD (GFCI) reduserer risikoen for elektrisk støt.
- Ta pluggen ut av kontakten øyeblikkelig hvis kableen er skadd eller kuttet.

PERSONLIG SIKKERHET



- Vær oppmerksom, følg med på det du gjør og bruk sunn fornuft ved betjening av et elektrisk verktøy. Ikke bruk et elektrisk verktøy når du er trett eller under påvirkning av narkotika, alkohol eller medikamenter. *Et øyeblikks uoppmerksomhet ved betjening av elektriske verktøy kan føre til alvorlig personskade.*
- Bruk personlig verneutstyr. Bruk alltid øyevern.
Verneutstyr som støvmaske, sklislire vernesko, vernehjelm eller hørselsvern brukt for passende forhold vil redusere personskader.
- Forhindre utilsiktet startung. Sikre at bryteren er i av-posisjon før verktøyet kobles til strømkilde og/eller batteripakke, plukkes opp eller bæres.
Bæring av elektriske verktøy med fingeren på bryteren eller tilkobling av elektriske verktøy med bryteren på inviterer til ulykker.
- Fjern enhver justeringsnøkkel eller tang før det elektriske verktøyet slås på.
En tang eller en nøkkel festet til en roterende del av det elektriske verktøyet, kan føre til personskade.

- Ikke strekk deg for langt. Behold godt fotfeste og balanse til enhver tid (fig. 2).
Dette gir bedre kontroll over det elektriske verktøyet i uventede situasjoner.



- Kle deg passende. Ikke bruk løse klær eller smykker. Hold hår, klær og hanser unna bevegelige deler. *Løse klær, smykker eller langt hår kan sette seg fast i bevegelige deler.*
- Dersom det er levert innretninger for tilkobling av støvutsuging og oppsamlingsanlegg, sikre at disse er tilkoblet og korrekt brukt.
Bruk av støvoppsamling kan redusere støvrelaterte farer.
- Langvarig bruk av elektriske verktøy har blitt rapportert å forårsake vaskulære, muskulære eller nevrologiske lidelser (som vibrasjons-hvite fingre eller Raynauds syndrom).
Følg disse instruksjonene for å redusere risikoen for skade:
 - Bruk hansker og hold hender og kropp varm.
 - Oppretthold et fast grep på hekksaksen, men ikke bruk langvarig overdrevet trykk.
 - Ta hyppige pauser.

Vibrasjonen under normal bruk kan variere fra de oppgitte verdiene avhengig av materialet som klippes, vedlikehold av klippesystemet og andre faktorer.

BRUK OG VEDLIKEHOLD AV ELEKTRISK VERKTØY

- Ikke bruk makt på det elektriske verktøyet. Bruk korrekt elektrisk verktøy for din anvendelse. Det korrekte elektriske verktøyet vil gjøre jobben bedre og tryggere ved hastigheten det ble utviklet for.
- Ikke bruk det elektriske verktøyet hvis bryteren ikke slår det på og av. Ethvert elektrisk verktøy som ikke kan kontrolleres med bryteren, er farlig og må repareres.
- Koble pluggen fra strømkilden og/eller batteripakken fra det elektriske verktøyet før det gjøres noen justeringer, endring av tilbehør eller lagring av elektriske verktøy. Slike forebyggende sikkerhetstiltak reduserer risikoen for å starte det elektriske verktøyet utilsiktet.



- Lagre ubrukte elektriske verktøy utenfor barns rekkevidde, og la ikke personer som ikke er kjent med det elektriske verktøyet eller disse instruksjonene betjene det elektriske verktøyet. Elektriske verktøy er farlige i hendene på uopplærte brukere.
- Vedlikehold elektriske verktøy. Kontroller for feiljustering eller binding av bevegelige deler, beskadigelse av deler og alle andre forhold som kan påvirke det elektriske verktøyet drift. Om skadd må det elektriske verktøyet repareres før bruk. Mange ulykker er forårsaket av dårlig vedlikeholdte elektriske verktøy.
- Hold kutteverktøy skarpe og rene. Korrekt vedlikeholdte kutteverktøy med skarpe skjærekanter har mindre sannsynlighet for å sette seg fast og er enklere å kontrollere.
- Bruk det elektriske verktøyet, tilbehør og verktøybits osv. i henhold til disse instruksjonene, med hensyn til arbeidsforhold og arbeidet som skal utføres. Bruk av elektrisk verktøy for andre operasjoner enn det er tiltenkt for kan føre til en farlig situasjon.

BRUK OG VEDLIKEHOLD AV BATTERI

- Lad kun med laderen spesifisert av produsenten. En lader som er passende for én type batteripakke, kan skape en brannrisiko når brukt med en annen batteripakke.
- Bruk elektriske verktøy kun med spesifikt angitte batteripakker. Bruk av andre batteripakker kan skape en risiko for skade og brann.
- Når batteripakken ikke er i bruk, må den holdes unna andre metallobjekter, som binders, mynter, nøkler, spikre, skruer eller andre små metallobjekter som kan skape en kobling fra en terminal til en annen. Kortslutning av batteriterminalene kan føre til brannskader eller brann.
- Under misbruk kan væske springe ut fra batteriet; unngå kontakt. Skyll med vann dersom kontakt inntreffer. Dersom væsken kommer i kontakt med øynene må legehjelp oppsøkes. Væske utstøtt fra batteriet kan føre til irritasjon eller brannsr.

SERVICE

Få det elektriske verktøyet ditt overhaldt av en kvalifisert reparatør som kun bruker identiske reservedeler. Dette vil sikre at det elektriske verktøyet sikkerhet opprettholdes.

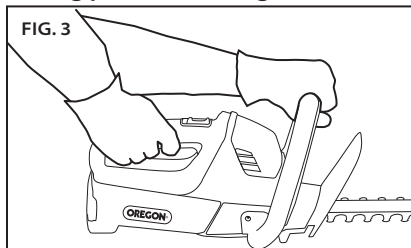
HEKKSAKS SIKKERHETSVARSLER



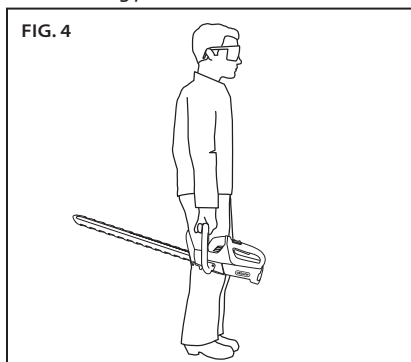
⚠ FARE: HOLD HENDER UNNA BLADET. KONTAKT MED BLADET VIL FØRE TIL ALVORLIG PERSONSKADE.

⚠ ADVARSEL: BRUK KUN MED HÅNDTAK OG HÅNDVERN KORREKT MONTERT PÅ HEKKSAKSEN. BRUK AV HEKKSAKSEN UTEN MEDFØLGENDE KORREKT VERN OG HÅNDTAK KAN FØRE TIL ALVORLIG PERSONSKADE.

- Bruk begge hender ved betjening av hekksaksen. Bruk av kun én hånd kan føre til tap av kontroll og føre til alvorlig personskade (fig. 3).



- Hold alle kroppsdeler vekk fra kutterbladet. Ikke fjern kuttet materiale eller hold materiale som skal kuttes når bladene er i bevegelse. Kontroller at bryteren er av ved fjerning av materiale som sitter fast. Bladene fortsetter en stund etter avslåing. *Et øyeblikks uoppmerksomhet ved betjening av hekksaksen kan føre til alvorlig personskade.*
- Bær hekksaksen etter håndtaket med kutterbladet stoppet (fig. 4). Ved transport eller lagring av hekksaksen må kuttede dekslet alltid festes. Korrekt håndtering av hekksaksen vil redusere mulig personskade fra kutterbladene.



- Hold det elektriske verktøyet kun etter de isolerte gripeoverflatene, fordi kuttebladet kan komme i kontakt med skjulte ledninger eller sin egen ledning. Kutterblad som kommer i kontakt med en strømførende ledning, kan gjøre de eksponerte metalldelene av det elektriske verktøyet strømførende og dermed gi operatøren elektrisk støt.
- Hekksaksen har ingen deler som kan overhales av bruker. Bladbytting, service og reparasjonsarbeide krever spesialopplæring. Se «Service- og støtteinformasjon» for kontaktinformasjon.

LAGRING, TRANSPORT OG AVHENDING

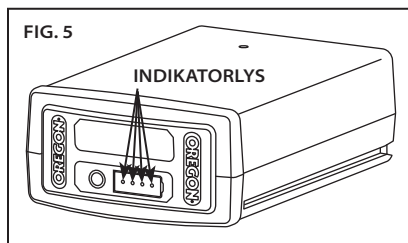
LAGRING AV HEKKSAKSEN

- Påfør smøremiddel på kuttebladene. Se «Vedlikehold og rengjøring» for mer informasjon.
- Fjern batteripakken fra hekksaksen.
- Rengjør hekksaksen grundig.
- Installer bladdekslet.
- Lagre på et tørt sted.
- Hold utenfor barns og kjæledyrs rekkevidde.

LAGRING AV BATTERIPAKKEN

Når batteripakken skal lagres lengre enn ni måneder må disse retningslinjene følges:

- Fjern batteripakken fra hekksaksen eller laderen.
- Lagres på et kjølig og tørt sted.
- Hold utenfor barns og kjæledyrs rekkevidde.
- For å forlenge batteriets levetid må batteripakken aldri lagres i fullstendig utladet tilstand. (Fig. 5).



- Lagre ved en temperatur mellom -20 °C og 30 °C (-4 °F til 86 °F).



LAGRING AV LADEREN

- Fjern batteripakken fra laderen.
- Koble laderen fra strømkilde.
- Lagre på et tørt sted.
- Hold utenfor barns og kjæledyrs rekkevidde.

Se «Vedlikehold og rengjøring» for mer informasjon.

TRANSPORT AV HEKKSAKS

Klargjør hekksaksen som beskrevet i «Lagring av hekksaksen» før transport.

TRANSPORT AV BATTERIPAKKEN

Overhold respektive nasjonale forskrifter ved transport av litium-ion-batterier, obligatorisk merking kan være påkrevd.

AVHENDING AV HEKKSAKS OG LADER

OREGON®-produktet er utviklet og produsert med materialer og komponenter av høy kvalitet, som kan resirkuleres og brukes igjen. Ved slutten av produktets levetid, og i henhold til direktiv 2002/95/EC, må det elektriske apparatet avhendes separat fra husholdningsavfall. Det finnes egne innsamlingsystemer for brukt elektrisk og elektronisk utstyr i Norge og EU. Avhend dette utstyret på en miljømessig korrekt måte ved et lokalt avfallsoppsamlings-/resirkuleringssenter.

AVHENDING AV BATTERIPAKKE

Batteripakken må ikke avhendes med normalt husholdningsavfall. Batteripakken må ikke forbrennes. Lokale avfallshåndterings- og resirkuleringsfirmaer har informasjon om korrekt avhending eller resirkulering i henhold til miljøbestemmelser.

**BATTERISIKKERHET**

⚠ FARE: UNNLATELSE AV Å FØLGE DISSE SIKKERHETSREGLENE KAN FØRE TIL AT BATTERIPAKKEN LEKKER FARLIGE KJEMIKALIER, OVEROPPHETES, AVGIR RØYK, SPREKKER, GNISTRER, EKSPLODERER OG/ELLER ANTENNER.

⚠ OBS: BATTERIPAKKEN MÅ IKKE AVHENDES MED HUSHOLDNINGSAVFALL ELLER VED FORBRENNING. LITUM-ION-BATTERIPAKKER MÅ RESIRKULERES VED ET LOKALT GODKJENT RESIRKULERINGSSTED.

⚠ OBS: IKKE UTSETT BATTERIPAKKEN FOR OVERDREVEN VARME, SLIK SOM INTERIØRET I ET KJØRETØY I VARMT VÆR. SLIK EKSPONERING KAN FØRE TIL EN NEDGANG I YTELSE OG/ELLER LEVETID. IKKE FORSØK Å LADE EN IKKE-OPPLADBAR BATTERIPAKKE.

- Ikke demonter eller modifier batteripakken. Dette kan skade sikkerhetsfunksjonene.
- Ikke koble positive (+) og negative (-) terminaler med metallobjekter eller lagre batteripakken med metallobjekter som mynter eller skruer. Dette kan føre til kortslutning og skape nok varme til å forårsake brannskår.
- Batteripakken må ikke forbrennes eller utsettes for overdreven varme. Dette kan smelte isolasjonen eller skade sikkerhetsfunksjonene.
- Ikke bruk, lad eller lagre nær varme høyere enn 80 °C (176 °F). Dette kan føre til overoppheting og intern kortslutning.
- Ikke utsett for ekstremt våte forhold. Dette kan skade sikkerhetsfunksjonene, føre til lading med ekstremt høy strømstyrke og spenning, og føre til unormale kjemiske reaksjoner.

- Bruk kun laderen spesifikt utviklet for batteripakken, og følg sikkerhetsforanstaltningene beskrevet i «Ladersikkerhet». Bruk av en annen lader kan skade sikkerhetsfunksjonene, føre til lading med ekstremt høy strømstyrke og spenning og føre til unormale kjemiske reaksjoner.
- Ikke bruk OREGON®-merkede batteripakker i ikke-OREGON®-merkede verktøy.
- Ikke slå, gjennombor eller kast batteripakken, og ikke bruk en skadd eller deformert batteripakke.
- Ikke forsøk opplading hvis opplading mislykkes. Hvis batteripakken gir fra seg lukt, genererer varme eller er misfarget, deformert eller unormal på noen måte under bruk, lading eller lagring, må den umiddelbart fjernes fra hekksaksen eller laderen.
- Enhver væske som lekker fra batteriet er etsende, kan skade øyne og hud og kan være giftig ved svelging.

LADERSIKKERHET

VIKTIGE SIKKERHETSINSTRUKSJONER

▲ OBS: DETTE APPARATET ER IKKE BEREGNET FOR BRUK AV PERSONER (INKLUDERT BARN) MED REDUSERT FYSISKE, SENSORISKE ELLER MENTALE EVNER, ELLER MANGEL PÅ KUNNSKAP, MED MINDRE DE ER GITT TILSYN ELLER OPPLÆRING AV EN PERSON MED ANSVAR FOR DERES SIKKERHET. BARN MÅ HA TILSYN SLIK AT DE IKKE LEKER MED APPARATENE.

▲ ADVARSEL: FARE FOR ELEKTRISK STØT. NÅR BRUKT UTENDØRS MÅ DET KUN KOBLES TIL EN TILDEKKET KLASSE A GFCI-BESKYTTET KONTAKT SOM ER VÆRBESTANDIG MED STRØMENHETEN KOBLT TIL KONTAKTEN. HVIS DETTE IKKE FORELIGGER, MÅ EN KVALIFISERT ELEKTRIKER KONTAKTES FOR KORREKT INSTALLASJON. SIKRE AT STRØMENHETEN OG LEDNINGEN IKKE HINDRER AT KONTAKTDEKSLET LUKKES HELT.

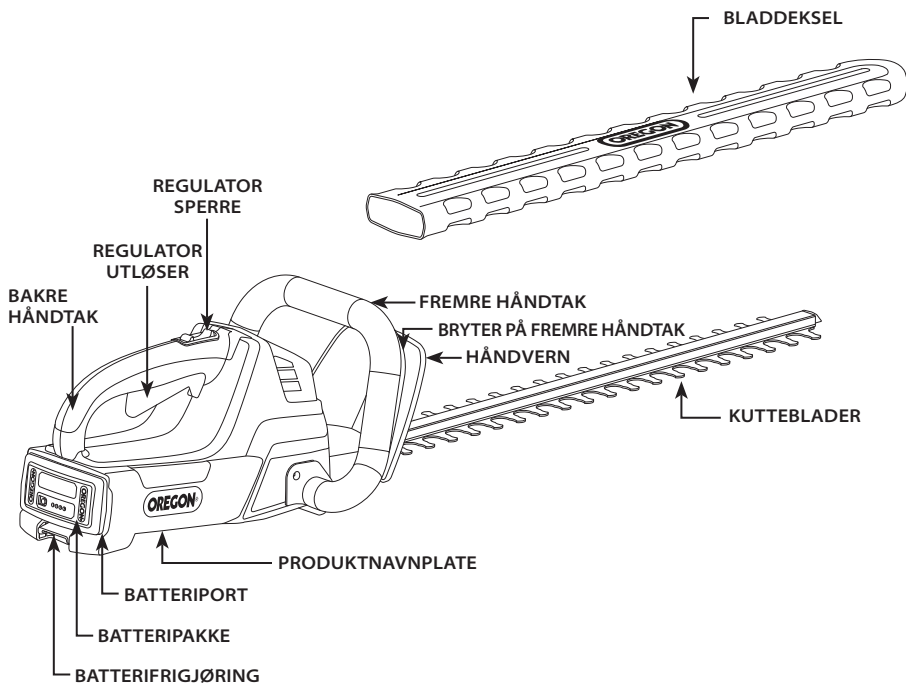
▲ OBS: BRUK DENNE LADEREN KUN MED DEN MEDFØLGENDE STRØMLEDNINGEN, OG SØRG FOR AT PLUGGEN PASSER TIL KONTAKTEN.

Når elektriske produkter brukes, må grunnleggende forholdsregler alltid utøves, inkludert følgende:

- Les og følg alle sikkerhetsinstruksjoner før bruk. Les og følg alle instruksjonene som er på produktet eller levert med produktet.
- Oppbevar disse instruksjonene.
- Ikke bruk en skjøteledning.
- Ikke misbruk ledningen. Ledningen må aldri brukes til å bære, dra eller koble ut det elektriske verktøyet. Hold ledningen unna varme, olje, skarpe kanter eller bevegelige deler. Skadde eller sammenfiltrede ledninger øker risikoen for elektrisk støt.
- Ikke utsett laderen for regn. Kun for innendørs bruk.
- Må ikke brukes nærmere enn 3 m (10 fot) fra et basseng.
- Må ikke brukes på badetrom.

PRODUKTIDENTIFIKASJON

KJENN HEKKSAXSEN



Merk: Se «Oppakking» for en liste over inkluderte artikler.

SPESIFIKASJONER OG KOMPONENTER

RESERVEDELER	DELENUMMER
BATTERIPAKKE, MODELL B400E	548206
LADER MED LEDNING, MODELL C600	EU - 554933 UK - 554872 AU/NZ - 560663
LADER MED LEDNING, MODELL C750	EU - 558697 UK - 558698 AU/NZ - 558699
LADER, MODELL C600	
TILFØRSEL	100–240 V~ 50–60 HZ 60 W
EFFEKT	41,5 V _{max} 1,25A
STRØMLEDNING	EU - 547383 UK - 547384 AU/NZ - 559380
BATTERIPAKKE, MODELL B400E	
VEKT	1,23 kg (2,72 pund)
TYPE	LITIUM-ION
SPENNING, NOMINELL	+37 V LIKESTRØM
DRIFTSTEMPERATUR	0 °C TIL 40 °C (32 °F TIL 104 °F)
KAPASITET, NOMINELL	2,4 Ah / 89 Wh
LADETID (CA.)	120 MINUTTER
HEKKSAKS	
BLADLENGDE	600 mm (24")
BLADTYPE	DOBLE VEKSELVIRKENDE
MAKS. KUTTEHASTIGHET FOR BLAD	2750 SLAG PER MINUTT
MAKS. KUTTEDIAMETER	OPPTIL 19 mm (3/4")
VEKT MED B400E	4,4 kg (9,8 pund)
LYDEFFEKTIVÅ	74 dB L _{WA} (K, 0,18 dB)
VIBRASJON	1,16 m/s ² (K, 0,26 m/s ²)

NAVN OG BEGREPER FOR HEKKSAKS

Bladfastsetting: En tilstand hvor kuttebladene ikke vil bevege seg grunnnet materiale som sitter fast mellom de bevegelige og ubevegelige delene av kuttebladene.

Sikkerhetssone for tilskuere: En 3 m (10 fot) sirkel rundt operatøren som må forbli fri for tilskuere, barn og kjæledyr.

Kutteblader: Serien med kvassedde overflater som stikker ut på fremsiden av hekksaksen, og som beveger seg frem og tilbake for å klippe hekker.

Kuttessesong: Den ideelle tiden for å klippe hekker varierer etter plantetype, men det er generelt god praksis å klippe under perioder med sakte vekst, etter at blomstring er fullført. Snakk med en lokal planteskole for tips om klipping av spesifikke planter.

Kuttehastighet: Hekksaksen har en variabel kuttehastighet. Trykk regulatoren hardere for raskere kuttehastighet. Bruk minimum nødvendig kuttehastighet for å kutte materialet for å få mest mulig kuttetid ut av hver lading.

Fremre håndtak: Støttehåndtaket plassert ved eller mot fronten av hekksaksen.

Bryter på fremre håndtak: En U-formet bryter som går langs det fremre håndtaket og forhindrer utilsiktet bruk av regulatoren før den manuelt aktiveres.

Håndvern: En strukturell barriere mellom fremre håndtak på en hekksaks og kuttebladene.

Ny vekst: Den nyeste veksten på en plante. Den er generelt lysere i farge, mindre treaktig og mer fleksibel enn resten av planten.

Bakre håndtak: Støttehåndtaket, plassert ved eller mot bakpartiet av hekksaksen, hvor regulatoren er plassert.

Regulator: En enhet som kontrollerer hastigheten på kuttebladene.

Regulatorsperre: En bevegelig stopp som forhindrer utilsiktet aktivering av hekksaksen før den manuelt aktiveres.

BRUK AV HEKKSAKSEN

UTPAKKING

HVA ER I ESKEN?

Hekksaksen leveres fullstendig montert. Disse artiklene leveres med hekksaksen:

- HEKKSAKS
- Bladdeksel
- Instruksjonsmanual
- Lader og strømledning (om så utstyrt)
- Batteri (om så utstyrt)

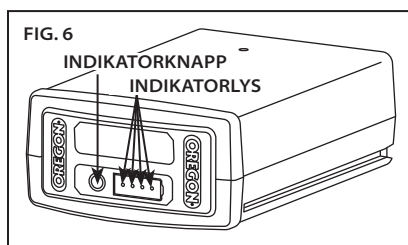
Etter at hekksaksen er tatt ut av esken, må den undersøkes nøye for å sikre at ingen skade har inntruffet under frakt, og at ingen deler mangler. Dersom noen deler er skadd eller mangler, må hekksaksen ikke brukes. Kontakt OREGON® Cordless Tool System for å skaffe reservedeler. For landsspesifikke telefonnumre, se «Kundeservice etter land».

BATTERIPAKKE OG LADER

⚠ ADVARSEL: BATTERIPAKKEN MÅ IKKE LADES I REGN.

BATTERIPAKKENS LED-INDIKATOR FOR LADENIVÅ

Litium-ion-batteripakken er utstyrt med en LED ladenivåindikator. For å teste ladenivået på batteripakken trykkes indikatorknappen på batteripakkens front (fig. 6).



Ingen lys: lad opp.

Ett fast grønt lys:
mindre enn 25 % ladet.
Lad batteripakke før bruk.

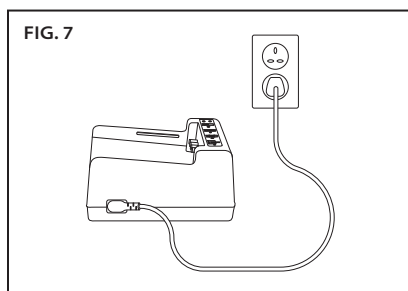
To faste grønne lys:
26-50 % ladet.

Tre faste grønne lys:
51-75 % ladet.

Fire faste grønne lys:
76-100 % ladet.

TILKOBLING AV LADEREN

Koble ladeledningen til laderen og til korrekt strømkontakt (fig. 7).



Bruk kun ledningssettet som fulgte med laderen. Ved første gangs bruk må det bekreftes at pluggtypen passer til kontakten.

LADERS LED LADETILSTANDSINDIKATOR

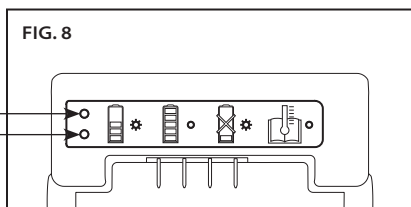
Batteriladeren er utstyrt med en LED ladetilstandsindikator som indikerer tilstanden for ladingen samt forhold som kan forsinke eller forhindre lading (fig. 8).

Merk: Før en batteripakke settes i, er ingen lys synlige.

Blinkende oransje lys: en feiltilstand eksisterer. Det er flere potensielle årsaker. Se «Feilsøking» i denne manualen.

Fast oransje lys: batteripakkens temperatur er utenfor akseptabelt område (0 °C til 40 °C / 32 °F til 104 °F). La batteripakken nå akseptabelt temperaturområde før lading. Pakken kan være koblet til laderen mens temperaturen justeres. Lading vil starte når korrekt temperatur er nådd.

FIG. 8



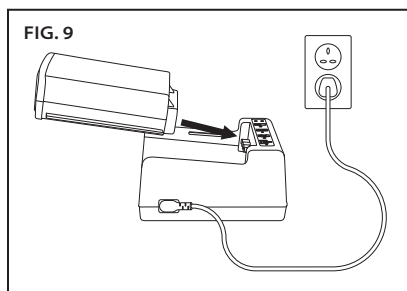
Blinkende grønt lys: batteripakken lader.

Fast grønt lys: batteripakken er KLAR FOR BRUK.

LADING AV BATTERIPAKKEN

⚠ ADVARSEL: UNNLATELSE AV Å FØLGE KORREKTE LADINGSPROSEDYRER KAN FØRE TIL FOR HØY SPENNING, FOR HØY STRØM, TAP AV KONTROLL UNDER LADING, LEKKASJE AV FARLIGE KJEMIKALIER, VARMEDANNELSE, SPREKK ELLER BRANN.

Når laderledningen er koblet til laderen og plagget i en strømkontakt, innrettes sporene i batteriet med skinnene på laderen, og batteripakken skyves på laderen til den er helt på plass (fig. 9).

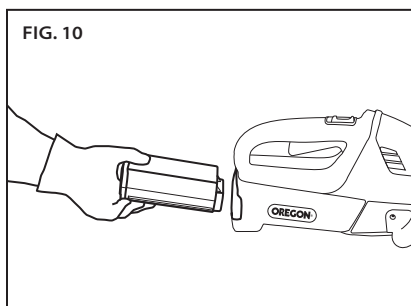


Sjekk ladetilstandsindikatoren for ladeforhold.

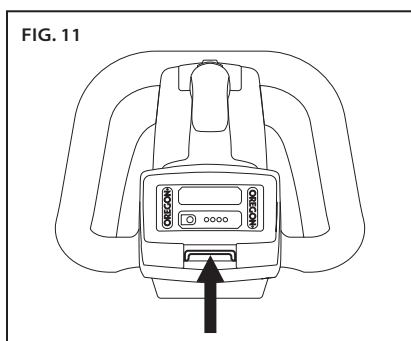
INNSETTING OG FRIGJØRING AV BATTERIPAKKEN

Bruk kun batteripakker av
OREGON®-merket spesifisert i disse
bruksinstruksjonene.

Innrett sporet i batteriet med skinnene i
batteriporten. Før batteripakken bestemt
inn i hekksaksens batteriport og trykk
fremover til det klikker når den låses på
plass (fig. 10).



For å fjerne batteripakken løftes
batteriutløseren opp og pakken fjernes
(fig. 11).



GENERELL OPERASJON



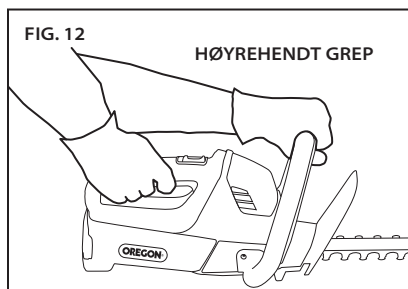
**⚠ ADVARSEL: BRUK ALLTID
PASSENDE HANSKER OG ØYEVERN.**

DRIFTSTEMPERATUR

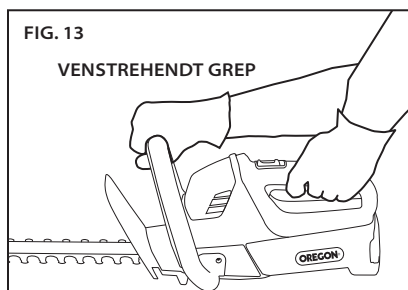
Denne hekksaksen er utviklet til å
operere i et temperaturområde på 0 °C til
40 °C (32 °F til 104 °F).

GREP

Grip alltid verktøyet med begge hender.
For høyrehendt betjening plasseres
hekksaksen på en fast flat overflate,
fremre håndtak gripes med venstre hånd
og bakre håndtak med høyre. Brett
fingerne over toppen av det fremre
håndtaket med tommelen under (fig. 12).



For venstrehandt betjening gripes fremre
håndtak med høyre hånd og bakre
håndtak med venstre (fig. 13).



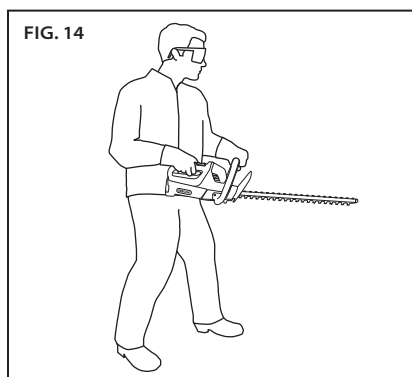
STILLING

Stå med begge ben på fast underlag med vekten jevnt fordelt mellom dem.

Ikke strekk deg, og ikke stå på en stige, gardintrapp eller annen hevet posisjon som ikke er fullstendig sikret.



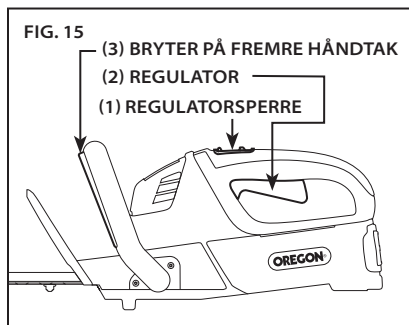
Hold hekksaksen så nær kroppen som mulig for å opprettholde kontroll (fig. 14).

**STOPPE HEKKSAKSEN**

Slipp opp regulatoren for å stoppe hekksaksen.

STARTE HEKKSAKSEN

Grip fremre og bakre håndtak godt. Trekk regulatorsperren (1) tilbake med tommelen (fig. 15). Trykk på regulator (2) til kuttebladene beveger seg ved ønsket hastighet. Bryteren på fremre håndtak (3) er en sikkerhetsfunksjon; hekksaksen starter ikke med mindre den er aktivert.

**KONTROLLERE KUTTEBLADENES HASTIGHET**

Regulatoren kontrollerer hastigheten som kuttebladene vibrerer ved. Trykk regulatoren hardere for raskere kuttehastighet.

Bruk lavest nødvendig trykk for å kutte materialet. Dette hjelper med å maksimere mengden kuttetid per batterilading og reduserer antall nødvendige ladeoperasjoner.

KLIPPING AV HEKKER

NÅR DET BØR KLIPPES

Den ideelle tiden for å klippe hekker varierer etter plantetype, men det er generelt god praksis å klippe under perioder med sakte vekst, etter at blomstring er fullført. Snakk med en lokal planteskole for tips om klipping av spesifikke planter.

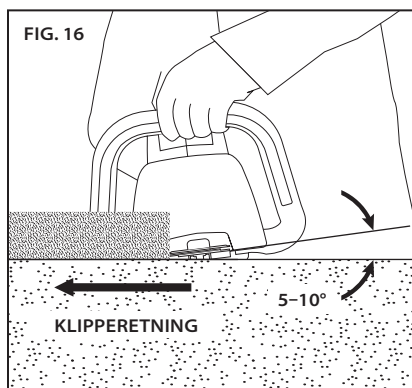
Følg alle gjeldende nasjonale og kommunale regler og bestemmelser for klipping av hekker.

GRUNNLEGGENDE KLIPPING

⚠ ADVARSEL: VÆR ALLTID SIKKER PÅ FOTFESTET OG HOLD HEKKSAKSEN GODT MED BEGGE HENDER NÅR MOTOREN GÅR.

Kontroller hekken for fremmedlegemer før klipping for å unngå skade på bladene. Fjern objekter som kan forhindre klipping.

Ta korrekt grep og stilling og start hekksaksen. Hold hekksaksen med kuttebladene i en vinkel på 5–10° mot klipperetningen (fig. 16).



VIKTIG: KUTTEBLADENE SETTER SEG AV OG TIL FAST OG STOPPER Å BEVEGE SEG NÅR MATERIALE SETTER SEG FAST I KUTTEBLADENE ELLER HVIS KUTTEBLADENE KOMMER I KONTAKT MED EN LEDNING ELLER TRÅDNETTSGJERDE. SE «KORRIGERE BLADBINDING» FOR Å LÆRE HVORDAN DETTE FIXSES.

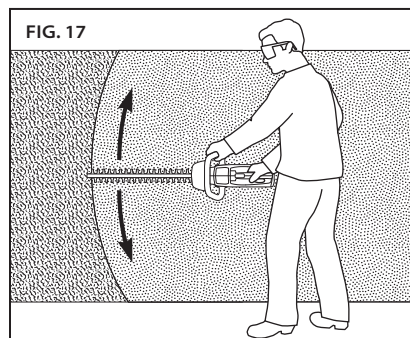
KUTTESEKVEN

Hvis hekken er veltrimmet, fokuser på å klippe ny vekst til hekken er i ønsket form.

Når store greiner er fjernet, brukes hekksaksen til å klippe sidene på hekken til ønsket lengde. Klipp toppen av hekken til slutt etter at sidene er fullførte.

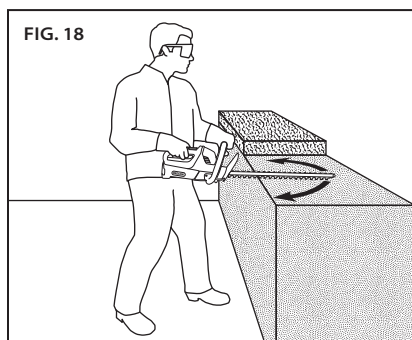
VERTIKAL KLIPPING

Start på bunnen av hekken når sidene klippes. Hold hekksaksen med kuttebladene i en vinkel på 5–10° mot klipperetningen. Beveg deg nedover langs hekken og stryk hekksaksen langsomt opp og ned i en vid bue (fig. 17).



HORISONTAL KLIPPING

Start med den nærmeste kanten når toppen av hekken klippes. Hold hekksaksen med kuttebladene i en vinkel på 5–10° mot klipperetningen. Beveg deg nedover langs hekken og stryk hekksaksen langsomt til venstre og høyre i en vid bue (fig. 18).



Hvis toppen av hekken er for bred til å klippe med en sveip av hekksaksen, må du ikke lene deg over hekken for å klippe resten. Klipp i stedet nedover på en side av hekken, og klipp resten fra den andre siden av hekken.

KORRIGERING AV BLADFASTSETTING

⚠ OBS: FJERN ALLTID BATTERIET FØR RENGJØRING AV KUTTEBLADER FOR Å UNNGÅ TILFELDIG AKTIVERING AV KUTTEBLADENE.

⚠ OBS: KUTTEBLADENE ER SKARPE. BRUK ALLTID HANSKER VED FJERNING AV MATERIALE FRA KUTTEBLADENE.

Noen ganger, ved klipping av fleksible «grønne» greiner, kan avklipp sette seg fast mellom de bevegelige og ubevegelige delene av kuttebladene. Når dette skjer, kan kuttebladene plutselig stoppe å bevege seg. Dette kan også skje hvis kuttebladene kommer i kontakt med materiale som er for sterkt til å kuttes gjennom, slik som et rutetrådgjerde. Denne tilstanden kalles bladfastsetting.

Følg disse retningslinjene for å fjerne materialet på en sikker og effektiv måte.

- Bruk hansker.
- Fjern batteripakken fra hekksaksen. Se «Fjerning av batteripakken».
- Fjern materialet som forhindrer kuttebladene fra å bevege seg.

VEDLIKEHOLD OG RENGJØRING

HEKKSAKS

⚠ ADVARSEL: INSPISER HEKKSAKSEN. JEVNIG INSPEKSJON ER FØRSTE STEG I KORREKT VEDLIKEHOLD. FØLG RETNINGSLINJENE NEDENFOR FOR Å MAKSIMERE SIKKERHET OG TILFREDSHET. FÅ SKADDE ELLER SVÆRT UTSLITTE DELER ERSTATTET UMIDDELBART. UNNLATELSE I Å IDENTIFISERE OG BYTTE UT SKADDE ELLER SLITTE DELER KAN FØRE TIL ALVORLIG PERSONSKADE.

⚠ ADVARSEL: FJERN BATTERIPAKKEN FRA HEKKSAKSEN FØR INSPEKSJON, RENGJØRING ELLER VEDLIKEHOLD. ET BATTERIDREVT VERKTØY MED BATTERIPAKKEN INNSATT ER ALLTID PÅ OG KAN STARTE TILFELDIG.

⚠ OBS: VED RENGJØRING AV HEKKSAKSEN MÅ DEN IKKE SENKES I VANN ELLER ANDRE VÆSKER.

RENGJØR HEKKSAKSEN

- Tørk støv, blader og avklipp av hekksaksen.
- Tøm luftehull for å sikre korrekt luftstrøm og forhindre overoppheting.
- Tørk av krafthodet med en ren klut fuktet med mild såpe og vann.
- Bruk aldri sterke rengjøringsmidler eller løsemidler.

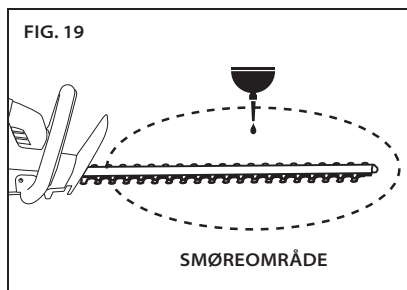
INSPISER KUTTEBLADENE

Sjekk at kuttebladene er skarpe, ikke har hakk eller sløve kanter og ikke henger seg opp når hekksaksen går. Fil periodisk vekk hakk og skår på bladene for å sikre at de beveger seg fritt. Skarpe og fritt bevegelige kutteblader klipper lettere enn sløve og klebrige.

BLADVEDLIKEHOLD

Ved klipping av hekker med mye kvae eller i støvete omgivelser, kan opphoping av kvae og skitt av og til føre til at bladene setter seg fast. For å forhindre at bladene setter seg fast, rengjør dem med et tynt belegg av flytende silikonolje kun på smøreområdet av kuttebladene (fig. 19) og kjør bladene kort for å fordele smøremidlet jevnt.

VIKTIG: IKKE LA SMØREMIDLET DRYPPE INN I HEKKSAKSENS KROPP. BRUK ALDRI FETTOPPLØSNINGSMIDLER ELLER VANNFORTRENGENDE PRODUKTER FRA SPRAYBOKS. IKKE BRUK FOR MYE SMØREMIDDEL.



INSPISER TOPPVERNET

Dersom toppvern er installert, må det sjekkes for å sikre at det ikke er bøyd eller ødelagt. Et bøyd toppvern kan forhindre at kuttebladene beveger seg fritt. Hvis toppvernet er bøyd eller ødelagt, må det byttes ut på et godkjent servicested.

INSTALLER BLADDEKSELET

Dra bladdekslet over kuttebladene for å holde dem rene, og for å forhindre at de setter seg fast i eller kutter personer eller objekter.

INSPISER HÅNDTAKENE

Sørg for at både fremre og bakre håndtak er rene, tørre, og ikke har sprukket eller har annen skade. Alvorlig personskaade kan inntreffe hvis et skadd håndtak går i stykker under bruk.

INSPISER BATTERIPORTEN

Sørg for at batteriporten er ren, tørr og fri for rusk. Rusk i batteriporten kan forhindre en god elektrisk kobling mellom batteripakken og hekksaksen.

BATTERIPAKKE

⚠ ADVARSEL: DET ER INGEN DELER BRUKER KAN OVERHALE I BATTERIPAKKEN. IKKE DEMONTER.

Litium-ion-batterier har en forutbestemt levetid. Hvis mengden klippetid per lading minsker merkbart, er batteripakken på slutten av sin levetid, og bør byttes ut.

- Sørg for at batteripakken, inkludert kontaktene, er ren, tørr, og ikke har tegn på hull, støt eller annen skade. Ødelagte batterier kan forårsake brann eller slippe ut farlige kjemikalier.
- Rengjør skitne kontakter med en myk og tørr klut. Skitt eller olje kan føre til dårlig elektrisk kobling og gi tap av kraft.

LADER

- Koble laderen fra strømkontakten.
- Rengjør skitne kontakter med en myk og tørr klut.

FEILSØKING

Bruk denne tabellen for å se mulige løsninger for mulige problemer med hekksaksen. Hvis disse forslagene ikke løser problemet, se «Service- og støtteinformasjon».

SYMPTOM	MULIG ÅRSAK	ANBEFALTE HANDLINGER
Motor går ikke eller går ujevnt	Batteri utladet	Lad. Se «Lading av batteripakken».
	Bryter på fremre håndtak eller utløsesperre ikke aktivert	Grip bryteren på fremre håndtak og trekk regulatorsperren tilbake før regulatoren klemmes. Se «Starte hekksaksen».
	Batteripakke ikke helt satt inn	Trykk batteripakken inn i batteriporten til den klikker på plass.
	Batterikontakter skitne	Fjern batteripakken, fjern rusk fra batteriport, og rengjør kontaktene med en ren tørr klut.
	Batteripakke kald	La batteripakken varmes opp til minimum driftstemperatur på 0°C (32°F).
Motoren går, men kuttebladene beveger seg ikke	Objekt forhindrer kuttebladenes bevegelse	Se «Korrigerings av bladfastsetting».
Hekksaks klipper ikke korrekt	Opphoping av kvae forhindrer kuttebladenes bevegelse	Se «Bladvedlikehold».
	Kuttebladene er sløve	Få kuttebladene profesjonelt slipt.
Batteripakke lader ikke	Batteripakkens over-/undertemperaturbeskyttelse er aktivert	Dette kan skje når hekksaksen kjøres kontinuerlig eller utsettes for høye omgivelsestemperaturer. La batteripakken nå akseptabelt temperaturområde før lading. Se «Lading av batteripakken».
	Skitne eller skadde kontakter på batteripakke eller lader	Inspiser kontaktene på både batteripakken og laderen. Rengjør som beskrevet i «Vedlikehold og rengjøring», sett den så tilbake i laderen og sørg for at den er helt på plass.
	Batteripakken er på slutten av sin levetid	Alle batterier har en begrenset levetid. Hvis batteripakken er mer enn to år gammel eller har blitt hyppig ladet, kan det være på tide å bytte den ut. Bytt kun ut med batteripakken spesifisert for denne hekksaksen.
	Lader defekt	Få laderen sjekket ved godkjent servicested.

SYMPTOM	MULIG ÅRSAK	ANBEFALTE HANDLINGER
Lav klippetid per batterilading	Kuttebladene er sløve	Få kuttebladene profesjonelt slipt.
	Slitte kutteblader	Få kuttebladene byttet ved godkjent servicested.
	Bøyde kutteblader	Få kuttebladene byttet ved godkjent servicested.
	Feil klippeteknikk	Følg retningslinjene i «Grunnleggende klipping».
	Høyere klippehastighet enn nødvendig	Bruk mindre trykk på regulatoren.
	Opphoping av kvæe forhindrer kuttebladenes bevegelse	Se «Bladvedlikehold».
	Batteripakke ikke helt ladet	Se «Lading av batteripakken».
Blinkende oransje lys på ladetilstandsindikator	Kortslutning i lader, overstrøm i lader, over spenningsgrense, åpen krets på batteripakke eller tidsavbruddsfeil for lading/forlading	<ol style="list-style-type: none"> 1. Sørg for at laderledningen er koblet til både laderen og strømkontakten. 2. Sørg for at laderen mottar korrekt spenning. 3. Prøv å lade en annen batteripakke utviklet for denne laderen. <p>Hvis dette ikke korrigerer problemet, må laderen sjekkes ved godkjent servicested.</p>

GARANTI OG SERVICE

GARANTI

Blount, Inc. garanterer alle registrerte OREGON® trådløse verktøy, batteripakker og ladere for en periode på to (2) år fra original kjøpsdato, og ett (1) år hvis brukt for kommersielle formål. Denne begrensede garantien gjelder produkter produsert av OREGON® Cordless Tool System. Under garantiperioden vil Blount erstatte eller, etter eget skjønn, reparere, kun for den originale kjøperen, gratis, ethvert produkt eller enhver del som, ved Blounts undersøkelse, finnes å være defekt i materiale og/eller utførelse. Kjøperen skal være ansvarlig for alle transportutgifter og enhver kostnad for å fjerne del innsendt for bytting under denne garantien.

TA VARE PÅ DEN ORIGINALE KVITTERINGEN

Fest den originale kvittering fra kjøpet til denne manualen, og arkiver. For garantiservice må produkt og kvittering bringes til forhandleren hvor produktet ble kjøpt. Eller kontakt oss via informasjonen gitt i «Kundeservice etter land».

SERVICE- OG STØTTEINFORMASJON

Besøk oss på nettet på **OregonCordless.com** for servicesenterinformasjon, eller kontakt vårt kundeservicesenter for assistanse, ytterligere tekniske råd, reparasjon eller reservedeler. For landsspesifikke telefonnumre, se «Kundeservice etter land».

Bruk kun ekte reservedeler på det elektriske verktøyet for sikkerhet. Vårt servicesenter er betjent av opplært personale for å effektivt gi støtte og assistanse med justering, reparasjon eller erstatning av alle OREGON® Cordless Tool System-produkter.

EUROPAKOMMISJONEN (EC) – SAMSVARERKLÆRING

Blount International Inc. 4909 SE International Way, Portland Oregon, 97222 USA

ERKLÆRER AT FØLGENDE PRODUKT(ER):

Batteridrevet hekksaks modell(er): **HT255**
C600 batterilader

OVERHOLDER FØLGENDE EUROPEISKE DIREKTIVER OG STANDARDER:

EC-DIREKTIVER: MASKINERIDIREKTIV 2006/42/EC

FIRMAREPRESENTANT: EUROPEISK TEKNISK ARKIV-KONTAKT:



Kevin Cyrus
Leder – Produksikkerhet & Overholdelse
Blount International Inc.
Portland OR 97222 USA

Mr. Marnix Kuypers
Blount International-Europe-S. A.
Rue Emile Francqui, 5
B 1435 Mont-Saint-Guibert
Belgia

DATO/STED:

10. juli 2012, Portland OR

SPIS TREŚCI

SYMBOLE I OZNACZENIA	304
ZASADY BEZPIECZEŃSTWA	305
OGÓLNE OSTRZEŻENIA DOTYCZĄCE BEZPIECZEŃSTWA ELEKTRONARZĘDZI	305
BEZPIECZEŃSTWO W MIEJSCU PRACY	305
BEZPIECZEŃSTWO ELEKTRYCZNE	305
BEZPIECZEŃSTWO OSOBISTE	306
UŻYTKOWANIE I PIELĘGNACJA ELEKTRONARZĘDZI	307
UŻYTKOWANIE I PIELĘGNACJA NARZĘDZI AKUMULATOROWYCH	307
SERWIS	307
OSTRZEŻENIA BEZPIECZEŃSTWA DO PRZYCINARKI DO ŻYWOPŁOTÓW	307
BEZPIECZEŃSTWO ŁADOWARKI	310
IDENTYFIKACJA PRODUKTU	311
SPECYFIKACJA I ELEMENTY SKŁADOWE	312
NAZWY I TERMINY DOTYCZĄCE PRZYCINARKI DO ŻYWOPŁOTÓW	313
OBSŁUGA PRZYCINARKI DO ŻYWOPŁOTÓW	314
ROZPAKOWYWANIE	314
AKUMULATOR I ŁADOWARKA	314
OGÓLNE ZASADY OBSŁUGI	316
PRZYCINANIE ŻYWOPŁOTÓW	318
KONSERWACJA I CZYSZCZENIE	320
PRZYCINARKA DO ŻYWOPŁOTÓW	320
AKUMULATOR	321
ŁADOWARKA	321
WYKRYWANIE I USUWANIE USTEREK	322
GWARANCJA I SERWIS	324
DEKLARACJA ZGODNOŚCI WE	325
DZIAŁY OBSŁUGI KLIENTA W POSZCZEGÓLNYCH KRAJACH	418

SYMBOLE I OZNACZENIA

SYMBOL	NAZWA	OBJAŚNIENIE
	BUDOWA KLASY II	WYZNACZONE NARZĘDZIA BUDOWLANE Z PODWÓJNĄ IZOLACJĄ
	SYMBOL OSTRZEGAJĄCY O NIEBEZPIECZEŃSTWIE	WSKAZUJE, ŻE ZAMIESZCZONY DALEJ TEKST OPISUJE NIEBEZPIECZEŃSTWO, OSTRZEŻENIE LUB KONIECZNOŚĆ ZACHOWANIA OSTROŻNOŚCI.
	PRZECZYTAJ INSTRUKCJE	ORYGINALNA INSTRUKCJA ZAWIERA WAŻNE INFORMACJE NA TEMAT BEZPIECZEŃSTWA I UŻYTKOWANIA. PRZECZYTAJ UWAŻNIE INSTRUKCJE I PRZESTRZEGAJ ICH.
	NOŚ OCHRONĘ OCZU	NOŚ OCHRONĘ OCZU PODCZAS PRACY Z PRZYCINARKĄ DO ŻYWOPLÓTÓW.
	NOŚ OCHRONĘ NA RĘCE	NOŚ RĘKAWICE PODCZAS PRACY Z PRZYCINARKĄ DO ŻYWOPLÓTÓW I PODCZAS OBSŁUGI OSTRZY TNĄCYCH.
	MOC AKUSTYCZNA	MOC AKUSTYCZNA WYNOŚI 74 DB.
	UCHWYT DWIEMA RĘKAMI	PRZYCINARKĘ TRZYMAJ OBIEMA RĘKAMI.
	UCHWYT JEDNĄ RĘKĄ	PRZYCINARKI NIE TRZYMAJ JEDNĄ RĘKĄ.
	NIE SPALAJ	NIE WRZUCAJ DO PŁOMIENI.
	NIE WYRZUCAĆ	NIE WYRZUCAJ RAZEM Z ODPADAMI DOMOWYMI. ODDAJ DO AUTORYZOWANEGO PUNKTU RECYKLINGU.
	NIE WYSTAWIAJ NA DZIAŁANIE DESZCZU	NIE UŻYWAJ ŁADOWARKI W WARUNKACH O DUŻEJ WILGOTNOŚCI.
	WYŁĄCZNIE DO UŻYTKU W ZAMKNIĘTYCH POMIĘSZCZENIACH	PRZEZNACZONY WYŁĄCZNIE DO UŻYTKU W ZAMKNIĘTYCH POMIĘSZCZENIACH.
	SPRAWDŹ ZASILANIE	SPRAWDZAJ REGULARNIE ZASILANIE ELEKTRYCZNE I PRZEWÓD ŁADOWARKI POD KĄTEM EWENTUALNYCH USZKODZEŃ.
	TEMPERATURA PRACY	UŻYWAJ AKUMULATORA TYLKO W TEMPERATURACH W ZAKRESIE OD 0°C DO 40°C (32°F DO 104°F).
	NARZĘDZIE TNĄCE	NARZĘDZIE TNĄCE. NIE DOTYKAJ OSTRZY TNĄCYCH, NIE WYŁĄCZYWSZY NAJPIERW PRZYCINARKI PRZEZ WYJĘCIE AKUMULATORA.

WSTĘP

Przycinarka jest przeznaczona do regularnej pielęgnacji i przycinania żywoplótów. Nie jest przeznaczona do przycinania gałęzi o średnicy większej niż 19 mm (¾ cala). Używanie jej w innych celach może spowodować obrażenia i jest niedozwolone.

ZASADY BEZPIECZEŃSTWA

OGÓLNE OSTRZEŻENIA DOTYCZĄCE BEZPIECZEŃSTWA ELEKTRONARZĘDZI

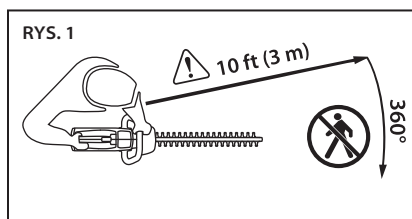
▲ OSTRZEŻENIE: PRZECZYTAJ ZE ZROZUMIENIEM WSZYSTKIE OSTRZEŻENIA BEZPIECZEŃSTWA I INSTRUKCJE. NIEPRZESTRZEGANIE OSTRZEŻEŃ I INSTRUKCJI MOŻE SPOWODOWAĆ PORAŻENIE PRĄDEM, POŻAR I/LUB POWAŻNE OBRAŻENIA.



ZACHOWAJ WSZYSTKIE OSTRZEŻENIA I INSTRUKCJE NA PRZYSZŁOŚĆ. TERMIN „ELEKTRONARZĘDZIE” WYSTĘPUJĄCY W OSTRZEŻENIACH ODNOŚ SIĘ DO NARZĘDZI ZASILANYCH Z SIECI ELEKTRYCZNEJ (Z PRZEWODEM) LUB Z AKUMULATORA (BEZPRZEWODOWYCH).

BEZPIECZEŃSTWO W MIEJSCU PRACY

- Miejsce pracy powinno być czyste i dobrze oświetlone. *Miejsca zatłoczone lub ciemne sprzyjają wypadkom.*
- Nie używaj elektronarzędzi w atmosferach wybuchowych, np. w obecności palnych cieczy, gazów lub pyłów. *Elektronarzędzia powodują iskry, które mogą spowodować zapalenie pyłu lub dymów.*
- Pracując z elektronarzędziem dopilnuj, aby dzieci i przechodnie trzymali się z dala od ciebie (Rys. 1). *Rozproszenie uwagi może spowodować utratę kontroli.*



▲ ZACHOWAJ OSTROŻNOŚĆ: PRZED PRZYSTĄPIENIEM DO PRACY Z TYM SPRZĘTEM WYZNACZ NAJPIERW 3-METROWĄ (10 STÓP) STREFĘ BEZPIECZEŃSTWA DLA PRZECHODNIÓW. *Strefą bezpieczeństwa dla przechodniów jest 3-metrowy (10 stóp) okrąg wokół operatora, w którym nie mogą się znajdować żadni przechodnie, dzieci ani zwierzęta.*

BEZPIECZEŃSTWO ELEKTRYCZNE

- Wtyczki elektronarzędzi muszą pasować do gniazdka elektrycznego. **Nigdy w jakikolwiek sposób nie wolno ich modyfikować. Nie używaj wtyczek z adapterami do elektronarzędzi z uziemieniem. Niepoddane żadnym modyfikacjom wtyczki i odpowiednie gniazdka zmniejszą ryzyko porażenia prądem.**
- Unikaj kontaktu ciała z uziemionymi powierzchniami, takimi jak rury, grzejniki, kuchenki i lodówki. *Kiedy ciało styka się z przedmiotem uziemionym, istnieje wtedy większe ryzyko porażenia prądem.*
- Nie wystawiaj elektronarzędzi na działanie deszczu lub wilgoci. *Woda dostająca się do elektronarzędzia zwiększa ryzyko porażenia prądem.*
- Nie używaj przewodu niezgodnie z przeznaczeniem. **Nigdy nie używaj przewodu do noszenia, ciągnięcia lub wyciągania elektronarzędzia z zasilania. Trzymaj przewód z dala od gorąca, oleju, ostrych krawędzi lub ruchomych części. Uszkodzone lub splątane przewody zwiększają ryzyko porażenia prądem.**
- Podczas pracy z elektronarzędziem na zewnątrz używaj przedłużacza przeznaczonego specjalnie do tego celu. *Używanie przewodu przeznaczonego do użytkowania na zewnątrz zmniejsza ryzyko porażenia prądem.*

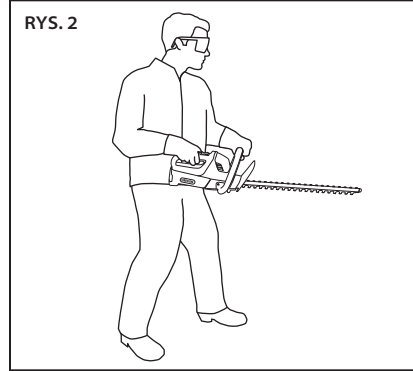
- Jeśli używanie elektronarzędzia w miejscach wilgotnych jest nieuniknione, używaj zasilania z zabezpieczeniem ziemnozwarciowym (RCD) lub zabezpieczenia w postaci wyłącznika w przypadku zwarcia doziemnego (GFCI). Używanie zabezpieczenia RCD (GFCI) zmniejsza ryzyko porażenia prądem.
- Wyjmij wtyczkę natychmiast z zasilania, jeśli przewód jest uszkodzony lub przecięty.

BEZPIECZEŃSTWO OSOBISTE



- Zachowuj czujność, patrz na to, co robisz i kieruj się zdrowym rozsądkiem podczas pracy z elektronarzędziem. Nie używaj elektronarzędzia wtedy, kiedy jesteś zmęczony lub jesteś pod wpływem substancji niedozwolonych, alkoholu lub leków. Chwila nieuwagi podczas pracy z elektronarzędziem może spowodować poważne obrażenia osobiste.
- Używaj specjalnego wyposażenia do ochrony osobistej. Zawsze chroń oczy. Wyposażenie ochronne, takie jak maska przeciwpyłowa, obuwie przeciwpoślizgowe, kapelusz z twardego materiału lub ochrona uszu, stosowane w odpowiednich warunkach, zmniejszą możliwość odniesienia obrażeń ciała.
- Zapobiegaj niezamierzonemu uruchomieniu narzędzia. Upewnij się, że wyłącznik jest w położeniu wyłączonym, zanim narzędzie podłączysz do źródła zasilania i/ lub akumulatora, weźmiesz je lub przeniesiesz. Przenoszenie elektronarzędzi z palcem spoczywającym na wyłączniku lub zasilanie go z włączonym wyłącznikiem sprzyja wypadkom.
- Zanim włączysz elektronarzędzie, usuń najpierw klucz lub narzędzie służące do jego regulacji. Pozostawienie klucza przymocowanego do obracającej się części elektronarzędzia może spowodować obrażenia ciała.

- Nie sięgaj narzędziem zbyt daleko. Przez cały czas pilnuj właściwego ustawienia stóp i zachowania równowagi (Rys. 2). Pozwala to na lepsze panowanie nad elektronarzędziem w nieprzewidzianych sytuacjach.



- Noś właściwy ubiór. Nie noś luźnego ubrania ani biżuterii. Włosy, ubranie i rękawice powinny znajdować się daleko od części ruchomych. Luźne ubranie, biżuteria lub długie włosy mogą się dostać między ruchome części.
- Jeśli urządzenie można podłączyć do akcesoriów przeznaczonych do wyciągania i zbierania pyłu, zadбай o ich przyłączenie i właściwe użytkowanie. Korzystanie z akcesoriów do zbierania pyłu może zmniejszyć zagrożenia związane z pyłem.
- Informowano, że dłuższe używanie elektronarzędzi powoduje zaburzenia naczyniowe, mięśniowe lub neurologiczne (np. tzw. zespół białych palców wskutek wibracji lub zespół Raynauda). Aby zmniejszyć ryzyko obrażeń, przestrzegaj podanych niżej instrukcji:
 - Noś rękawice i dbaj o to, aby ręce i ciało były ciepłe.
 - Trzymaj przycinarkę w mocnym uścisku, ale nie wywieraj dłuższego, nadmiernego nacisku.
 - Rób częste przerwy.

Wibracje przy normalnym użytkowaniu mogą być inne niż podane wartości, zależnie od rodzaju ciętego materiału, pielęgnacji układu tnącego i innych czynników.

UŻYTKOWANIE I PIELĘGNACJA ELEKTRONARZĘDZI

- Nie używaj elektronarzędzi w sposób forsowny. Do konkretnego zadania używaj odpowiedniego elektronarzędzia. *Właściwe narzędzie wykona zadanie lepiej i bezpieczniej z zachowaniem warunków, do jakich jest przeznaczone.*
- Nie używaj elektronarzędzia wtedy, kiedy wyłącznik nie włącza go i nie wyłącza. *Każde elektronarzędzie, którego nie można kontrolować za pomocą wyłącznika, jest niebezpieczne i należy je naprawić.*
- Odłącz wtyczkę od źródła zasilania i/lub akumulator od elektronarzędzia, zanim przystąpisz do regulacji, wymiany akcesoriów lub przechowywania narzędzia. *Takie zapobiegawcze środki bezpieczeństwa zmniejszą ryzyko przypadkowego uruchomienia narzędzia.*



- Niepracujące elektronarzędzia przechowuj z dala od dzieci i nie pozwalaj osobom nieobeznym z elektronarzędziem lub z tymi instrukcjami na korzystanie z narzędzia. *Elektronarzędzia są niebezpieczne w rękach nieprzeszkolonych użytkowników.*
- Dbaj o konserwację elektronarzędzi. Sprawdzaj narzędzia pod kątem złego ustawienia lub zakleszczenia ruchomych części, pęknięć i wszelkich innych warunków, które mogą mieć wpływ na jego pracę. W razie uszkodzenia, narzędzie przed użyciem oddaj do naprawy. *Wiele wypadków jest spowodowanych przez niewłaściwą konserwację elektronarzędzi.*
- Dbaj o to, aby narzędzia tnące były ostre i czyste. *Właściwie konserwowane narzędzia tnące z ostrymi krawędziami tnącymi będą się rzadziej zakleszczać i będzie można je łatwiej kontrolować.*
- Używaj elektronarzędzi, akcesoriów, noży oprawkowych itp. zgodnie z tymi instrukcjami, biorąc pod uwagę warunki robocze i zadania do wykonania. *Używanie elektronarzędzi do zadań innych od tych, do których są przeznaczone, może spowodować niebezpieczne sytuacje.*

UŻYTKOWANIE I PIELĘGNACJA NARZĘDZI AKUMULATOROWYCH

- Ładować wyłącznie za pomocą ładowarki zalecanej przez producenta. *Ładowarka, która nadaje się do jednego typu akumulatora, może spowodować niebezpieczeństwo pożaru, jeśli użyje się jej do innego akumulatora.*
- Używaj elektronarzędzi tylko z akumulatorami specjalnie dla niego przeznaczonymi. *Używanie innych akumulatorów może spowodować ryzyko odniesienia obrażeń lub pożaru.*
- Jeśli akumulator nie jest używany, przechowuj go z dala od metalowych przedmiotów, takich jak spinacze do papieru, monety, klucze, gwoździe, śruby lub inne małe przedmioty metalowe, które mogą doprowadzić do połączenia pomiędzy zaciskami. *Zwarcie zacisków akumulatora może spowodować oparzenia lub pożar.*
- W razie użytkowania w niewłaściwych warunkach z akumulatora może wydostać się płyn; unikaj kontaktu. *W razie przypadkowego kontaktu zmyj wodą. Jeśli płyn dostanie się do oczu, dodatkowo poszukaj pomocy medycznej. Płyn wydostający się z akumulatora może spowodować podrażnienia lub oparzenia.*

SERWIS

Zlecaj serwisowanie swoich elektronarzędzi wykwalifikowanym serwisantom, używając tylko identycznych części zamiennych. Zapewni to zachowanie bezpieczeństwa przy pracy z elektronarzędziem.

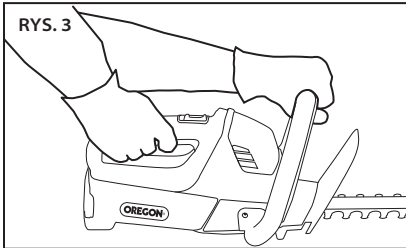
OSTRZEŻENIA BEZPIECZEŃSTWA DO PRZYCINARKI DO ŻYWOPŁOTÓW



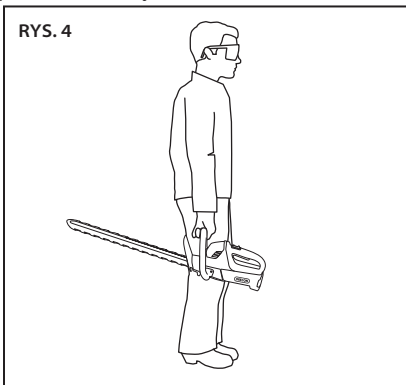
▲ NIEBEZPIECZEŃSTWO: TRZYMAJ RĘCE Z DALA OD OSTRZA. KONTAKT Z OSTRZEM SPOWODUJE POWAŻNE OBRAŻENIA CIAŁA.

⚠ OSTRZEŻENIE: UŻYWAJ TYLKO PO WŁAŚCIWYM ZAŁOŻENIU UCHWYTU I OSŁONY RĄK NA PRZYCINARCE DO ŻYWOŁOTÓW. UŻYTKOWANIE PRZYCINARKI BEZ DOSTARCZONEJ WŁAŚCIWEJ OSŁONY LUB UCHWYTU MOŻE SPOWODOWAĆ POWAŻNE OBRAŻENIA CIAŁA.

- Podczas pracy z przycinarką używaj obu rąk. Używanie jednej ręki może spowodować utratę kontroli i poważne obrażenia ciała (Rys. 3).



- Trzymaj wszystkie części ciała z dala od ostrza tnącego. Nie usuwaj ciężego materiału i nie trzymaj go podczas cięcia wtedy, gdy ostrza się poruszają. Usuając zakleszczony materiał, dopilnuj, aby wyłączyć wyłącznik. Ostrza po wyłączeniu narzędzia jeszcze się poruszają pod wpływem bezwładności. Chwila nieuwagi podczas pracy z przycinarką może spowodować poważne obrażenia ciała.
- Przenosząc przycinarkę za uchwyt po zatrzymaniu się ostrza tnącego (Rys. 4). Transportując lub przechowując przycinarkę, zawsze zakładaj osłonę na urządzenie tnące. Właściwe postępowanie z przycinarką ograniczy możliwość zranienia przez ostrza tnące.



- Elektronarzędzie trzymaj tylko za izolowane powierzchnie chwytne, ponieważ ostrze tnące może zetknąć się z ukrytym przewodem lub własnym kablem. Ostrza tnące po zetknięciu się z przewodem „pod napięciem” mogą spowodować, że odkryte części metalowe narzędzia również znajdą się „pod napięciem”, co może doprowadzić do porażenia operatora prądem.
- Przcinararka nie zawiera żadnych części serwisowanych przez użytkownika. Wymiana, serwisowanie i naprawa ostrza wymagają specjalnego szkolenia. Zobacz „Informacje o serwisie i pomocy technicznej” zawierające dane kontaktowe.

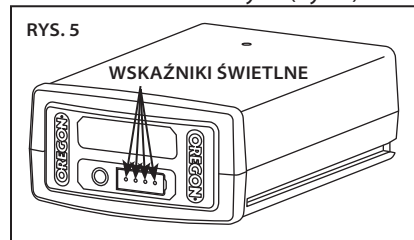
PRZECHOWYWANIE, TRANSPORTOWANIE I UTYLIZACJA

PRZECHOWYWANIE PRZYCINARKI DO ŻYWOŁOTÓW

- Nałóż smar na ostrza tnące. Więcej informacji na ten temat można znaleźć w rozdziale „Konserwacja i czyszczenie”.
- Wyjmij akumulator z przycinarki.
- Dokładnie oczyść przycinarkę.
- Załóż osłonę na ostrze.
- Przechowuj w suchym miejscu.
- Umieść w miejscu będącym poza zasięgiem dzieci i zwierząt.

PRZECHOWYWANIE AKUMULATORA

- Jeśli akumulator ma być przechowywany dłużej niż przez dziewięć miesięcy, zastosuj się do następujących wskazówek:
- Wyjmij akumulator z przycinarki lub z ładowarki.
 - Przechowuj go w chłodnym i suchym miejscu.
 - Umieść w miejscu będącym poza zasięgiem dzieci i zwierząt.
 - Aby wydłużyć żywotność akumulatora, nigdy nie przechowuj go w stanie całkowicie rozładowanym. (Rys. 5).



- Przechowuj go w temperaturach od -20°C do 30°C (-4°F do 86°F).



PRZECHOWYWANIE ŁADOWARKI

- Wyjmij akumulator z ładowarki.
- Odłącz ładowarkę od źródła zasilania.
- Przechowuj w suchym miejscu.
- Umieść w miejscu będącym poza zasięgiem dzieci i zwierząt.

Więcej informacji na ten temat można znaleźć w rozdziale „Konserwacja i czyszczenie”.

TRANSPORTOWANIE PRZYCINARKI DO ŻYWOPLÓTÓW

Przed wysyłką przygotuj przycinarkę w sposób opisany w rozdziale „Przechowywanie przycinarki do żywoplótów”.

TRANSPORTOWANIE AKUMULATORA

Podczas transportu akumulatorów litowo-jonowych przestrzegaj stosownych regulacji krajowych; wymagane może być obowiązkowe oznakowanie.

UTYLIZACJA PRZYCINARKI DO ŻYWOPLÓTÓW ORAZ ŁADOWARKI

Produkty marki OREGON® projektuje się i wytwarza z zastosowaniem wysokiej jakości materiałów i komponentów, które potem można poddać recyklingowi i ponownie wykorzystać. Po upływie okresu żywotności produktu, i zgodnie z Dyrektywą 2002/95/WE, urządzenie elektryczne należy zutylizować, oddzielając je od odpadów domowych. W Unii Europejskiej istnieje oddzielny system zbiórki przeznaczony dla zużytych produktów elektrycznych i elektronicznych. Proszę zutylizować ten sprzęt w sposób właściwy dla środowiska w lokalnym centrum zbiórki odpadów komunalnych i recyklingu.

UTYLIZACJA AKUMULATORÓW

Nie wyrzucaj akumulatora do zwykłych odpadów domowych. Nie spalaj akumulatora. Lokalne urzędy ds. zarządzania odpadami i recyklingiem dysponują informacjami na temat właściwej utylizacji lub recyklingu zgodnie z uregulowaniami dotyczącymi środowiska naturalnego.



BEZPIECZEŃSTWO AKUMULATORA

⚠ NIEBEZPIECZEŃSTWO: NIEPRZESTRZEGANIE TYCH ZASAD BEZPIECZEŃSTWA MOŻE SPOWODOWAĆ WYCIEKANIE NIEBEZPIECZNYCH SUBSTANCJI CHEMICZNYCH Z AKUMULATORA, PRZEGRZANIE, EMISJĘ DYMU, PĘKNIĘCIE, ZAPALENIĘ, WYBUCH I/ LUB ZAPŁÓN AKUMULATORA.

⚠ ZACHOWAJ OSTROŻNOŚĆ: NIE WYRZUCAJ AKUMULATORA DO ODPADÓW DOMOWYCH LUB DO OGNIĄ. AKUMULATORY LITOWO-JONOWE NALEŻY PODDAĆ RECYKLINGOWI W LOKALNYM AUTORYZOWANYM PUNKCIE RECYKLINGU.

⚠ ZACHOWAJ OSTROŻNOŚĆ: NIE WYSTAWIAJ AKUMULATORA NA DZIAŁANIE NADMIERNEGO GORĄCA, NP. WE WNEŹTRZU POJAZDU PODCZAS WYSOKICH TEMPERATUR. MOŻE TO SPOWODOWAĆ UTRATĘ JEGO SPRAWNOŚCI I/ LUB SKRÓCENIE JEGO ŻYWOTNOŚCI. NIE PRÓBUJ ŁADOWAĆ BATERII NIEPRZEZNACZONYCH DO PONOWNEGO ŁADOWANIA.

- Nie rozbieraj i nie modyfikuj akumulatora. To może uszkodzić jego zabezpieczenia.
- Nie łącz dodatniego (+) i ujemnego (-) zacisku metalowymi przedmiotami i nie przechowuj akumulatora razem z metalowymi przedmiotami, np. z monetami lub śrubami. Może to spowodować zwarcie i wytworzenie ciepła wystarczającego do spowodowania oparzeń.

- Nie spalaj akumulatora i nie wystawiaj go na działanie nadmiernego gorąca. Może to spowodować stopienie się izolacji lub uszkodzenie jego zabezpieczeń.
- Nie używaj go, nie ładuj i nie przechowuj w pobliżu miejsc o temperaturach wyższych niż 80°C (176°F). Może to spowodować przegrzanie i wewnętrzne zwarcie.
- Nie wystawiaj go na działanie bardzo dużej wilgotności. Może to spowodować uszkodzenie jego zabezpieczeń, wywołać ładowanie niezwykłe dużym prądem i napięciem i doprowadzić do nienormalnych reakcji chemicznych.
- Używaj tylko ładowarki specjalnie przeznaczonej dla danego akumulatora i przestrzegaj środków bezpieczeństwa opisanych w rozdziale „Bezpieczeństwo ładowarki”. Używanie innej ładowarki może spowodować uszkodzenie zabezpieczeń, wywołać ładowanie niezwykłe dużym prądem i napięciem, oraz doprowadzić do nienormalnych reakcji chemicznych.
- Nie używaj akumulatorów marki OREGON® w narzędziach nienależących do tej marki.
- Nie uderzaj, nie otwieraj i nie wyrzucaj akumulatora, jak również nie używaj akumulatorów uszkodzonych lub zdeformowanych.
- Jeśli ładowanie się nie udaje, nie próbuj ponownie tego robić. Jeśli akumulator wydziela odór, wytwarza ciepło lub zmienia kolor, jest zdeformowany albo w jakiś sposób zachowuje się nienormalnie podczas użytkowania, ładowania lub przechowywania, natychmiast wyjmij go z przycinarki lub z ładowarki.
- Każda ciecz wyciekająca z akumulatora powoduje korozję, może uszkodzić oczy i skórę, jak również może być toksyczna w przypadku połknięcia.

BEZPIECZEŃSTWO ŁADOWARKI

WAŻNE INSTRUKCJE BEZPIECZEŃSTWA

⚠ ZACHOWAJ OSTROŻNOŚĆ: TO URZĄDZENIE NIE JEST PRZEZNACZONE DO UŻYTKOWANIA PRZEZ OSOBY (WŁĄCZNIE Z DZIEĆMI) O OGRANICZONYCH ZDOLNOŚCIACH FIZYCZNYCH, CZUCIOWYCH LUB UMYSŁOWYCH ALBO BEZ DOSTATECZNEJ

WIEDZY, CHYBA ŻE DZIAŁAJĄ ONE POD NADZOREM LUB ZGODNIE Z INSTRUKCJAMI OSOBY ODPOWIADAJĄCEJ ZA ICH BEZPIECZEŃSTWO. DZIECI NALEŻY NADZOROWAĆ, BY MIEĆ PEWNOŚĆ, ŻE NIE BAWIĄ SIĘ TAKIMI URZĄDZENIAMI.

⚠ OSTRZEŻENIE: RYZYKO PORAŻENIA PRĄDEM. W RAZIE UŻYTKOWANIA URZĄDZENIA NA ZEWNĄTRZ, PODŁĄCZAJ TYLKO DO CHRONIONEGO GNIAZDKA GFCI KLASY A, ODPORNEGO NA WARUNKI POGODOWE, Z ZASILACZEM PRZYŁĄCZONYM DO GNIAZDKA. JEŚLI TAKIE JEST NIEDOSTĘPNE, SKONTAKTUJ SIĘ Z WYKWALIFIKOWANYM ELEKTRYKIEM W CELU WYKONANIA WŁAŚCIWEJ INSTALACJI. UPEWNIJ SIĘ, ŻE ZASILACZ I PRZEWÓD NIE PRZESZKADZAJĄ PRZY CAŁKOWICIE ZAMKNIĘTEJ OSŁONIE GNIAZDKA.

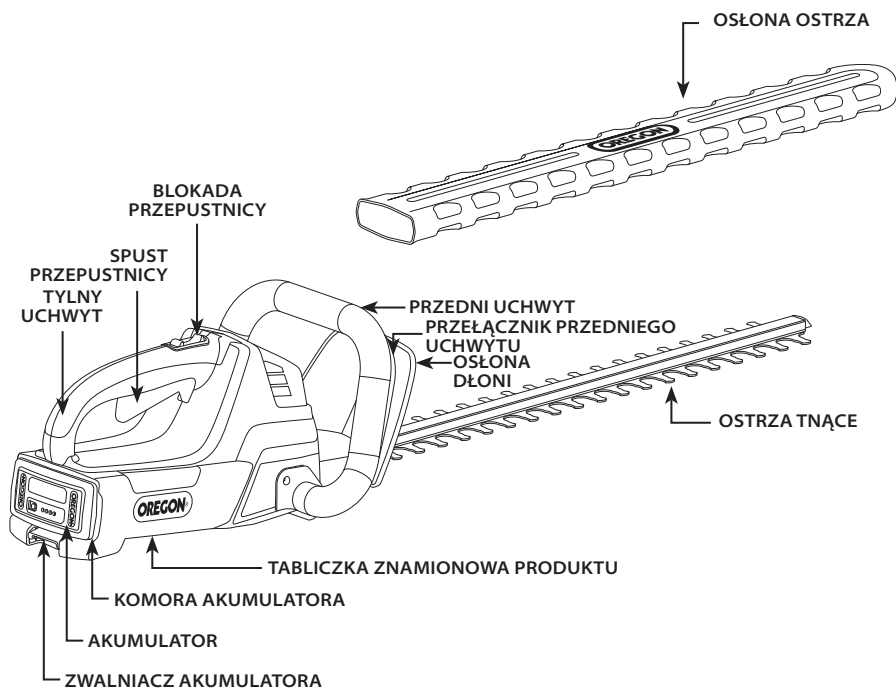
⚠ ZACHOWAJ OSTROŻNOŚĆ: UŻYWAJ TEJ ŁADOWARKI TYLKO RAZEM Z DOSTARCZONYM PRZEWODEM, UPEWNIAJĄC SIĘ, ŻE WTYCZKA DOKŁADNIE PASUJE DO GNIAZDKA WYJŚCIOWEGO.

Podczas użytkowania produktów elektrycznych zawsze należy przestrzegać podstawowych środków ostrożności, włącznie z następującymi:

- **Przed użyciem przeczytaj i zastosuj się do wszystkich instrukcji bezpieczeństwa.** *Przeczytaj i zastosuj się do wszystkich instrukcji znajdujących się na produkcie lub dostarczonych razem z produktem.*
- **Zachowaj te instrukcje.**
- **Nie używaj przedłużacza do przewodów.**
- **Nie używaj przewodu niezgodnie z przeznaczeniem.** *Nigdy nie używaj przewodu do noszenia, ciągnięcia lub wyciągania elektronarzędzia z zasilania. Trzymaj przewód z dala od gorąca, oleju, ostrych krawędzi lub ruchomych części. Uszkodzone lub splątane przewody zwiększają ryzyko porażenia prądem.*
- **Nie wystawiaj ładowarki na działanie deszczu.** *Użytkować tylko w pomieszczeniach zamkniętych.*
- **Nie używaj w obrębie 3 m (10 stóp) od basenu.**
- **Nie używaj w łazience.**

IDENTYFIKACJA PRODUKTU

POZNAJ PRZYCINARKĘ DO ŻYWOPŁOTÓW



UWAGA: Wykaz dołączonych elementów można zobaczyć w rozdziale „Rozpakowywanie”.

SPECYFIKACJA I ELEMENTY SKŁADOWE

ELEMENTY WYMIENNE	NUMER CZĘŚCI
AKUMULATOR, MODEL B400E	548206
ŁADOWARKA Z PRZEWODEM, MODEL C600	UE - 554933 UK - 554872 AU/NZ - 560663
ŁADOWARKA Z PRZEWODEM, MODEL C750	UE - 558697 UK - 558698 AU/NZ - 558699
ŁADOWARKA, MODEL C600	
WEJŚCIE	100-240 V~ 50-60 HZ 60 W
WYJŚCIE	41,5 V _{DC} 1,25 A
PRZEWÓD ZASILAJĄCY	UE - 547383 UK - 547384 AU/NZ - 559380
AKUMULATOR, MODEL B400E	
MASA	1,23 kg (2,72 funta)
TYP	LITOWO-JONOWY
NAPIĘCIE ZNAMIONOWE	+37 VDC
TEMPERATURA PRACY	0°C DO 40°C (32°F DO 104°F)
POJEMNOŚĆ ZNAMIONOWA	2,4 Ah / 89 Wh
CZAS ŁADOWANIA (OKOŁO)	120 MINUT
PRZYCINARKA DO ŻYWOPŁOTÓW	
DŁUGOŚĆ OSTRZA	600 mm (24 cale)
TYP OSTRZA	PODWÓJNE POSUWISTO-ZWROTNE
MAKS. PRĘDKOŚĆ CIĘCIA OSTRZA	2750 CIĘĆ NA MINUTĘ
MAKS. ŚREDNICA CIĘCIA	DO 19 MM (3/4 cala)
MASA Z B400E	4,4 kg (9,8 funta)
POZIOM MOCY AKUSTYCZNEJ	74 dB L _{WA} (K, 0,18 dB)
WIBRACJE	1,16 m/s ² (K, 0,26 m/s ²)

NAZWY I TERMINY DOTYCZĄCE PRZYCINARKI DO ŻYWOPŁOTÓW

Zakleszczenie łącza: Sytuacja, w której ostrza tnące nie będą się poruszać z powodu materiału uwięzionego pomiędzy ruchomymi i nieruchomymi częściami ostrzy tnących.

Strefa bezpieczeństwa dla przechodniów: 3-metrowy (10 stóp) okrąg wokół operatora, w którym nie mogą się znajdować żadni przechodnie, dzieci ani zwierzęta.

Ostrza tnące: Szereg zaostrzonych powierzchni wystających z przodu przycinarki, które poruszają się do tyłu i do przodu, przycinając żywopłot.

Porą przycinania: Idealny czas na przycinanie żywopłotów zależy od rodzaju rośliny, ale generalnie dobrą zasadą jest przycinanie w okresach powolnego wzrostu, po zakończeniu okresu kwitnienia. Skonsultuj się z lokalną szkółką i poproś o wskazówki dotyczące przycinania poszczególnych roślin.

Prędkość przycinania: Przycinarka do żywopłotów ma regulowaną prędkość przycinania. Aby przycinać szybciej, naciśnij mocniej na spust przepustnicy. Aby uzyskać jak najdłuższy czas przycinania po każdorazowym naładowaniu, używaj tylko minimalnej prędkości przycinania do cięcia materiału.

Przedni uchwyt: Do zamocowania rączki umieszczonej z przodu przycinarki.

Przełącznik przedniego uchwytu: Przełącznik w kształcie litery „U” biegnący wzdłuż przedniej strony uchwytu, który zapobiega niezamierzonemu działaniu przycisku przepustnicy, dopóki się go nie uruchomi ręcznie.

Ostłona dłoni: Bariera konstrukcyjna pomiędzy przednim uchwytem przycinarki i ostrzami tnącymi.

Nowy wzrost: Ostatni wzrost rośliny. Jest on zwykle jaśniejszego koloru, mniej zdrewniały i bardziej elastyczny niż reszta rośliny.

Tyłny uchwyt: Uchwyt wspierający, umieszczony z tyłu przycinarki w miejscu, gdzie znajduje się spust przepustnicy.

Spust przepustnicy: Element, którym kontroluje się prędkość ostrzy tnących.

Blokada spustu: Przesuwany ogranicznik, który zapobiega nieumyślnemu uruchomieniu przycinarki, dopóki się go ręcznie nie uruchomi.

OBSŁUGA PRZYCINARKI DO ŻYWOPŁOTÓW

ROZPAKOWYWANIE

CO SIĘ MIEŚCI W PUDEŁKU?

Przycinarka do żywopłotów dostarczana jest w stanie całkowicie złożonym. Z przycinarką dostarczane są następujące elementy:

- Przycinarka do żywopłotów
- Osłona ostrza
- Instrukcja obsługi
- Ładowarka i przewód zasilający (jeśli wchodzi w skład wyposażenia)
- Akumulator (jeśli wchodzi w skład wyposażenia)

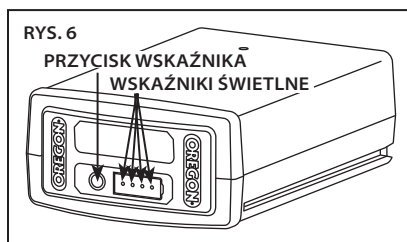
Po wyjęciu przycinarki z pudełka należy uważnie sprawdzić jego zawartość i upewnić się, czy podczas wysyłki nie doszło do żadnych uszkodzeń i czy nie brakuje żadnych części. Jeśli jakieś części są uszkodzone lub ich brakuje, nie używaj przycinarki. Skontaktuj się z OREGON® Cordless Tool System w celu uzyskania części zamiennych. Właściwe dla poszczególnych krajów numery telefonów podano w rozdziale „Dział obsługi klienta w poszczególnych krajach”.

AKUMULATOR I ŁADOWARKA

⚠ OSTRZEŻENIE: NIE ŁADUJ AKUMULATORA NA DESZCZU.

LEDOWY WSKAŹNIK POZIOMU NAŁADOWANIA AKUMULATORA

Akumulator litowo-jonowy jest wyposażony w LEDOWY wskaźnik poziomu naładowania. Aby sprawdzić poziom naładowania akumulatora, naciśnij przycisk wskaźnika z przodu akumulatora (Rys. 6).



Nic się nie świeci: naładuj akumulator.

Ciągłe zielone światło: naładowany w mniej niż 25%. Naładuj akumulator, zanim go użyjesz.

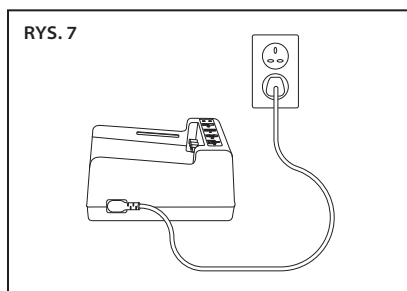
Dwa ciągłe zielone światła: naładowany w 26–50%.

Trzy ciągłe zielone światła: naładowany w 51–75%.

Cztery ciągłe zielone światła: naładowany w 76–100%.

PODŁĄCZANIE ŁADOWARKI

Podłącz przewód zasilający do ładowarki i do odpowiedniego gniazdka elektrycznego (Rys. 7).



Używaj tylko przewodu dostarczonego razem z ładowarką. Podczas pierwszego użycia sprawdź, czy typ wtyczki pasuje do gniazdka.

LEDOWY WSKAŹNIK STANU ŁADOWANIA ŁADOWARKI

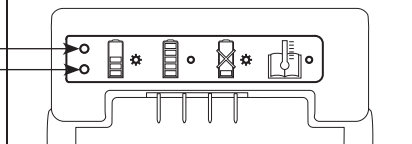
Ładowarka akumulatora jest wyposażona we wskaźnik LEDOWY stanu ładowania ładowarki, który ostrzega użytkownika o stanie ładowania, jak również o warunkach, które mogą opóźnić lub uniemożliwić ładowanie (Rys. 8).

Uwaga: Dopóki nie wstawi się akumulatora, nie będzie widać żadnych światełek.

Migające pomarańczowe światło: wystąpiła usterka. Istnieje kilka możliwych przyczyn: Zobacz rozdział „Wykrywanie i usuwanie usterek” w tej instrukcji.

Ciągłe pomarańczowe światło: temperatura akumulatora przekracza dopuszczalny zakres (0°C/32°F do 40°C/104°F). Odczekać, aż akumulator osiągnie dopuszczalną temperaturę, zanim przystąpi się do ładowania. Podczas ustalania się temperatury akumulator można zostawić w ładowarce. Ładowanie rozpocznie się wtedy, kiedy temperatura osiągnie właściwą wartość.

RYS. 8



Migające zielone światło: akumulator ładuje się.

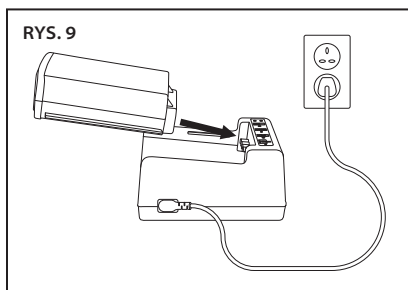
Ciągłe zielone światło: akumulator jest GOTOWY DO UŻYCIA.

ŁADOWANIE AKUMULATORA

⚠ OSTRZEŻENIE:
NIEPRZESTRZEGANIE WŁAŚCIWYCH PROCEDUR ŁADOWANIA MOŻE SPOWODOWAĆ NADMIERNE NAPIĘCIE, PRZEPLYW NADMIERNEGO PRĄDU, UTRATĘ KONTROLI PODCZAS ŁADOWANIA, WYCIEK NIEBEZPIECZNYCH SUBSTANCJI CHEMICZNYCH, WYTWARZANIE SIĘ CIEPŁA, PĘKNIĘCIE LUB POŻAR.

Po podłączeniu przewodu ładowarki i wetknięciu go do gniazdka elektrycznego, zrównaj rowki akumulatora z szynami w ładowarce i wsuń akumulator całkowicie do ładowarki (Rys. 9).

RYS. 9

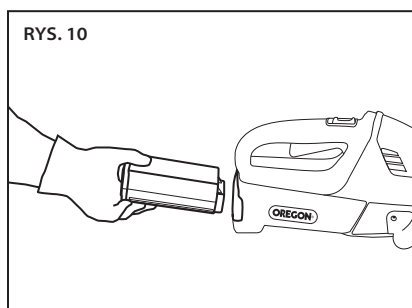


Sprawdź wskaźnik stanu ładowania.

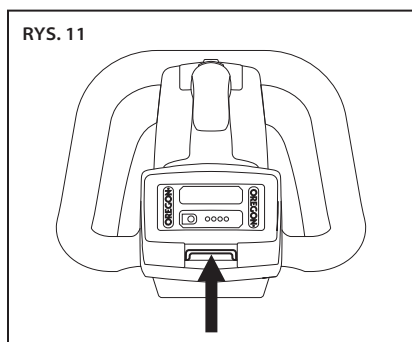
WKŁADANIE I WYJMOWANIE AKUMULATORA

Używaj tylko akumulatorów marki OREGON® wymienionych w tej instrukcji obsługi.

Zrównaj rowek akumulatora z szynami w komorze na akumulator. Zdecydowanym ruchem wstaw akumulator do komory w przycinarkę, dociskając go w przód, dopóki nie usłyszysz kliknięcia i akumulator nie zablokuje się w swym położeniu (Rys. 10).



Aby wyjąć akumulator, unieś do góry zwalniacz akumulatora i wyjmij akumulator (Rys. 11).



OGÓLNE ZASADY OBSŁUGI



▲ OSTRZEŻENIE: ZAWSZE NOŚ ODPOWIEDNIE RĘKAWICE I OCHRONĘ OCZU.

TEMPERATURA PRACY

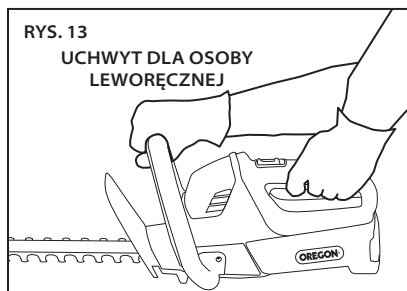
Przycinarka do żywopłotów powinna pracować w temperaturach w zakresie od 0°C do 40°C (32°F do 104°F).

UCHWYT

Narzędzie zawsze trzymaj obiema rękami. Przy obsłudze prawą ręką, postaw przycinarkę na twardej, płaskiej powierzchni, chwyć za uchwyt z przodu lewą ręką, a za uchwyt z tyłu – prawą ręką. Obejmij palcami górną część przedniego uchwytu, kciukiem od spodu (Rys. 12).



Przy obsłudze lewą ręką, chwyć za uchwyt z przodu prawą ręką, a za uchwyt z tyłu – lewą ręką (Rys. 13).



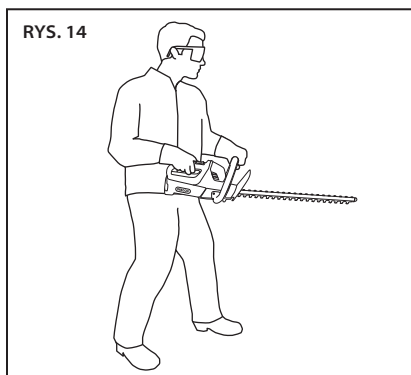
USTAWIENIE CIAŁA

Stań obiema stopami na pewnym gruncie, ciężar ciała rozkładając równo na obie stopy.

Nie sięgaj za daleko i nie stawaj na drabinie, stołku ani na podwyższeniu, które nie jest całkowicie bezpieczne.



Trzymaj przycinarkę jak najbliżej ciała, aby zachować kontrolę (Rys. 14).

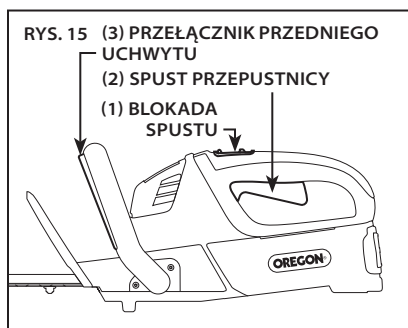


ZATRZYMYWANIE PRZYCINARKI

Aby zatrzymać przycinarkę, zwolnij spust przepustnicy.

URUCHAMIANIE PRZYCINARKI

Złap mocno za uchwyty z przodu i z tyłu. Pociągnij kciukiem do tyłu za blokadę spustu (1) (Rys. 15). Naciskaj na spust przepustnicy (2), dopóki ostrza tnące nie zaczną się poruszać z pożądaną prędkością. Przełącznik (3) przy przednim uchwycie jest elementem zabezpieczającym; przycinarka nie uruchomi się, zanim się go nie aktywuje.



KONTROLOWANIE PRĘDKOŚCI OSTRZA TNĄCEGO

Spustem przepustnicy kontroluje się prędkość, z jaką oscylują ostrza tnące. Aby przycinać szybciej, naciśnij mocniej na spust przepustnicy.

Użyj jak najmniejszego nacisku potrzebnego do cięcia materiału. Pomoże to maksymalnie wydłużyć czas cięcia po naładowaniu akumulatora i zmniejszy liczbę operacji ładowania.

PRZYCINANIE ŻYWOPLÓTÓW

KIEDY PRZYCINAĆ

Idealny czas na przycinanie żywoplótów zależy od rodzaju rośliny, ale generalnie dobrą zasadą jest przycinanie w okresach powolnego wzrostu, po zakończeniu okresu kwitnięcia. Skonsultuj się z lokalną szkółką i poproś o wskazówki dotyczące przycinania poszczególnych roślin.

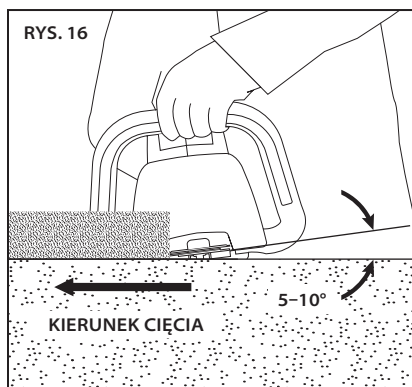
Przestrzegaj wszystkich obowiązujących krajowych i miejskich zasad i regulacji dotyczących przycinania żywoplótów.

PRZYCINANIE PODSTAWOWE

▲ OSTRZEŻENIE: ZAWSZE USTAWIAJ SIĘ PEWNIENIE STOPAMI NA ZIEMI I MOCNO TRZYMAJ PRZYCINARKĘ OBIEMA RĘKAMI, KIEDY JEJ SILNIK PRACUJE.

Przed przystąpieniem do przycinania sprawdź najpierw, czy w żywoplocie nie ma obcych przedmiotów, aby w ten sposób uniknąć uszkodzenia ostrzy. Usuń wszelkie przedmioty, które mogłyby utrudniać przycinanie.

Założ mocny chwyt i przyjmij odpowiednią pozycję, a następnie uruchom przycinarkę. Trzymaj przycinarkę z ostrzami tnącymi pod kątem 5–10° w stosunku do kierunku przycinania (Rys. 16).



WAŻNA UWAGA: OSTRZA TNĄCE OD CZASU DO CZASU ZAKLESZCZAJĄ SIĘ I ZATRZYMUJĄ, KIEDY MATERIAŁ UWIĘŹNIE W NICH LUB JEŚLI ZETKNAŁ SIĘ ONE Z OGRODZENIEM Z DRUTU LUB SIATKI. ZOBACZ ROZDZIAŁ „USUWANIE ZAKLESZCZEŃ OSTRZA”, ABY SIĘ DOWIEDZIEĆ, JAK TO NAPRAWIĆ.

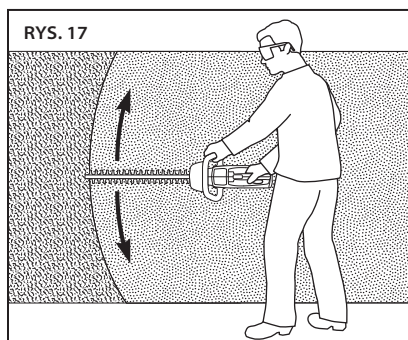
KOLEJNOŚĆ PRZYCINANIA

Jeśli żywoplót jest dobrze utrzymany, skoncentruj się na przycinaniu nowych wzrostów, dopóki żywoplót nie uzyska pożądanego kształtu.

Po usunięciu dużych gałęzi użyj przycinarki do przycięcia boków żywoplotu na pożądaną długość. Przytnij górę na samym końcu, kiedy boki będą już gotowe.

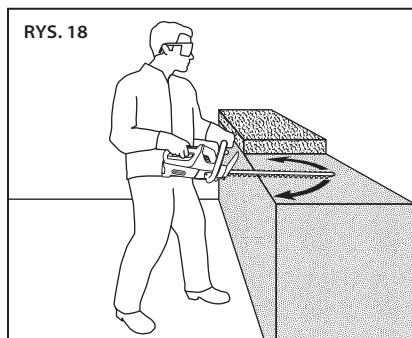
PRZYCINANIE W PIONIE

Przycinając boki żywoplotu, zacznij od samego dołu. Trzymaj przycinarkę z ostrzami tnącymi pod kątem 5–10° w stosunku do kierunku przycinania. Przesuwaj się w dół wzdłuż linii żywoplotu, obracając przycinarkę powoli do góry i w dół szerokim łukiem (Rys. 17).



PRZYCINANIE W POZIOMIE

Przycinając wierzchołek żywopłotu, zacznij od najbliższej krawędzi. Trzymaj przycinarkę z ostrzami tnącymi pod kątem 5–10° w stosunku do kierunku przycinania. Przesuwaj się w dół wzdłuż linii żywopłotu, obracając przycinarkę powoli w lewo i w prawo szerokim łukiem (Rys. 18).



Jeśli wierzchołek żywopłotu jest za szeroki do przycięcia go jednym szerokim łukiem przycinarki, nie wychylaj się poza jego brzeg, aby przyciąć pozostałą część. Zamiast tego zrób jeden bok żywopłotu, a potem przytnij pozostałą jego część z drugiej strony.

USUWANIE ZAKLESZCZEŃ OSTRZA

⚠ ZACHOWAJ OSTROŻNOŚĆ: ZAWSZE WYJMIJ NAJPIERW AKUMULATOR, ZANIM PRYZYSTĄPISZ DO CZYSZCZENIA OSTRZY TNĄCYCH, ABY W TEN SPOSÓB UNIKNĄĆ PRZYPADKOWEGO URUCHOMIENIA OSTRZY.

⚠ ZACHOWAJ OSTROŻNOŚĆ: OSTRZA TNĄCE SĄ OSTRE. PODCZAS USUWANIA MATERIAŁU Z OSTRZY TNĄCYCH ZAWSZE ZAKŁADAJ RĘKAWICE.

Niekiedy podczas przycinania elastycznych, „zielonych” gałęzi, ścinki mogą się dostawać pomiędzy ruchome części ostrzy tnących i części nieruchome. Kiedy tak się stanie, ostrza mogą nagle przestać się poruszać. Może tak się stać również wtedy, kiedy ostrza zetkną się z materiałem zbyt twardym, aby można go było przeciąć, np. z siatką ogrodzenia. Sytuację taką nazywa się zakleszczeniem ostrza.

Aby w sposób bezpieczny i skuteczny usunąć wtedy materiał, postępuj zgodnie z poniższymi wskazówkami.

- Załóż rękawice.
- Wyjmij akumulator z przycinarki. Patrz „Wyjmowanie akumulatora”.
- Usuń materiał, który nie pozwala ostrzu przemieszczać się.

KONSERWACJA I CZYSZCZENIE

PRZYCINARKA DO ŻYWOPLÓTÓW

⚠ OSTRZEŻENIE: SPRAWDZAJ STAN PRZYCINARKI. REGULARNE INSPEKCJE SĄ PIERWSZYM KROKIEM DO WŁAŚCIWEJ PIELĘGNACJI. POSTĘPUJ ZGODNIE Z PONIŻSZYMI WSKAZÓWKAMI, ABY ZAPEWNIĆ SOBIE MAKSYMALNE BEZPIECZEŃSTWO I ZADOWOLENIE. USZKODZONE LUB NADMIERNIE ZUŻYTE CZĘŚCI ODDAWAJ NATYCHMIAST DO WYMIANY. NIEWYKRYCIE I NIEWYMIENIENIE USZKODZONYCH LUB ZUŻYTYCH CZĘŚCI MOŻE SPOWODOWAĆ POWAŻNE OBRAŻENIA CIAŁA.

⚠ OSTRZEŻENIE: PRZED PRZYSTĄPIENIEM DO INSPEKCJI, CZYSZCZENIA LUB KONSERWACJI PRZYCINARKI, NAJPIERW WYMIJ Z NIEJ AKUMULATOR. NARZĘDZIE PRACUJĄCE Z WŁOŻONYM AKUMULATOREM JEST ZAWSZE WŁĄCZONE I MOŻE PRZEZ PRZYPADEK SIĘ URUCHOMIĆ.

⚠ ZACHOWAJ OSTROŻNOŚĆ: PODCZAS CZYSZCZENIA PRZYCINARKI NIE ZANURZAJ JEJ W WODZIE ANI W INNYCH CIECZACH.

OCZYŚĆ PRZYCINARKĘ

- Wytrzyj ją z pyłu, liści i ścinków.
- Oczyszcz otwory wentylacyjne, aby zapewnić właściwy przepływ powietrza i zapobiec przegrzewaniu.
- Przetrzyj głowicę zasilającą czystą szmatką zwilżoną łagodnym mydłem rozpuszczonym w wodzie.
- Nigdy nie używaj ostrych środków czyszczących ani rozpuszczalników.

PODDAJ INSPEKCJI OSTRZA TNĄCE

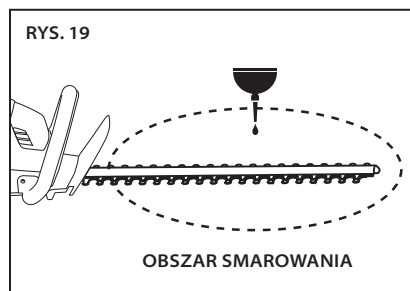
Upewnij się, że ostrza są ostre, nie mają żadnych nacięć ani tępych brzegów, nie zawieszają się i nie łapią podczas pracy przycinarki. Regularnie usuwaj pilnikiem nacięcia i zadziory na ostrzach, aby mogły one poruszać się swobodnie. Ostre i

swobodnie poruszające się ostrza tną łatwiej niż takie, które są tępe lub lepkie.

PIELĘGNACJA OSTRZY

Kiedy przycina się żywoploty zawierające dużo soku lub robi się to w warunkach dużego zapylenia, nagromadzenie się soku i brudu może czasami prowadzić do zakleszczania ostrzy. Aby zapobiec takim sytuacjom, ostrza należy oczyścić tylko za pomocą cienkiej warstwy smaru płynnego położonego na powierzchni smarowania (Rys. 19) i uruchomić je na krótko w celu równomiernego rozprowadzenia smaru.

WAŻNA UWAGA: NIE DOPUSZCZAJ DO TEGO, ABY SMAR SKAPYWAŁ DO WNĘTRZA KORPUSU PRZYCINARKI. NIGDY NIE UŻYWAJ ROZPUSZCZALNIKÓW DO SMARU ANI AEROZOŁOWYCH PRODUKTÓW DO USUWANIA WODY. NIE PODAWAJ ZBYT DUŻEJ ILOŚCI SMARU.



SPRAWDŹ OSŁONĘ KOŃCÓWKI

Jeśli jest zamontowana, sprawdź i upewnij się, że nie jest wygięta ani pęknięta. Wygięta osłona końcówki może utrudniać swobodne poruszanie się ostrzy tnących. Jeśli osłona jest wygięta lub pęknięta, oddaj ją do wymiany w autoryzowanym punkcie serwisowym.

ZAŁÓŻ OSŁONĘ NA OSTRZE

Nasun osłonę na ostrza tnące, aby były czyste i aby je zabezpieczyć przed chwytnością lub zranieniem ludzi lub przedmiotów.

SPRAWDŹ UCHWYTY

Dopilnuj, aby zarówno uchwyt z przodu, jak i z tyłu był czysty, suchy i wolny od jakichkolwiek pęknięć lub innych uszkodzeń. Jeśli podczas używania przycinarki uszkodzony uchwyt pęknie, może to spowodować poważne obrażenia ciała.

SPRAWDŹ KOMORĘ AKUMULATORA

Dopilnuj, aby była ona czysta, sucha i nie zawierała żadnych pozostałości. Resztki znajdujące się w komorze akumulatora mogą uniemożliwiać dobre połączenie elektryczne pomiędzy akumulatorem a przycinarką.

AKUMULATOR

⚠ OSTRZEŻENIE: AKUMULATOR NIE ZAWIERA ŻADNYCH CZĘŚCI SERWISOWANYCH PRZEZ UŻYTKOWNIKA. NIE NALEŻY GO ROZBIERAĆ.

Akumulatory litowo-jonowe mają określoną żywotność. Jeśli czas cięcia po każdorazowym doładowaniu zauważalnie się zmniejszy, akumulator jest blisko końca okresu przydatności i należy go wymienić.

- Dopilnuj, aby akumulator, włącznie ze stykami, był czysty, suchy i nie wykazywał żadnych oznak pęknięć, uderzeń lub innych uszkodzeń. Pęknięty akumulator może spowodować pożar lub wydzielać niebezpieczne substancje chemiczne.
- Brudne styki oczyść miękką, suchą szmatką. Brud lub olej może spowodować złe połączenie elektryczne, czego wynikiem będzie utrata mocy.

ŁADOWARKA

- Odłącz ładowarkę od gniazdka elektrycznego.
- Brudne styki oczyść miękką, suchą szmatką.

WYKRYWANIE I USUWANIE USTEREK

Korzystaj z tej tabeli w celu znalezienia możliwych rozwiązań dla ewentualnych problemów z przycinarką. Jeśli sugerowane rozwiązania nie rozwiążą problemu, zobacz rozdział „Informacje o serwisie i pomocy technicznej”.

OBJAWY	MOŻLIWA PRZYCZYNA	ZALECANE POSTĘPOWANIE
Silnik nie pracuje lub pracuje z przerwami	Rozładowany akumulator	Naładuj. Zobacz „Ładowanie akumulatora”.
	Przełącznik przy przednim uchwycie lub blokada spustu nie są włączone	Chwyć za przełącznik i pociągnij do tyłu za blokadę, zanim naciśniesz na spust przepustnicy. Zobacz „Uruchamianie przycinarki”.
	Akumulator nie został całkowicie włożony	Dociśnij akumulator do komory, dopóki nie zaskoczy na miejsce.
	Brudne styki akumulatora	Wymnij akumulator, usuń resztki z komory akumulatora, a następnie oczyść styki czystą, suchą szmatką.
	Zimny akumulator	Odczekaj, dopóki akumulator się nie nagrzej do minimalnej temperatury pracy 0°C (32°F).
Silnik pracuje, ale ostrza tnące nie poruszają się	Jakiś przedmiot przeszkadza w poruszaniu się ostrzy	Zobacz „Usuwanie zakleszczeń ostrza”.
Przycinarka nie tnie poprawnie	Nagromadzona żywica uniemożliwia poruszanie się ostrzy tnących	Zobacz „Pielęgnacja ostrzy”.
	Ostrza tnące są tępe	Oddaj ostrza do profesjonalnego naostrzenia.
Akumulator nie ładuje się	Włączona ochrona akumulatora przed zbyt wysoką/niską temperaturą	To może wystąpić wtedy, kiedy przycinarka nieustannie pracuje lub jest narażona na wysokie temperatury otoczenia. Odczekać, aż akumulator osiągnie dopuszczalną temperaturę, zanim przystąpi się do ładowania. Zobacz „Ładowanie akumulatora”.
	Brudne lub uszkodzone styki akumulatora lub ładowarki	Sprawdź styki zarówno na akumulatorze, jak i w ładowarce. Oczyść je w sposób opisany w rozdziale „Konserwacja i czyszczenie”, a następnie włóż akumulator z powrotem do ładowarki i dopilnuj, aby był dokładnie osadzony.
	Kończy się żywotność akumulatora	Wszystkie akumulatory mają ograniczony okres użytkowania. Jeśli akumulator ma więcej niż dwa lata lub często był ładowany, może to być pora na jego wymianę. Wymieniaj tylko na akumulator przeznaczony dla tej przycinarki.
	Ładowarka z usterką	Oddaj ją do sprawdzenia w autoryzowanym punkcie serwisowym.

OBJAWY	MOŻLIWA PRZYCZYNA	ZALECANE POSTĘPOWANIE
Krótki czas cięcia po każdorazowym naładowaniu akumulatora	Ostrza tnące są tępe	Oddaj ostrza do profesjonalnego naostrzenia.
	Zużyte ostrza tnące	Wymień ostrza w autoryzowanym punkcie serwisowym.
	Wygięte ostrza tnące	Wymień ostrza w autoryzowanym punkcie serwisowym.
	Niewłaściwa technika przycinania	Zastosuj się do wskazówek „Przycinanie podstawowe”.
	Większa prędkość cięcia niż to konieczne	Naciskaj słabiej na spust przepustnicy.
	Nagromadzona żywica uniemożliwia poruszanie się ostrzy tnących	Zobacz „Pielęgnacja ostrzy”.
	Akumulator nie w pełni naładowany	Zobacz „Ładowanie akumulatora”.
Miga pomarańczowe światelko na wskaźniku stanu pracy ładowarki	Zwarcie w ładowarce, nadmierny prąd ładowania, nadmierne napięcie, rozwarcie w akumulatorze lub przekroczony czas ładowania/wstępnego ładowania	<ol style="list-style-type: none"> 1. Upewnij się, że przewód ładowarki jest przyłączony zarówno do ładowarki, jak i do gniazdka elektrycznego. 2. Upewnij się, że ładowarka pracuje pod właściwym napięciem. 3. Spróbuj naładować inny akumulator przeznaczony dla tej ładowarki. Jeśli to nie rozwiąże problemu, oddaj do sprawdzenia w autoryzowanym punkcie serwisowym.

GWARANCJA I SERWIS

GWARANCJA

Blount Inc. udziela gwarancji na wszystkie zarejestrowane akumulatory i ładowarki marki OREGON® Cordless Tools na okres dwóch (2) lat od początkowej daty zakupu oraz na okres jednego (1) roku w przypadku ich użycia do celów komercyjnych. Ta ograniczona gwarancja dotyczy produktów wyprodukowanych przez OREGON® Cordless Tool System. W okresie gwarancyjnym Blount będzie wymieniać lub, według własnego uznania, naprawiać tylko dla pierwotnego nabywcy, bezpłatnie wszelkie produkty lub części, które po zbadaniu uzna za wadliwe pod względem materiałów i/lub wykonawstwa. Nabywca będzie odpowiedzialny za wszelkie opłaty transportowe oraz wszelkie koszty usunięcia jakichkolwiek części przeznaczonych do wymiany w ramach tej gwarancji.

ZACHOWAJ ORYGINAŁ RACHUNKU

Proszę przymocować do tej instrukcji i dokumentacji oryginalny rachunek z pierwszego zakupu. W celu skorzystania z serwisu gwarancyjnego proszę przynieść ze sobą produkt i rachunek do dealera, u którego produkt został kupiony. Albo proszę skontaktować się z nami, korzystając z informacji podanych w rozdziale „Działy obsługi klienta w poszczególnych krajach”.

INFORMACJE O SERWISIE I POMOCY TECHNICZNEJ

Odwiedź nas na stronie internetowej pod adresem **OregonCordless.com**, na której można znaleźć informacje dotyczące punktów serwisowych, lub skontaktuj się z naszym działem obsługi klienta w celu uzyskania pomocy, dodatkowych porad technicznych, naprawy lub części zamiennych. Właściwe dla poszczególnych krajów numery telefonów podano w rozdziale „Działy obsługi klienta w poszczególnych krajach”.

Dla bezpieczeństwa używaj tylko oryginalnych fabrycznych części zamiennych do elektronarzędzi. Nasze centrum serwisowe zatrudnia wyszkolony personel, który w sposób skuteczny zapewnia dalsze wsparcie techniczne i pomoc przy regulacji, naprawie lub wymianie wszystkich produktów marki OREGON® Cordless Tool System.

DEKLARACJA ZGODNOŚCI WE

Blount International Inc. 4909 SE International Way, Portland Oregon, 97222 USA

OŚWIADCZA NINIEJSZYM, ŻE NASTĘPUJĄCE PRODUKTY:

Akumulatorowa przycinarka do żywopłotów, model: **HT255**

**Ładowarka C600 do
akumulatorów**

SĄ ZGODNE Z NASTĘPUJĄCYMI EUROPEJSKIMI DYREKTYWAMI I NORMAMI:

DYREKTYWY WE:

DYREKTYWA 2006/42/WE
DOTYCZĄCA MASZYN

PRZEDSTAWICIEL KORPORACYJNY:

DANE KONTAKTOWE OSOBY
ODPOWIEDZIALNEJ ZA DOKUMENTACJĘ
TECHNICZNĄ DLA EUROPY:



Kevin Cyrus
Kierownik ds.
Bezpieczeństwa i Zgodności Produktów
Blount International Inc.
Portland OR 97222 USA

Pan Marnix Kuypers
Blount International-Europe-S. A.
Rue Emile Francqui, 5
B 1435 Mont-Saint-Guibert
Belgia

DATA/MIEJSCE:

10 lipca 2012, Portland OR

ÍNDICE

SÍMBOLOS E ETIQUETAS	327
REGRAS DE SEGURANÇA	328
AVISOS GERAIS PARA UTILIZAÇÃO DE FERRAMENTAS ELÉCTRICAS	328
SEGURANÇA NA ÁREA DE TRABALHO	328
SEGURANÇA ELÉCTRICA	328
SEGURANÇA PESSOAL	329
UTILIZAÇÃO E MANUTENÇÃO DE FERRAMENTAS ELÉCTRICAS	330
ASSISTÊNCIA	330
AVISOS DE SEGURANÇA PARA O PODADOR/BORDEADOR	330
CONSERVAÇÃO, TRANSPORTE E ELIMINAÇÃO	331
SEGURANÇA DA BATERIA	332
SEGURANÇA DO CARREGADOR	333
IDENTIFICAÇÃO DO PRODUTO	334
ESPECIFICAÇÕES E COMPONENTES	335
NOMES E TERMOS DO PODADOR/ BORDEADOR	336
FUNCIONAMENTO DO PODADOR/BORDEADOR	337
DESEMBALAR	337
BATERIA E CARREGADOR	337
FUNCIONAMENTO GERAL	339
CORTAR SEBES	341
MANUTENÇÃO E LIMPEZA	343
PODADOR/BORDEADOR	343
BATERIA	344
CARREGADOR	344
RESOLUÇÃO DE PROBLEMAS	345
GARANTIA E ASSISTÊNCIA	347
CE - DECLARAÇÃO DE CONFORMIDADE	348
ASSISTÊNCIA AO CLIENTE POR PAÍS	418

SÍMBOLOS E ETIQUETAS

SÍMBOLO	NOME	EXPLICAÇÃO
	CONSTRUÇÃO CLASSE II	FERRAMENTAS DE CONSTRUÇÃO DE ISOLAMENTO DUPLO
	SÍMBOLO DE ALERTA DE SEGURANÇA	INDICA QUE O TEXTO QUE SE SEGUE EXPLICA UMA SITUAÇÃO DE PERIGO, AVISO OU PRECAUÇÃO.
	LEIA AS INSTRUÇÕES	O MANUAL DE INSTRUÇÕES ORIGINAL CONTÉM INFORMAÇÃO IMPORTANTE SOBRE SEGURANÇA E FUNCIONAMENTO. LEIA COM CUIDADO AS INSTRUÇÕES E CUMPRE-AS.
	USE PROTECÇÃO OCULAR	USE SEMPRE PROTECÇÃO OCULAR QUANDO UTILIZAR O PODADOR/BORDEADOR.
	USE PROTECÇÃO PARA AS MÃOS	USE LUVAS DE PROTECÇÃO SEMPRE QUE UTILIZAR O PODADOR/BORDEADOR OU QUANDO MEXER NAS LÂMINAS.
	NÍVEL DE SOM	O NÍVEL DE SOM É DE 74 DB.
	SUPORTE COM AS DUAS MÃOS	SEGURE NO PODADOR/BORDEADOR COM AS DUAS MÃOS.
	SUPORTE COM UMA MÃO	NÃO PEGUE NO PODADOR/BORDEADOR COM APENAS UMA MÃO.
	NÃO INCINERE	NÃO ELIMINE NO FOGO.
	NÃO ELIMINE	NÃO DEITE FORA COM O LIXO DOMÉSTICO. LEVE A UM AGENTE DE RECICLAGEM QUALIFICADO.
	NÃO EXPONHA À CHUVA	NÃO PONHA O CARREGADOR A TRABALHAR COM HUMIDADE.
	APENAS PARA USO INTERNO	APENAS DESTINADO A USO INTERNO.
	INSPECIONE A ALIMENTAÇÃO ELÉCTRICA	VERIFIQUE REGULARMENTE SE A ALIMENTAÇÃO ELÉCTRICA DO CARREGADOR É A CORRECTA E SE O CABO ESTÁ DANIFICADO.
	TEMPERATURA DE FUNCIONAMENTO	USE APENAS A BATERIA A UMA TEMPERATURA ENTRE 0 °C E 40 °C (32 °F E 104 °F).
	FERRAMENTA DE CORTE	FERRAMENTA DE CORTE. NÃO TOQUE NAS LÂMINAS SEM PRIMEIRO DESLIGAR O PODADOR/BORDEADOR, RETIRANDO A BATERIA.

INTRODUÇÃO

Este podador/bordeador foi concebido para a manutenção e poda regulares. Não foi concebido para cortar ramos com diâmetro superior a 19 mm (3/4 pol). Outro tipo de utilização pode provocar lesões e não é permitido.

REGRAS DE SEGURANÇA

AVISOS GERAIS PARA UTILIZAÇÃO DE FERRAMENTAS ELÉCTRICAS

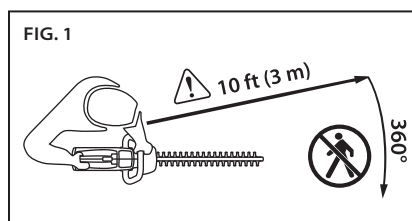
⚠ AVISO: LEIA E COMPREENDA TODOS OS AVISOS E ILUSTRAÇÕES DE SEGURANÇA. O INCUMPRIMENTO DESTAS INSTRUÇÕES E AVISOS PODE CAUSAR CHOQUE ELÉCTRICO, INCÊNDIO E/OU LESÕES GRAVES.



GUARDE TODOS OS AVISOS E INSTRUÇÕES PARA REFERÊNCIA FUTURA. O TERMO "FERRAMENTA ELÉCTRICA" NOS AVISOS REFERE-SE À SUA FERRAMENTA ELÉCTRICA (COM FIO OU CABO ELÉCTRICO) OU À BATERIA (SEM FIOS).

SEGURANÇA NA ÁREA DE TRABALHO

- Mantenha a área limpa e bem iluminada. *Áreas escuras ou mal iluminadas convidam a acidentes.*
- Não trabalhe com ferramentas eléctricas em atmosferas passíveis de explosão, como na presença de líquidos inflamáveis, gases ou poeiras. *As ferramentas eléctricas fazem faísca e estas podem acender poeiras ou provocar fumos.*
- Mantenha as crianças e eventuais espectadores afastados enquanto estiver a trabalhar com a ferramenta eléctrica (Fig. 1). *A mínima distração pode fazê-lo perder o controlo da máquina.*



⚠ PRECAUÇÃO: DEMARQUE UMA ZONA DE SEGURANÇA PARA ESPECTADORES DE 3 M (10 PÉS) ANTES DE UTILIZAR O EQUIPAMENTO. *A zona de segurança para espectadores consiste num círculo com 3 m (10 pés) à volta do operador no qual não devem entrar espectadores, crianças e animais.*

SEGURANÇA ELÉCTRICA

- As fichas eléctricas do aparelho devem ser conforme as tomadas eléctricas. Nunca modifique a ficha eléctrica seja de que modo for. Não use adaptador de fichas eléctricas em ferramentas eléctricas com ligação de terra. *As fichas eléctricas originais e tomadas respectivas reduzirão o risco de choque eléctrico.*
- Evite o contacto do corpo com superfícies com ligação de terra, como tubos, radiadores e frigoríficos. *O risco de choque eléctrico aumenta se o seu corpo estiver junto a uma ligação de terra.*
- Não exponha o cabo eléctrico à chuva ou à humidade. *Se entrar água na ferramenta eléctrica aumenta o risco de choque eléctrico.*
- Não estique demasiado o cabo eléctrico. Nunca use o cabo eléctrico para carregar, transportar, puxar ou desligar a ferramenta eléctrica. Mantenha o cabo eléctrico longe do calor, óleos, superfícies cortantes ou em movimento. *Os cabos eléctricos estragados ou torcidos aumentam o risco de choque eléctrico.*
- Quando trabalhar com uma ferramenta eléctrica no exterior, use uma extensão eléctrica própria para uso no exterior. *O uso de um cabo eléctrico adequado para uso no exterior diminui o risco de choque eléctrico.*

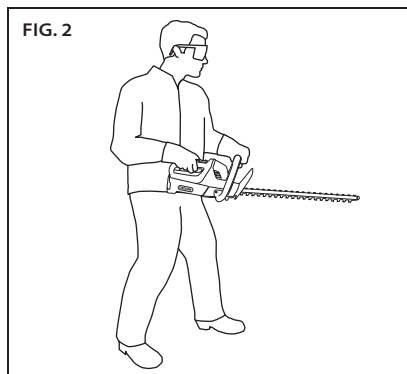
- Se for inevitável pôr a ferramenta eléctrica a trabalhar num sítio húmido, use um dispositivo de corrente residual (DCR) protegido ou um interruptor de circuito de falha de ligação à terra (GFCI). O uso de um DCR (GFCI) diminui o risco de choque eléctrico.
- Retire a ficha eléctrica da tomada imediatamente se o cabo eléctrico estiver danificado ou cortado.

SEGURANÇA PESSOAL



- Fique alerta, observe o que está a fazer e use de bom senso sempre que tiver nas mãos uma ferramenta eléctrica. Não a use se estiver cansado ou sob a influência de drogas, álcool ou fármacos. Um momento de distração pode causar lesões pessoais muito graves.
- Use equipamento de protecção individual (EPI). Use sempre protecção ocular. Os equipamentos de protecção individual, como máscaras respiratórias, calçado de segurança, capacete, auriculares e outros, diminuirão o risco de lesões.
- Evite arrançar com a máquina inadvertidamente. Veja se o interruptor estão desligado (OFF) antes de ligar a máquina à alimentação eléctrica e/ou bateria, levá-la ou transportá-la. Levar ferramentas eléctricas com o dedo no interruptor ou ficar de repente com o botão ligado (ON) são convites a acidentes por vezes graves.
- Retire qualquer chave de ajuste ou outra antes de ligar a ferramenta eléctrica. Uma chave de qualquer tipo deixada metida numa peça giratória da ferramenta eléctrica pode provocar lesões pessoais graves.

- Não se estique demasiado. Mantenha-se sempre bem seguro de pé e equilibrado (Fig. 2). Controlará assim melhor a ferramenta eléctrica se surgir uma situação qualquer inesperada.



- Use vestuário adequado. Não use roupa solta nem jóias. Mantenha o cabelo, roupa e luvas longe de peças em movimento. Roupas soltas, jóias ou cabelo comprido podem ficar presos nas peças em movimento.
- Se o aparelho tiver extracções e recolha de poeiras, verifique se estão bem ligados e se são os mais adequados. Use um colector de poeiras para reduzir perigos inerentes.
- O uso prolongado de uma ferramenta eléctrica pode causar distúrbios vasculares, musculares ou neurológicos (como vibrações chamadas de "dedo branco" ou "dedo morto" ou a síndrome de Raynaud). Para diminuir o risco de lesões, siga estas instruções:
 - Use luvas e mantenha as mãos e o corpo quentes.
 - Segure com firmeza no podador/bordeador, mas não exerça pressão prolongada nem excessiva.
 - Inspire e expire com frequência.

A vibração no uso normal da ferramenta pode diferir dos valores indicados, consoante o material que se está a cortar, a manutenção do sistema de corte e outros factores.

UTILIZAÇÃO E MANUTENÇÃO DE FERRAMENTAS ELÉCTRICAS

- Não force a ferramenta eléctrica. Use a ferramenta eléctrica certa para o trabalho certo. *A ferramenta certa fará um trabalho melhor e mais seguro à taxa de funcionamento para que foi concebida.*
- Não use a ferramenta eléctrica se o interruptor não ligar nem desligar (ON/OFF). *Qualquer ferramenta eléctrica que não pode ser controlada pelo interruptor torna-se perigosa e deve ser reparada.*
- Desligue a ficha eléctrica da tomada e/ou a bateria antes de proceder a ajustes, mudar de acessórios ou guardar ferramentas. *Essas medidas de segurança preventiva diminuem o risco de, por acaso e sem querer, arrancar com a máquina.*



- Caso não vá utilizar a ferramenta, guarde-a fora do alcance das crianças e não deixe que pessoas que não sabem trabalhar com ela ou que desconheçam estas instruções lhe peguem. *As ferramentas eléctricas são perigosas nas mãos de pessoas que não sabem trabalhar com elas.*
- Manutenção de ferramentas eléctricas. Verifique o desalinhamento ou a ligação de peças móveis, se há rupturas ou quaisquer outras situações que possam afectar o seu funcionamento. Se alguma peça estiver danificada, mande reparar a máquina antes de usá-la novamente. *Muitos acidentes são provocados por uma má manutenção.*
- Mantenha as ferramentas de corte sempre afiadas e limpas. *As ferramentas de corte convenientemente mantidas com lâminas de corte afiadas têm menos probabilidade de dobrar e são mais fáceis de controlar.*
- Use a ferramenta eléctrica, acessórios e outras peças de acordo com estas instruções, tendo em conta as condições de trabalho e o trabalho a ser feito. *O uso da ferramenta eléctrica para outras operações que não sejam as destinadas originalmente podem causar situações de perigo graves.*

ASSISTÊNCIA

Providencie a assistência técnica à ferramenta técnica num técnico especializado e substitua apenas por peças idênticas de origem. Garantirá assim a sua segurança e a do equipamento.

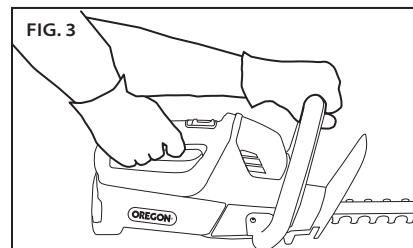
AVISOS DE SEGURANÇA PARA O PODADOR/BORDEADOR



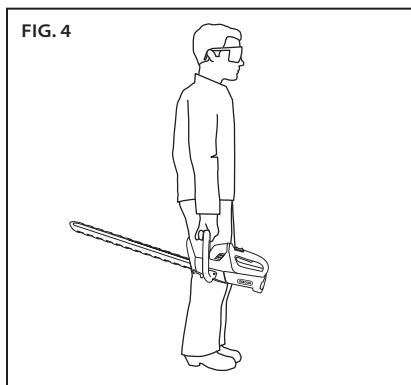
⚠ PERIGO: MANTENHA AS MÃOS AFASTADAS DA LÂMINA. O CONTACTO COM A LÂMINA PODE PROVOCAR LESÕES PESSOAIS GRAVES.

⚠ AVISO: USE APENAS COM O PUNHO E A PROTECÇÃO DO PODADOR/BORDEADOR CORRECTAMENTE MONTADOS. O USO DO PODADOR/BORDEADOR SEM A PROTECÇÃO CORRECTA OU O PUNHO FORNECIDO PODE PROVOCAR LESÕES GRAVES.

- Use as duas mãos sempre que utilizar o podador/bordeador. Utilizar apenas uma mão pode fazer com que perca o controlo da máquina e originar lesões pessoais graves (Fig. 3).



- Todas as partes do corpo devem estar afastadas da lâmina de corte. Não retire material cortado nem segure o material que irá ser cortado com as lâminas em movimento. Verifique se o botão está desligado se ocorrer encravamento do material. As lâminas recolhem quando desligadas. Um momento de distração ao utilizar o aparelho pode resultar em lesões pessoais graves.
- Pegue sempre no podador/bordeador pelo punho com a lâmina parada (Fig. 4). Quando transportar ou guardar o podador/bordeador, coloque sempre a capa do dispositivo de corte. O manuseamento correcto do podador/bordeador diminuirá a possibilidade de ocorrerem lesões provocadas pelas lâminas de corte.



- Pegue na ferramenta eléctrica apenas pelas superfícies isoladas, pois a lâmina de corte pode tocar em fios ocultos ou no próprio cabo. Se a lâmina de corte tocar num fio "com corrente" pode fazer com que as peças metálicas expostas da ferramenta eléctrica ganhem "corrente" e provoquem choque eléctrico ao operador.
- O podador/bordeador não possui peças substituíveis pelo utilizador. A substituição, manutenção e reparação da lâmina requerem formação especializada. Para mais informações consultar "Informação sobre assistência e manutenção".

CONSERVAÇÃO, TRANSPORTE E ELIMINAÇÃO

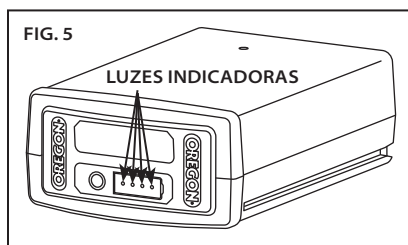
CONSERVAÇÃO DO PODADOR/BORDEADOR

- Aplique lubrificante nas lâminas de corte. Para mais informações consultar "Manutenção e limpeza".
- Retire a bateria do podador/bordeador.
- Limpe-o cuidadosamente.
- Coloque a capa da lâmina.
- Guarde em sítio seco.
- Manter afastado das crianças ou de animais.

CONSERVAÇÃO DA BATERIA.

Se for guardar a bateria por um período superior a nove meses, siga estas instruções:

- Retire a bateria do podador/bordeador ou do carregador.
- Guarde em sítio seco.
- Manter afastado das crianças ou de animais.
- Para prolongar a vida útil da bateria, nunca a guarde completamente descarregada. (Fig. 5).



- Conservar a uma temperatura entre -20 °C e 30 °C (-4 °F e 86 °F).



CONSERVAÇÃO DO CARREGADOR

- Retire a bateria do carregador.
- Desligue-o da alimentação eléctrica.
- Guarde em sítio seco.
- Manter afastado das crianças ou de animais.

Para mais informações consultar "Manutenção e limpeza".

**TRANSPORTE DO PODADOR/
BORDEADOR**

Prepare o podador/bordeador conforme descrito em "Conservação do podador/bordeador" antes de o transportar.

TRANSPORTE DA BATERIA

Cumpra as regras nacionais sempre que transportar baterias de íons de lítio, utilizando os rótulos exigidos por lei.

**ELIMINAÇÃO DO PODADOR/
BORDEADOR E DO CARREGADOR**

O equipamento OREGON® é desenhado e fabricado com materiais e peças de elevada qualidade que podem ser recicladas e reutilizadas. Quando o equipamento atingir o fim da sua vida útil, e em conformidade com a Directiva 2002/95/CE, deve ser destruído separadamente do lixo doméstico. Estão previstos na União Europeia centros de recolha individuais para produtos eléctricos e electrónicos. Destrua este equipamento de forma ambientalmente correcta num centro de recolha de resíduos e reciclagem na sua comunidade local.

ELIMINAÇÃO DA BATERIA

Não destrua a bateria juntamente com o lixo doméstico normal. Não incinere a bateria. As agências de gestão de resíduos locais e reciclagem possuem informação sobre a eliminação de resíduos correcta, em conformidade com as regras ambientais em vigor.

**SEGURANÇA DA BATERIA**

⚠ PERIGO: O INCUMPRIMENTO DESTAS REGRAS DE SEGURANÇA PODE CAUSAR FUGAS NA BATERIA DE PRODUTOS QUÍMICOS PERIGOSOS, SOBREAQUECIMENTO, FUMOS, EXPLOSÃO, CHAMA E/OU IGNIÇÃO.

⚠ PRECAUÇÃO: NÃO DEITE FORA A BATERIA JUNTAMENTE COM O LIXO DOMÉSTICO. A BATERIA DE ÍON-LÍTIO DEVE SER REICLADA APENAS NUM AGENTE DE RECICLAGEM LOCAL AUTORIZADO.

⚠ PRECAUÇÃO: NÃO EXPONHA A BATERIA A CALOR EXCESSIVO, COMO POR EXEMPLO DENTRO DE UM VEÍCULO AO SOL QUENTE. ESSA EXPOSIÇÃO PODE COMPROMETER O SEU DESEMPENHO E/OU A SUA VIDA ÚTIL. NÃO TENHA TENTADO RECARREGAR UMA BATERIA NÃO RECARREGÁVEL.

- Não desmonte nem modifique a bateria. Isso pode comprometer a sua segurança.
- Não ligue os terminais positivo (+) e negativo (-) a objectos metálicos nem guarde a bateria com objectos metálicos, como moedas ou parafusos. Pode provocar curto-circuito e gerar calor suficiente para provocar queimaduras.
- Não incinere a bateria nem a exponha a demasiado calor. Pode derreter o isolamento ou comprometer a sua segurança.
- Não use, carregue ou guarde a temperaturas superiores a 80 °C (176 °F). Pode causar sobreaquecimento e curto-circuito interno.
- Não exponha a humidade excessiva. Pode comprometer a sua segurança, originar correntes muito elevadas e cargas exageradas de tensão e levar a reacções químicas anormais.

- Use o carregador especificamente para esta bateria e siga sempre os avisos de segurança descritos em "Segurança do carregador". Se usar outro carregador pode comprometer a sua segurança, originar correntes muito elevadas e cargas exageradas de tensão e levar a reacções químicas anormais.
- Não use baterias de marca OREGON® em ferramentas que não sejam de marca OREGON®.
- Não dê pancadas, fure ou projecte a bateria e não use se estiver danificada ou deformada.
- Se não conseguir recarregar, não tente fazê-lo. Se a bateria começar a emitir cheiro, a gerar calor ou se verificar descoloração, deformação ou quaisquer sinais de anormalidade durante a utilização, recarga ou conservação, retire-a imediatamente do podador/ bordeador ou do carregador.
- Todo o tipo de fugas de líquido da bateria é corrosivo, pode lesionar os olhos e a pele e pode ser tóxico quando engolido.

SEGURANÇA DO CARREGADOR

INSTRUÇÕES IMPORTANTES DE SEGURANÇA

⚠ PRECAUÇÃO: ESTE APARELHO NÃO SE DESTINA A SER USADO POR PESSOAS (INCLUINDO CRIANÇAS) COM CAPACIDADES FÍSICAS, SENSORIAIS OU MENTAIS REDUZIDAS OU FALTA DE CONHECIMENTO DO MATERIAL, A MENOS QUE ESTEJAM SOB A VIGILÂNCIA DE ALGUÉM OU INSTRUÍDOS POR ALGUÉM RESPONSÁVEL PELA SUA SEGURANÇA. ESTE APARELHO NÃO É UM BRINQUEDO E AS CRIANÇAS DEVEM SER SEMPRE VIGIADAS E NÃO BRINCAR COM ELE.

⚠ AVISO: RISCO DE CHOQUE ELÉCTRICO. QUANDO UTILIZADO NO EXTERIOR, INSTALE APENAS NUM RECEPTÁCULO COBERTO COM PROTECÇÃO GFCI CLASSE A, IMPERMEÁVEL, COM A UNIDADE MOTRIZ LIGADA AO RECEPTÁCULO. SE NÃO EXISTIR, CONTACTE UM ELECTRICISTA QUALIFICADO PARA A INSTALAR. ASSEGURE-SE DE QUE A UNIDADE MOTRIZ E O CABO ELÉCTRICO NÃO INTERFEREM COM O ENCERRAMENTO TOTAL DO RECEPTÁCULO.

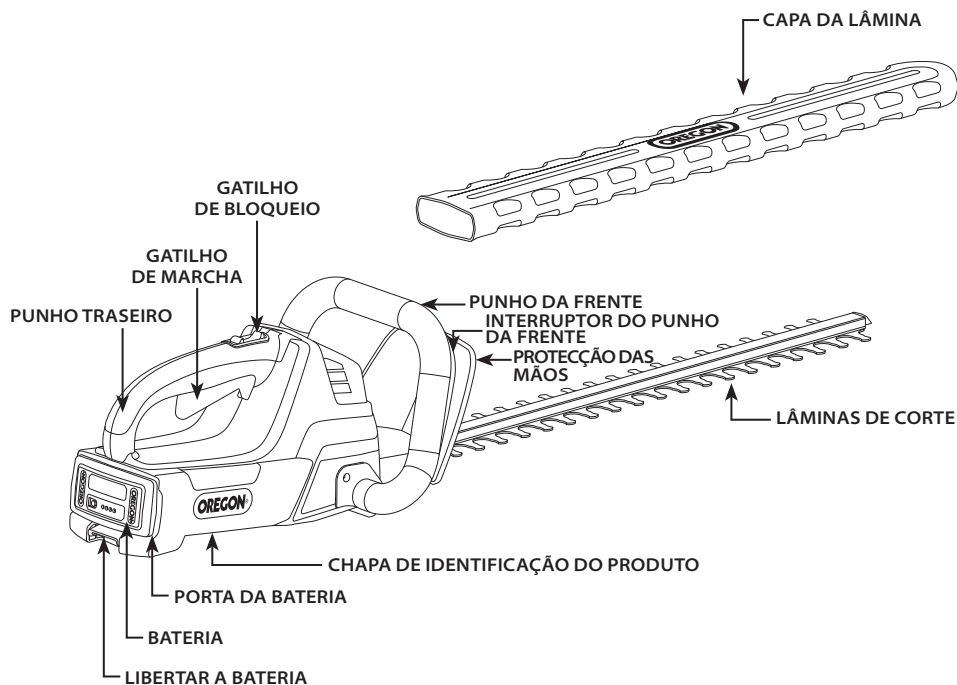
⚠ PRECAUÇÃO: USE ESTE CARREGADOR APENAS COM O CABO ELÉCTRICO FORNECIDO, CERTIFICANDO-SE DE QUE A FICHA E A TOMADA ELÉCTRICA SÃO COMPATÍVEIS COM A SAÍDA DO RECEPTÁCULO.

Sempre que usar equipamentos eléctricos, deve tomar algumas precauções básicas, incluindo as seguintes:

- **Leia e cumpra todas as instruções de segurança antes de usar o aparelho.**
Leia e cumpra todas as instruções que acompanham o produto ou fornecidas com o produto.
- **Guarde estas instruções.**
- **Não use uma extensão eléctrica.**
- **Não estique demasiado o cabo eléctrico.** Nunca use o cabo eléctrico para carregar, transportar, puxar ou desligar a ferramenta eléctrica. Mantenha o cabo eléctrico longe do calor, óleos, superfícies cortantes ou em movimento. *Os cabos eléctricos estragados ou torcidos aumentam o risco de choque eléctrico.*
- **Não exponha o carregador à chuva.**
Apenas para uso interior.
- **Não use a uma distância de 3 m (10 pés) de uma piscina.**
- **Não use numa casa de banho.**

IDENTIFICAÇÃO DO PRODUTO

CONHEÇA O SEU PODADOR/BORDEADOR



NOTA: Consulte "Desembalar" para ver os itens incluídos.

ESPECIFICAÇÕES E COMPONENTES

SUBSTITUIÇÃO DE COMPONENTES		REFERÊNCIA DA PEÇA
BATERIA, MODELO B400E		548206
CARREGADOR COM CABO, MODELO C600		EU - 554933 UK - 554872 AU/NZ - 560663
CARREGADOR COM CABO, MODELO C750		EU - 558697 UK - 558698 AU/NZ - 558699
CARREGADOR, MODELO C600		
ENTRADA	100-240 V~ 50-60 HZ 60 W	
SAÍDA	41,5 V _{DC} 1,25 A	
CABO ELÉCTRICO	EU - 547383 UK - 547384 AU/NZ - 559380	
BATERIA, MODELO B400E		
PESO	1,23 kg (2,72 lb)	
TIPO	ÍON-LÍTIO	
TENSÃO, NOMINAL	+37 V CC	
TEMPERATURAS DE FUNCIONAMENTO	0 °C A 40 °C (32 °F A 104 °F)	
CAPACIDADE, NOMINAL	2,4 Ah / 89 Wh	
TEMPO DE CARGA (APROX.)	120 MINUTOS	
PODADOR/BORDEADOR		
COMPRIMENTO DA LÂMINA	600 mm (24 pol.)	
TIPO DE LÂMINA	DUPLA RECIPROCIDADE	
VELOCIDADE MÁXIMA DA LÂMINA DE CORTE	2750 BATIDAS POR MINUTO	
DIÂMETRO MÁXIMO DE CORTE	ATÉ 19 mm (3/4 pol.)	
PESO COM B400E	4,4 kg (9.8 libras)	
NÍVEL DE RUÍDO	74 dB L _{WA} (K, 0,18 dB)	
VIBRAÇÃO	1,16 m/s ² (K, 0,26 m/s ²)	

NOMES E TERMOS DO PODADOR/ BORDEADOR

Obstrução das lâminas: Quando as lâminas de corte não mexem devido ao material que se alojou entre as peças motrizes e fixas das lâminas de corte.

Zona de segurança de espectadores: Um círculo com cerca de 3 m (10 pés) à volta do operador que não deve permitir a permanência de espectadores, crianças e animais.

Lâminas de corte: O conjunto de peças afiadas salientes pela frente do podador/bordeador que se movem para trás e para a frente para cortar as sebes.

Época de corte: A altura ideal para cortar sebes varia de acordo com o tipo de planta, mas é geralmente conveniente podar nos períodos de crescimento lento, depois de a floração ter terminado. Consulte um horto local e aconselhe-se sobre as plantas que devem ser podadas.

Velocidade de corte: O podador/bordeador tem uma velocidade de corte variável. Pressione o gatilho com firmeza para uma maior velocidade de corte. Para obter os melhores resultados de corte em cada carga, use só a velocidade mínima necessária para cortar.

Punho da frente: O punho de suporte situado na parte dianteira do podador/bordeador.

Interruptor do punho da frente: Um interruptor em forma de "U" no punho da frente que evita o funcionamento accidental do gatilho de marcha até ser activado manualmente.

Protecção das mãos: Uma barreira estrutural entre o punho da frente de um podador/bordeador e as lâminas de corte.

Novo crescimento: O crescimento mais recente da planta. Geralmente tem uma cor mais clara, o caule é mais macio e mais flexível do que o resto da planta.

Punho traseiro: O punho de apoio, situado na parte traseira ou na direcção desta no podador/bordeador, onde se situa o gatilho de marcha.

Gatilho de marcha: Dispositivo que controla a velocidade das lâminas de corte.

Gatilho de bloqueio: Paragem móvel que evita o arranque involuntário do podador/bordeador até ser manualmente activado.

FUNCIONAMENTO DO PODADOR/ BORDEADOR

DESEMBALAR

O QUE ESTÁ DENTRO DA CAIXA?

O podador/bordeador vem de fábrica completamente montado. São estes os itens que o acompanham:

- Podador/bordeador
- Capa da lâmina
- Manual de instruções
- Carregador e cabo eléctrico (se assim equipado)
- Bateria (se assim equipado)

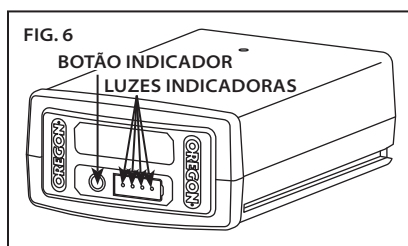
Depois de retirar o podador/bordeador da caixa, inspeccione-o com atenção para se certificar de que não ocorreram danos durante o transporte e de que não existem peças em falta. Se existirem peças em falta ou danificadas, não use o podador/bordeador. Contacte a OREGON® Cordless Tool System para obter peças de substituição. Para consultar os números por países, consulte "Assistência ao cliente por país".

BATERIA E CARREGADOR

⚠ AVISO: NÃO CARREGUE A BATERIA À CHUVA.

LED INDICADORA DE CARGA DA BATERIA

A bateria de íon-lítio vem equipada com uma LED indicadora de nível de carga. Para verificar o nível da bateria prima o botão indicador na parte da frente (Fig. 6).



Sem luz: recarregar.

Uma luz verde fixa:
menos de 25% da carga.
Ponha a bateria a carregar antes de usar.

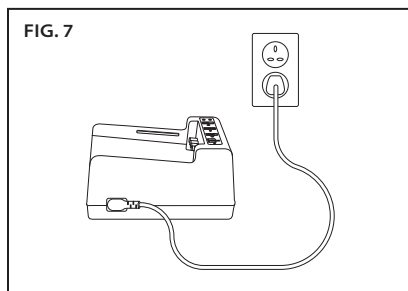
Duas luzes verdes fixas:
26-50% da carga.

Três luzes verdes fixas:
51-75% da carga.

Quatro luzes verdes fixas:
76-100% da carga.

LIGAR O CARREGADOR

Ligue o cabo eléctrico ao carregador e à tomada eléctrica adequada (Fig. 7).



Use somente o cabo eléctrico que acompanhou o carregador. Na primeira utilização, verifique se o tipo de ficha eléctrica é adequada para a tomada.

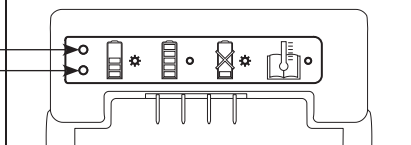
LED INDICADORA DE CARGA DO CARREGADOR

O carregador da bateria está equipado com uma LED indicadora que indica o nível de carga e as condições que podem atrasar ou mesmo impedir a carga (Fig. 8).

Nota: As luzes só surgirão depois de meter a bateria.

- Luz laranja a cintilar: existe falha. Há varias causas possíveis. Consulte "Resolução de problemas" neste manual.
- Luz laranja fixa: a temperatura da bateria está para além do nível aceitável (0 °C/32 °F a 40 °C/104 °F). Deixe a bateria chegar à temperatura aceitável antes de pôr a carregar. Pode deixar a bateria no carregador para a temperatura se ajustar. A bateria começa a carregar quando se alcançar a temperatura certa.

FIG. 8



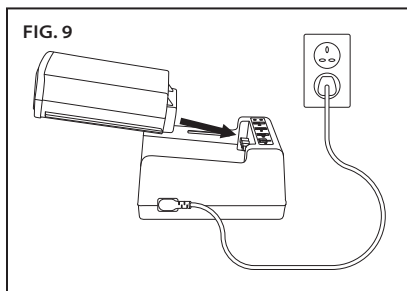
— Luz verde a cintilar: bateria a carregar.

— Luz verde fixa: a bateria ESTÁ PRONTA A USAR.

CARREGAR A BATERIA

⚠ AVISO: SE NÃO SEGUIR OS PROCEDIMENTOS DE CARGA CORRECTAMENTE, PODE ORIGINAR TENSÃO EXCESSIVA, FLUXO DE CORRENTE EXCESSIVO, PERDA DE CONTROLO DURANTE A CARGA, FUGA DE PRODUTOS QUÍMICOS NOCIVOS, GERAÇÃO DE CALOR, REBENTAMENTO OU INCÊNDIO.

Com o cabo do carregador ligado ao carregador e à tomada eléctrica, alinhe as ranhuras da bateria nos carris do carregador e deslize-a para o carregador até ficar totalmente assente. (Fig. 9).

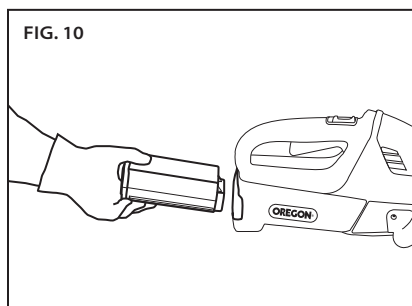


Verifique o indicador de nível de carga.

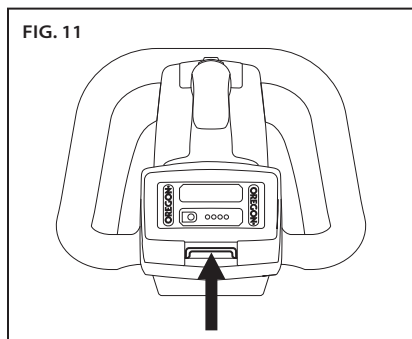
INTRODUZIR E SOLTAR A BATERIA

Use só baterias da marca OREGON® indicadas nas instruções de funcionamento.

Alinhe a ranhura na bateria com os carris dentro da respectiva porta. Introduza com firmeza a bateria na porta respectiva do podador/bordeador, premindo para diante até ouvir um clique (Fig. 10).



Para retirar a bateria, levante-a, solte-a e puxe-a para fora (Fig. 11).



FUNCIONAMENTO GERAL



⚠ AVISO: USE SEMPRE LUVAS DE PROTECÇÃO E PROTECÇÃO OCULAR.

TEMPERATURA DE FUNCIONAMENTO

Este podador/bordeador foi concebido para funcionar com temperaturas entre os 0 °C e os 40 °C (32 °F e 104 °F).

ALÇA

Pegue sempre na ferramenta com as duas mãos. Para trabalhar do lado direito, coloque o podador/bordeador numa superfície dura e plana, pegue no punho da frente com a mão esquerda e o punho traseiro com a mão direita. Coloque os dedos por cima do topo do punho da frente, com o polegar em baixo (Fig. 12).



Para trabalhar do lado esquerdo, pegue no punho da frente com a mão direita e o punho traseiro com a mão esquerda (Fig. 13).



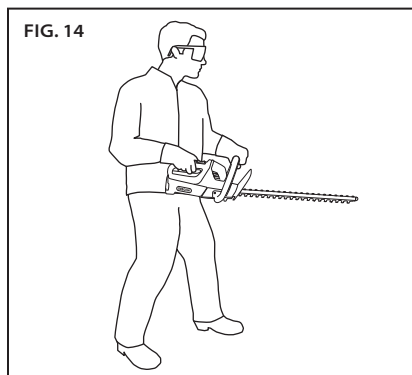
POSTURA

Coloque os dois pés em solo firme e distribua o peso uniformemente entre eles.

Não se estique nem suba a uma escada, banco e nem se coloque noutra posição forçada que não seja completamente segura.



Segure no podador/bordeador o mais perto possível do corpo para manter o controlo da máquina (Fig. 14).

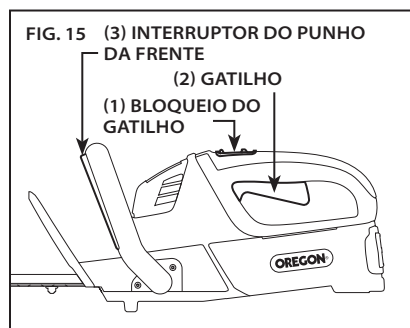


PARAR O PODADOR/BORDEADOR

Solte o gatilho de marcha para parar o podador/bordeador.

ARRANCAR O PODADOR/ BORDEADOR

Pegue com firmeza em ambos os punhos. Com o polegar puxe o gatilho de bloqueio (1) para trás (Fig. 15). Prima o gatilho de marcha (2) até que as lâminas de corte se movimentem à velocidade desejada. O interruptor no punho da frente (3) é um dispositivo de segurança; o podador/bordeador não arranca até ser activado.



CONTROLO DA VELOCIDADE DA LÂMINA DE CORTE

O gatilho de marcha controla a velocidade a que oscilam as lâminas de corte. Pressione o gatilho de marcha com firmeza para uma maior velocidade de corte.

Use a pressão mais baixa possível para cortar o material. Isso ajuda a maximizar o tempo de corte por carga de bateria e reduz o número de cargas necessárias.

CORTAR SEBES

QUANDO CORTAR

A altura ideal para cortar sebes varia de acordo com o tipo de planta, mas é geralmente conveniente podar nos períodos de crescimento lento, depois de a floração ter terminado. Consulte um horto local e aconselhe-se sobre as plantas que devem ser podadas.

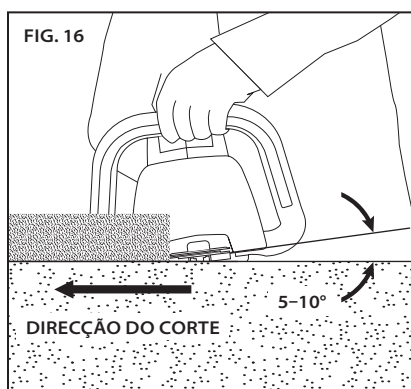
Cumpra todas as regras e regulamentos nacionais e municipais em vigor para o corte de sebes.

CORTE BÁSICO

⚠ AVISO: SEGRE SEMPRE FIRMEMENTE NO PODADOR/BORDEADOR E EM SITUAÇÃO DE EQUILÍBRIO, COM AMBAS AS MÃOS QUANDO O MOTOR ESTIVER A TRABALHAR.

Verifique se não existem objectos estranhos na sebe antes de começar a cortar para não danificar as lâminas. Retire todos os objectos que possam impedir o corte.

Adopte a postura correcta, segure bem no podador e ponha-o a trabalhar. Segure no podador/bordeador com as lâminas de corte num ângulo de 5-10° em direcção ao corte (Fig. 16).



IMPORTANTE: POR VEZES AS LÂMINAS FICAM OBSTRUÍDAS E DEIXAM DE SE MOVIMENTAR DEVIDO A RESÍDUOS QUE SE ACUMULAM NAS LÂMINAS OU PORQUE TOCAM EM ARAME OU NUMA CORRENTE DA SEBE. CONSULTE "CORRIGIR OBSTRUÇÃO DAS LÂMINAS" PARA SABER COMO PROCEDER.

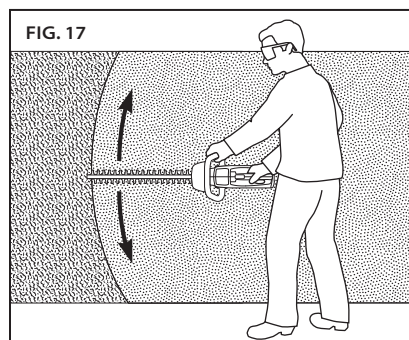
SEQUÊNCIA DE CORTE

Se a sebe estiver bem orientada, pode primeiro os rebentos até a sebe ter a forma desejada.

Quando tiver retirado os ramos maiores, use o podador para podar os lados da sebe até ao comprimento que desejar. Pode a parte superior da sebe em último lugar, depois de ter cortado os lados.

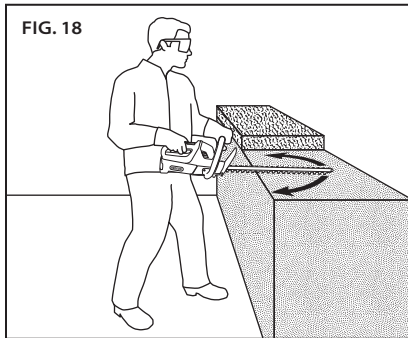
CORTE NA VERTICAL

Quando cortar os lados da sebe, comece pela parte inferior. Segure no podador/bordeador com as lâminas num ângulo de 5-10° em direcção ao corte. Faça um movimento descendente, oscilando o podador/bordeador lentamente para cima e para baixo num arco amplo (Fig. 17).



CORTE NA HORIZONTAL

Quando cortar a parte superior da sebe, comece pela parte mais próxima. Segure no podador/bordeador com as lâminas num ângulo de 5-10° em direcção ao corte. Faça um movimento descendente, oscilando o podador/bordeador lentamente da esquerda para a direita num arco amplo (Fig. 18).



Se a parte superior da sebe for demasiado larga para cortar de uma só vez, não se dobre sobre ela para podar o restante. Em vez disso, dê um passo abaixo da sebe e depois corte o resto do outro lado.

CORRIGIR A OBSTRUÇÃO DAS LÂMINAS

⚠ PRECAUÇÃO: RETIRE SEMPRE A BATERIA ANTES DE LIMPAR AS LÂMINAS DE CORTE PARA EVITAR O ARRANQUE ACIDENTAL DAS LÂMINAS.

⚠ PRECAUÇÃO: AS LÂMINAS DE CORTE SÃO MUITO AFIADAS. USE SEMPRE LUVAS QUANDO RETIRAR RESÍDUOS DAS LÂMINAS.

Por vezes, os ramos mais flexíveis, ainda verdes e emaranhados, podem ficar presos entre as peças motrizes das lâminas de corte e da peça fixa. Quando isso sucede, as lâminas podem deixar de trabalhar de repente. Tal pode também acontecer se as lâminas de corte entrarem em contacto com material muito duro, como uma sebe de correntes. Esta situação é chamada obstrução da lâmina.

Siga estas directrizes para limpar o material em segurança e eficazmente.

- Use luvas.
- Retire a bateria do podador/bordeador. Consulte "Retirar a bateria".
- Retire o material que está a impedir as lâminas de se movimentarem.

MANUTENÇÃO E LIMPEZA

PODADOR/BORDEADOR

⚠ AVISO: INSPECIONE O PODADOR/BORDEADOR. UMA INSPECÇÃO FEITA REGULARMENTE É O PRIMEIRO PASSO PARA UMA MANUTENÇÃO CORRECTA. SIGA AS DIRECTRIZES ABAIXO PARA MAXIMIZAR A SEGURANÇA E A SATISFAÇÃO. SUBSTITUA IMEDIATAMENTE QUAISQUER PEÇAS DANIFICADAS OU DEMASIADO GASTAS. SE NÃO CONSEGUIR VER QUAIS AS PEÇAS DANIFICADAS OU GASTAS E SUBSTITUÍ-LAS, PODE VIR A TER OU A CAUSAR LESÕES GRAVES.

⚠ AVISO: RETIRE A BATERIA DO PODADOR/BORDEADOR ANTES DE O INSPECIONAR, LIMPAR OU DE FAZER MANUTENÇÃO. UMA FERRAMENTA A BATERIA COM A BATERIA METIDA ESTÁ SEMPRE LIGADA E PODE ARRANCAR ACIDENTALMENTE.

⚠ PRECAUÇÃO: SEMPRE QUE LIMPAR O PODADOR/BORDEADOR, NÃO O MERGULHE EM ÁGUA OU EM QUALQUER OUTRO LÍQUIDO.

LIMPEZA DO PODADOR/BORDEADOR

- Limpe o pó, folhas e ramos que possam ter ficado presos no aparelho.
- Limpe as saídas de ar para que o fluxo de ar se faça correctamente e não haja sobreaquecimento.
- Limpe o cabeçote com um pano limpo humedecido com água e detergente suave.
- Nunca use detergentes abrasivos ou agressivos ou solventes.

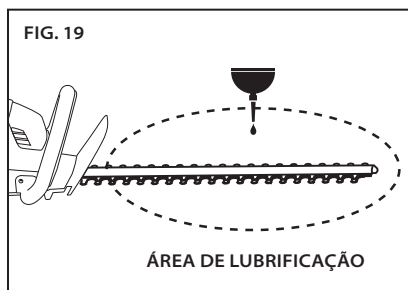
INSPECIONAR AS LÂMINAS DE CORTE

Verifique se as lâminas de corte estão afiadas, não têm reentrâncias nem extremidades rombas e não se pendure nem apoie no podador/bordeador. De vez em quando afie e corrija as reentrâncias das lâminas para que se movam livremente. Lâminas bem afiadas e com liberdade de movimentos cortam mais facilmente do que lâminas estragadas e presas.

CUIDAR DAS LÂMINAS

Quando se cortam sebes cerradas e em sítios poeirentos, a acumulação de seiva e sujidade pode por vezes fazer com que as lâminas fiquem presas. Para evitar essa situação, limpe as lâminas com uma ligeira camada de lubrificante de silicone líquido apenas na área de lubrificação das lâminas de corte (Fig. 19) e ponha a funcionar algum tempo para distribuir o lubrificante uniformemente.

IMPORTANTE: NÃO DEIXE PINGAR LUBRIFICANTE PARA O INTERIOR DO CORPO DO PODADOR/BORDEADOR. NUNCA USE SOLVENTES NEM AEROSSÓIS À BASE DE ÁGUA. NÃO LUBRIFIQUE DEMAIS.



INSPECIONE A PONTA DA PROTECÇÃO

Se houver uma protecção instalada, certifique-se de que não está dobrada nem partida. Uma ponta da protecção partida pode impedir o movimento livre das lâminas. Se a ponta estiver dobrada ou partida, mande substituir num técnico local autorizado.

INSTALAÇÃO DA CAPA DA LÂMINA

Deslize a capa da lâmina sobre as lâminas para as manter limpas e evitar que fiquem obstruídas, que cortem pessoas ou objectos.

INSPECÇÃO DOS PUNHOS

Veja se ambos os punhos estão limpos, secos e sem rachadelas ou outros danos. Pode haver lesões graves, se um dos punhos do podador partir durante o funcionamento.

INSPECÇÃO DA PORTA DA BATERIA

Veja se a porta da bateria está limpa, seca e sem rachadelas. Se a porta da bateria contiver resíduos pode haver uma ligação eléctrica defeituosa entre a bateria e o podador/bordeador.

BATERIA

⚠ AVISO: A BATERIA NÃO POSSUI PEÇAS SUBSTITUÍVEIS PELO UTILIZADOR. NÃO DESMONTE.

As baterias de íon-lítio têm uma vida de funcionamento pré-determinada. Se o período decorrido por carga diminuir significativamente, a bateria está em fim de vida e deve ser substituída.

- Verifique a bateria, incluindo os contactos, e veja se estão limpos, secos e sem sinais de furação, impacto ou outros danos. Baterias partidas ou estaladas podem causar incêndio ou emitir químicos nocivos ao homem.
- Limpe os contactos sujos com um pano seco e macio. A poeira e o óleo podem prejudicar a ligação eléctrica, resultando na perda de potência da máquina.

CARREGADOR

- Desligue o carregador da tomada eléctrica.
- Limpe os contactos sujos com um pano seco e macio.

RESOLUÇÃO DE PROBLEMAS

Use esta tabela para consultar as soluções possíveis para possíveis problemas com o seu podador/bordeador. Se estas sugestões não resolverem o problema, consulte "Assistência e informação de apoio".

SINTOMA	CAUSA POSSÍVEL	MEDIDAS RECOMENDADAS
O motor não funciona ou funciona intermitentemente.	A bateria não tem carga.	Carregue a bateria. Consulte "Carregar a bateria".
	O interruptor do punho da frente ou o gatilho de bloqueio não estão activados	Prima o interruptor do punho da frente e empurre para trás o gatilho de bloqueio antes de premir o gatilho de marcha. Consulte "Arrancar o podador/bordeador".
	A bateria não fica bem encaixada.	Empurre a bateria na respectiva porta até ouvir um clique.
	Os contactos da bateria estão sujos.	Retire a bateria, retire os resíduos da porta da bateria e depois limpe-os com um pano seco e macio.
	A bateria está fria.	Deixe a bateria aquecer à temperatura mínima de funcionamento: 0 °C (32 °F).
O motor funciona, mas as lâminas não mexem	Existe algo a impedir o movimento das lâminas	Consulte "Corrigir a obstrução das lâminas".
O podador/bordeador não está a cortar correctamente.	Há uma acumulação de resina que impede o seu movimento	Veja "Cuidar das lâminas"
	As lâminas de corte estão abotadas	Mande afiá-las por um profissional.
A bateria não carrega	Está activada a protecção de temperatura alta/baixa da bateria.	Isso pode suceder quando se trabalha com o podador/bordeador em contínuo ou se expõe a temperaturas ambiente elevadas. Deixe a bateria chegar à temperatura aceitável antes de pôr a carregar. Consulte "Carregar a bateria".
	Os contactos da bateria ou do carregador estão sujos ou danificados.	Inspeccione os contactos tanto na bateria como no carregador. Limpe conforme descrito em "Manutenção e limpeza", depois volte a introduzir no carregador e veja se está bem assente.
	A bateria está em fim de vida.	Todas as baterias têm uma vida útil limitada. Se a bateria tiver mais de dois anos ou for carregada com frequência, pode ser altura de substituí-la. Substitua apenas pela bateria especificada para este podador/bordeador.
	Falha no carregador	Inspeccione o seu funcionamento num local de assistência autorizado.

SINTOMA	CAUSA POSSÍVEL	MEDIDAS RECOMENDADAS
Tempo de corte baixo por carga de bateria.	As lâminas de corte estão abotadas	Mande afiá-las por um profissional.
	Lâminas de corte gastas	Mande substituir as lâminas num local de assistência aprovado.
	Lâminas de corte empenadas	Mande substituir as lâminas num local de assistência aprovado.
	Técnica de corte incorrecta.	Siga as instruções em "Corte básico".
	A velocidade de corte é superior à especificada.	Aplique menos pressão no gatilho de marcha.
	Há uma acumulação de resina que impede o seu movimento	Veja "Cuidar das lâminas"
	A bateria não está completamente carregada.	Consulte "Carregar a bateria".
O indicador de luz laranja a piscar indica o nível de carga	Curto-circuito no carregador, sobre corrente no carregador, limite de sobretensão, circuito aberto na aberta, erro no tempo de carga e pré-carga	<ol style="list-style-type: none"> 1. Verifique se o carregador está ligado ao carregador e à tomada eléctrica. 2. Verifique se o carregador está a receber a alimentação certa. 3. Experimente outra bateria própria para este carregador. Se o problema não ficar resolvido, verifique o funcionamento num local de assistência autorizado.

GARANTIA E ASSISTÊNCIA

GARANTIA

A Blount, Inc. presta garantia a todas as ferramentas sem fio OREGON®, baterias e carregadores por um período de dois (2) anos, a contar da data original de aquisição, e de um (1) ano se utilizada para fins comerciais. Esta garantia limitada se aplica a los productos fabricados por OREGON® Cordless Tool System. Durante o período de garantia, a Blount substituirá ou, conforme sua decisão, reparará apenas para o comprador original, a título gratuito, todos os produtos ou peças que, após análise em fábrica, se constate estarem defeituosos devido a material e/ou fabrico e mão-de-obra. O comprador será responsável por todos os custos de transporte e qualquer outro custo de remoção de peça ou peças para substituição, segundo os termos desta garantia.

GUARDAR O RECIBO DE COMPRA ORIGINAL

Junte o recibo original da compra inicial a este manual e archive. Para questões de assistência técnica, envie o produto e o recibo ao agente Blount autorizado onde foi comprado. Ou contacte-nos através da informação em "Assistência ao cliente por país".

INFORMAÇÃO DE ASSISTÊNCIA TÉCNICA E APOIO

Visite-nos em **OregonCordless.com** para obter mais informação sobre o centro de assistência técnica ou contacte o serviço de apoio ao cliente para apoio, aconselhamento técnico, reparações ou peças de substituição. Para consultar os números por países, consulte "Assistência ao cliente por país".

Por razões de segurança, use apenas peças de substituição originais de fábrica na ferramenta eléctrica. O nosso centro de assistência possui pessoal qualificado que lhe dará apoio e assistência eficientes com vista ao ajuste, reparação ou substituição de todos os produtos OREGON® Cordless Tool System.

CE - DECLARAÇÃO DE CONFORMIDADE

Blount International Inc. 4909 SE International Way, Portland Oregon, 97222 USA

DECLARA QUE O(S) SEGUINTE(S) PRODUTO(S):

Podador/bordeador alimentado a
bateria modelo(s):

HT255

Carregador de bateria C600

CUMPREM OS REQUISITOS DAS SEGUINTE(S) NORMAS E DIRECTIVAS EUROPEIAS:

DIRECTIVAS CE:

DIRECTIVA MÁQUINAS 2006/42/CE

REPRESENTANTE CORPORATIVO:

**CONTACTO DO FICHEIRO TÉCNICO
EUROPEU:**



Kevin Cyrus
Administrador – Conformidade e segurança
do produto &
Blount International Inc.
Portland OR 97222 USA

Sr. Marnix Kuypers
Blount International-Europe-S. A.
Rue Emile Francqui, 5
B 1435 Mont-Saint-Guibert
Belgium
















DATA/LOCAL:

10 de Julho de 2012, Portland OR

CUPRINS

SIMBOLURI ȘI DENUMIRI	350
REGULI DE SIGURANȚĂ	351
AVERTISMENTE GENERALE DE SIGURANȚĂ PENTRU SCULE ELECTRICE	351
SIGURANȚA SPAȚIULUI DE LUCRU	351
SIGURANȚA CIRCUITULUI ELECTRIC	351
SIGURANȚA PERSONALĂ	352
UTILIZAREA ȘI ÎNTREȚINEREA SCULELOR ELECTRICE. . .	353
UTILIZAREA ȘI ÎNTREȚINEREA SCULELOR CU ACUMULATOR	353
SERVICE	353
AVERTISMENTE DE SIGURANȚĂ PRIVIND FOARFECELE DE GRĂDINĂ	353
DEPOZITARE, TRANSPORT ȘI ELIMINARE	354
SIGURANȚA ÎNCĂRCĂTORULUI	356
IDENTIFICAREA PRODUSULUI.	357
SPECIFICAȚII ȘI COMPONENTE	358
DENUMIRI ȘI TERMENI PENTRU FOARFECELE DE GRĂDINĂ . .	359
FUNȚIONAREA FOARFECelui DE GRĂDINĂ	360
DESPACHETARE.	360
ACUMULATORUL ȘI ÎNCĂRCĂTORUL	360
REGULI GENERALE DE OPERARE	362
TUNDEREA GARDURILOR VII.	364
ÎNTREȚINERE ȘI CURĂȚARE	366
FOARFECE DE GRĂDINĂ.	366
ACUMULATORUL	367
ÎNCĂRCĂTORUL	367
PROBLEME FRECVENTE ȘI REZOLVAREA LOR	368
GARANȚIE ȘI SERVICE	370
CE - DECLARAȚIE DE CONFORMITATE	371
SERVICII CLIENȚI ÎN FUNCȚIE DE ȚARĂ	418

SIMBOLURI ȘI DENUMIRI

SIMBOL	DENUMIRE	EXPLICAȚIE
	CATEGORIA II CONSTRUCȚII	SCULE IZOLATE CU DUBLU STRAT SPECIALE PENTRU CONSTRUCȚII
	SIMBOL DE AVERTIZARE PRIVIND SIGURANȚA	INDICĂ FAPTUL CĂ TEXTUL CARE URMEAZĂ EXPLICĂ UN PERICOL, UN AVERTISMENT SAU O ATENȚIONARE.
	CITIȚI INSTRUCȚIUNILE	MANUALUL ORIGINAL DE INSTRUCȚIUNI CONȚINE INFORMAȚII IMPORTANTE PRIVIND SIGURANȚA ȘI FUNCȚIONAREA ECHIPAMENTULUI. CITIȚI ȘI URMAȚI ATENT INSTRUCȚIUNILE.
	PURTAȚI OCHELARI DE PROTECȚIE	PURTAȚI OCHELARI DE PROTECȚIE ATUNCI CÂND FOLOȘIȚI FOARFECELE DE GRĂDINĂ.
	PURTAȚI MĂNUȘI DE PROTECȚIE	PURTAȚI MĂNUȘI ATUNCI CÂND UTILIZAȚI FOARFECELE DE GRĂDINĂ ȘI CÂND MANEVRAȚI LAMELE DE TĂIERE.
	INTENSITATE SONORĂ	NIVELUL DE INTENSITATE SONORĂ ESTE DE 74 DB.
	MANEVRARE CU DOUĂ MĂINI	MANEVRAȚI FOARFECELE DE GRĂDINĂ CU AMBELE MĂINI.
	MANEVRARE CU O SINGURĂ MÂNĂ	NU MANEVRAȚI FOARFECELE DE GRĂDINĂ CU O SINGURĂ MÂNĂ.
	NU ARDEȚI	NU ARUNCAȚI ÎN FLĂCĂRI.
	NU ARUNCAȚI	NU ARUNCAȚI ÎMPREUNĂ CU RESTURILE MENAJERE. PEDAȚI ECHIPAMENTUL UNEI FIRME AUTORIZATE DE RECICLARE.
	A SE FERI DE PLOAIE	NU UTILIZAȚI ÎNCĂRCĂTORUL ÎN CONDIȚII DE UMIDITATE.
	EXCLUSIV PENTRU UZ INTERIOR	DESTINAT EXCLUSIV UZULUI INTERIOR.
	VERIFICAȚI SURSA DE TENSIUNE	VERIFICAȚI REGULAR INTEGRITATEA SURSEI DE TENSIUNE ȘI A CABLULUI ÎNCĂRCĂTORULUI.
	TEMPERATURA DE FUNCȚIONARE	FOLOȘIȚI ACUMULATORUL DOAR LA TEMPERATURI CUPRINSE ÎNTRE 0°C ȘI 40°C (32°F ȘI 104°F).
	SCULĂ DE TĂIERE	SCULĂ DE TĂIERE. NU ATINGEȚI LAMELE DE TĂIERE FĂRĂ A DEZACTIVA ÎN PREALABIL FOARFECELE DE GRĂDINĂ PRIN SCOATEREA ACUMULATORULUI.

INTRODUCERE

Foarfecele de grădină este destinat lucrărilor de tundere și întreținere regulată. Nu este destinat tăierii unor ramuri cu diametrul mai mare de 19 mm (¾ inch). Utilizarea în alte scopuri poate provoca rănire și este interzisă.

REGULI DE SIGURANȚĂ

AVERTISMENTE GENERALE DE SIGURANȚĂ PENTRU SCULE ELECTRICE

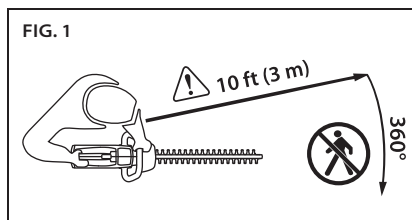
⚠ ATENȚIE: CITIȚI ȘI ÎNȚELEGEȚI ÎN ÎNTREGIME AVERTISMENTELE DE SIGURANȚĂ ȘI INSTRUCȚIUNILE. NERESPECTAREA AVERTISMENTELOR DE SIGURANȚĂ ȘI A INSTRUCȚIUNILOR POATE DUCE LA ELECTROCUTARE, INCENDIU ȘI/SAU RĂNIRE GRAVĂ.



PĂSTRAȚI TOATE AVERTISMENTELE DE SIGURANȚĂ ȘI INSTRUCȚIUNILE PENTRU CONSULTARE ULTERIOARĂ. TERMENUL „SCULĂ ELECTRICĂ” DIN TEXTUL AVERTISMENTELOR SE REFERĂ LA SCULA DUMNEAVOASTRĂ RACORDATĂ LA CURENT ELECTRIC (CU CABLU) SAU CU FUNCȚIONARE PE BAZĂ DE ACUMULATOR (FĂRĂ CABLU).

SIGURANȚA SPAȚIULUI DE LUCRU

- Păstrați spațiul de lucru curat și bine iluminat. Spațiile de lucru dezordonate sau întunecoase favorizează producerea accidentelor.
- Nu utilizați scule electrice în mediu exploziv, de exemplu în prezența unor lichide, gaze sau particule inflamabile. Sculele electrice scot scânteii care pot aprinde particulele sau gazele.
- Feriți copiii și trecătorii atunci când utilizați o sculă electrică (Fig. 1). Lipsa de concentrare poate duce la pierderea controlului asupra echipamentului.



⚠ ATENȚIE: STABILIȚI O ZONĂ DE SIGURANȚĂ DE 3 M (10 PICIOARE) ÎNAINTE DE A UTILIZA ACEST ECHIPAMENT. Zona de siguranță reprezintă un cerc cu diametrul de 3 m (10 picioare) în care este interzis accesul trecătorilor, al copiilor și animalelor.

SIGURANȚA CIRCUITULUI ELECTRIC

- Fișele de conectare ale sculelor electrice trebuie să corespundă prizei. Nu modificați în niciun fel fișa de conectare. Nu conectați adaptoare de priză la sculele electrice cu împământare. Nemodificarea fișelor de conectare și adecvarea prizelor reduc riscul de electrocutare.
- Evitați contactul corporal cu suprafețe împământate, de exemplu conducte, radiatoare, aragazuri și frigider. Există un risc crescut de electrocutare în cazul în care corpul dumneavoastră este conectat la împământare.
- Feriți sculele electrice de ploaie sau condiții de umiditate. Pătrunderea apei în interiorul sculei electrice crește riscul de electrocutare.
- Nu abuzați de cablul electric. Nu folosiți cablul electric pentru transportarea, tragerea sau scoaterea din priză a sculei electrice. Feriți cablul de căldură, uleiuri, margini ascuțite sau piese mobile. Cablurile deteriorate sau încălțite cresc riscul de electrocutare.
- Atunci când utilizați o sculă electrică în spații deschise, folosiți un prelungitor adecvat uzului exterior. Utilizarea unui prelungitor adecvat uzului exterior reduce riscul de electrocutare.

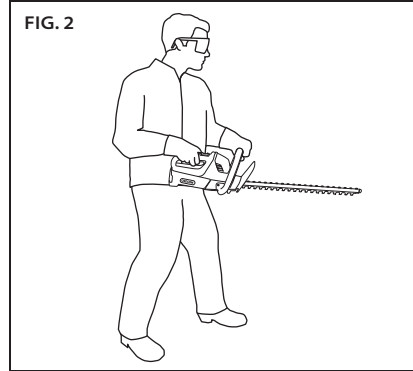
- Dacă utilizarea sculei electrice într-un mediu umed este inevitabilă, folosiți o sursă de tensiune protejată cu un dispozitiv de curent rezidual (DCR) sau un întrerupător diferențial (ID). Utilizarea unui DCR (ID) reduce riscul de electrocutare.
- Deconectați imediat echipamentul din priză în cazul în care cablul este deteriorat sau rupt.

SIGURANȚA PERSONALĂ



- Fiți vigilenți, fiți atenți la ceea ce faceți și folosiți-vă bunul simț atunci când utilizați o sculă electrică. Nu utilizați scule electrice atunci când sunteți obosit sau sub influența drogurilor, alcoolului sau a medicamentelor. Un moment de neatenție în utilizarea unei scule electrice poate provoca rănire gravă.
- Folosiți echipament de protecție. Purtați întotdeauna ochelari de protecție. Echipamentul de protecție, de exemplu mască anti-praf, încălțăminte de protecție antiderapantă, cască de protecție sau dopuri de protecție în caz de nevoie reduc riscul accidentărilor.
- Evitați pornirea accidentală a echipamentului. Asigurați-vă de aflarea comutatorului în poziția oprit înainte de a conecta la sursa de tensiune și/sau acumulator, de a ridica sau transporta echipamentul. Transportarea sculelor electrice cu degetul pe comutator sau conectarea sculelor electrice la sursa de tensiune cu comutatorul în poziția pornit favorizează producerea accidentelor.
- Îndepărtați orice cheie reglabilă sau fixă înainte de a porni scula electrică. O cheie reglabilă sau fixă rămasă conectată la o piesă rotativă a sculei electrice poate provoca rănire.

- Nu va întindeți prea mult. Păstrați-vă întotdeauna susținerea pe picioare și echilibrul (Fig. 2). Acest lucru permite un control mai bun al sculei electrice în situații neprevăzute.



- Purtați îmbrăcăminte adecvată. Nu purtați îmbrăcăminte sau bijuterii care atârnă. Feriți-vă părul, hainele și mânușile de piesele mobile. Îmbrăcăminte și bijuteriile care atârnă sau părul lung pot fi prinse în piesele mobile.
- Dacă echipamentul conține dispozitive de extragere și colectare a particulelor, asigurați-vă că acestea sunt conectate și utilizate în mod adecvat. Utilizarea dispozitivelor de colectare a particulelor reduce pericolele legate de particulele de praf.
- Utilizarea îndelungată a sculelor electrice poate provoca tulburări vasculare, musculare sau neurologice (de exemplu boala degetelor albe sau sindromul Raynaud). Pentru a reduce riscul accidentării, urmați instrucțiunile de mai jos:
 - Purtați mănuși și păstrați-vă mâinile și corpul calde.
 - Țineți strâns foarfecele de grădină, dar nu exercitați o presiune îndelungată și excesivă.
 - Faceți des pauze.

În utilizarea curentă, nivelul de vibrații poate diferi de cel specificat, în funcție de materialul care este tăiat, de starea de întreținere a sistemului de tăiere, precum și de alți factori.

UTILIZAREA ȘI ÎNTREȚINEREA SCULELOR ELECTRICE

- Nu forțați scula electrică. Utilizați scula electrică adecvată scopului dumneavoastră. Utilizarea sculei electrice adecvate va permite o mai bună și mai sigură funcționare la nivelul pentru care a fost proiectată.
- Nu folosiți scula electrică în cazul în care comutatorul de pornire și oprire nu funcționează. Sculele electrice care nu pot fi controlate prin comutatorul de pornire și oprire sunt periculoase și necesită reparare.
- Deconectați cablul din sursa de tensiune și/sau îndepărtați acumulatorul din scula electrică înainte de a face modificări, de a schimba piese sau de a depozita sculele electrice. Aceste măsuri preventive de siguranță reduc riscul pornirii accidentale a sculei electrice.



- Nu lăsați sculele electrice nefolosite la îndemâna copiilor și nu permiteți utilizarea sculei electrice de către persoane care nu cunosc modul de operare al acesteia sau instrucțiunile atașate. Este periculos a se lăsa sculele electrice la îndemâna persoanelor care nu știu să le folosească.
- Efectuați procedurile de întreținere a sculelor electrice. Verificați dacă piesele mobile sunt poziționate corect și au libertate de mișcare, dacă nu există piese defecte, precum și orice alt factor care ar putea afecta funcționarea sculei electrice. În cazul oricărei defecțiuni, asigurați-vă că scula electrică este reparată înainte de a o utiliza. Multe accidente sunt provocate de o întreținere deficitară a sculelor electrice.
- Păstrați sculele de tăiere ascuțite și curate. Sculele de tăiere corect întreținute, cu lame de tăiere ascuțite sunt mai puțin susceptibile de a se bloca și mai ușor de controlat.
- Utilizați scula electrică, accesoriile și componentele etc. în conformitate cu aceste instrucțiuni, ținând cont de condițiile de lucru și de tipul sarcinii. Este periculos a se utiliza scula electrică în scopuri diferite de cele pentru care a fost proiectată.

UTILIZAREA ȘI ÎNTREȚINEREA SCULELOR CU ACUMULATOR

- Încărcați doar cu ajutorul încărcătorului specificat de fabricant. Un încărcător corespunzător unui anumit tip de acumulator poate genera un risc de incendiu atunci când este utilizat cu un alt tip de acumulator.
- Utilizați sculele electrice exclusiv cu tipurile de acumulator specificate. Utilizarea oricăror altor tipuri de acumulator poate genera risc de rănire și incendiu.
- Atunci când nu este folosit, acumulatorul trebuie ferit de alte obiecte metalice, precum agrafe, monede, chei, cuie, șuruburi sau alte obiecte mici din metal care pot crea o conexiune între cele două capete ale acumulatorului. Scurtcircuitarea capetelor acumulatorului poate provoca arsuri sau incendiu.
- În cazul utilizării abuzive, acumulatorul poate avea scăpări de lichid; evitați contactul cu acesta. În caz de contact accidental, spălați sub jet de apă. În caz de contact al lichidului cu ochii, solicitați și îngrijire medicală. Lichidul scurs din acumulator poate provoca iritații sau arsuri.

SERVICE

Asigurați-vă că scula electrică este reparată doar de persoane calificate, care utilizează exclusiv piese de schimb identice. Acest lucru va permite continuarea utilizării sculei electrice în condiții de siguranță.

AVERTISMENTE DE SIGURANȚĂ PRIVIND FOARFECHELE DE GRĂDINĂ

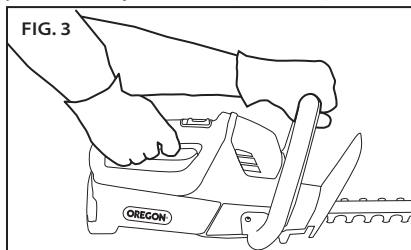


**⚠ PERICOL: NU ȚINEȚI MĂINILE
ÎN APROPIEREA LAMEI DE TĂIERE.
CONTACTUL CU LAMA DE TĂIERE POATE
PROVOCA RĂNIRE GRAVĂ.**

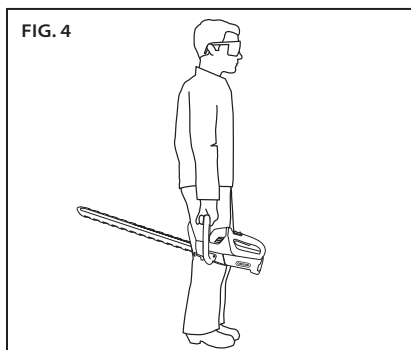
⚠ ATENȚIE: UTILIZAȚI DOAR CU MĂNERUL ȘI APĂRĂTOAREA DE MĂINI ASAMBLATE CORECT LA FOARFECELE DE GRĂDINĂ.

UTILIZAREA FOARFECELUI DE GRĂDINĂ FĂRĂ APĂRĂTOAREA ȘI MĂNERUL DIN DOTARE POATE PROVOCA RĂNIRE GRAVĂ.

- Folosiți ambele mâini atunci când manevrați foarfecele de grădină. Manevrarea cu o singură mână poate genera pierderea controlului și avea ca și consecință rănirea gravă (Fig. 3).



- Feriți-vă toate părțile corpului de lama de tăiere. Nu îndepărtați materialul tăiat și nu țineți mâna pe materialul care urmează a fi tăiat atunci când lamele de tăiere sunt în mișcare. Asigurați-vă de aflarea comutatorului pe poziția oprit atunci când îndepărtați materialul blocat. Lamele de tăiere încetinesc înainte de oprire atunci când echipamentul este oprit. *Un moment de neatenție în utilizarea foarfecelui de grădină poate provoca rănire gravă.*
- Transportați foarfecele de grădină ținându-l de mâner, cu lamele de tăiere oprite (Fig. 4). Acoperiți întotdeauna lamele de tăiere cu capacul din dotare atunci când transportați sau depozitați foarfecele de grădină. Manevrarea corectă a foarfecelui de grădină reduce riscul de rănire cu lamele de tăiere.



- Țineți scula electrică doar de părțile izolate electric, deoarece lama de tăiere poate intra în contact cu fire electrice ascunse sau cu cablul echipamentului. *Lamele de tăiere aflate în contact cu un fir electric în tensiune pot transmite tensiunea părților metalice neizolate și provoca electrocutarea operatorului.*
- Foarfecele de grădină nu conține piese care pot fi reparate de către utilizator. Înlocuirea, service-ul și repararea lamelor de tăiere necesită personal calificat. Consultați secțiunea „Service și suport tehnic” pentru informațiile de contact.

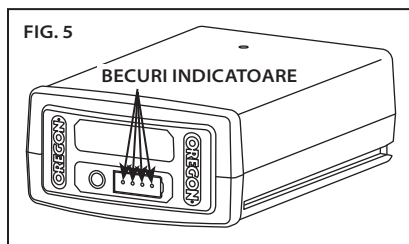
DEPOZITARE, TRANSPORT ȘI ELIMINARE

DEPOZITAREA FOARFECELUI DE GRĂDINĂ

- Aplicați lubrifiant pe lamele de tăiere. Pentru informații suplimentare, consultați secțiunea „Întreținere și curățare”.
- Scoateți acumulatorul din foarfecele de grădină.
- Curățați atent foarfecele de grădină.
- Atașați capacul lamei de tăiere.
- Depozitați în loc uscat.
- A nu se ține la îndemâna copiilor sau animalelor.

DEPOZITAREA ACUMULATORULUI

- În cazul depozitării acumulatorului pentru mai mult de nouă luni, urmați instrucțiunile de mai jos:
- Scoateți acumulatorul din foarfecele de grădină sau încărcător.
 - Depozitați în loc răcoros și uscat.
 - A nu se ține la îndemâna copiilor sau animalelor.
 - Pentru a prelungi durata de viață a acumulatorului, nu depozitați niciodată acumulatorul în stare de descărcare completă. (Fig. 5).



- Depozitați la temperaturi cuprinse între -20°C și 30°C (-4°F și 86°F).



DEPOZITAREA ÎNCĂRCĂTORULUI

- Scoateți acumulatorul din încărcător.
- Deconectați încărcătorul de la sursa de tensiune.
- Depozitați în loc uscat.
- A nu se ține la îndemâna copiilor sau animalelor.

Pentru informații suplimentare, consultați secțiunea „Întreținere și curățare”.

TRANSPORTAREA FOARFECELUI DE GRĂDINĂ

Înainte de transportare, pregătiți foarfecele de grădină conform instrucțiunilor din secțiunea „Depozitarea foarfecelui de grădină”.

TRANSPORTAREA ACUMULATORULUI

Respectați reglementările naționale privind transportul acumulatorilor cu litiu-ion, etichetarea poate fi obligatorie.

ELIMINAREA FOARFECELUI DE GRĂDINĂ ȘI A ÎNCĂRCĂTORULUI

Produsul OREGON® este proiectat și fabricat cu materiale și componente de înaltă calitate, care pot fi reciclate și refolosite. La sfârșitul duratei de viață a produsului, conform Directivei 2002/95/CE, aparatul electric trebuie aruncat separat de resturile menajere. În cadrul Uniunii Europene există sisteme de colectare separate pentru produse electrice și electronice uzate. Vă rugăm să eliminați acest echipament cu respectarea regulilor de protecția mediului, depunându-l la un centru de colectare a deșeurilor/de reciclare din comunitatea locală.

ELIMINAREA ACUMULATORULUI

Nu aruncați acumulatorul cu resturile menajere curente. Nu ardeți acumulatorul. Agențiile locale de gestionare a deșeurilor și de reciclare vă pot oferi informații privind eliminarea sau reciclarea în condiții de respectare a regulilor de protecția mediului.



SIGURANȚA ACUMULATORULUI

▲ PERICOL: NERESPECTAREA ACESTOR REGULI DE SIGURANȚĂ POATE PROVOCA SCURGAREA DIN ACUMULATOR A UNOR SUBSTANȚE CHIMICE PERICULOASE, SUPRĂÎNCĂLZIREA, DEGAJAREA DE FUM, SPARGEREA, IZBUCNIREA ÎN FLĂCĂRI, EXPLOZIA ȘI/SAU APRINDEREA ACUMULATORULUI.

▲ ATENȚIE: NU ARUNCAȚI ACUMULATORUL ÎMPREUNĂ CU RESTURILE MENAJERE SAU ÎN FLĂCĂRI. ACUMULATORII CU LITIU-ION TREBUIE RECICLAȚI DE CĂTRE UN AGENT LOCAL AUTORIZAT DE RECICLARE.

▲ ATENȚIE: NU EXPUNEȚI ACUMULATORUL LA CĂLDURĂ EXCESIVĂ, DE EXEMPLU ÎN INTERIORUL UNUI AUTOVEHICUL ÎN CONDIȚII DE VREME FOARTE CALDĂ. O ASEMENEA EXPUNERE POATE PROVOCA O SCĂDERE A PERFORMANȚEI ȘI/SAU A DURATEI DE VIAȚĂ. NU ÎNCERCAȚI SA REÎNCĂRCAȚI UN SET DE BATERII NEREÎNCĂRCABILE.

- Nu dezasamblați sau modificați acumulatorul. Acest lucru ar putea dăuna caracteristicilor de siguranță ale produsului.
- Nu conectați capetele pozitiv (+) și negativ (-) la obiecte metalice și nu depozitați acumulatorul cu obiecte metalice precum monede sau șuruburi. Acest lucru ar putea crea scurtcircuite și genera o cantitate suficientă de căldură pentru a provoca arsuri.

- Nu ardeți acumulatorul și nu îl expuneți la căldură excesivă. Acest lucru ar putea provoca topirea materialului izolator sau dăuna caracteristicilor de siguranță ale produsului.
- Nu utilizați, încărcați sau depozitați lângă surse de căldură de peste 80°C (176°F). Acest lucru ar putea provoca supraîncălzire și scurtcircuitare internă.
- Feriți de condiții de umiditate extremă. Acest lucru poate dăuna caracteristicilor de siguranță ale produsului, provoca supraîncălzire electrică și duce la reacții chimice neobișnuite.
- Folosiți doar încărcătorul special pentru acumulator și respectați regulile de siguranță descrise în secțiunea „Siguranța încărcătorului”. Utilizarea altui încărcător poate dăuna caracteristicilor de siguranță ale produsului, provoca supraîncălzire electrică și duce la reacții chimice neobișnuite.
- Nu folosiți acumulatori marca OREGON® la scule care nu sunt marca OREGON®.
- Nu loviți, înțepeți sau aruncați acumulatorul și nu folosiți un acumulator deteriorat sau deformat.
- Dacă reîncărcarea nu funcționează, nu încercați să reîncărcați. Dacă acumulatorul emană miros sau căldură sau dacă este decolorat, deformat sau prezintă orice altă caracteristică neobișnuită în timpul utilizării, reîncărcării sau depozitării, îndepărtați-l imediat din foarfecele de grădină sau încărcător.
- Orice lichid scurs din acumulator este coroziv, poate dăuna ochilor și pielii și poate fi toxic la înghițire.

SIGURANȚA ÎNCĂRCĂTORULUI

INSTRUCȚIUNI DE SIGURANȚĂ IMPORTANTE

⚠ ATENȚIE: ACEST PRODUS NU ESTE DESTINAT UTILIZĂRII DE CĂTRE PERSOANE (INCLUSIV COPII) CU ABILITĂȚI FIZICE, SENZORIALE SAU MENTALE REDUSE SAU NECUNOSCĂTORI, CU EXCEPȚIA CAZULUI ÎN CARE AU FOST SUPRAVEGHEAȚI SAU INSTRUIȚI DE

CĂTRE O PERSOANĂ RESPONSABILĂ PENTRU SIGURANȚA LOR. COPIII TREBUIE SUPRAVEGHEAȚI PENTRU A VĂ ASIGURA CĂ NU SE JOACĂ CU ECHIPAMENTELE.

⚠ ATENȚIE: RISC DE ELECTROCUTARE. ÎN CAZUL FOLOSIRII ÎN SPAȚIU LIBER, CONECTAȚI EXCLUSIV LA O PRIZĂ DE CURENȚ CLASA A, ACOPERITĂ, CU ÎNTRERUPĂTOR DIFERENȚIAL ȘI REZISTENȚĂ LA INTEMPERII, CU SURSA DE ALIMENTARE CONECTATĂ LA PRIZĂ. ÎN CAZUL ÎN CARE NU DISPUNEȚI DE O ASTFEL DE PRIZĂ, CONTACTAȚI UN ELECTRICIAN CALIFICAT PENTRU O INSTALARE CORESPUNZĂTOARE. ASIGURAȚI-VĂ CĂ SURSA ȘI CABLUL DE ALIMENTARE NU ÎMPIEDICĂ ÎNCHIDEREA COMPLETĂ A ACOPERITOAREI PRIZEI DE CURENȚ.

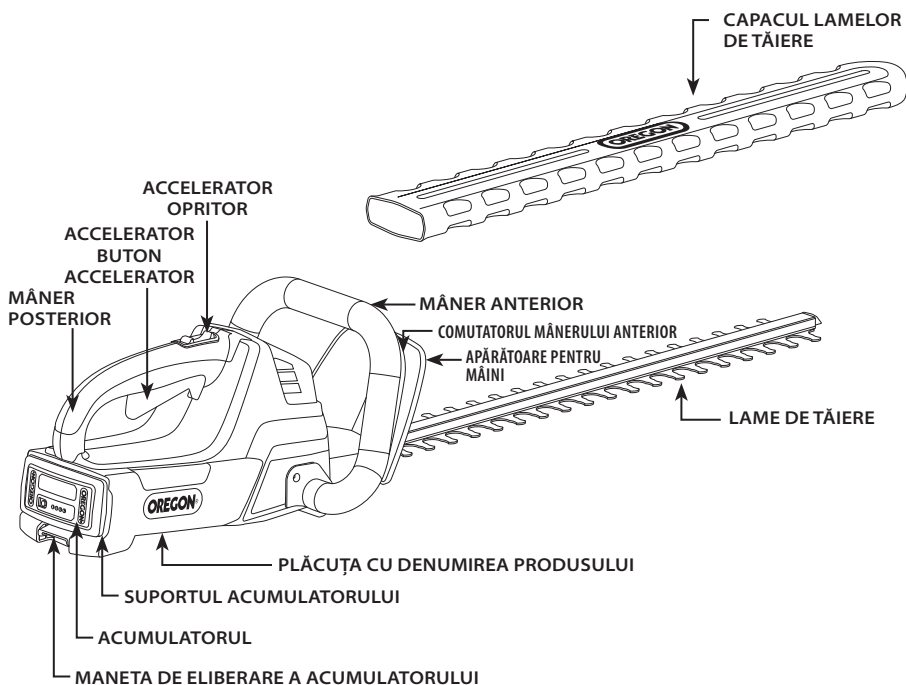
⚠ ATENȚIE: UTILIZAȚI ACEST ÎNCĂRCĂTOR DOAR CU CABLUL DE ALIMENTARE DIN DOTARE, ASIGURÂNDU-VĂ CĂ FIȘA DE CONECTARE ESTE INTRODUSĂ CORECT ÎN PRIZA DE CURENȚ.

În cazul utilizării produselor electrice este necesară respectarea permanentă a unor măsuri elementare de siguranță, inclusiv următoarele:

- Citiți și respectați în întregime instrucțiunile de siguranță înainte de utilizare. Citiți și respectați în întregime instrucțiunile înscrise pe produs sau furnizate împreună cu produsul.
- Păstrați aceste instrucțiuni.
- Nu folosiți prelungitor.
- Nu abuzați de cablul electric. Nu folosiți cablul electric pentru transportarea, tragerea sau scoaterea din priză a sculei electrice. Feriți cablul de căldură, uleiuri, margini ascuțite sau piese mobile. *Cablurile deteriorate sau încălcite cresc riscul de electrocutare.*
- Nu expuneți încărcătorul la ploaie. *Exclusiv pentru uz interior.*
- Nu utilizați pe o rază de 3 m (10 picioare) depărtare de un bazin cu apă.
- Nu utilizați în baie.

IDENTIFICAREA PRODUSULUI

PREZENTAREA FOARFECELUI DE GRĂDINĂ



NOTĂ: Consultați secțiunea „Despachetare” pentru lista componentelor incluse.

SPECIFICAȚII ȘI COMPONENTE

PIESE DE SCHIMB	NUMĂRUL PIESEI
ACUMULATOR, MODEL B400E	548206
ÎNCĂRCĂTOR CU CABLU, MODEL C600	UE - 554933 UK - 554872 AU/NZ - 560663
ÎNCĂRCĂTOR CU CABLU, MODEL C750	UE - 558697 UK - 558698 AU/NZ - 558699
INCĂRCĂTOR, MODEL C600	
PUTERE DE INTRARE	100-240V~ 50-60HZ 60W
PUTERE DE IEȘIRE	41,5V _{DC} 1,25A
CABLU DE ALIMENTARE	UE - 547383 UK - 547384 AU/NZ - 559380
ACUMULATOR, MODEL B400E	
GREUTATE	1,23 kg (2,72 livre)
TIP	LITIU-ION
TENSIUNE, NOMINAL	+37 VDC
TEMPERATURI DE FUNCȚIONARE	0°C PÂNĂ LA 40°C (32°F PÂNĂ LA 104°F)
CAPACITATE, NOMINALĂ	2,4 Ah / 89 Wh
TIMP DE ÎNCĂRCARE (APROX.)	120 MINUTE
FOARFECE DE GRĂDINĂ	
LUNGIMEA LAMEI DE TĂIERE	600 mm (24 in)
TIPUL LAMEI DE TĂIERE	DUBLĂ CU COMPENSARE RECIPROCĂ
VITEZA MAXIMĂ DE TĂIERE A LAMELOR	2750 LOVITURI PE MINUT
DIAMETRU MAXIM DE TĂIERE	PÂNĂ LA 19 mm (3/4 in)
GREUTATEA LA B400E	4,4 kg (9,8 livre)
NIVELUL DE INTENSITATE SONORĂ	74 dB L _{WA} (K, 0,18 dB)
VIBRAȚII	1,16 m/s ² (K, 0,26 m/s ²)

DENUMIRI ȘI TERMENI PENTRU FOARFECELE DE GRĂDINĂ

Blocajul lamelor de tăiere: Situația în care lamele de tăiere nu se mai mișcă din cauza materialului rămas blocat între părțile mobile și cele fixe ale lamelor de tăiere.

Zona de siguranță: Un cerc cu diametrul de 3 m (10 picioare) în care este interzis accesul trecătorilor, al copiilor și animalelor.

Lame de tăiere: Totalitatea suprafețelor ascuțite ieșite în afară în partea din față a foarfecelui de grădină, care se mișcă înainte și înapoi pentru a tăia gardul viu.

Sezon de tundere: Momentul ideal pentru tunderea gardurilor vii variază în funcție de tipul de plantă, dar în general se practică tunderea în perioade de creștere lentă, după ce înflorirea e completă. Pentru sfaturi privind tunderea fiecărei plante în parte, adresați-vă unei sere.

Viteza de tăiere: Foarfecele de grădină are o viteză de tăiere variabilă. Pentru o viteză de tăiere mai mare, apăsați mai ferm butonul accelerator. Pentru a obține timpi maximi de tăiere la fiecare încărcare, folosiți doar viteza minimă necesară tăierii materialului respectiv.

Mânerul anterior: Mânerul de suport amplasat în sau înspre partea din față a foarfecelui de grădină.

Comutatorul mânerului anterior: Un comutator în forma de U aflat de-a lungul mânerului anterior, care împiedică pornirea accidentală a butonului accelerator în lipsa apăsării manuale.

Apărătoare pentru mâini: O barieră structurală între mânerul anterior al foarfecelui de grădină și lamele de tăiere.

Creștere nouă: Părțile unei plante crescute cel mai recent. În general, au culoare mai deschisă, sunt mai puțin lemnoase și mai flexibile decât restul plantei.

Mânerul posterior: Mânerul de suport amplasat în sau înspre partea din spate a foarfecelui de grădină, în locul în care se află butonul accelerator.

Buton accelerator: Un dispozitiv care controlează viteza lamelor de tăiere.

Opritorul butonului accelerator: O piedică mobilă care împiedică pornirea accidentală a foarfecelui de grădină în lipsa apăsării manuale.

FUNȚIONAREA FOARFECELUI DE GRĂDINĂ

DESPACHETARE

CE GĂSIȚI ÎN CUTIE?

Foarfecele de grădină este livrat complet asamblat. Următoarele piese se livrează împreună cu foarfecele de grădină:

- Foarfece de grădină
- Capacul lamelor de tăiere
- Manualul de instrucțiuni
- Încărcătorul și cablul (dacă există)
- Acumulatorul (dacă există)

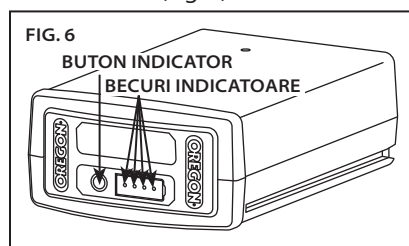
După scoaterea foarfecelui de grădină din cutie, inspectați-l cu atenție pentru a vă asigura ca nu a fost deteriorat în timpul transportului și că nu lipsește nicio piesă. În cazul în care există piese deteriorate sau lipsă, nu folosiți foarfecele de grădină. Contactați OREGON® Cordless Tool System pentru a obține piesele de schimb. Pentru numerele de telefon din fiecare țară, consultați secțiunea „Servicii clienți în funcție de țară”.

ACUMULATORUL ȘI ÎNCĂRCĂTORUL

⚠ AVERTISMENT: NU REÎNCĂRCAȚI ACUMULATORUL ÎN PLOAIE.

LED INDICATOR AL NIVELULUI DE ÎNCĂRCARE A ACUMULATORULUI

Acumulatorul cu litiu-ion este prevăzut cu un LED indicator al nivelului de încărcare. Pentru a verifica nivelul de încărcare al acumulatorului, apăsați butonul indicator de pe partea din față a acumulatorului (Fig. 6).



Beculețele stinse: reîncărcați.

Un becuțel verde aprins continuu: încărcat mai puțin de 25%. Reîncărcați acumulatorul înainte de utilizare.

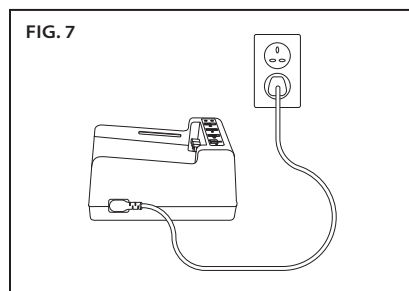
Două becuțe verzi aprinse continuu: încărcat 26-50%.

Trei becuțe verzi aprinse continuu: încărcat 51-75%.

Patru becuțe verzi aprinse continuu: încărcat 76-100%.

CONECTAREA ÎNCĂRCĂTORULUI

Conectați cablul încărcătorului la încărcător și la sursa de tensiune corespunzătoare (Fig. 7).



Folosiți exclusiv cablul furnizat împreună cu încărcătorul. Înainte de prima utilizare, verificați ca tipul de fișă să corespundă prizei de curent.

LEDUL INDICATOR AL STADIULUI DE ÎNCĂRCARE

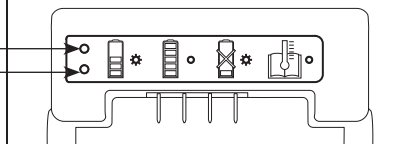
Încărcătorul acumulatorului este prevăzut cu un LED indicator al stadiului de încărcare, care indică stadiul de încărcare, precum și condițiile care pot întârzia sau împiedica încărcarea acumulatorilor (Fig. 8).

Notă: Beculețele sunt vizibile doar după introducerea acumulatorului.

Beculeț portocaliu care clipește: eroare. Pot exista mai multe cauze. Consultați secțiunea „Probleme frecvente și rezolvarea lor” a acestui manual.

Beculeț portocaliu aprins continuu: temperatura acumulatorului este în afara intervalului acceptabil (0°C/32°F până la 40°C/104°F). Lăsați acumulatorul să revină în intervalul acceptabil de temperatură înainte de încărcare. Acumulatorul poate fi lăsat în încărcător până la reglarea temperaturii. Încărcarea va începe în momentul în care este atinsă temperatura corespunzătoare.

FIG. 8



Beculeț verde care clipește: acumulatorul se încarcă.

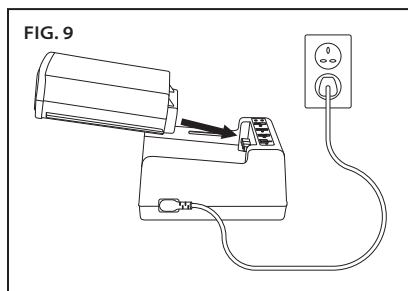
Beculeț verde aprins continuu: acumulatorul este GATA DE UTILIZARE.

ÎNCĂRCAREA ACUMULATORULUI

⚠ ATENȚIE: NERESPECTAREA REGULILOR DE ÎNCĂRCARE POATE PROVOCA SUPRATENSIUNE, SUPRACURENȚ, PIERDEREA CONTROLULUI ÎN TIMPUL ÎNCĂRCĂRII, SCURGEREA DE SUBSTANȚE CHIMICE PERICULOASE, GENERARE DE CĂLDURĂ, EXPLOZIE SAU INCENDIU.

Cu cablul conectat la încărcător și introdus într-o priză de curent, aliniați creștăturile acumulatorului cu șinele încărcătorului și glisați acumulatorul pe încărcător până la fixarea în poziția corespunzătoare (Fig. 9).

FIG. 9

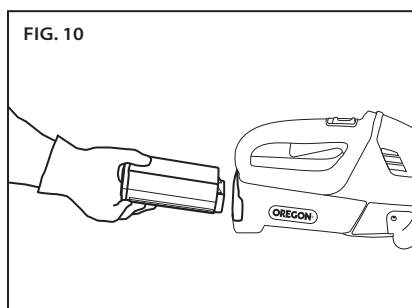


Verificați indicatorul stadiului de încărcare pentru a vedea condițiile de încărcare.

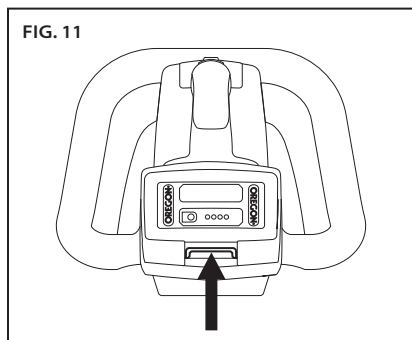
INTRODUCEREA ȘI SCOATEREA ACUMULATORULUI

Folosiți exclusiv acumulatorii marca OREGON® specificați în aceste instrucțiuni de utilizare.

Aliniați creștăturile acumulatorului cu șinele din interiorul suportului pentru acumulator. Introduceți ferm acumulatorul în suportul pentru acumulator al foarfecelui de grădină împingând până ce se aude un clic în momentul fixării (Fig. 10).



Pentru a scoate acumulatorul, trageți maneta de eliberare a acumulatorului (Fig. 11).



REGULI GENERALE DE OPERARE



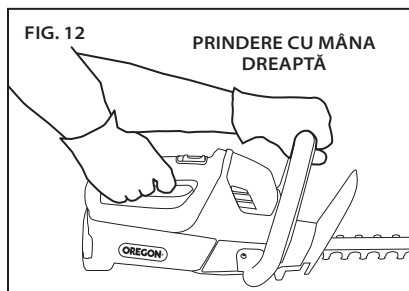
⚠ ATENȚIE: PURTAȚI ÎNTOTDEAUNA MĂNUȘI ȘI OCHELARI DE PROTECȚIE.

TEMPERATURA DE FUNCȚIONARE

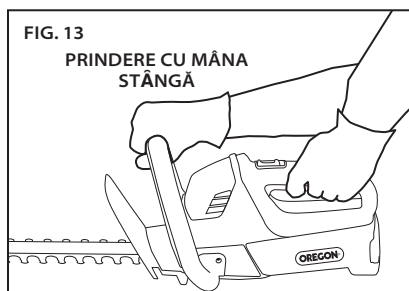
Foarfecele de grădină este proiectat pentru a funcționa într-un interval de temperatură de 0°C până la 40°C (32°F până la 104°F).

PRINDERE

Apucați întotdeauna scula cu ambele mâini. Pentru manevrare cu mâna dreaptă, puneți foarfecele de grădină pe o suprafață tare, netedă, prindeți mânerul anterior cu mâna stângă și mânerul posterior cu mâna dreaptă. Strângeți degetele peste mânerul anterior, cu degetul mare dedesubt (Fig. 12).



Pentru manevrare cu mâna stângă, prindeți mânerul anterior cu mâna dreaptă și mânerul posterior cu mâna stângă (Fig. 13).



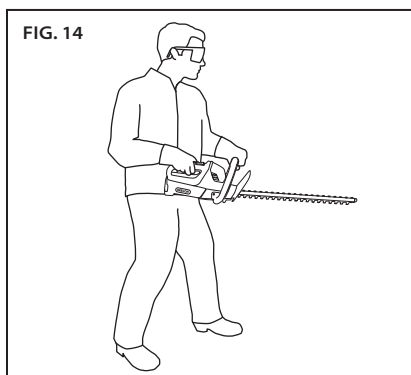
POZIȚIA CORPULUI

Stați cu ambele picioare pe o suprafață solidă, cu greutatea distribuită în mod egal între ele.

Nu vă întindeți prea mult și nu stați pe o scară, scaun sau în orice altă poziție supraînălțată care nu este complet sigură.



Țineți foarfecele de grădină cât mai aproape de corp pentru a menține controlul (Fig. 14).

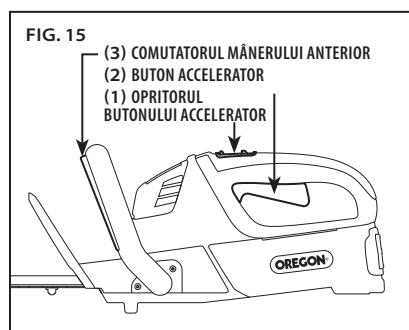


OPRIREA FOARFECELUI DE GRĂDINĂ

Eliberați butonul accelerator pentru a opri foarfecele de grădină.

PORNIREA FOARFECELUI DE GRĂDINĂ

Apucați ferm mânerul anterior și cel posterior. Trageți în spate opritorul butonului accelerator (1) cu degetul mare (Fig. 15). Apăsăți butonul accelerator (2) până ce lamele de tăiere se mișcă la viteza dorită. Comutatorul mânerului anterior (3) este o caracteristică de siguranță; foarfecele de grădină nu va porni până când acesta nu este activat.



CONTROLUL VITEZEI LAMELOR DE TĂIERE

Butonul accelerator controlează viteza de oscilare a lamelor de tăiere. Pentru o viteză de tăiere mai mare, apăsați mai ferm butonul accelerator.

Folosiți presiunea minimă necesară tăierii materialului. Acest lucru contribuie la maximizarea timpului de tăiere la fiecare reîncărcare și reduce numărul operațiunilor de reîncărcare necesare.

TUNDEREA GARDURILOR VII

CÂND SE EFECTUEAZĂ TUNDEREA

Momentul ideal pentru tunderea gardurilor vii variază în funcție de tipul de plantă, dar în general se practică tunderea în perioade de creștere lentă, după ce înflorirea e completă. Pentru sfaturi privind tunderea fiecărei plante în parte, adresați-vă unei sere.

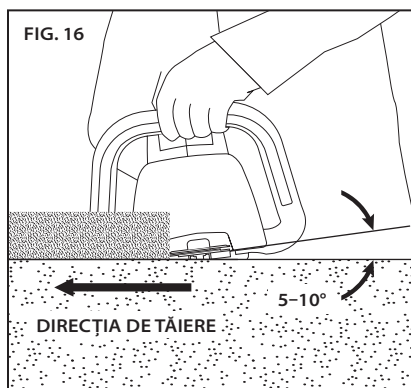
Respectați toate regulile și reglementările naționale și locale referitoare la tunderea gardurilor vii.

TUNDEREA OBIȘNUITĂ

▲ ATENȚIE: ASIGURAȚI-VĂ ÎNTOTDEAUNA CĂ STAȚI BINE PE PICIOARE ȘI ȚINEȚI STRĂNS FOARFECELE DE GRĂDINĂ CU AMBELE MÂINI ÎN TIMPUL FUNCȚIONĂRII MOTORULUI.

Înainte de tundere, verificați dacă nu există obiecte străine în gardul viu pentru a preveni deteriorarea lamelor de tăiere. Îndepărtați obiectele care ar putea împiedica tunderea.

Apucați bine mânerul, luați poziția corespunzătoare și porniți foarfecele de grădină. Țineți foarfecele de grădină cu lamele de tăiere la un unghi de 5-10° în direcția de tundere (Fig. 16).



IMPORTANT: SE POATE ÎNTÂMPLA CA LAMELE DE TĂIERE SĂ SE BLOCHEZE ȘI SĂ NU SE MAI MIȘTE ATUNCI CÂND UN MATERIAL RĂMÂNE PRINS ÎNTRE ELE SAU DACĂ LAMELE INTRĂ ÎN CONTACT CU O SĂRMĂ SAU CU UN GARD DE SĂRMĂ. CONSULTAȚI SECȚIUNEA „REMEDIEREA BLOCAJULUI LAMELOR DE TĂIERE” PENTRU A AFLA CUM SĂ PROCEDAȚI ÎN ACEASTĂ SITUAȚIE.

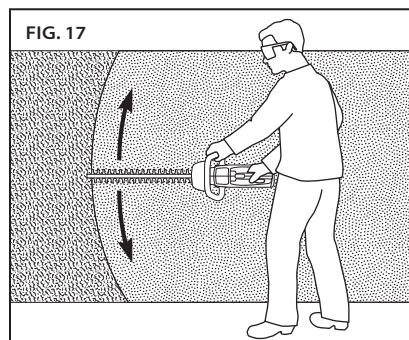
ORDINEA DE TUNDERE

Dacă gardul este bine întreținut, axați-vă pe tunderea creșterii noi până ce gardul dobândește forma dorită.

După îndepărtarea crengilor mari, folosiți foarfecele de grădină pentru a tunde laturile gardului viu până la lungimea dorită. Tundeți vârful gardului viu la sfârșit, după ce ați terminat cu laturile.

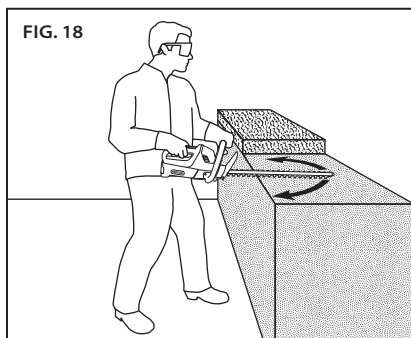
TUNDEREA VERTICALĂ

Începeți de la baza gardului viu atunci când tăiați laturile gardului. Țineți foarfecele de grădină cu lamele de tăiere la un unghi de 5-10° în direcția de tundere. Înaintați în jos de-a lungul liniei gardului, descriind un arc larg cu foarfecele de grădină cu mișcări ușoare în sus și în jos (Fig. 17).



TUNDEREA ORIZONTALĂ

Începeți cu marginea cea mai apropiată atunci când tundeți vârful gardului. Țineți foarfecele de grădină cu lamele de tăiere la un unghi de 5–10° în direcția de tundere. Înaintați în jos de-a lungul liniei gardului, descriind un arc larg cu foarfecele de grădină cu mișcări ușoare la stânga și la dreapta (Fig. 18).



Dacă vârful gardului e prea lat pentru a fi tăiat cu o singură mișcare a foarfecelui de grădină, nu vă aplecați peste gard pentru a tunde restul. În loc de aceasta, treceți o dată cu foarfecele de grădină în jos pe o latură a gardului și apoi tăiați restul din partea cealaltă a gardului.

REMEDIEREA BLOCAJULUI LAMELOR DE TĂIERE

⚠ ATENȚIE: SCOATEȚI ÎNTOTDEAUNA ACUMULATORUL ÎNAINTE DE A DEBLOCA LAMELE DE TĂIERE PENTRU A EVITA PORNIREA LOR ACCIDENTALĂ.

⚠ ATENȚIE: LAMELE DE TĂIERE SUNT ASCUȚITE. FOLOȘIȚI ÎNTOTDEAUNA MĂNUȘI ATUNCI CÂND SCOATEȚI MATERIALUL RĂMAS BLOCAT ÎNTRE LAMELE DE TĂIERE.

Uneori, în cazul în care se taie ramuri flexibile, „verzi”, bucățile tăiate pot rămâne blocate între părțile mobile și cea fixă a lamelor de tăiere. În acest caz, lamele de tăiere pot să se oprească brusc. Acest lucru se poate întâmpla și dacă lamele de tăiere intră în contact cu materiale prea dure pentru a fi tăiate, precum un gard de sârmă. Această situație poartă denumirea de blocaj al lamelor de tăiere.

Urmați aceste instrucțiuni pentru îndepărtarea corectă și în siguranță a materialului blocat.

- Purtați mănuși.
- Scoateți acumulatorul din foarfecele de grădină. Consultați secțiunea „Scoaterea acumulatorului”.
- Îndepărtați materialul care obstrucționează lamele de tăiere.

ÎNTREȚINERE ȘI CURĂȚARE

FOARFECE DE GRĂDINĂ

⚠ ATENȚIE: VERIFICAȚI FOARFECELE DE GRĂDINĂ. VERIFICAREA REGULATĂ ESTE PRIMUL PAS AL UNEI ÎNTREȚINERI CORESPUNZĂTOARE. URMAȚI INSTRUCȚIUNILE DE MAI JOS PENTRU A ASIGURA MAXIMUMUL DE SIGURANȚĂ ȘI SATISFAȚIE. ASIGURAȚI-VĂ CĂ PIESELE DETERIORATE SAU EXCESIV DE UZATE SUNT ÎNLOCUIE IMEDIAT. NEIDENTIFICAREA ȘI NEÎNLOCUIREA PIESELOR DETERIORATE SAU UZATE POATE PROVOCA RĂNIRE GRAVĂ.

⚠ ATENȚIE: ÎNDEPĂRTAȚI ACUMULATORUL DIN FOARFECELE DE GRĂDINĂ ÎNAINTE DE A-L VERIFICA, DE A-L CURĂȚA SAU DE A EFECTUA PROCEDURILE DE ÎNTREȚINERE. O SCULĂ PE BAZĂ DE ACUMULATOR CU ACUMULATORUL AFLAT ÎN INTERIOR ESTE ÎNTOTDEAUNA ÎN STARE DE FUNCȚIONARE ȘI POATE PORNI ACCIDENTAL.

⚠ ATENȚIE: NU SCUFUNDAȚI FOARFECELE DE GRĂDINĂ ÎN APĂ SAU ALTE LICHIDE ATUNCI CÂND ÎL CURĂȚAȚI.

CURĂȚAȚI FOARFECELE DE GRĂDINĂ

- Îndepărtați praful, frunzele și bucățile de ramuri de pe foarfecele de grădină.
- Curățați ventilele de aerisire pentru a asigura fluxul aerului în mod corespunzător și a preveni supraîncălzirea.
- Ștergeți capul mobil cu o cârpă curată umezită cu detergent delicat și apă.
- Nu folosiți niciodată substanțe de curățat puternice sau solvenți.

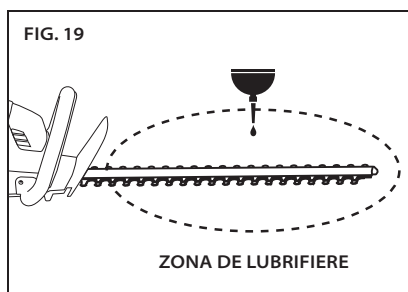
VERIFICAȚI LAMELE DE TĂIERE

Asigurați-vă că lamele de tăiere sunt ascuțite, nu prezintă fisuri sau vârfuri tocite, nu se agață și nu se prind în momentul funcționării foarfecelui de grădină. Șlefuiți periodic creștăturile și bavurile apărute pe lame pentru a vă asigura că se pot mișca liber. Lamele ascuțite și libere asigură o tăiere mai ușoară decât lamele tocite sau lipicioase.

ÎNGRIJIREA LAMEI

În cazul în care se taie garduri formate din plante cu multă sevă sau în medii cu mult praf, acumularea de sevă sau murdărie poate face lamele lipicioase. Pentru a preveni lipirea lamelor, curățați-le cu un strat subțire de silicon lubrifiant lichid doar pe zona de lubrifiere a lamelor (Fig. 19) și porniți scurt lamele pentru a distribui în mod egal lubrifiantul.

IMPORTANT: EVITAȚI SCURGEREA LUBRIFIANTULUI ÎN INTERIORUL FOARFECELUI DE GRĂDINĂ. NU FOLOSIȚI NICIODATĂ SOLVENȚI PENTRU GRĂSIMI SAU SPRAY-URI CARE ÎMPIEDICĂ DEPURAREA APEI. NU LUBRIFIAȚI EXCESIV.



VERIFICAȚI MANȘONUL DE PROTECȚIE

Dacă există manșon de protecție, asigurați-vă că nu e îndoit sau rupt. Un manșon de protecție îndoit poate împiedica mișcarea liberă a lamelor de tăiere. Dacă manșonul de protecție este îndoit sau rupt, asigurați-vă că este înlocuit la un service autorizat.

ATAȘAȚI CAPACUL LAMEI DE TĂIERE

Trageți capacul peste lamele de tăiere pentru a le păstra curate și a evita agățarea lor sau tăierea accidentală a oamenilor sau a obiectelor.

VERIFICAȚI MÂNERELE

Asigurați-vă că atât mânerul anterior cât și cel posterior sunt curate, uscate și nu prezintă crăpături sau alte forme de deteriorare. Se pot provoca accidente grave dacă un mâner deteriorat se rupe în timpul utilizării.

VERIFICAȚI SUPORTUL DE ACUMULATOR

Asigurați-vă că suportul de acumulator este curat, uscat și fără resturi. Resturile rămase în suportul de acumulator pot împiedica realizarea unei conexiuni electrice corespunzătoare între acumulator și foarfecele de grădină.

ACUMULATORUL

⚠ ATENȚIE: ACUMULATORUL NU CONȚINE PIESE CARE POT FI ÎNLOCUITE DE CĂTRE UTILIZATOR. NU DEZASAMBLAȚI.

Acumulatorii pe bază de litiu-ion au o durată de viață predeterminată. Dacă timpul de tăiere după fiecare încărcare scade considerabil, acumulatorul se află la sfârșitul duratei de viață utilă și trebuie înlocuit.

- Asigurați-vă că acumulatorul, inclusiv contactele, este curat, uscat și nu prezintă semne de fisurare, lovitură sau alte forme de deteriorare. Acumulatorii fisurați pot provoca incendii sau emite substanțe chimice periculoase.
- Curățați contactele murdare cu o cârpă moale, uscată. Murdăria sau uleiul pot provoca slăbirea conexiunii electrice și pierderea puterii.

ÎNCĂRCĂTORUL

- Scoateți încărcătorul din priza de curent.
- Curățați contactele murdare cu o cârpă moale, uscată.

PROBLEME FRECVENTE ȘI REZOLVAREA LOR

Folosiți acest tabel pentru a găsi posibile soluții la posibile probleme cu foarfecele de grădină. Dacă sugestiile de mai jos nu vă ajută să rezolvați problema, consultați secțiunea „Service și suport tehnic”.

SIMPTOM	CAUZA POSIBILĂ	RECOMANDĂRI
Motorul nu funcționează sau funcționează intermitent	Acumulator descărcat	Reîncărcați. Consultați secțiunea „Încărcarea acumulatorului”.
	Comutatorul mânerului anterior sau opritorul butonului accelerator nu sunt activate.	Apucați comutatorul mânerului anterior și trageți opritorul butonului accelerator înainte de a apăsa butonul accelerator. Consultați secțiunea „Pornirea foarfecelui de grădină”.
	Acumulatorul nu este introdus complet.	Împingeți acumulatorul în suportul pentru acumulator până când face clic atunci când se fixează.
	Contactele acumulatorului sunt murdare	Scoateți acumulatorul, îndepărtați resturile din suportul pentru acumulator și curățați contactele cu o cârpă curată și uscată.
	Acumulatorul este rece	Lăsați acumulatorul să atingă temperatura minimă de funcționare de 0°C (32°F).
Motorul funcționează, dar lamele de tăiere nu se mișcă	Un obiect obstrucționează mișcarea lamelor de tăiere	Consultați secțiunea „Remediarea blocajului lamelor de tăiere”.
Foarfecele de grădină nu taie bine	Acumularea de rășină obstrucționează mișcarea lamelor de tăiere	Consultați secțiunea „Îngrijirea lamei”.
	Lamele de tăiere sunt tocite	Duceți lamele de tăiere la ascuțit cu un dispozitiv profesional de ascuțit.
Acumulatorul nu se încarcă	Este activată funcția de protecție a acumulatorului în caz de temperatură prea mare/mică	Acest lucru se poate întâmpla atunci când foarfecele de grădină este folosit neîntrerupt sau expus unor temperaturi ambientale înalte. Lăsați acumulatorul să revină în intervalul acceptabil de temperatură înainte de încărcare. Consultați secțiunea „Încărcarea acumulatorului”.
	Contacte murdare sau deteriorate ale acumulatorului sau încărcătorului	Verificați atât contactele acumulatorului, cât și cele ale încărcătorului. Curățați conform descrierii din secțiunea „Întreținere și curățare”, apoi reintroduceți în încărcător și asigurați-vă că este complet introdus.
	Acumulatorul este la sfârșitul duratei de viață	Toți acumulatorii au o durată de viață limitată. Dacă acumulatorul are mai mult de doi ani sau a fost reîncărcat frecvent, poate necesita înlocuire. Înlocuiți doar cu un acumulator corespunzător acestui foarfecel de grădină.
	Încărcătorul este defect	Verificați funcționarea încărcătorului la un service autorizat.

SIMPTOM	CAUZA POSIBILĂ	RECOMANDĂRI
Timp de tăiere scăzut după fiecare încărcare	Lamele de tăiere sunt tocite	Duceți lamele de tăiere la ascuțit cu un dispozitiv profesional de ascuțit.
	Lame de tăiere uzate	Asigurați-vă că lamele de tăiere sunt înlocuite la un service autorizat.
	Lame de tăiere îndoite	Asigurați-vă că lamele de tăiere sunt înlocuite la un service autorizat.
	Tehnică de tundere necorespunzătoare	Urmați instrucțiunile din secțiunea „Tunderea obișnuită”.
	Viteză de tăiere mai mare decât este necesar	Aplicați o presiune mai mică pe butonul accelerator.
	Acumularea de rășină obstrucționează mișcarea lamelor de tăiere	Consultați secțiunea „Îngrijirea lamei”.
	Acumulatorul nu este încărcat complet	Consultați secțiunea „Încărcarea acumulatorului”.
Beculeț portocaliu care clipește pe indicator privind stadiul de încărcare.	Scurtcircuitare a încărcătorului, supracurent în încărcător, supratensiune, circuit deschis în acumulator sau eroare de încărcare/preîncărcare	<ol style="list-style-type: none"> 1. Asigurați-vă de conectarea cablului încărcătorului atât la încărcător, cât și la priza de curent. 2. Asigurați-vă că încărcătorul este conectat la tensiunea corectă. 3. Încercați alt acumulator corespunzător acestui încărcător. <p>Dacă problema persistă, verificați funcționarea încărcătorului la un service autorizat.</p>

GARANȚIE ȘI SERVICE

GARANȚIE

Blount, Inc. oferă garanție pentru toate sculele fără cablu, acumulatorii și încărcătoarele marca OREGON® timp de doi (2) ani de la data cumpărării sau timp de un (1) an în cazul folosirii în scop comercial. Această garanție limitată se aplică produselor fabricate de OREGON® Cordless Tool System. Pe perioada de garanție, Blount va înlocui sau, la alegerea sa, va repara fără costuri pentru cumpărătorul inițial orice produs sau piesă care se constată, în urma verificării de către Blount, a prezenta defecțiuni din cauza materialului și/sau manoperei. Cumpărătorul va suporta cheltuielile de transport și orice cost legat de îndepărtarea piesei solicitate a fi înlocuită pe perioada de garanție.

PĂSTRAȚI BONUL ORIGINAL

Vă rugăm să atașați bonul original primit la cumpărarea produsului la acest manual și să le puneți la păstrare. În cazul oricărei solicitări de service în garanție, vă rugăm să aduceți produsul și bonul la distribuitorul de la care ați cumpărat produsul. Sau contactați-ne cu ajutorul informațiilor oferite în secțiunea „Servicii clienți în funcție de țară”.

SERVICE ȘI SUPORT TEHNIC

Vizitați pagina noastră de internet **OregonCordless.com** pentru a obține informații privind centrul de service, sau contactați departamentul nostru de servicii clienți pentru asistență, suport tehnic suplimentar, reparații sau înlocuirea componentelor. Pentru numerele de telefon din fiecare țară, consultați secțiunea „Servicii clienți în funcție de țară”.

Din motive de siguranță, folosiți doar piese de schimb originale din fabrică pentru scula electrică. Centrul nostru de service dispune de personal calificat pentru a vă acorda în mod eficient suport și asistență în modificarea, repararea sau înlocuirea oricărui produs OREGON® Cordless Tool System.

CE - DECLARAȚIE DE CONFORMITATE

Blount International Inc. 4909 SE International Way, Portland Oregon, 97222 SUA

DECLARĂ CĂ URMĂTOARELE PRODUSE:

Foarfece de grădină cu acumulator Model(e): **HT255**

Încărcător de acumulatori C600

SUNT ÎN CONFORMITATE CU URMĂTOARELE DIRECTIVE ȘI STANDARDE EUROPENE:

DIRECTIVE CE:

DIRECTIVA MAȘINI 2006/42/CE

REPREZENTANTUL COMPANIEI:

PERSOANA DE CONTACT DOSAR
TEHNIC UE:



Kevin Cyrus
Director – Siguranța produselor &
Conformitate
Blount International Inc.
Portland OR 97222 SUA

DI. Marnix Kuypers
Blount International-Europe-S. A.
Rue Emile Francqui, 5
B 1435 Mont-Saint-Guibert
Belgia

DATA/LOCUL:

10 iulie 2012, Portland OR

OBSAH

SYMBOLY A OZNAČENIA	373
BEZPEČNOSTNÉ PRAVIDLÁ	374
VŠEOBECNÉ VAROVANIA TÝKAJÚCE SA BEZPEČNOSTI ELEKTRICKÉHO NÁSTROJA	374
BEZPEČNOSŤ NA PRACOVISKU	374
ELEKTRONICKÁ BEZPEČNOSŤ	374
OSOBNÁ BEZPEČNOSŤ	375
POUŽITIE A STAROSTLIVOSŤ O ELEKTRICKÝ NÁSTROJ	376
SERVIS	376
BEZPEČNOSTNÉ VAROVANIA TÝKAJÚCE SA KROVINOREZU	376
SKLADOVANIE, PREVOZ A LIKVIDÁCIA	377
BEZPEČNOSŤ BATÉRIÍ	378
BEZPEČNOSŤ NABÍJAČKY	379
IDENTIFIKÁCIA VÝROBKU	380
ŠPECIFIKÁCIE A SÚČASTI	381
NÁZVY A POJMY TÝKAJÚCE SA KROVINOREZU	382
PREVÁDZKA KROVINOREZU	383
ROZBALENIE	383
SÚPRAVA BATÉRIÍ A NABÍJAČKA	383
VŠEOBECNÁ PREVÁDZKA	385
OREZÁVANIE ŽIVÝCH PLOTOV	387
ÚDRŽBA A ČISTENIE	389
KROVINOREZ	389
SÚPRAVA BATÉRIÍ	390
NABÍJAČKA	390
RIEŠENIE PROBLÉMOV	391
ZÁRUKA A SERVIS	393
VYHLÁSENIE O ZHODE ES	394
ZÁKAZNÍCKY SERVIS PODĽA JEDNOTLIVÝCH KRAJÍN	418

SYMBOLY A OZNAČENIA

SYMBOL	NÁZOV	VYSVETLENIE
	KONŠTRUKCIA II. TRIEDY	OZNAČENÉ DVOJITO IZOLOVANÉ KONŠTRUKČNÉ NÁSTROJE
	SYMBOL BEZPEČNOSTNÉHO UPOZORNENIA	OZNAČUJE, ŽE NASLEDUJÚCI TEXT UPOZORŇUJE NA NEBEZPEČENSTVO, VAROVANIE ALEBO UPOZORNENIE.
	PREČÍTAJTE SI POKYNY	PÔVODNÝ NÁVOD NA POUŽITIE OBSAHUJE DÔLEŽITÉ INFORMÁCIE O BEZPEČNOSTI A PREVÁDZKE. PREČÍTAJTE SI STAROSTLIVO POKYNY A DODRŽIAVAJTE ICH.
	NOSTE OCHRANU NA OČI	PRI PREVÁDZKE KROVINOREZU POUŽÍVAJTE OCHRANU NA OČI.
	POUŽÍVAJTE OCHRANU NA RUKY.	PRI PREVÁDZKE KROVINOREZU A MANIPULÁCII S REZACÍMI ČEPEĽAMI POUŽÍVAJTE RUKAVICE.
	AKUSTICKÝ VÝKON	HLADINA AKUSTICKÉHO VÝKONU JE 74 DB.
	UCHOPENIE DVOMI RUKAMI	KROVINOREZ DRŽTE V OBIDVOCH RUKÁCH.
	UCHOPENIE JEDNOU RUKOU	KROVINOREZ NEDRŽTE LEN JEDNOU RUKOU.
	NESPAĽUJTE	NEVYSTAVUJTE PLAMEŇOM.
	NEVYHADZUJTE	NEVYHADZUJTE SPOLU S ODPADOM Z DOMÁCNOSTI. PRÍSTROJ ODOVZDAJTE AUTORIZOVANÉMU STREDISKU NA JEHO RECYKLÁCIU.
	NEVYSTAVUJTE DAŽĎU	NABÍJAČKU NEPREVÁDZKUJTE VO VLHKOM PROSTREDÍ.
	POUŽÍVAJTE JU LEN VO VNÚTRI.	URČENÉ LEN NA POUŽITIE VO VNÚTRI.
	SKONTROLUJTE NAPÁJANIE.	PRÁVIDELNE KONTROLUJTE NAPÁJANIE NABÍJAČKY A KÁBLA, ČI NIE SÚ POŠKODENÉ.
	PREVÁDZKOVÁ TEPLOTA	SÚPRAVU BATÉRIE POUŽÍVAJTE LEN PRI TEPLOTE OD 0 °C DO 40 °C (32 °F – 104 °F).
	OREZÁVACÍ NÁSTROJ	OREZÁVACÍ NÁSTROJ. NEDOTÝKAJTE SA REZACÍCH ČEPEĽÍ, KÝM NAJPRV NEDEAKTIVUJETE KROVINOREZ ODSTRÁNENÍM SÚPRAVY BATÉRIE.

ÚVOD

Tento krovínorez je určený na pravidelnú údržbu a orezávanie. Nie je určený na skracovanie vetiev hrubších ako 19 mm (¾ palca) v priemere. Iné použitie môže spôsobiť zranenie a nie je povolené.

BEZPEČNOSTNÉ PRAVIDLÁ

VŠEOBECNÉ VAROVANIA TÝKAJÚCE SA BEZPEČNOSTI ELEKTRICKÉHO NÁSTROJA

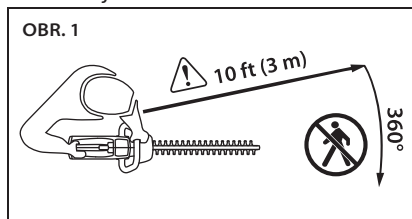
▲ VAROVANIE: PREČÍTAJTE SI, A VEZMITE NA VEDOMIE VŠETKY BEZPEČNOSTNÉ VAROVANIA A POKYNY.. V PRÍPADE NEDODRŽIAVANIA BEZPEČNOSTNÝCH VAROVANÍ A POKYNOV MÔŽE DÔJSŤ K ELEKTRICKÉMU ÚDERU, POŽIARU A/ALEBO VÁŽNEMU ZRANENIU.



ULOŽTE SI VŠETKY VAROVANIA A POKYNY PRE BUDÚCE POUŽITIE. POJEM „ELEKTRICKÝ NÁSTROJ“ VO VAROVANIACH OZNAČUJE VÁŠ ELEKTRICKÝ NÁSTROJ NAPÁJANÝ ZO ZÁSUVKY (S KÁBLOM) ALEBO BATÉRIE (BEZ KÁBLA).

BEZPEČNOSŤ NA PRACOVISKU

- Pracovisko udržiajte čisté a dobre osvetlené. Priestory, kde je málo miesta a ktoré sú tmavé, priťahujú nehody.
- Elektrické nástroje nepoužívajte vo výbušnom prostredí, ako napríklad v prítomnosti horľavých tekutín, plynov alebo prachu. Elektrické nástroje vytvárajú iskry, ktoré môžu zapáliť prach alebo výpary.
- Pri používaní elektrického nástroja dávajte pozor, aby boli deti a okolostojaci mimo dosahu (obr. 1). Nepozornosť môže spôsobiť stratu kontroly nad nástrojom.



▲ UPOZORNENIE: PRED PREVÁDZKOU TOHTO ZARIADENIA STANOVTE BEZPEČNOSTNÚ ZÓNU 3 M (10 STÔP). Okruh s polomerom 3 m (10 stôp) okolo operátora musí zostať voľný, bez okolostojacich, detí a zvierat.

ELEKTRONICKÁ BEZPEČNOSŤ

- Zástrčky elektrického nástroja musia byť vhodné so zásuvkami. Zástrčky nikdy nijakým spôsobom neupravujte. S uzemneným elektrickým nástrojom nikdy nepoužívajte adaptéry pre zástrčku. Pôvodné (neupravené) zástrčky a zodpovedajúce zásuvky znižujú riziko zásahu elektrickým prúdom.
- Vyhýbajte sa telesnému kontaktu s uzemnenými povrchmi ako sú potrubia, radiátory, batérie a chladiace zariadenia. Ak je vaše telo uzemnené, riziko elektrického výboja je vyššie.
- Nevystavujte elektrické nástroje dažďu ani vlhkým podmienkam. Ak sa do elektrického nástroja dostane voda, riziko vzniku elektrického výboja je vyššie.
- Vyhýbajte sa nesprávnemu zaobchádzaniu s káblom. Kábel nepoužívajte na nosenie, ťahanie alebo odpájanie elektrického nástroja. Nevystavujte ho teplu, oleju, ostrým hranám ani pohyblivým častiam. Poškodené alebo zamotané káble zvyšujú riziko elektrického výboja.
- Ak používate elektrický nástroj vonku, používajte predlžovací kábel vhodný na vonkajšie použitie. Použitie kábla

vhodného na vonkajšie použitie znižuje riziko vzniku elektrického výboja.

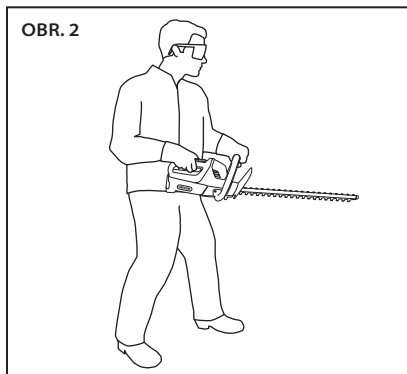
- Ak sa nedá vyhnúť použitiu elektrického nástroja vo vlhkom prostredí, použite chránené napájanie pomocou prúdového chrániča (RCD) alebo automatického ističa (GFCI). Použitie pomôcok RCD (GFCI) znižuje riziko vzniku elektrického výboja.
- Ak je kábel poškodený alebo prerezaný, okamžite ho vytriahnite zo zásuvky.

OSOBNÁ BEZPEČNOSŤ



- Dávajte pozor na to, čo robíte a pri používaní elektrického nástroja používajte zdravý úsudok. Ak ste unavený alebo pod vplyvom drog, alkoholu alebo liekov, nepoužívajte elektrický nástroj. Chvíľa nepozornosti pri prevádzke elektrického nástroja môže spôsobiť vážne telesné zranenie.
- Používajte osobné ochranné pomôcky. Vždy noste ochranu na oči. Ochranné pomôcky, ako napríklad protiprachový respirátor, bezpečnostné topánky s protišmykovou podrážkou, prilba alebo chrániče sluchu používané v primeraných podmienkach znižujú riziko osobného zranenia.
- Zabráňte neúmyselnému spusteniu nástroja. Pred pripojením nástroja k zdroju napájania alebo súprave batérií, pri jeho zodvihnutí alebo nosení skontrolujte, či je spínač vo vypnutej polohe. Nosenie elektrických nástrojov s prstom na spínači alebo aktiváciou elektrických nástrojov, ktoré majú zapnutý spínač, podnecujete možnosť vzniku nehôd.
- Pred zapnutím elektrického nástroja odstráňte akýkoľvek nastavovací kľúč. Kľúč, ktorý zostane pripojený k rotujúcim časťam elektrického nástroja, môže spôsobiť osobné zranenie.

- Neprenáhlite sa. Vždy dbajte na to, aby ste stáli pevne a mali rovnováhu (obr. 2). Získate tak lepšiu kontrolu nad elektrickým nástrojom v nečakaných situáciách.



- Noste vhodné oblečenie. Nenoste voľné oblečenie a šperky. Dbajte na to, aby ste mali vlasy, oblečenie a rukavice mimo pohybujúcich sa častí. Voľné oblečenie, šperky alebo dlhé vlasy sa môžu zachytiť do pohyblivých častí.
- Ak sú k dispozícii pomôcky na pripojenie zariadení na odsávanie prachu a jeho zachytávanie, zabezpečte, aby boli riadne pripojené a správne sa použité. Použitie zariadenia na zachytávanie prachu môže znížiť riziká súvisiace s prachom.
- Je známe, že používanie elektrických nástrojov dlhší čas môže spôsobiť poškodenie ciev, svalov alebo nervov (napríklad zbelenie prstov spôsobené vibráciami alebo Raynaudov syndróm). Na zníženie rizika zranenia postupujte podľa týchto pokynov:
 - Noste rukavice a udržiavajte ruky a telo v teple.
 - Krovínorez držte pevne, ale nevierajte ho silne dlhšiu dobu.
 - Robte si často prestávky.

Vibrácie pri normálnom použití sa môžu líšiť od uvedených hodnôt v závislosti od rezaného materiálu, údržby rezacieho systému a iných faktorov.

POUŽITIE A STAROSTLIVOSŤ O ELEKTRICKÝ NÁSTROJ

- **Nevyvíjajte nadmernú silu na elektrický nástroj. Na daný účel používajte správny elektrický nástroj.** *Použitím správneho elektrického nástroja tempom, na aké bol navrhnutý, urobíte prácu lepšie a rýchlejšie.*
- **Nepoužívajte elektrický nástroj, ak sa pomocou spínača nedá zapnúť alebo vypnúť.** *Každý elektrický nástroj, ktorý nedokáže ovládať pomocou spínača, je nebezpečný a je potrebné ho opraviť.*
- **Pred akýmikolvek úpravami, zmenou vybavenia alebo odložením elektrického nástroja odpojte kábel zo zdroja napájania a/alebo vyberte z elektrického nástroja súpravu batérií.** *Takéto preventívne bezpečnostné opatrenia znižujú riziko náhodného spustenia elektrického nástroja.*



- **Nečinné elektrické nástroje odkladajte mimo dosahu detí a nedovoľte osobám, ktoré nemajú skúsenosti s elektrickým nástrojom alebo si neprečítali tento návod na použitie, používať nástroj.** *Elektrické nástroje sú v rukách neškolených osôb nebezpečné.*
- **Vykonávajte údržbu elektrických nástrojov. Skontrolujte nesprávne nastavenie alebo upevnenie pohyblivých častí a iných stavov, ktoré môžu ovplyvniť prevádzku elektrického nástroja. V prípade poškodenia nechajte elektrický nástroj pred použitím opraviť.** *Množstvo nehôd je spôsobených nedostatočnou údržbou elektrických nástrojov.*
- **Rezacie nástroje udržiavajte ostré a čisté.** *Náležite udržiavané rezacie nástroje s ostrými rezacími hranami sa nezasekávajú tak často a ľahšie sa ovládajú.*
- **Elektrický nástroj, príslušenstvo, čepele atď. používajte v súlade s týmito pokynmi a zároveň zohľadnite pracovné podmienky a prácu, ktorá sa**

má vykonávať. *Použitie elektrického nástroja na inú prevádzku, ako je plánované použitie, môže viesť k nebezpečným situáciám.*

SERVIS

Nechajte, aby servis vášho elektrického nástroja vykonali kvalifikovaní zamestnanci len pomocou zhodných náhradných dielov. Zabezpečí sa tak zachovanie bezpečnosti elektrického nástroja.

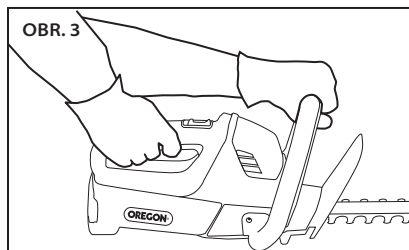
BEZPEČNOSTNÉ VAROVANIA TÝKAJÚCE SA KROVINOREZU



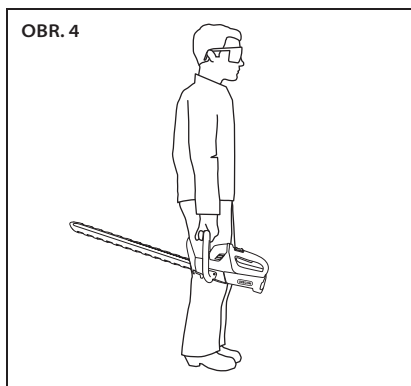
⚠ NEBEZPEČENSTVO: RUKY NEDÁVAJTE DO BLÍZKOSTI ČEPELÍ.
KONTAKT S ČEPELOU MÔŽE SPÔSOBIŤ ZÁVAŽNÉ TELESNÉ ZRANENIE.

⚠ VAROVANIE: POUŽÍVAJTE LEN S RUKOVÄŤOU A OCHRANNÝ KRYTOM, KTORÉ SÚ RIADNE UPEVNENÉ KU KROVINOREZU. *POUŽITIE KROVINOREZU BEZ PRIMERANÉHO DODÁVANÉHO OCHRANNÉHO KRYTU ALEBO RUKOVÄTE MÔŽE VIESŤ K ZÁVAŽNÉMU TELESNÉMU ZRANENIU.*

- **Pri prevádzke krovinorezu používajte obe ruky.** *Pri používaní jednej ruky môže dôjsť k strate kontroly a viesť to k závažnému telesnému zraneniu (obr. 3).*



- Dbajte na to, aby boli časti vášho tela vzdialené od rezacej čepele. Neodstraňujte orezávaný materiál ani nepridržiavajte materiál na rezanie, ak sa čepele pohybujú. Pri odstraňovaní zachyteného materiálu dbajte na to, aby bol spínač vypnutý. Po vypnutí počkajte, kým čepele dokončia pohyb. Chvilka nepozornosti pri prevádzke krovínorezu môže spôsobiť vážne telesné zranenie.
- Krovínorez noste za rukoväť s vypnutou rezacou čepelou (obr. 4). Pri prevoze alebo skladovaní krovínorezu vždy zložte kryt rezacieho zariadenia. Správna manipulácia s krovínorezom zníži možnosť telesného zranenia spôsobeného rezacími čepelami.



- Elektrický nástroj držte len za izolované časti na uchopenie, pretože pri rezacej čepeli môže dôjsť ku kontaktu so skrytými káblami. Ak sa rezacie čepele dotýkajú živého vedenia, môže dôjsť k ich kontaktu s kovovými časťami elektrického nástroja, ktoré sa môžu vďaka tomu stať vodivými a spôsobiť elektrický úder operátorovi.
- Krovínorez neobsahuje žiadne časti, ktoré by si vyžadovali servis používateľa. Výmena, servis a oprava čepele si vyžaduje odborné školenie. Kontaktné informácie nájdete v časti „Informácie týkajúce sa servisu a podpory“.

SKLADOVANIE, PREVOZ A LIKVIDÁCIA

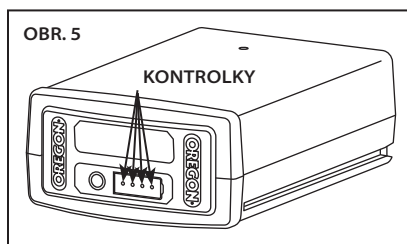
SKLADOVANIE KROVINOREZU

- Na rezacie čepele naneste mazadlo. Ďalšie informácie si pozrite v časti „Údržba a čistenie“.
- Z krovínorezu vyberte súpravu batérií.
- Krovínorez dôkladne vyčistite.
- Založte kryt čepele.
- Uchovávajte na suchom mieste.
- Udržiavajte mimo dosahu detí alebo zvierat.

SKLADOVANIE SÚPRAVY BATÉRIÍ

Pri skladovaní súpravy batérií dlhšie ako deväť mesiacov postupujte podľa týchto pokynov:

- Z krovínorezu vyberte súpravu batérií alebo nabíjačku.
- Uchovávajte na chladnom a suchom mieste.
- Udržiavajte mimo dosahu detí alebo zvierat.
- Na predĺženie životnosti batérie nikdy neskladujte súpravu batérie úplne vybitú (obr. 5).



- Skladujte pri teplote od -20°C do 30°C (od -4°F do 86°F).



SKLADOVANIE NABÍJAČKY

- Vyberte z nabíjačky súpravu batérií.
- Odpojte nabíjačku z napájania.
- Uchovávajte na suchom mieste.
- Udržujte mimo dosahu detí alebo zvierat.

Ďalšie informácie si pozrite v časti „Údržba a čistenie“.

PREVOZ KROVINOREZU

Pred prepravou pripravte krovinorez v súlade s časťou „Skladovanie krovinorezu“.

PREPRAVA SÚPRAVY BATÉRIÍ

Pri preprave lítiovo-iónových batérií dodržiavajte príslušné vnútroštátne nariadenia. Možno bude potrebné povinné označenie.

LIKVIDÁCIA KROVINOREZU A NABÍJAČKY.

Výrobky značky OREGON® sú navrhnuté a vyrobené z materiálov a súčastí vysokej kvality, ktoré možno recyklovať a opakovane používať. Po skončení životnosti výrobku by sa v súlade so smernicou 2002/95/ES mali elektrické prístroje likvidovať oddelene od odpadu z domácností. V Európskej únii existuje systém separovaného zberu na použité elektrické a elektronické produkty. Toto zariadenie odhadzujte spôsobom korektným voči životnému prostrediu v miestnom stredisku na zber odpadov zo spoločenstva alebo recyklačnom stredisku.

LIKVIDÁCIA SÚPRAVY BATÉRIÍ

Súpravu batérií neodhadzujte do bežného odpadu z domácnosti. Súpravu batérií nespálujte. Miestne agentúry na hospodárenie s odpadom a recykláciu majú informácie o primeranej likvidácii alebo recyklácii v súlade s nariadeniami o životnom prostredí.

**BEZPEČNOSŤ BATÉRIÍ**

⚠ NEBEZPEČENSTVO: NEDODRŽIAVANIE TÝCHTO BEZPEČNOSTNÝCH PRAVIDIEL MÔŽE SPÔSOBIŤ UVOĽNENIE NEBEZPEČNÝCH CHEMIKÁLIÍ ZO SÚPRAVY BATÉRIE, JEJ PREHRIATIE, UVOĽNENIE DYMU, ISKRENIE, POŽIAR, VÝBUCH A/ALEBO VZNIETENIE.

⚠ UPOZORNENIE: SÚPRAVU BATÉRIÍ NEODHADZUJTE SPOLU S ODPADOM Z DOMÁCNOSTI ALEBO DO OHŇA. SÚPRAVA LÍTIUM-IÓNOVÝCH BATÉRIÍ BY SA MALA RECYKLOVAŤ V MIESTNOM AUTORIZOVANOM STREDISKU.

⚠ UPOZORNENIE: SÚPRAVU BATÉRIÍ NEVYSTAVUJTE NADMERNEJ TEPLOTE, AKO NAPRÍKLAD INTERIÉRU VOZIDLA V HORÚCOM POČASÍ. TAKÉTO VYSTAVENIE MÔŽE SPÔSOBIŤ STRATU VÝKONNOSTI ALEBO ŽIVOTNOSTI. NEPOKÚŠAJTE SA NABÍJAŤ NENABÍJATEĽNÉ SÚPRAVY BATÉRIÍ.

- Nerozoberajte ani neupravujte súpravu batérií. Môže to poškodiť jej bezpečnostné prvky.
- Nepripájajte kladný (+) a záporný (–) koniec ku kovovým predmetom, ani neskladujte súpravu batérií s kovovými predmetmi, ako sú mince alebo skrutky. Môže dôjsť k skratu a generovať dosť vysokú teplotu na to, aby spôsobila popáleniny.
- Súpravu batérií nespálujte ani nevystavujte nadmernej horúčave. Môže dôjsť k roztopeniu izolácie alebo poškodeniu bezpečnostných prvkov.
- Nepoužívajte, nenabíjajte ani neskladujte v blízkosti zdroja tepla vyššieho ako 80 °C (176 °F). Môže dôjsť k prehriatiu a vnútornému skratovaniu.
- Nevystavujte extrémne vlhkým podmienkam. Môže dôjsť k poškodeniu

bezpečnostných prvkov, mimoriadne vysokému prúdu a napätiu a k abnormalným chemickým reakciám.

- Používajte len nabíjačku osobitne určenú pre túto súpravu batérií a dodržiavajte bezpečnostné opatrenia opísané v časti „Bezpečnosť nabíjačky“. Použitie inej nabíjačky môže spôsobiť poškodenie bezpečnostných prvkov, mimoriadne vysoký prúd a napätie a abnormalné chemické reakcie.
- Značkovú súpravu batérií OREGON® nepoužívajte v nástrojoch inej značky.
- Neudierajte súpravou batérie, neprepichujte, nevyhadzujte ju ani ju nepoužívajte v prípade, že je poškodená alebo zdeformovaná.
- Ak jej nabíjanie zlyhá, nesnažte sa ju nabíjať znovu. V prípade, že sa zo súpravy batérie uvoľňuje zápach, vysoká teplota alebo stratí farbu, prípadne bude deformovaná alebo inak abnormalná, okamžite ju odstráňte z krovinorezu alebo nabíjačky.
- Akákoľvek tekutina vytekajúca z batérie je leptavá, môže spôsobiť poškodenie zraku a kože a môže byť v prípade prehltnutia toxická.

BEZPEČNOSŤ NABÍJAČKY

DÔLEŽITÉ BEZPEČNOSTNÉ POKYNY

▲ UPOZORNENIE: TOTO ZARIADENIE NIE JE URČENÉ PRE OSOBY (VRÁTANE DETÍ) SO ZNÍŽENÝMI FYZICKÝMI, SENZORICKÝMI ČI MENTÁLNYMI SCHOPNOSŤAMI, OSOBY NEZNALÉ BEZ DOZORU ČI POUČENIA OSOBU ZODPOVEDNOU ZA ICH BEZPEČNOSŤ. NA DETI TREBA DÁVAŤ POZOR, ABY SA SO ZARIADENÍM NEHRALI.

▲ VAROVANIE: RIZIKO ELEKTRICKÉHO VÝBOJA. PRI POUŽITÍ VONKU ZAPÁJAJTE LEN DO CHRÁNENEJ ZÁSUVKY KRYTEJ GFCI TRIEDY A, KTORÁ JE VODOTESNÁ A KTOREJ BLOK NAPÁJANIA JE PRIPOJENÝ K ZÁSUVKE. AK JU NEDOSTANETE V BALENÍ, KONTAKTUJTE KVALIFIKOVANÉHO ELEKTRIKÁRA A POŽIADAJTE HO O PRIMERANÚ INŠTALÁCIU. ZABEZPEČTE, ABY BLOK NABÍJANIA A KÁBEL NEBRÁNIL ÚPLNÉMU ZATVORENIU KRYTU ZÁSUVKY.

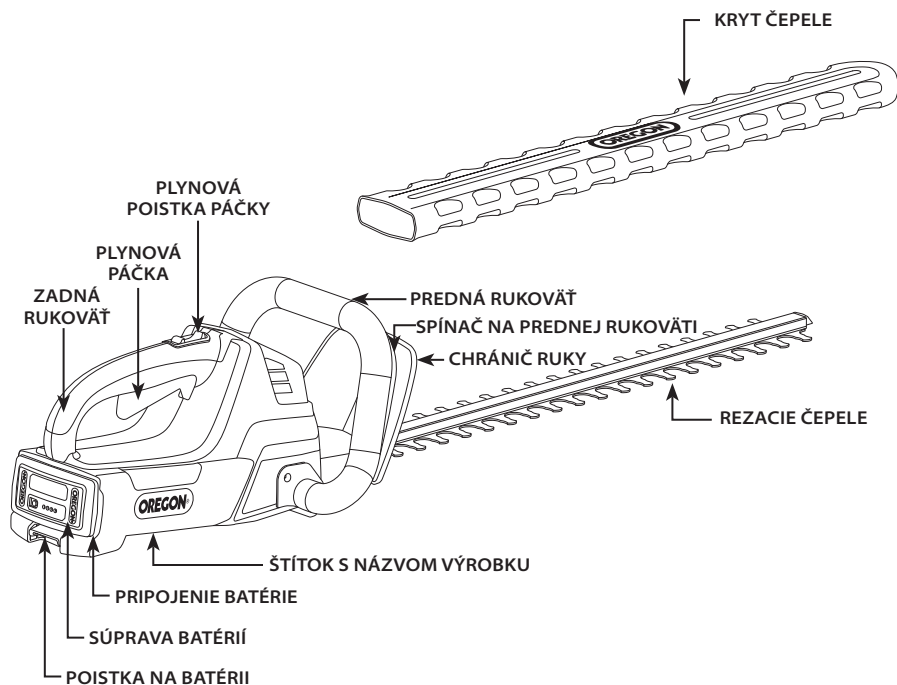
▲ UPOZORNENIE: TÚTO NABÍJAČKU POUŽÍVAJTE LEN S DODANÝM NAPÁJACÍM KÁBLOM A ZÁROVEŇ SA UISTITE, ŽE VSTUPNÁ ZÁSTRČKA ZODPOVEDÁ VÝSTUPNEJ ZÁSUVKE.

Pri používaní elektrických výrobkov je potrebné používať základné bezpečnostné opatrenia, vrátane týchto:

- Pred použitím si prečítajte pokyny týkajúce sa bezpečnosti a dodržiavajte ich. Prečítajte si a dodržiavajte pokyny týkajúce sa bezpečnosti, ktoré sú uvedené na výrobku alebo sú k nemu priložené.
- Odložte si tieto pokyny.
- Nepoužívajte predlžovací kábel.
- Vyhýbajte sa nesprávnemu zaobchádzaniu s káblom. Kábel nepoužívajte na nosenie, ťahanie alebo odpájanie elektrického nástroja. Nevystavujte ho teplu, oleju, ostrým hranám ani pohyblivým častiam. Poškodené alebo zamotané káble zvyšujú riziko vzniku elektrického výboja.
- Nabíjačku nevystavujte dažďu. Je určená len na použitie vo vnútri.
- Nepoužívajte do 3 m (10 stôp) od bazénu.
- Nepoužívajte v kúpeľni.

IDENTIFIKÁCIA VÝROBKU

ZOZNÁMTE SA S KROVINOREZOM



POZNÁMKA: Zoznam dodávaných súčastí nájdete v časti „Rozbalenie“.

ŠPECIFIKÁCIE A SÚČASTI

NÁHRADNÉ SÚČASTI		ČÍSLO DIELU
SÚPRAVA BATÉRIÍ, MODEL B400E		548206
NABÍJAČKA S KÁBLOM, MODEL C600		EU - 554933 UK - 554872 AU/NZ - 560663
NABÍJAČKA S KÁBLOM, MODEL C750		EU - 558697 UK - 558698 AU/NZ - 558699
NABÍJAČKA, MODEL C600		
PRÍKON	100 – 240 V~ 50 – 60HZ 60 W	
VÝKON	41,5 V _{max} 1,25 A	
NAPÁJACÍ KÁBEL	EU - 547383 UK - 547384 AU/NZ - 559380	
SÚPRAVA BATÉRIÍ, MODEL B400E		
HMOTNOSŤ	1,23 kg (2,72 libry)	
TYP	LÍTIUM-IÓNOVÉ	
NAPÄTIE, MENOVIÉ	+37 V JEDNOSMERNÝCH	
PREVÁDZKOVÉ TEPLoty	0 °C AŽ 40 °C (32 °F AŽ 104 °F)	
KAPACITA, MENOVIÁ	2,4 Ah / 89 Wh	
ČAS NABÍJANIA (PŘIBLIŽ.)	120 MINÚT	
KROVINOREZ		
DĹŽKA ČEPELE	600 mm (24 palcov)	
DRUH ČEPELE	OBOJSTRANNÁ ČEPEL	
MAXIMÁLNA RÝCHLOSŤ REZACEJ ČEPELE	2750 ŤAHOV ZA MINÚTU	
MAXIMÁLNY REZNÝ PRIEMER	DO 19 mm (3/4 palca)	
HMOTNOSŤ S B500E	4,4 kg (9,8 libier)	
HLADINA AKUSTICKÉHO VÝKONU	74 dB L _{WA} (K, 0,18 dB)	
VIBRÁCIE	1,16 m/s ² (K, 0,26 m/s ²)	

NÁZVY A POJMY TÝKAJÚCE SA KROVINOREZU

Bezpečná zóna pre okolostojacich:

Okruh s polomerom 3 m (10 stôp) okolo operátora musí zostať voľný, bez okolostojacich, detí a zvierat.

Chránič ruky: Mechanická zábrana medzi prednou rukoväťou krovinorezu a rezacími čepeľami.

Mladé výhonky: Najnovšie narastené časti rastliny. Vo všeobecnosti majú svetlejšiu farbu, sú menej zdrevnatené a pružnejšie ako zvyčajná časť rastliny.

Obdobie na orezávanie: Najvhodnejší čas na orezávanie krov sa líši v závislosti od druhu rastliny, vo všeobecnosti sa však uplatňuje orezávanie počas obdobia pomalého rastu, po skončení pučania. Na rady týkajúce sa orezávania konkrétnych rastlín sa opýtajte miestneho záhradníka.

Plynová páčka: Reguluje rýchlosť rezacích čepeľí.

Poistka plynovej páčky: Pohyblivá poistka, ktorá zabraňuje neúmyselnej aktivácii krovinorezu až do ručnej aktivácie.

Predná rukoväť: Podporná rukoväť nachádzajúca sa v prednej časti krovinorezu, alebo smerujúca k prednej časti krovinorezu.

Rezacie čepele: Súbor ostrých povrchov vyčnievajúcich z prednej časti krovinorezu, ktoré sa pohybujú dozadu a dopredu, čím orezávajú kry.

Rýchlosť rezania: Krovinorez má rôznu rýchlosť orezávania. Na dosiahnutie väčšej rýchlosti rezania stlačte plynovú páčku pevnejšie. Na čo najlepšie časové využitie každého nabíjania používajte len minimálnu rýchlosť rezania potrebnú na rezanie materiálu.

Spínač na prednej rukoväti: Spínač pozdĺž prednej rukoväte v tvare písmena U, ktorý zabraňuje neúmyselnému spusteniu plynovej páčky až do jej manuálnej aktivácie.

Zadná rukoväť: Podporná rukoväť, ktorá sa nachádza na zadnej časti krovinorezu alebo je otočená smerom k nej a na ktorej sa nachádza plynová páčka.

Zaseknutie čepele: Stav, keď sa rezacie čepele nepohybujú, pretože sa medzi pohybujúcimi a pevnými časťami rezacích čepeľí zachytil materiál.

PREVÁDZKA KROVINOREZU

ROZBALENIE

ČO JE V ŠKATULI?

Krovinorez sa dodáva úplne zložený. S krovinorezom sa dodávajú tieto položky:

- Krovinorez
- Kryt čepele
- Návod na použitie
- Nabíjačka a napájací kábel (ak sa dodáva)
- Batéria (ak sa dodáva)

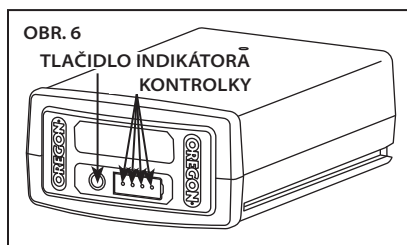
Po vybratí krovinorezu zo škatule ho dôkladne skontrolujte, aby ste sa uistili, že počas prepravy nedošlo k žiadnemu poškodeniu a nechýbajú žiadne časti. Ak sú akékoľvek časti poškodené alebo chýbajú, krovinorez nepoužívajte. Ak potrebujete náhradné diely, obráťte sa na spoločnosť OREGON® Cordless Tool System. Telefónne čísla pre konkrétnu krajinu nájdete v časti „Zákaznícky servis podľa jednotlivých krajín“.

SÚPRAVA BATÉRIÍ A NABÍJAČKA

▲ VAROVANIE: NENABÍJAJTE SÚPRAVU BATÉRIÍ V DAŽDI.

LED INDIKÁTOR ÚROVNE NABITIA SÚPRAVY BATÉRIE

Lítium-iónová súprava batérií je vybavená LED indikátorom úrovne nabitia. Na kontrolu úrovne nabitia súpravy batérií stlačte tlačidlo indikátora na prednej strane súpravy batérií (obr. 6).



Nesvieti žiadne svetlo: dobiť.

Svieti bez prerušenia jedno zelené svetlo:
nabité na menej ako 25 %.

Pred použitím dobite súpravu batérie.

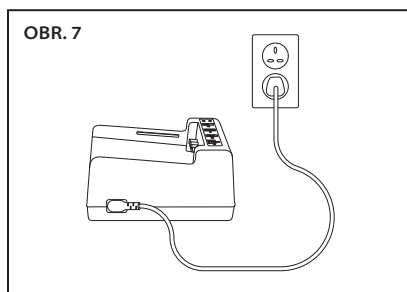
Svietia bez prerušenia dve zelené svetlá:
nabité na 26 – 50 %.

Svietia bez prerušenia tri zelené svetlá:
nabité na 51 – 75 %.

Svietia bez prerušenia štyri zelené svetlá:
nabité na 76 – 100 %.

PRIPOJENIE NABÍJAČKY

Napájací kábel zapojte do nabíjačky a príslušnej elektrickej zásuvky (obr. 7).



Používajte len súpravu kábla, ktorá sa dodáva s nabíjačkou. Pri prvom použití skontrolujte, či je zásuvka vhodného typu.

LED INDIKÁTOR NABÍJANIA

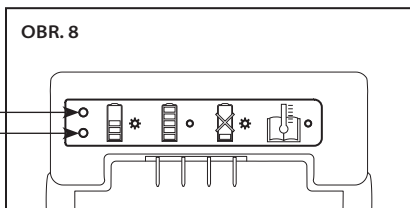
Nabíjačka batérií je vybavená LED stavovým indikátorom, ktorý vás upozorňuje na stav nabíjania, ako aj na podmienky, ktoré môžu nabíjanie oddialiť či znemožniť (obr. 8).

Poznámka: Kým nie je súprava batérií založená, nesvieti žiadne svetlo.

Bliká oranžové svetlo: nastal poruchový stav. Existuje niekoľko možných príčin. Pozrite si časť „Riešenie problémov“ v tejto príručke.

Bez prerušenia svieti oranžové svetlo: teplota súpravy batérií prekročila prijateľný rozsah (0 °C/32 °F až 40 °C/104 °F). Pred nabíjaním nechajte súpravu batérií dosiahnuť prijateľnú teplotu. Počas ustálenia teploty môže zostať súprava batérií v nabíjačke. Nabíjanie sa začne, len čo sa dosiahne vhodná teplota.

OBR. 8



Bliká zelené svetlo: súprava batérií sa nabíja.

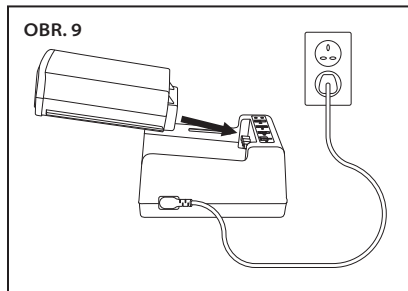
Bez prerušenia svieti zelené svetlo: súprava batérií je PRIPRAVENÁ NA POUŽITIE.

NABÍJANIE SÚPRAVY BATÉRIÍ

VAROVANIE: V PRÍPADE NEDODRŽIAVANIA SPRÁVNEHO POSTUPU PRI NABÍJANÍ MÔŽE DÔJSŤ K VYSOKÉMU NAPÄTIU, NADMERNÉMU PRŮDU, STRATE KONTROLY PRI NABÍJANÍ, ÚNIKU NEBEZPEČNÝCH CHEMIKÁLIÍ, VZNIKU TEPLA, PRASKANIU ALEBO POŽIARU.

Zastrčte kábel nabíjačky do nabíjačky a do zásuvky a zarovnajte drážky na batérii s ryhami na nabíjačke a zasunite súpravu batérií, až kým úplne nedosadne do nabíjačky (obr. 9).

OBR. 9

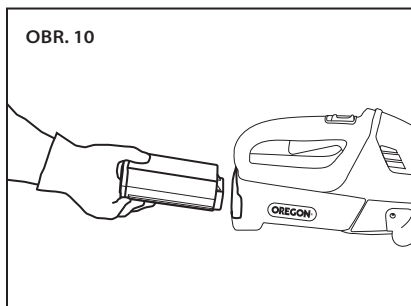


Skontrolujte stav nabitia nabíjačky na indikátore.

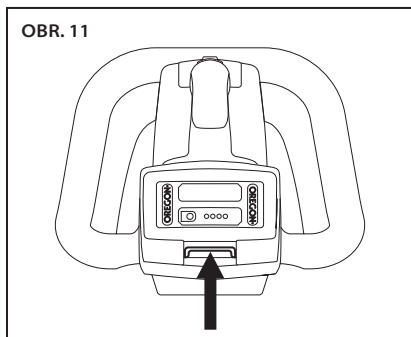
ZALOŽENIE A UVOLNENIE SÚPRAVY BATERIÍ

Používajte len súpravy batérií značky OREGON® uvedenej v tomto návode na použitie.

Zarovnajte drážky na batérii s ryhami vnútri otvoru na batériu. Pevne založte súpravu batérií do otvoru na batériu krovínorezu a zatlačte dopredu, až kým nezacvakne a nezablokuje sa na mieste (obr. 10).



Na odstránenie súpravy batérií zdvihnite poistku na batérii na jej uvoľnenie a odstráňte súpravu (obr. 11).



VŠEOBECNÁ PREVÁDZKA



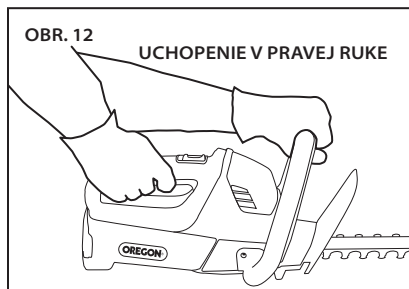
VAROVANIE: VŽDY NOSTE PRIMERANÉ RUKAVICE A OCHRANU NA OČÍ.

PREVÁDZKOVÁ TEPLOTA

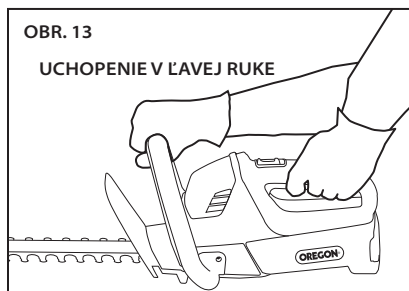
Tento krovínorez je určený na prevádzku v rozsahu teplôt od 0 °C do 40 °C (32 °F – 104 °F).

UCHOPENIE

Nástroj držte vždy v oboch rukách. Ak chcete nástroj používať v pravej ruke, umiestnite krovínorez na pevný rovný povrch, uchopte prednú rukoväť ľavou rukou a zadnú rukoväť pravou. Ohnite prsty okolo hornej časti prednej rukoväte a palec dajte odspodu (obr. 12).



Ak chcete nástroj používať v ľavej ruke, uchopte prednú rukoväť pravou rukou a zadnú rukoväť ľavou (obr. 13).



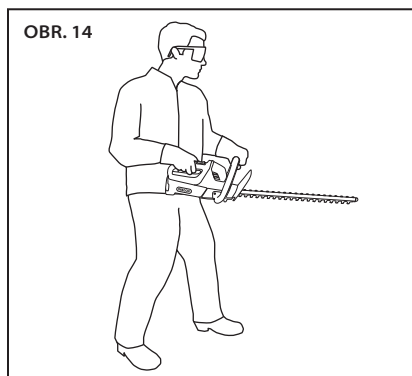
POSTOJ

Oboma nohami stojte na pevnom povrchu a váhu tela majte vyrovnanú medzi nimi.

Nenakláňajte sa ani nestojte na rebríku, stoličke ani zvýšenej polohe, ktorá nie je úplne zabezpečená.



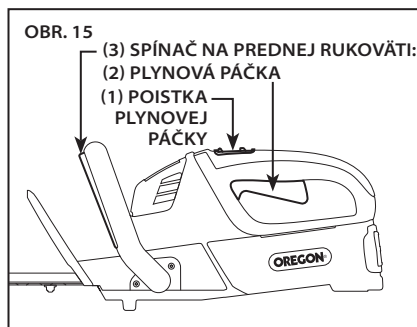
Krovinorez držte čo najbližšie k telu, aby ste mali nad ním kontrolu (obr. 14).

**ZASTAVENIE KROVINOREZU**

Uvoľnite plynovú páčku a zastavte krovinorez.

SPUSTENIE KROVINOREZU

Pevne uchopte prednú a zadnú rukoväť. Palcom potiahnite poistku plynovej páčky (1) dozadu (obr. 15). Stlačte plynovú páčku (2), až kým sa rezacie čepele nezačnú hýbať želanou rýchlosťou. Spínač na prednej rukoväti (3) je bezpečnostný prvok. Krovinorez sa nespustí, kým nebude naštartovaný.

**REGULÁCIA RÝCHLOSTI REZACEJ ČEPELE**

Plynová páčka reguluje rýchlosť, akou rotujú rezacie čepele. Na dosiahnutie väčšej rýchlosti rezania stlačte plynovú páčku pevnejšie.

Na rezanie materiálu použite najnižší potrebný tlak. Pomáha to maximalizovať čas rezania na nabitie batérie a znižuje počet potrebných nabíjaní.

OREZÁVANIE ŽIVÝCH PLOTOV

KEDY OREZÁVAŤ

Najvhodnejší čas na orezávanie krov sa líši v závislosti od druhu rastliny, vo všeobecnosti sa však uplatňuje orezávanie počas obdobia pomalého rastu, po skončení pučania. Na rady týkajúce sa orezávania konkrétnych rastlín sa opýtajte miestneho záhradníka.

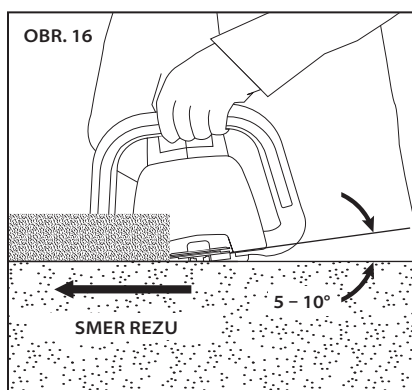
Dodržiavajte všetky príslušné vnútroštátne a miestne pravidlá a nariadenia na orezávanie krov.

ZÁKLADNÉ OREZÁVANIE

▲ VAROVANIE: PRI SPUSTENOM MOTORE DBAJTE VŽDY NA POSTOJ A KROVINOREZ DRŽTE PEVNE OBOMA RUKAMI.

Pred orezávaním skontrolujte, či živý plot neobsahuje cudzie predmety, aby ste zabránili poškodeniu čepele. Odstráňte všetky predmety, ktoré môžu prekážať v orezávaní.

Pred spustením krovínorezu odhadnite správny úchop a postoj. Krovínorez držte naklonený tak, že rezacie čepele zvierajú so smerom rezu uhol 5 – 10° (obr. 16).



DÔLEŽITÉ: PRI ZACHYTENÍ MATERIÁLU V REZACÍCH ČEPELIACH ALEBO KONTAKTE REZACÍCH ČEPELÍ S DRÔTOM ALEBO PLOTOM Z PLETIVA SA REZACIE ČEPELE NIEKEDY ZASEKNÚ A PRESTANÚ SA POHYBOVAŤ. O TOM, AKO VYRIEŠIŤ TENTO PROBLÉM, SI PREČÍTAJTE V ČASTI „UPRAVENIE ZASEKNUTEJ ČEPELE“.

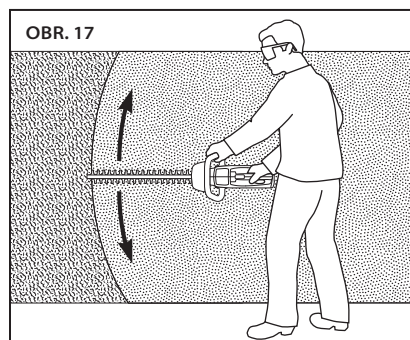
REZACIA SEKVENCIA

Ak je živý plot dobre orezaný, zamerajte sa na orezávanie novo vyrastených častí, až kým nedosiahnete želaný tvar plotu.

Po odstránení všetkých väčších vetiev použite krovínorez na orezanie bočných častí kra na želanú dĺžku. Orežte vrchnú časť živého plotu naposledy potom, ako dokončíte orezávanie bočných častí.

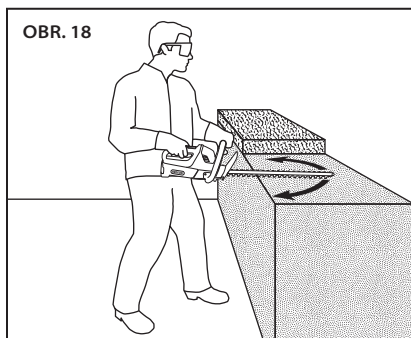
VERTIKÁLNE OREZÁVANIE

Po orezávaní bočných častí kra začnite orezávať spodnú časť. Krovínorez držte naklonený tak, že rezacie čepele zvierajú so smerom rezu uhol 5 – 10°. Pohnite sa smerom nadol pozdĺž plotu, pohybujte krovínorezom pomaly nahor a nadol v širokom oblúku (obr. 17).



HORIZONTÁLNE OREZÁVANIE

Pri orezávaní hornej časti živého plotu začnite na najbližšom okraji. Krovinorez držte naklonený tak, že rezacie čepele zvierajú so smerom rezu uhol 5 – 10°. Pohnite sa smerom nadol pozdĺž živého plotu, pohybujte krovinorezom pomaly doľava a doprava v širokom oblúku (obr. 18).



Ak je horná časť živého plotu príliš široká na rezanie jedným švihom krovinorezu, nenakláňajte sa cez plot, aby ste orezali aj zvyšok. Namiesto toho urobte jedno orezávanie z jednej strany plotu a potom orežte zvyšnú časť kra z druhej strany plotu.

NAPRAVENIE ZASEKNUTEJ ČEPELE

⚠ UPOZORNENIE: PRED ČISTENÍM REZACÍCH ČEPELÍ VŽDY VYBERTE BATÉRIU, ABY STE ZABRÁNILI NÁHODNÉMU SPUSTENIU REZACÍCH ČEPELÍ.

⚠ UPOZORNENIE: REZACIE ČEPELE SÚ OSTRÉ. PRI ODSTRÁŇOVANÍ MATERIÁLU Z REZACÍCH ČEPELÍ NOSTE VŽDY RUKAVICE.

Niekedy sa pri orezávaní pružných "zelených" vetiev zachytia odrezky medzi pohybujúce sa časti rezacích čepelí a pevnej časti. Keď k tomu dôjde, rezacie čepele sa môžu náhle zastaviť. Môže k tomu dôjsť aj pri kontakte rezacích čepelí s materiálom, ktorý je príliš odolný na prerezanie, ako napríklad plot z pletiva. Tento stav sa nazýva zaseknutie čepele.

Na bezpečné a účinné uvoľnenie materiálu postupujte podľa pokynov.

- Noste rukavice.
- Z krovinorezu vyberte súpravu batérií. Pozrite si časť „Odstraňovanie súpravy batérií“.
- Odstráňte materiál, ktorý bráni rezacím čepeliam v pohybe.

ÚDRŽBA A ČISTENIE

KROVINOREZ

⚠ VAROVANIE: SKONTROLUJTE KROVINOREZ. PRAVIDELNÁ KONTROLA JE PRVÝM KROKOM K RIADNEJ ÚDRŽBE. NA DOSIAHNUTIE MAXIMÁLNEJ BEZPEČNOSTI A SPOKOJNOSTI POSTUPOJTE PODĽA NASLEDUJÚCICH POKYNOV. ZABEZPEČTE OKAMŽITÚ VÝMENU POŠKODENÝCH A NADMERNE OPOTREBOVANÝCH ČASTÍ. AK SA VÁM NEPODARÍ URČIŤ A VYMENIŤ POŠKODENÉ ALEBO OPOTREBOVANÉ ČASTI, MÔŽE DÔJSŤ K ZÁVAŽNÉMU TELESNÉMU ZRANENIU.

⚠ VAROVANIE: PRED KONTROLOU, ČISTENÍM ALEBO VYKONÁVANÍM ÚDRŽBY VYBERTE SÚPRAVU BATÉRIÍ Z KROVINOREZU. NÁSTROJ NAPÁJANÝ Z BATÉRIE, V KTOROM JE SÚPRAVA BATÉRIÍ STÁLE VLOŽENÁ VO VNÚTRI, JE VŽDY ZAPNUTÝ A MÔŽE SA NEÚMYSELNE SPUSTIŤ.

⚠ UPOZORNENIE: KROVINOREZ NEPONÁRAJTE PRI ČISTENÍ DO VODY ANI INÝCH TEKUTÍN.

VYČISTITE KROVINOREZ.

- Poutierajte prach, listy a odrezky z krovinorezu.
- Na zabezpečenie primeraného prúdenia vzduchu a zabránenie prehriatia vyčistite vzduchové ventily.
- Poutierajte hnciu časť s čistou handričkou namočenou v slabom čistiacom prostriedku a vode.
- Nikdy nepoužívajte abrazívne čistiace prostriedky alebo rozpúšťadlá.

SKONTROLUJTE REZACIE ČEPELE.

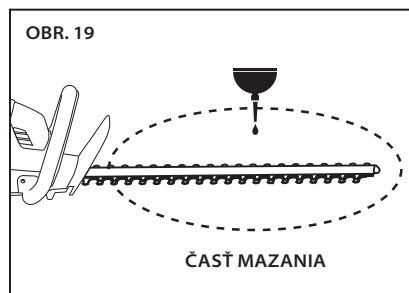
Skontrolujte, či sú rezacie čepele ostré, nie sú vyštrbené ani nemajú tupé hrany, a či sa pri používaní krovinorezu nezachytávajú. Pravidelne zabrusujte vyštrbené časti a drsné okraje čepelí, aby ste zabezpečili voľný pohyb. S ostrými

a ľahko sa pohybujúcim čepeľami sa orezáva jednoduchšie ako s tupými alebo zachytávacími sa čepeľami.

STAROSTLIVOSŤ O ČEPELE

Pri orezávaní krov s veľkým množstvom živice alebo v prašnom prostredí môže niekedy nahromadená živica alebo prach spôsobiť zachytenie čepele. Na zabránenie takémuto zachyteniu vyčistite čepele tenkým povlakom tekutého silikónového mazadla len na mazacej časti rezacích čepelí (obr. 19) a na chvíľu pustite čepele, aby ste zabezpečili rovnomerné rozdelenie mazadla.

DÔLEŽITÉ: DÁVAJTE POZOR, ABY SA MAZADLO NEDOSTALO DO VNÚTRA KROVINOREZU. NIKDY NEPOUŽÍVAJTE ROZPÚŠŤADLÁ NA MASTNOTY ANI AEROSÓLOVÉ VYTESŇOVAČE VODY. MAZANIE NEPREHÁŇAJTE.



SKONTROLUJTE OCHRANNÝ KRYT HROTU.

Ak je nasadený ochranný kryt hrotu, skontrolujte, či nie je ohnutý alebo zlomený. Ohnutý kryt hrotu môže zabraňovať rezacím čepeľiam vo voľnom pohybe. Ak je kryt hrotu ohnutý alebo zlomený, nechajte si ho vymeniť v autorizovanom servisnom stredisku.

ZALOŽTE KRYT ČEPELE

Nasuňte kryt čepele cez rezacie čepele, vďaka čomu ich udržíte čisté a zabránite poraneniu alebo porezaniu ľudí alebo predmetov.

SKONTROLUJTE RUKOVÄTE

Uistite sa, že predná aj zadná rukoväť sú čisté, suché a nie sú na nich pukliny alebo nie sú inak poškodené. Pri zlomení poškodenej rukoväte počas jej používania môže dôjsť k vážnemu telesnému zraneniu.

SKONTROLUJTE OTVOR NA BATÉRIE

Uistite sa, že otvor na batérie je čistý, suchý a nie sú v ňom zvyšky nečistôt. Zvyšky nečistôt môžu byť prekážkou dobrého elektrického spojenia medzi súpravou batérie a krovinorezom.

SÚPRAVA BATÉRIÍ

⚠ VAROVANIE: BATÉRIA NEODSAHUJE ŽIADNE DIELY, KTORÉ BY SI VYŽADOVALI SERVIS POUŽÍVATEĽA. NEROZOBERAJTE JU.

Lítiovo-iónové batérie majú predurčenú životnosť. Ak sa čas rezania na jedno nabitie výrazne skrúti, blíži sa koniec životnosti súpravy batérií a mala by sa vymeniť.

- Skontrolujte, či je súprava batérií vrátane kontaktov čistá, suchá a nemá žiadne známky prepichnutia, pádu alebo iného poškodenia. Zlomené batérie môžu spôsobiť požiar alebo sa z nich môžu uvoľňovať nebezpečné chemikálie.
- Vyčistite špinavé kontakty jemnou suchou handričkou. Špina alebo olej môžu spôsobiť slabé elektrické spojenie, čo môže viesť k strate výkonu.

NABÍJAČKA

- Odpojte nabíjačku z elektrickej zásuvky.
- Vyčistite špinavé kontakty jemnou suchou handričkou.

RIEŠENIE PROBLÉMOV

Túto tabuľku použite na zistenie možných riešení potenciálnych problémov s krovínorezom. Ak tieto rady nepomôžu vyriešiť problém, pozrite si časť „Informácie o podpore a servise“.

PRÍZNAK	MOŽNÁ PRÍČINA	ODPORÚČANÉ KROKY
Motor nefunguje alebo funguje prerušovane.	Batéria je vybitá.	Nabite ju. Pozrite si časť „Nabíjanie súpravy batérií“.
	Spínač na prednej rukoväti alebo poistky plynovej páčky sa neaktivuje.	Uchopte spínač na prednej rukoväti a pred stlačením plynovej páčky potiahnite dozadu poistku plynovej páčky. Pozrite si časť „Spustenie krovínorezu“
	Súprava batérií nie je úplne zasunutá.	Zatlačte súpravu batérií do otvoru na batérie, až kým na mieste nezacvakne.
	Kontakty batérie sú špinavé.	Vyberte súpravu batérií, odstráňte zvyšky nečistôt z otvoru na batérie a vyčistite kontakty čistou a suchou handričkou.
	Súprava batérií je studená.	Nechajte súpravu batérií zahriať sa na minimálnu prevádzkovú teplotu 0 °C (32°F).
Motor je zapnutý, no rezacie čepele sa nepohybujú.	Predmet brániaci v pohybe rezacej čepele	Pozrite si časť „Upravenie zaseknutej čepele“.
Krovínorez neorezáva správne.	Nahromadenie živice, ktoré bráni v pohybe rezacej čepele	Pozrite si časť „Starostlivosť o čepele“.
	Rezacie čepele sú tupé.	Nechajte si odborné naostriť rezacie čepele.
Súprava batérií sa nenabíja.	Je zapnutá ochrana pred nízkou/vysokou teplotou súpravy batérie.	Môže k tomu dôjsť v prípade, že sa krovínorez používa nepretržite alebo je vystavený vysokej teplote okolitého prostredia. Pred nabíjaním nechajte súpravu batérií dosiahnuť prijateľnú teplotu. Pozrite si časť „Nabíjanie súpravy batérií“.
	Znečistené alebo poškodené kontakty súpravy batérií alebo nabíjačky	Skontrolujte kontakty súpravy batérií aj nabíjačky. Vyčistite ich podľa popisu v časti „Údržba a čistenie“ a potom ich znovu vložte do nabíjačky a skontrolujte, či dosadajú správne.
	Končí sa životnosť súpravy batérií.	Všetky batérie majú obmedzenú životnosť. Ak je súprava batérií staršia ako dva roky alebo bola často dobíjaná, možno je čas vymeniť ju. Vymeňte ju len za súpravu batérií uvedené pre tento krovínorez.
	Chyba nabíjačky	Zabezpečte kontrolu funkcie v autorizovanom stredisku.

PRÍZNAK	MOŽNÁ PRÍČINA	ODPORUČANÉ KROKY
Krátky čas rezania na jedno nabitie batérie	Rezacie čepele sú tupé.	Nechajte si odbornou naosťiť rezacie čepele.
	Opotrebované rezacie čepele	Nechajte si rezacie čepele vymeniť v autorizovanom servisnom stredisku.
	Ohnuté rezacie čepele	Nechajte si rezacie čepele vymeniť v autorizovanom servisnom stredisku.
	Nevhodná technika rezania.	Postupujte podľa pokynov v časti „Základné orezávanie“.
	Vyššia rýchlosť orezávania ako je potrebné	Plynovú páčku tlačte menším tlakom.
	Nahromadenie živice, ktoré bráni v pohybe rezacej čepele	Pozrite si časť „Starostlivosť o čepele“.
	Súprava batérií nie je úplne nabitá.	Pozrite si časť „Nabíjanie súpravy batérií“.
Blikajúce oranžové svetlo na indikátore stavu nabitia	Skrat v nabíjačke, nadprúd v nabíjačke, limit prepätia, otvorený okruh súpravy batérií alebo chyba časového odpojenia nabíjania/ prípravného nabíjania	<ol style="list-style-type: none"> 1. Skontrolujte, či je kábel nabíjačky pripojený do nabíjačky aj elektrickej zásuvky. 2. Skontrolujte správnosť napájacieho napätia nabíjačky. 3. Vyskúšajte inú súpravu batérií určenú pre túto nabíjačku. <p>Ak sa vám problém nepodarí takto vyriešiť, zabezpečte kontrolu funkcie v autorizovanom stredisku.</p>

ZÁRUKA A SERVIS

ZÁRUKA

Spoločnosť Blount, Inc. poskytuje na všetky registrované bezšnúrové nástroje, súpravy batérií a nabíjačky značky OREGON® dvojročnú (2) záruku počínajúc dátumom pôvodného nákupu a jednoročnú (1) záruku, ak sa používajú komerčne. Táto obmedzená záruka sa vzťahuje na výrobky spoločnosti OREGON® Cordless Tool System. Počas záručnej doby spoločnosť Blount vymení alebo v prípade možnosti opraví zdarma ktorýkoľvek výrobok či diel, na ktorom zistí chybu materiálu/spracovania, len pre pôvodného zákazníka. Zákazník znáša náklady na prepravu a tiež všetky náklady spojené z vymontovaním dielu zaslaného na výmenu v rámci tejto záruky.

ODLOŽTE SI ORIGINÁLNE POTVRDENIE O ZAPLATENÍ.

Priložte si originálne potvrdenie o zaplatení z prvého nákupu k tomuto návodu a odložte si ho. V prípade potreby záručného servisu si zoberte tento výrobok a potvrdenie o zaplatení k predajcovi, kde bol výrobok kúpený, Alebo nás kontaktujte prostredníctvom informácií uvedených v časti „Zákaznícky servis podľa jednotlivých krajín“.

INFORMÁCIE O SERVISE A PODPORE

V prípade potreby pomoci, ďalších technických rád, opravy alebo náhradných dielov si pozrite informácie o servisnom stredisku na našej webovej stránke **OregonCordless.com** alebo kontaktujte naše oddelenie služieb zákazníkom. Telefónne čísla pre konkrétnu krajinu nájdete v časti „Zákaznícky servis podľa jednotlivých krajín“.

Z bezpečnostných dôvodov používajte len originálne náhradné diely pre elektrický nástroj. V našom servisnom stredisku pracujú školení zamestnanci, ktorí vám poskytnú účinnú pomoc a podporu s úpravou, opravou alebo výmenou všetkých výrobkov spoločnosti OREGON® Cordless Tool System.

VYHLÁSENIE O ZHODE ES

Blount International Inc. 4909 SE International Way, Portland Oregon, 97222 USA

VYHLASUJE, ŽE NASLEDUJÚCE VÝROBKY:

batériový krovinorez model(y):

HT255,

C600 nabíjačka batérií

SÚ V SÚLADE S NASLEDUJÚCIMI SMERNICAMI A NORMAMI EURÓPSKEJ ÚNIE:

SMERNICE ES:

SMERNICA 2006/42/EC O STROJOVÝCH
ZARIADENIACH.

ZÁSTUPCA SPOLOČNOSTI:

**KONTAKTNÝ SUBJEKT PRE TECHNICKÝ
SÚBOR EÚ:**



Kevin Cyrus
Manager – Product Safety & Compliance
Blount International Inc.
Portland OR 97222 USA

Marnix Kuypers
Blount International-Europe-S. A.
Rue Emile Francqui, 5
B 1435 Mont-Saint-Guibert
Belgicko

DÁTUM/MIESTO:

10. júla 2012, Portland OR

ЗМІСТ

СИМВОЛИ ТА ПОЗНАЧКИ	396
ПРАВИЛА БЕЗПЕКИ.	397
ЗАГАЛЬНІ ЗАСТЕРЕЖЕННЯ З БЕЗПЕКИ ПІД ЧАС РОБОТИ З ЕЛЕКТРОІНСТРУМЕНТАМИ	397
БЕЗПЕКА РОБОЧОГО МІСЦЯ	397
ЕЛЕКТРИЧНА БЕЗПЕКА	397
ОСОБИСТА БЕЗПЕКА	398
ВИКОРИСТАННЯ АКУМУЛЯТОРНОЇ БАТАРЕЇ ТА ДОГЛЯД ЗА НЕЮ.	399
ОБСЛУГОВУВАННЯ.	399
ПОПЕРЕДЖЕННЯ ЩОДО БЕЗПЕКИ ШПАЛЕРНИХ НОЖИЦЬ	399
ЗБЕРІГАННЯ, ТРАНСПОРТУВАННЯ ТА УТИЛІЗАЦІЯ	400
БЕЗПЕКА АКУМУЛЯТОРНОЇ БАТАРЕЇ.	401
БЕЗПЕКА ЗАРЯДНОГО ПРИСТРОЮ	402
ІДЕНТИФІКАЦІЯ ПРОДУКТУ.	403
СПЕЦИФІКАЦІЇ ТА КОМПОНЕНТИ	404
ПОНЯТТЯ ТА ТЕРМІНИ ДЛЯ ШПАЛЕРНИХ НОЖИЦЬ	405
ЕКСПЛУАТАЦІЯ ШПАЛЕРНИХ НОЖИЦЬ	406
РОЗПАКУВАННЯ.	406
АКУМУЛЯТОРНА БАТАРЕЯ ТА ЗАРЯДНИЙ ПРИСТРІЙ . .	406
ЗАГАЛЬНІ ІНСТРУКЦІЇ ЩОДО ЕКСПЛУАТАЦІЇ.	408
ОБРИЗАННЯ ЖИВОПЛОТУ	410
ТЕХНІЧНЕ ОБСЛУГОВУВАННЯ ТА ОЧИЩЕННЯ	412
ШПАЛЕРНІ НОЖИЦІ	412
АКУМУЛЯТОРНА БАТАРЕЯ.	413
ЗАРЯДНИЙ ПРИСТРІЙ.	413
УСУНЕННЯ НЕСПРАВНОСТЕЙ	414
ГАРАНТІЯ ТА СЕРВІСНЕ ОБСЛУГОВУВАННЯ.	416
ЄС - ДЕКЛАРАЦІЯ ПРО ВІДПОВІДНІСТЬ.	417
ТЕХНІЧНЕ ОБСЛУГОВУВАННЯ ПО КРАЇНАХ	418

СИМВОЛИ ТА ПОЗНАЧКИ

СИМВОЛ	НАЗВА	ПОЯСНЕННЯ
	КЛАС БЕЗПЕКИ II	СПЕЦІАЛЬНІ ІНСТРУМЕНТИ З ПОДВІЙНОЮ ІЗОЛЯЦІЄЮ
	СИМВОЛ ПОПЕРЕДЖЕННЯ ЩОДО БЕЗПЕКИ	ВКАЗУЄ НА ТЕ, ЩО ТЕКСТ ПІСЛЯ СИМВОЛУ ПОЯСНЮЄ НЕБЕЗПЕКУ, ПОПЕРЕДЖАЄ АБО ЗАСТЕРІГАЄ.
	ПРОЧИТАЙТЕ ІНСТРУКЦІЇ	ОРИГІНАЛЬНА ІНСТРУКЦІЯ З ЕКСПЛУАТАЦІЇ МІСТИТЬ ВАЖЛИВУ ІНФОРМАЦІЮ ЩОДО БЕЗПЕКИ ТА ЕКСПЛУАТАЦІЇ. УВАЖНО ПРОЧИТАЙТЕ ТА ВИКОНУЙТЕ ЦІ ІНСТРУКЦІЇ.
	НАДЯГАЙТЕ ЗАХИСНІ ОКУЛЯРИ	НАДЯГАЙТЕ ЗАХИСНІ ОКУЛЯРИ ПІД ЧАС РОБОТИ ЗІ ШПАЛЕРНИМИ НОЖИЦЯМИ.
	НАДЯГАЙТЕ ЗАХИСНІ РУКАВИЦІ	НАДЯГАЙТЕ ЗАХИСНІ РУКАВИЦІ ПІД ЧАС РОБОТИ ЗІ ШПАЛЕРНИМИ НОЖИЦЯМИ ТА ЛЕЗАМИ.
	ПОТУЖНІСТЬ ЗВУКУ	РІВЕНЬ ПОТУЖНОСТІ ЗВУКУ СКЛАДАЄ 74 ДБ.
	ТРИМАТИ ДВОМА РУКАМИ	ТРИМАЙТЕ ШПАЛЕРНІ НОЖИЦІ ДВОМА РУКАМИ.
	ТРИМАТИ ОДНІЄЮ РУКОЮ	НЕ ТРИМАЙТЕ ШПАЛЕРНІ НОЖИЦІ ОДНІЄЮ РУКОЮ.
	НЕ СПАЛЮВАТИ	НЕ ВИКИДАЙТЕ В ПОЛУМ'Я.
	НЕ ВИКИДАТИ	НЕ ВИКИДАЙТЕ У ПОБУТОВЕ СМІТТЯ. ЗВЕРНІТЬСЯ ДО АВТОРИЗОВАНОГО ПЕРЕРОБНИКА.
	НЕ ЗАЛИШАТИ ПІД ДОЩЕМ	НЕ ВИКОРИСТОВУЙТЕ ЗАРЯДНИЙ ПРИСТРІЙ У ВОЛОГОМУ СЕРЕДОВИЩІ.
	ВИКОРИСТОВУВАТИ ТІЛЬКИ У ПРИМІЩЕННІ	ПРИЗНАЧЕНО ТІЛЬКИ ДЛЯ ВИКОРИСТАННЯ У ПРИМІЩЕННІ.
	ПЕРЕВІРТЕ ДЖЕРЕЛО ЖИВЛЕННЯ	РЕГУЛЯРНО ПЕРЕВІРЯЙТЕ ДЖЕРЕЛО ЖИВЛЕННЯ ТА КАБЕЛЬ ЖИВЛЕННЯ ЗАРЯДНОГО ПРИСТРОЮ НА НАЯВНІСТЬ ПОШКОДЖЕНЬ.
	РОБОЧА ТЕМПЕРАТУРА	ВИКОРИСТОВУЙТЕ АКУМУЛЯТОРНУ БАТАРЕЮ ТІЛЬКИ ЗА ТЕМПЕРАТУРИ ВІД 0 °C ДО 40 °C (ВІД 32 °F ДО 104 °F).
	РІЖУЧИЙ ІНСТРУМЕНТ	РІЖУЧИЙ ІНСТРУМЕНТ. НЕ ТОРКАЙТЕСЯ РІЖУЧИХ ЛЕЗ, ЯКЩО ШПАЛЕРНІ НОЖИЦІ НЕ ВИМКНУТО (ВИЙМІТЬ АКУМУЛЯТОРНУ БАТАРЕЮ).

ВСТУП

Ці шпалерні ножиці призначені для регулярного догляду та підрізання. Вони не призначені для зрізання гілок діаметром більше 19 мм (¾ дюйма). Використання не за призначенням забороняється та може призвести до поранення.

ПРАВИЛА БЕЗПЕКИ

ЗАГАЛЬНІ ЗАСТЕРЕЖЕННЯ З БЕЗПЕКИ ПІД ЧАС РОБОТИ З ЕЛЕКТРОІНСТРУМЕНТАМИ

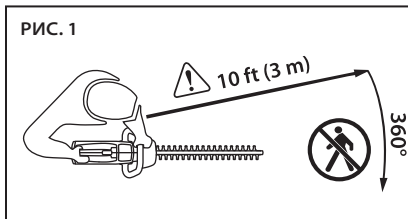
▲ ПОПЕРЕДЖЕННЯ: ПРОЧИТАЙТЕ ТА ЗРОЗУМІЙТЕ ВСІ ПОПЕРЕДЖЕННЯ ЩОДО БЕЗПЕКИ, А ТАКОЖ УСІ ІНСТРУКЦІЇ. НЕДОТРИМАННЯ ПОПЕРЕДЖЕНЬ ТА ІНСТРУКЦІЙ МОЖЕ ПРИЗВЕСТИ ДО УРАЖЕННЯ ЕЛЕКТРИЧНИМ СТРУМОМ, ПОЖЕЖИ ТА/АБО СЕРЬОЗНИХ ТРАВМ.



ЗБЕРІГАЙТЕ ВСІ ПОПЕРЕДЖЕННЯ ТА ІНСТРУКЦІЇ, ЩОБ ЗВЕРТАТИСЯ ДО НИХ У МАЙБУТЬОМУ. ТЕРМІН «ЕЛЕКТРОІНСТРУМЕНТ» У ПОПЕРЕДЖЕННЯХ ОЗНАЧАЄ ВАШ ІНСТРУМЕНТ З ЕЛЕКТРИЧНИМ ПРИВОДОМ, ЩО ЖИВИТЬСЯ ВІД МЕРЕЖІ (ПРОВІДНИЙ), АБО ІНСТРУМЕНТ З ЕЛЕКТРИЧНИМ ПРИВОДОМ, ЩО ЖИВИТЬСЯ ВІД БАТАРЕЇ (БЕЗПРОВІДНИЙ).

БЕЗПЕКА РОБОЧОГО МІСЦЯ

- Працюйте в чистому та освітленому робочому місці. У засмічених або темних місцях часто трапляються нещасні випадки.
- Не використовуйте електроінструменти у вибухонебезпечному середовищі, наприклад, поруч із легкозаймистими рідинами, газами чи пилом.
Електроінструменти продукують іскри, які можуть призвести до займання пилу та парів.
- Не працюйте з електроінструментом, якщо в робочій зоні є діти чи сторонні спостерігачі (рис. 1). Відволікаючись, ви можете втратити контроль над електроінструментом.



▲ УВАГА: ОБЛАШТУЙТЕ ЗОНУ БЕЗПЕКИ ДЛЯ СТОРОННІХ СПОСТЕРІГАЧІВ РАДІУСОМ У 3 М (10 ФУТІВ) ПЕРЕД ЕКСПЛУАТАЦІЄЮ ЦЬОГО ОБЛАДНАННЯ.

Зона безпеки для сторонніх спостерігачів – це ділянка радіусом у 3 м (10 футів) навколо оператора, в якій не повинно бути спостерігачів, дітей і домашніх тварин.

ЕЛЕКТРИЧНА БЕЗПЕКА

- Штепсели електроінструментів мають відповідати розетці. Не модифікуйте штепсель у жодний спосіб. Не використовуйте жодних адаптерів-перехідників з електроінструментом, оснащеним системою захисного заземлення. Використання немодифікованих штепселів і відповідних розеток знижує ризик ураження електричним струмом.
- Уникайте фізичного контакту із заземленими поверхнями, такими як труби, радіатори, батареї та холодильники. Якщо ваше тіло заземлене, існує підвищений ризик ураження електричним струмом.
- Не залишайте електроінструменти під дощем або у вологому середовищі. Вода, що потрапила в електроінструмент, підвищить ризик ураження електричним струмом.
- Використовуйте кабель живлення лише за призначенням. Ніколи не використовуйте кабель живлення для перенесення, підтягування або відключення електроінструмента від мережі живлення. Стежте за тим, щоб кабель живлення не торкався гарячих поверхонь, жирів, гострих країв або рухомих деталей.
Використання пошкоджених або заплутаних кабелів живлення підвищує ризик ураження електричним струмом.
- Під час роботи з електроінструментом на вулиці використовуйте подовжувач, що призначений для використання на вулиці. Використання кабелю живлення, що підходить для роботи на вулиці, знижує ризик ураження електричним струмом.

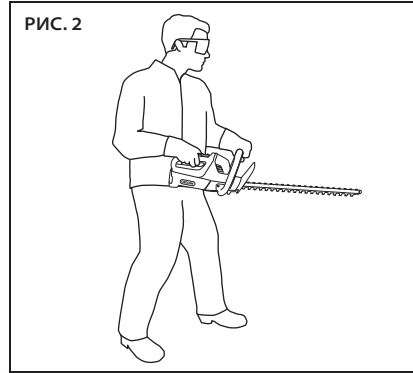
- Якщо Вам доводиться використовувати електроінструмент у вологих умовах, користуйтеся джерелом живлення, захищеним пристроєм захисного відключення (ПЗВ) або вимикачем системи при короткому замиканні на землю (ВКЗЗ). Застосування ПЗВ (ВКЗЗ) знижує ризик ураження електричним струмом.
- Якщо кабель живлення пошкоджений або обрізаний, негайно витягніть штепсель із джерела живлення.

ОСОБИСТА БЕЗПЕКА



- Стежте за своїми діями, будьте уважні та обережні під час роботи з електроінструментом. Не користуйтеся електроінструментом, якщо ви втомлені чи перебуваєте під впливом наркотиків, алкоголю чи лікарських засобів. Навіть короточасна втрата уваги під час роботи з електроінструментами може призвести до серйозної травми.
- Використовуйте засоби індивідуального захисту. Завжди надягайте захисні окуляри. Засоби індивідуального захисту, такі як респіратори, неслизьке взуття для безпечної роботи, каски або засоби захисту органів слуху (відповідно до робочих умов), знизять ризик травм.
- Не допускайте випадкового запуску. Перш ніж підключати інструмент до джерела живлення та/або акумуляторної батареї, брати його до рук або переносити, переконайтеся, що перемикач розташований у положенні «Вимк.». Перенесення електроінструментів, утримуючи палець на перемикачі, або підключення їх до джерела живлення, коли перемикач знаходиться у положенні «Увімк.», може призвести до нещасних випадків.
- Перед увімкненням інструмента приберіть усі регульовальні чи гайкові ключі. Ключі, що залишилися приєднані до рухомої частини електроінструмента, можуть спричинити травму.

- Не дотягуйте до цілі. Завжди підтримуйте стійку позицію та рівновагу (рис. 2). Це дозволить краще контролювати інструмент у непередбачуваних ситуаціях.



- Одягайтеся відповідно. Не надягайте просторий одяг чи прикраси. Приберіть волосся та не торкайтеся одягом і рукавицями рухомих частин. Просторий одяг, прикраси та розпущене волосся можуть потрапити до рухомих деталей.
- Якщо є прилади, призначені для під'єднання пиловловлювачів і пилозбірників, переконайтеся, що вони під'єднані та використовуються правильно. Використання пиловловлювачів може знизити ризики, пов'язані з пилом.
- Відомо, що тривале використання електроінструментів спричиняє порушення діяльності серцево-судинної системи, м'язів або неврологічні розлади (такі як віброхвороба або синдром Рейно). Щоб знизити ризик отримання травм, дотримуйтеся таких інструкцій:
 - Надягайте рукавиці та стежте, щоб руки та тіло були теплими.
 - Міцно тримайте шпалерні ножниці, але не докладайте тривалого надмірного тиску.
 - Робіть часті перерви.

Вібрація за нормальних умов експлуатації може відрізнятися від вказаних величин залежно від матеріалу, що зрізається, технічного обслуговування ріжучої системи та інших факторів.

ВИКОРИСТАННЯ ТА ОБСЛУГОВУВАННЯ ЕЛЕКТРОІНСТРУМЕНТА

- Не перенавантажуйте електроінструмент. Використовуйте відповідний електроінструмент, призначений для виконання необхідних Вам робіт. Правильно підібраний електроінструмент допоможе зробити роботу краще та безпечніше із продуктивністю, для якої його було спроектовано.
- Не використовуйте електроінструмент, якщо перемикач не працює. Будь-який електроінструмент, що не контролюється перемикачем, небезпечний, і його потрібно ремонтувати.
- Від'єднайте штепсель від джерела живлення та/або акумуляторної батареї перед будь-яким регулюванням, заміною деталей чи підготовкою електроінструмента до зберігання. Такі запобіжні заходи безпеки знижують ризик випадкового ввімкнення електроінструмента.



- Зберігайте електроінструменти, що не використовуються, у недоступному для дітей місці, крім того, та не дозволяйте використовувати електроінструменти особам, які не вміють ними користуватися або не ознайомилися з цими інструкціями. Електроінструменти небезпечні, якщо ними користуються ненавчені особи.
- Підтримуйте робочий стан електроінструментів. Переконайтеся, що рухомі частини не змістилися та не застрягають, немає поламаних деталей чи інших факторів, які можуть негативно вплинути на роботу електроінструмента. Якщо є несправність, електроінструмент необхідно відремонтувати перед використанням. Багато нещасних випадків спричиняють електроінструменти, які утримуються в неналежному технічному стані.
- Стежте, щоб різучі інструменти були гострі та чисті. Різучі інструменти, що утримуються в належному технічному стані та мають гострі різучі краї, з меншою вірогідністю будуть застрягати та ними буде легше керувати.
- Використовуйте електроінструмент, аксесуари, різці тощо відповідно до цих інструкцій, зважаючи на робочі умови та роботи, які виконуються. Використання електроінструмента не за призначенням може призвести до виникнення небезпечних ситуацій.

ВИКОРИСТАННЯ АКУМУЛЯТОРНОЇ БАТАРЕЇ ТА ДОГЛЯД ЗА НЕЮ

- Заряджайте акумуляторну батарею тільки зарядним пристроєм, який вказано виробником. Зарядний пристрій, що підходить для одного типу акумуляторних батарей, може зумовити ризик займання у разі використання з іншою акумуляторною батареєю.
- Використовуйте механічні інструменти тільки з акумуляторними батареями, спеціально призначеними для цього. Використання будь-яких інших акумуляторних батарей може призвести до виникнення ризику отримання тілесних ушкоджень або займання.
- Коли акумуляторна батарея не використовується, зберігайте її подалі від інших металевих предметів, таких як канцелярські скріпки, монети, ключі, цвяхи, шурупи та інші дрібні металеві предмети, які можуть спричинити замикання контактів батареї. Замикання контактів батареї може викликати займання.
- У неналежних умовах із батареї може витікати рідина, уникайте контакту з нею. У разі випадкового контакту промийте водою місце контакту. У випадку контакту рідини з очима зверніться по медичну допомогу. Рідина, що витікає з батареї, може спричинити подразнення або опіки.

ОБСЛУГОВУВАННЯ

Технічне обслуговування електроінструмента повинен проводити кваліфікований майстер із використанням тільки ідентичних запчастин. Це гарантуватиме безпеку електроінструмента.

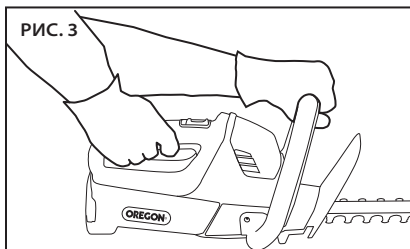
ПОПЕРЕДЖЕННЯ ЩОДО БЕЗПЕКИ ШПАЛЕРНИХ НОЖИЦЬ



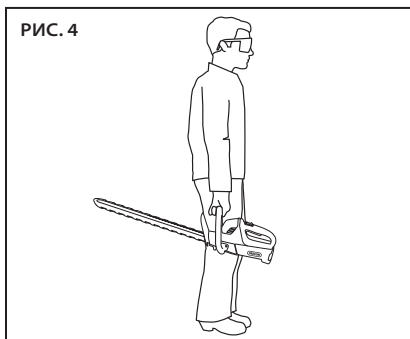
⚠ НЕБЕЗПЕКА: ТРИМАЙТЕ РУКИ ПОДАЛІ ВІД ЛЕЗА. КОНТАКТ ІЗ ЛЕЗОМ ПРИЗВЕДЕ ДО СЕРЙОЗНИХ ТРАВМ.

⚠ ПОПЕРЕДЖЕННЯ: ВИКОРИСТОВУЙТЕ ТІЛЬКИ РАЗОМ ІЗ РУЧКОЮ ТА ЗАХИСНИМ КОРПУСОМ, ЗМОНТОВАНИМИ НА ШПАЛЕРНИХ НОЖИЦЯХ. ВИКОРИСТАННЯ ШПАЛЕРНИХ НОЖИЦЬ БЕЗ НАЛЕЖНОЇ РУЧКИ ЧИ ЗАХИСНОГО КОРПУСУ МОЖЕ ПРИЗВЕСТИ ДО СЕРЬОЗНОЇ ТРАВМИ.

- Під час роботи тримайте шпалерні ножиці двома руками. Якщо тримати їх однією рукою, це може призвести до втрати контролю та серйозних травм (рис. 3).



- Дотримуйтеся достатньої відстані від ріжучого леза. Не витягайте зрізаний матеріал і не тримайте матеріал, який ви ріжете, коли леза рухаються. Переконайтеся, що перемикач вимкнутий, перш ніж очищувати застряглий матеріал. Після вимкнення леза рухаються за інерцією. Навіть короточасна втрата уваги під час роботи зі шпалерними ножицями може призвести до серйозної травми.
- Переносьте шпалерні ножиці за ручку з повністю зупиненим ріжучим лезом (рис. 4). Під час транспортування чи зберігання шпалерних ножиць завжди надягайте чохол на ріжучий пристрій. Належне поводження зі шпалерними ножицями знизить ймовірність отримання травм від лез.



- Тримайте електроінструмент тільки за ізольовані поверхні для захвату, оскільки леза можуть контактувати із прихованою електропроводкою. Леза, що контактують із фазою живлення, можуть підвести напругу до металевих деталей інструмента та уразити оператора електричним струмом.
- У шпалерних ножицях немає деталей, які може обслуговувати користувач. Роботи із заміни лез, технічного обслуговування та ремонту вимагають спеціальної підготовки. Контактну інформацію див. у розділі «Сервісне обслуговування та додаткова інформація».

ЗБЕРІГАННЯ, ТРАНСПОРТУВАННЯ ТА УТИЛІЗАЦІЯ

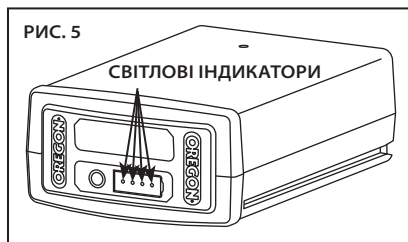
ЗБЕРІГАННЯ ШПАЛЕРНИХ НОЖИЦЬ

- Нанесіть мастило на леза. Детальну інформацію див. у розділі «Технічне обслуговування та очищення».
- Дістаньте акумуляторну батарею зі шпалерних ножиць.
- Ретельно очистьте шпалерні ножиці.
- Надягніть чохол на леза.
- Зберігайте в сухому місці.
- Зберігайте в місці, недоступному для дітей і домашніх тварин.

ЗБЕРІГАННЯ АКУМУЛЯТОРНОЇ БАТАРЕЇ

Якщо акумуляторна батарея зберігається більше дев'яти місяців, дотримуйтеся таких інструкцій:

- Вийміть акумуляторну батарею зі шпалерних ножиць або зарядного пристрою.
- Зберігайте у прохолодному, сухому місці.
- Зберігайте в місці, недоступному для дітей і домашніх тварин.
- Щоб продовжити термін дії батареї, ніколи не зберігайте акумуляторну батарею в повністю розрядженому стані. (Рис. 5).



- Зберігайте за температури від -20°C до 30°C (від -4°F до 86°F).



ЗБЕРІГАННЯ ЗАРЯДНОГО ПРИСТРОЮ

- Вийміть акумуляторну батарею із зарядного пристрою.
- Відключіть зарядний пристрій від джерела живлення.
- Зберігайте в сухому місці.
- Зберігайте в місці, недосяжному для дітей і домашніх тварин.

Детальну інформацію див. у розділі «Технічне обслуговування та очищення».

ТРАНСПОРТУВАННЯ ШПАЛЕРНИХ НОЖИЦЬ

Перед транспортуванням підготуйте шпалерні ножиці відповідно до інструкцій, наведених у розділі «Зберігання шпалерних ножиць».

ТРАНСПОРТУВАННЯ АКУМУЛЯТОРНОЇ БАТАРЕЇ

Дотримуйтеся відповідних державних норм при транспортуванні літій-іонних акумуляторних батарей, можливо, обов'язкове маркування.

УТИЛІЗАЦІЯ ШПАЛЕРНИХ НОЖИЦЬ І ЗАРЯДНОГО ПРИСТРОЮ

Продукція OREGON® спроектована та виготовлена з високоякісних матеріалів і компонентів, які підлягають переробці і повторному використанню. Після завершення терміну експлуатації, а також відповідно до вимог Директиви 2002/95/EC, зарядний пристрій необхідно утилізувати окремо від побутових відходів. У Європейському союзі є окремі системи збору використаної електричної та електронної продукції. Утилізуйте це обладнання в місцевих центрах збору/переробки відповідно до вимог з охорони довкілля.

УТИЛІЗАЦІЯ АКУМУЛЯТОРНОЇ БАТАРЕЇ

Не викидайте акумуляторну батарею у звичайне побутове сміття. Не спалюйте. Місцеві центри зі збору та переробки відходів мають інформацію про належну утилізацію або переробку відповідно до норм з охорони довкілля.



БЕЗПЕКА АКУМУЛЯТОРНОЇ БАТАРЕЇ

⚠ НЕБЕЗПЕКА: ПОРУШЕННЯ ЦИХ ПРАВИЛ БЕЗПЕКИ МОЖЕ ПРИЗВЕСТИ ДО ВИТІКАННЯ З АКУМУЛЯТОРНОЇ БАТАРЕЇ НЕБЕЗПЕЧНИХ ХІМІЧНИХ РЕЧОВИН, ПЕРЕГРІВАННЯ, ВИДІЛЕННЯ ДИМУ, ПРОРИВАННЯ, ЗАЙМАННЯ, ВИБУХУ ТА/АБО ЗАГОРЯННЯ.

⚠ УВАГА: НЕ ВИКИДАЙТЕ АКУМУЛЯТОРНУ БАТАРЕЮ В ПОБУТОВЕ СМІТТЯ ТА НЕ СПАЛЮЙТЕ. ЛІТІЙ-ІОННІ ЛІТІЙ-ІОННІ АКУМУЛЯТОРНІ БАТАРЕЇ ПОВИННІ УТИЛІЗОВУВАТИСЯ МІСЦЕВИМИ АВТОРИЗОВАНИМИ ОРГАНАМИ З УТИЛІЗАЦІЇ.

⚠ УВАГА: НЕ ПІДДАВАЙТЕ АКУМУЛЯТОРНУ БАТАРЕЮ ДІЇ НАДМІРНОГО ТЕПЛА, НАПРИКЛАД, НЕ ЗАЛИШАЙТЕ ЇЇ ВСЕРЕДИНІ АВТОМОБІЛЯ У СПЕКУ. ЦЕ МОЖЕ ПРИЗВЕСТИ ДО ПОГАНОЇ РОБОТИ ТА/АБО СКОРОЧЕННЯ ТЕРМІНУ ДІЇ. НЕ НАМАГАЙТЕСЯ ПЕРЕЗАРЯДЖАТИ АКУМУЛЯТОРНУ БАТАРЕЮ, ЩО НЕ ПРИЗНАЧЕНА ДЛЯ ПОВТОРНОГО ЗАРЯДЖАННЯ.

- Не розбирайте та не модифікуйте акумуляторну батарею. Це може знизити рівень безпеки.
- Не з'єднуйте позитивний (+) і негативний (-) контакти металевими предметами та не зберігайте акумуляторну батарею разом із металевими предметами, такими як монети чи шурупи. Це може призвести до замикання контактів і спровокувати виділення кількості тепла, достатньої для отримання опіків.
- Не підпалюйте акумуляторну батарею та не піддавайте її дії надмірного тепла. Це може призвести до плавлення ізоляції або зниження рівня безпеки.

- Не використовуйте, не заряджайте та не зберігайте поблизу джерела тепла з температурою вище 80 °C (176 °F). Це може призвести до перегрівання та внутрішнього замикання.
- Не залишайте в надмірно вологих середовищах. Це може призвести до зниження рівня безпеки, викликати надмірно високу силу струму та напругу, активувати аномальні хімічні реакції.
- Використовуйте тільки зарядний пристрій, спеціально призначений для акумуляторної батареї, і дотримуйтеся всіх правил безпеки, описаних у розділі «Безпека зарядного пристрою». Використання іншого зарядного пристрою може призвести до зниження рівня безпеки, викликати надмірно високу силу струму та напругу, активувати аномальні хімічні реакції.
- Не використовуйте акумуляторні батареї марки OREGON® для живлення інструментів, випущених під марками, відмінними від OREGON®.
- Не вдаряйте, не проколюйте та не кидайте акумуляторну батарею, а також не використовуйте пошкоджену чи деформовану акумуляторну батарею.
- Не намагайтеся заряджати акумуляторну батарею, якщо вона не заряджається. Якщо акумуляторна батарея випускає запах, генерує тепло або знебарвлена, деформована чи виглядає ненормально під час використання, заряджання чи зберігання, негайно видаліть її зі шпалерних ножиць чи зарядного пристрою.
- Будь-яка рідина, що витікає з батареї є агресивною, вона може пошкодити очі або шкіру, а при ковтанні викликати отруєння.

БЕЗПЕКА ЗАРЯДНОГО ПРИСТРОЮ

ВАЖЛИВІ ІНСТРУКЦІЇ ЩОДО БЕЗПЕКИ

⚠ УВАГА: ЦЕЙ ПРИСТРІЙ НЕ ПРИЗНАЧЕНИЙ ДЛЯ ВИКОРИСТАННЯ ОСОБАМИ (ЗОКРЕМА ДІТЬМИ) ЗІ ЗНИЖЕНИМИ ФІЗИЧНИМИ, СЕНСОРНИМИ АБО РОЗУМОВИМИ ЗДІБНОСТЯМИ, АБО ІЗ БРАКОМ ЗНАТЬ, БЕЗ НАГЛЯДУ ЧИ ОТРИМАННЯ ІНСТРУКЦІЙ ВІД ОСОБИ, ВІДПОВІДАЛЬНОЇ ЗА ЇХНЮ БЕЗПЕКУ. НЕОБХІДНО СЛІДКУВАТИ ЗА ТИМ, ЩОБ ДІТИ НЕ БАВИЛИСЯ ПРИСТРОЄМ.

⚠ ПОПЕРЕДЖЕННЯ: РИЗИК УРАЖЕННЯ ЕЛЕКТРИЧНИМ СТРУМОМ. ВИКОРИСТОВУЮЧИ НА ВУЛИЦІ, ПІДКЛЮЧАЙТЕ ТІЛЬКИ ДО ЗАХИЩЕНОЇ СИСТЕМОЮ ВКЗЗ РОЗЕТКИ КЛАСУ А, ЩО ВСТАНОВЛЕНА ПІД НАКРИТТЯМ, ТОБТО ДО ПОГОДОСТІЙКОЇ РОЗЕТКИ ІЗ БЛОКОМ ЖИВЛЕННЯ, ПІДКЛЮЧЕНИМ ДО РОЗЕТКИ. ЯКЩО ТАКОЇ РОЗЕТКИ НЕМАЄ, ЗВЕРНІТЬСЯ ДО КВАЛІФІКОВАНОГО ЕЛЕКТРИКА, ЯКИЙ ЗАБЕЗПЕЧИТЬ НАЛЕЖНУ УСТАНОВКУ. ПЕРЕКОНАЙТЕСЯ, ЩО БЛОК ЖИВЛЕННЯ ТА КАБЕЛЬ ЖИВЛЕННЯ НЕ ЗАВАЖАЮТЬ ПОВНОМУ ЗАКРИТТЮ КРИШКИ РОЗЕТКИ.

⚠ УВАГА: ВИКОРИСТОВУЙТЕ ЦЕЙ ЗАРЯДНИЙ ПРИСТРІЙ ТІЛЬКИ З КАБЕЛЕМ ЖИВЛЕННЯ, ЩО ПОСТАЧАЄТЬСЯ РАЗОМ ІЗ НИМ. ПЕРЕКОНАЙТЕСЯ, ЩО ШТЕПСЕЛЬ ДОБРЕ ПІДХОДИТЬ ДО РОЗЕТКИ.

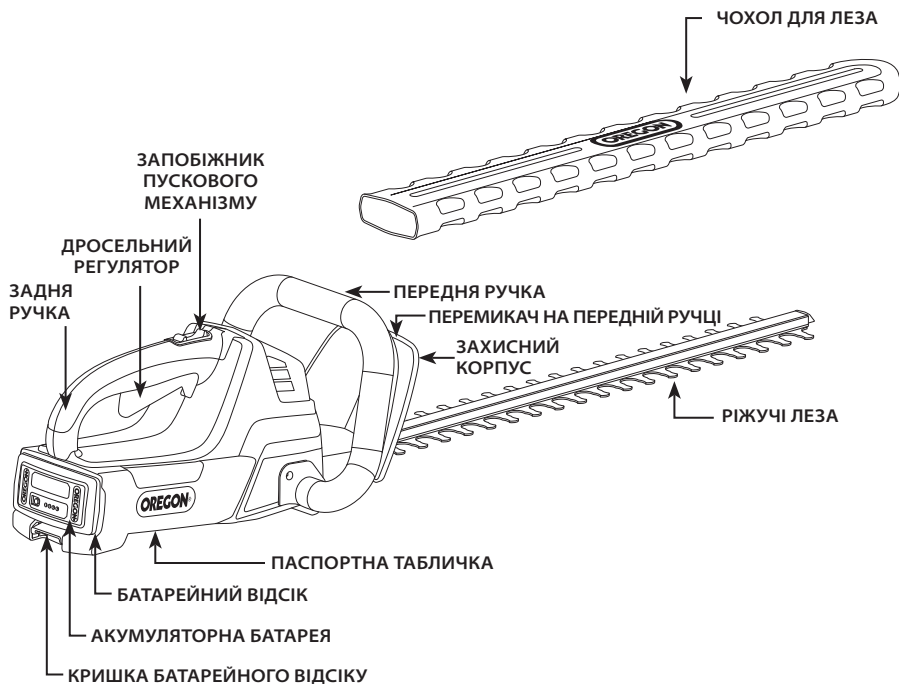
Використовуючи електричні прилади, слід завжди дотримуватися основних заходів безпеки, серед яких такі:

- Прочитайте всі інструкції щодо безпеки перед використанням і дотримуйтеся їх. *Прочитайте всі інструкції, розміщені на інструменті або наведені в документації, що постачається разом із ним, і дотримуйтеся їх.*
- Збережіть ці інструкції.
- Не використовуйте подовжувач.
- Використовуйте кабель живлення лише за призначенням. Ніколи не використовуйте кабель живлення для перенесення, підтягування або відключення електроінструмента від мережі живлення. Стежте за тим, щоб кабель живлення не торкався гарячих поверхонь, жирів, гострих країв або рухомих деталей. *Використання пошкоджених або заплутаних кабелів живлення підвищує ризик ураження електричним струмом.*
- Не залишайте зарядний пристрій під дощем. *Тільки для використання у приміщенні.*
- Не використовуйте на відстані менше ніж 3 м (10 футів) від басейну.
- Не використовуйте у ванній кімнаті.

ІДЕНТИФІКАЦІЯ ПРОДУКТУ

ОПИС ШПАЛЕРНИХ НОЖИЦЬ

ПРИМІТКА: перелік предметів, що входять у комплект, див. у розділі «Розпакування».



ПРИМІТКА: ПЕРЕЛІК ПРЕДМЕТІВ, ЩО ВХОДЯТЬ У КОМПЛЕКТ, ДИВ. У РОЗДІЛІ «РОЗПАКУВАННЯ».

СПЕЦИФІКАЦІЇ ТА КОМПОНЕНТИ

ЗАПЧАСТИНИ	ПОЗИЦІЯ
АКУМУЛЯТОРНА БАТАРЕЯ, МОДЕЛЬ В400Е	548206
ЗАРЯДНИЙ ПРИСТРІЙ ІЗ КАБЕЛЕМ ЖИВЛЕННЯ, МОДЕЛЬ С600	EU - 554933 UK - 554872 AU/NZ - 560663
ЗАРЯДНИЙ ПРИСТРІЙ ІЗ КАБЕЛЕМ ЖИВЛЕННЯ, МОДЕЛЬ С750	EU - 558697 UK - 558698 AU/NZ - 558699
ЗАРЯДНИЙ ПРИСТРІЙ, МОДЕЛЬ С600	
ЖИВЛЕННЯ	100–240 В~ 50–60 ГЦ 60 Вт
ПОТУЖНІСТЬ	41,5 В _а 1,25 А
КАБЕЛЬ ЖИВЛЕННЯ	EU - 547383 UK - 547384 AU/NZ - 559380
АКУМУЛЯТОРНА БАТАРЕЯ, МОДЕЛЬ В400Е	
ВАГА	1,23 кг (2,72 фунти)
ТИП	ЛІТІЙ-ІОННА
НАПРУГА, НОМІНАЛЬНА	+37 В ПОСТІЙНОГО СТРУМУ
РОБОЧА ТЕМПЕРАТУРА	0...40 °С (32...104 °F).
ЄМНІСТЬ, НОМІНАЛЬНА	2,4 А·год / 89 Вт·год
ЧАС ЗАРЯДЖАННЯ (ПРИБЛИЗНИЙ)	120 ХВИЛИН
ШПАЛЕРНІ НОЖИЦІ	
ДОВЖИНА ЛЕЗА	600 мм (24 дюйми)
ТИП ЛЕЗА	ПОДВІЙНЕ ЗВОРОТНО-ПОСТУПАЛЬНЕ
МАКСИМАЛЬНА ШВИДКІСТЬ ЗРІЗАННЯ ЛЕЗОМ	2750 УДАРІВ ЗА ХВИЛИНУ
МАКСИМАЛЬНИЙ ДІАМЕТР МАТЕРІАЛУ, ЩО ЗРІЗАЄТЬСЯ	ДО 19 мм (3/4 дюйма)
МАСА З В400Е	4,4 кг (9,8 фунтів)
РІВЕНЬ ПОТУЖНОСТІ ЗВУКУ	74 дБ L _{WA} (К, 0,18 дБ)
ВІБРАЦІЯ	1,16 м/с ² (К, 0,26 м/с ²)

ПОНЯТТЯ ТА ТЕРМІНИ ДЛЯ ШПАЛЕРНИХ НОЖИЦЬ

Застригання леза: стан, за якого леза не можуть рухатися, оскільки між рухомими та нерухомими частинами лез є матеріал.

Зона безпеки для сторонніх спостерігачів: ділянка радіусом у 3 м (10 футів) навколо оператора, яка має залишатися вільною від спостерігачів, дітей і домашніх тварин.

Ріжучі леза: низка загострених поверхонь, що виступають із передньої частини шпалерних ножиць, і рухаються вперед і назад для обрізання живоплоту.

Сезон для обрізання: ідеальний час для обрізання різниться залежно від типу рослини, але загалом прийнято обрізати рослини в період повільного росту, після закінчення цвітіння. Проконсультуйтеся з місцевою службою з догляду за рослинами, яка надасть Вам інформацію про обрізання тих чи інших рослин.

Швидкість обрізання: шпалерні ножиці мають змінну швидкість зрізання. Для збільшення швидкості натисніть дросельний регулятор сильніше. Щоб забезпечити максимальний час обрізання від кожного заряду, використовуйте мінімальну необхідну швидкість.

Передня ручка: опорна ручка, розташована на передній частині шпалерних ножиць або коло неї.

Перемикач на передній ручці: U-подібний перемикач, розташований уздовж передньої ручки, що запобігає ненавмисному ввімкненню дросельного регулятора до моменту його ввімкнення вручну.

Захисний корпус: структурна перегородка між передньою ручкою шпалерних ножиць і ріжучими лезами.

Памолодь: наймолодші пагони рослини. Зазвичай вони світлішого кольору, менш м'ясисті та гнучкіші, ніж решта рослини.

Задня ручка: опорна ручка, розташована на задній частині шпалерних ножиць або ближче до неї, де розташований дросельний регулятор.

Дросельний регулятор: прилад, що контролює швидкість руху ріжучих лез.

Запобіжник пускового механізму: рухомий упор, що запобігає ненавмисному ввімкненню шпалерних ножиць до того часу, коли їх буде ввімкнено вручну.

ЕКСПЛУАТАЦІЯ ШПАЛЕРНИХ НОЖИЦЬ

РОЗПАКУВАННЯ

ЩО МІСТИТЬСЯ В УПАКОВЦІ?

Шпалерні ножиці постачаються повністю зібрані. Елементи, що постачаються разом зі шпалерними ножицями:

- Шпалерні ножиці
- Чохол для леза
- Інструкція з експлуатації
- Зарядний пристрій і кабель живлення (якщо входить до комплекту)
- Акумуляторна батарея (якщо входить до комплекту)

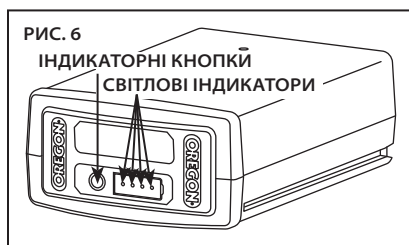
Після розпакування уважно перевірте, чи шпалерні ножиці не пошкоджено під час транспортування та чи є всі деталі. Якщо будь-які деталі пошкоджені чи їх немає, не використовуйте шпалерні ножиці. Щоб отримати запчастини, зверніться до OREGON® Cordless Tool System. Номери телефонів по країнах див. у розділі «Технічне обслуговування по країнах».

АКУМУЛЯТОРНА БАТАРЕЯ ТА ЗАРЯДНИЙ ПРИСТРІЙ

⚠ ПОПЕРЕДЖЕННЯ: НЕ ЗАМІНЮЙТЕ АКУМУЛЯТОРНУ БАТАРЕЮ ПІД ДОЩЕМ.

СВІТЛОДІЮДНИЙ ІНДИКАТОР СТАНУ ЗАРЯДУ АКУМУЛЯТОРНОЇ БАТАРЕЇ

Літій-іонна акумуляторна батарея оснащена світлодіодним індикатором стану заряду. Для перевірки рівня заряду акумуляторної батареї натисніть кнопку індикатора на передній панелі акумуляторної батареї (рис. 6).



Індикатори не світяться: перезарядіть.

Один зелений індикатор постійно світиться: заряджено менше ніж на 25%. Зарядіть акумуляторну батарею перед використанням.

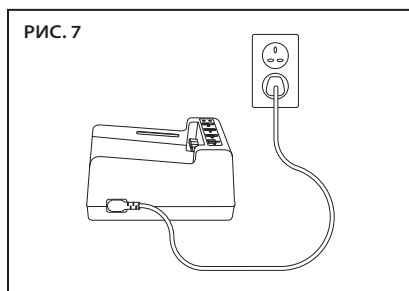
Два зелених індикатори постійно світяться: заряджено на 26–50%.

Три зелених індикатори постійно світяться: заряджено на 51–75%.

Чотири зелених індикатори постійно світяться: заряджено на 76–100%.

ПІД'ЄДНАННЯ ЗАРЯДНОГО ПРИСТРОЮ

Під'єднайте кабель живлення до зарядного пристрою та до відповідної електричної розетки (рис. 7).



Використовуйте тільки той кабель живлення, який постачався разом із зарядним пристроєм. Перед першим використанням перевірте, чи відповідає тип штепселя роз'єму розетки.

СВІТЛОДІОДНИЙ ІНДИКАТОР СТАНУ ЗАРЯДЖЕННЯ ЗАРЯДНОГО ПРИСТРОЮ

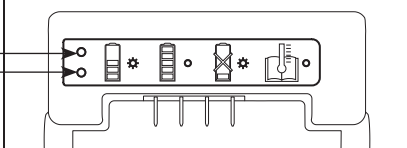
Зарядний пристрій оснащено світлодіодним індикатором стану зарядження, який вказує на стан зарядження, а також умови, що можуть затримати або перешкодити зарядженню (рис. 8).

Примітка: до встановлення акумуляторної батареї індикатори не світлитимуться.

Оранжевий індикатор блимає: є несправність. Існує декілька потенційних причин. Див. розділ «Усунення несправностей» у цій інструкції.

Оранжевий індикатор світиться постійно: температура акумуляторної батареї виходить за межі допустимого діапазону (від 0°C/32°F до 40 °C/104°F). Доведіть акумуляторну батарею до температури, що відповідає допустимому діапазону, перед тим, як заряджати її. Акумуляторна батарея може залишатися в зарядному пристрої до досягнення відповідної температури. Зарядження почнеться після досягнення батареєю прийнятної температури.

РИС. 8



Зелений індикатор блимає: акумуляторна батарея заряджається.

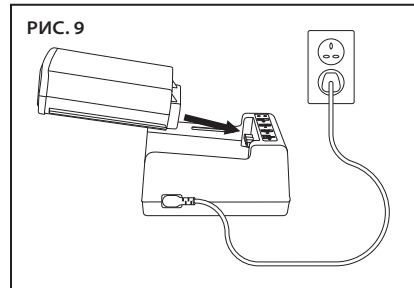
Зелений індикатор постійно світиться: акумуляторна батарея ГОТОВА ДО ВИКОРИСТАННЯ.

ЗАРЯДЖАННЯ АКУМУЛЯТОРНОЇ БАТАРЕЇ

⚠ ПОПЕРЕДЖЕННЯ: НЕДОТРИМАННЯ НАЛЕЖНОЇ ПРОЦЕДУРИ ЗАРЯДЖАННЯ МОЖЕ ПРИЗВЕСТИ ДО ПЕРЕНАПРУГИ, НАДМІРНОЇ СИЛИ СТРУМУ, ВТРАТИ КОНТРОЛЮ ПІД ЧАС ЗАРЯДЖЕННЯ, ВИТІКАННЯ НЕБЕЗПЕЧНИХ ХІМІЧНИХ РЕЧОВИН, ВИДІЛЕННЯ ТЕПЛА, ВИБУХУ АБО ЗАГОРЯННЯ.

Під'єднавши кабель живлення до електричної розетки та зарядного пристрою, вирівняйте виїмки на батареї з напрямними на зарядному пристрої та вставте акумуляторну батарею в зарядний пристрій до повної фіксації (рис. 9).

РИС. 9

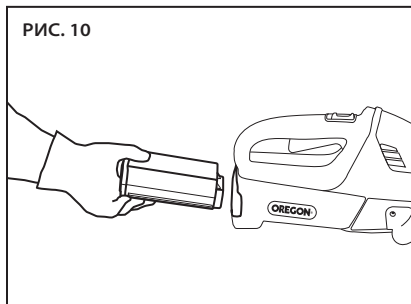


Перевірте індикатор стану зарядження на відповідність умов зарядження.

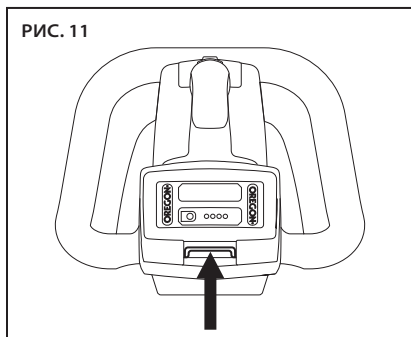
УСТАНОВЛЕННЯ ТА ВИДАЛЕННЯ АКУМУЛЯТОРНОЇ БАТАРЕЇ

Використовуйте тільки акумуляторні батареї марки OREGON®, вказані в цій інструкції з експлуатації.

Зрівняйте виїмки батареї з напрямними батарейного відсіку зарядного пристрою. Щільно вставте акумуляторну батарею в батарейний відсік шпалерних ножниць, натискаючи вперед до клацання та блокування її на своєму місці (рис. 10).



Для видалення акумуляторної батареї зніміть кришку та витягніть батарею (рис. 11).



ЗАГАЛЬНІ ІНСТРУКЦІЇ ЩОДО ЕКСПЛУАТАЦІЇ



⚠ ПОПЕРЕДЖЕННЯ: ЗАВЖДИ НАДЯГАЙТЕ ВІДПОВІДНІ ЗАХИСНІ РУКАВИЦІ ТА ЗАХИСНІ ОКУЛЯРИ.

РОБОЧА ТЕМПЕРАТУРА

Шпалерні ножниці призначені для роботи в температурному діапазоні від 0 °C до 40 °C (від 32 °F до 104 °F).

ТРИМАННЯ

Завжди тримайте інструмент двома руками. Для роботи правою рукою розташуйте шпалерні ножниці на твердій пласкій поверхні, візьміться лівою рукою за передню ручку, а правою – за задню. Обхопіть пальцями верхню частину передньої ручки, при чому великий палець слід розташувати під ручкою (рис. 12).



Для роботи лівою рукою візьміться за передню ручку правою рукою, а лівою – за задню (рис. 13).



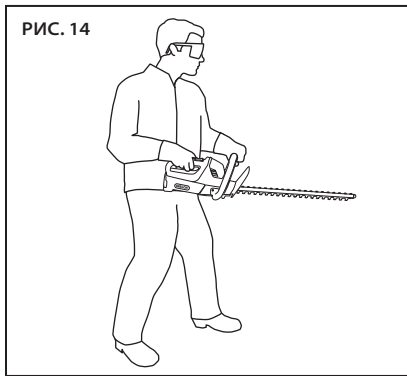
ПОЛОЖЕННЯ ТІЛА

Стійте обома ногами на твердій землі, вагу рівномірно розподіляйте між двома ногами.

Не тягніться та не стійте на драбині, підставці чи в будь-якому іншому піднятому положенні, яке не гарантує цілковитої безпеки.



Для того, щоб зберігати контроль, тримайте шпалерні ножиці якомога ближче до тіла (рис. 14).



ЗУПИНКА ШПАЛЕРНИХ НОЖИЦЬ

Щоб зупинити шпалерні ножиці, відпустіть дросельний регулятор.

ЗАПУСК ШПАЛЕРНИХ НОЖИЦЬ

Міцно візьміться за передню та задню ручки. Потягніть назад запобіжник пускового механізму (1) великим пальцем (рис. 15). Натискайте на дросельний регулятор (2) до досягнення необхідної швидкості ріжучих лез. Перемикач на передній ручці (3) – елемент системи безпеки; шпалерні ножиці не запускаються, доки не активувати.



КОНТРОЛЮВАННЯ ШВИДКОСТІ РІЖУЧОГО ЛЕЗА

За допомогою дросельного регулятора встановлюється швидкість руху ріжучих лез. Щоб збільшити швидкість обрізання, натисніть дросельний регулятор сильніше.

Застосовуйте найнижчий тиск, необхідний для зрізання матеріалу. Це допоможе збільшити час зрізання при одному заряді батареї та знизити кількість заряджвань.

ОБРИЗАННЯ ЖИВОПЛОТУ

КОЛИ СЛІД ОБРИЗАТИ

Ідеальний час для обрізання різниться залежно від типу рослини, але загалом прийнято обрізати рослини в період повільного росту, після закінчення цвітіння. Проконсультуйтеся з місцевою службою з догляду за рослинами, яка надасть вам інформацію про обрізання тих чи інших рослин.

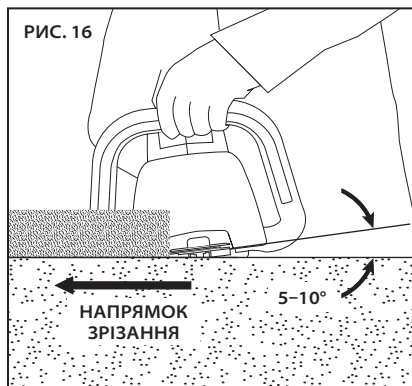
Підрізаючи живопліт, дотримуйтеся всіх діючих державних і муніципальних правил та норм.

БАЗОВЕ ОБРИЗАННЯ

▲ ПОПЕРЕДЖЕННЯ: ПІД ЧАС РОБОТИ ДВИГУНА ЗАВЖДИ УТРИМУЙТЕ НАДІЙНЕ СТІЙКЕ ПОЛОЖЕННЯ ТА МІЦНО ТРИМАЙТЕ ШПАЛЕРНІ НОЖИЦІ ОБОМА РУКАМИ.

Перед обрізанням перевірте живопліт на наявність сторонніх предметів, щоб уникнути пошкодження лез. Усуньте будь-які предмети, які можуть завадити обрізанню.

Прийміть відповідне положення тіла та захвату, після чого запустіть шпалерні ножиці. Тримайте леза шпалерних ножиць під кутом у 5–10° до напрямку зрізання (рис. 16).



ВАЖЛИВО: РІЗУЧІ ЛЕЗА ЧАС ВІД ЧАСУ БЛОКУЮТЬСЯ ТА ЗУПИНЯЮТЬСЯ, ЯКЩО В НИХ ЗАСТРЯЄ МАТЕРІАЛ АБО ЯКЩО ВОНИ КОНТАКТУЮТЬ ІЗ ДРОТОМ ЧИ СІТЧАСТИМ ПАРКАНОМ. ІНФОРМАЦІЮ ПРО ТЕ, ЯК ВИПРАВИТИ ТАКУ СИТУАЦІЮ, ДИВ. У РОЗДІЛІ «УСУВАННЯ ПРИЧИН БЛОКУВАННЯ ЛЕЗ».

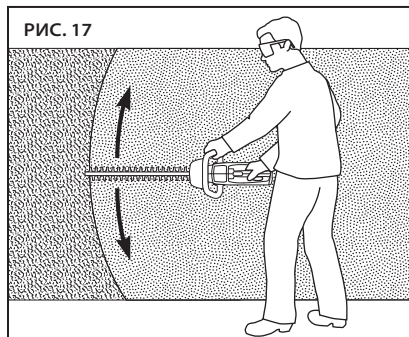
ПОСЛІДОВНІСТЬ ОБРИЗАННЯ

Якщо живопліт добре доглянутий, зрізайте пагони до досягнення бажаної форми огорожі.

Після видалення всіх великих гілок використовуйте шпалерні ножиці для обрізання бічних поверхонь живоплоту до бажаної довжини. Обріжте верхівку живоплоту в останню чергу після завершення роботи з бічними поверхнями.

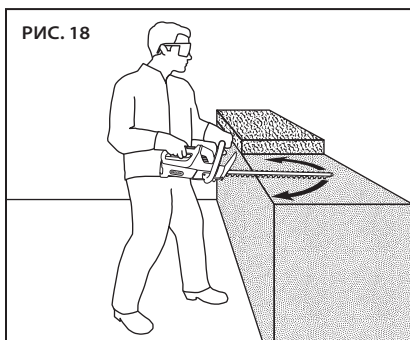
ВЕРТИКАЛЬНЕ ОБРИЗАННЯ

Обрізаючи бічні поверхні живоплоту, почніть із нижньої частини огорожі. Тримайте ріжучі леза шпалерних ножиць під кутом 5–10° до напрямку зрізання. Переміщайтеся вздовж лінії живоплоту, повільно рухаючи шпалерними ножицями вимітаючими рухами вгору і вниз у формі широкої дуги (рис. 17).



ГОРИЗОНТАЛЬНЕ ОБРІЗАННЯ

Обрізаючи верх живоплоту, почніть із найближчого краю. Тримайте ріжучі леза шпалерних ножиць під кутом 5–10° до напрямку зрізання. Переміщайтеся вздовж лінії живоплоту, повільно рухаючи шпалерними ножицями вимітаючими рухами вправо та вліво у формі широкої дуги (рис. 18).



Якщо верхівка живоплоту надто широка для обрізання одним рухом шпалерних ножиць, не перехиляйтеся через огорожу, щоб зрізати гілки, що залишилися. Замість цього пройдіть один раз уздовж живоплоту, після чого зріжте гілки, що залишилися, перейшовши на іншу сторону.

УСУВАННЯ ПРИЧИН БЛОКУВАННЯ ЛЕЗ

⚠ УВАГА: ЗАВЖДИ ВИДАЛЯЙТЕ АКУМУЛЯТОРНУ БАТАРЕЮ ПЕРЕД ПРОЧИЩЕННЯМ ЗАБЛОКОВАНИХ ЛЕЗ, ЩОБ УНИКНУТИ ВИПАДКОВОГО ВВИМКНЕННЯ РІЖУЧИХ ЛЕЗ.

⚠ УВАГА: РІЖУЧІ ЛЕЗА ГОСТРІ. ЗАВЖДИ НАДЯГАЙТЕ ЗАХИСНІ РУКАВИЦІ, ВИДАЛЯЮЧИ МАТЕРІАЛ ІЗ РІЖУЧИХ ЛЕЗ.

Іноді при зрізанні гнучких, молодих гілок, щіпки можуть накопичуватися між рухомими та нерухомими частинами ріжучих лез. У такому разі ріжучі леза можуть раптово припинити рухатися. Це також може трапитися, якщо ріжучі леза контактуватимуть із надто твердим матеріалом, який не вдасться розрізати, наприклад, із сітчастим парканом. Цей стан називається блокуванням лез.

Виконуйте ці інструкції для безпечного та ефективного усунення матеріалу.

- Надягніть захисні рукавиці.
- Дістаньте акумуляторну батарею зі шпалерних ножиць. Див. розділ «Як витягнути акумуляторну батарею».
- Усуньте матеріал, який заважає ріжучим лезам рухатися.

ТЕХНІЧНЕ ОБСЛУГОВУВАННЯ ТА ОЧИЩЕННЯ

ШПАЛЕРНІ НОЖИЦІ

⚠ ПОПЕРЕДЖЕННЯ: ОГЛЯНЬТЕ ШПАЛЕРНІ НОЖИЦІ. РЕГУЛЯРНІ ПЕРЕВІРКИ – ПЕРШИЙ КРОК ДО НАЛЕЖНОГО ТЕХНІЧНОГО ОБСЛУГОВУВАННЯ. ЩОБ ГАРАНТУВАТИ МАКСИМАЛЬНУ БЕЗПЕКУ ТА ПРОДУКТИВНІСТЬ, ВИКОНУЙТЕ ІНСТРУКЦІЇ, НАВЕДЕНІ НИЖЧЕ. НЕГАЙНО ЗАМІНЯЙТЕ ВСІ ПОШКОДЖЕНІ ЧИ НАДМІРНО ЗНОШЕНІ ДЕТАЛІ. НЕЗДАТНІСТЬ ІДЕНТИФІКУВАТИ ТА ЗАМІНИТИ ПОШКОДЖЕНІ ЧИ ЗНОШЕНІ ДЕТАЛІ МОЖЕ ПРИЗВЕСТИ ДО ОТРИМАННЯ СЕРЬОЗНИХ ТРАВМ.

⚠ ПОПЕРЕДЖЕННЯ: ПЕРЕД ПЕРЕВІРКОЮ, ОЧИЩЕННЯМ ЧИ РОБОТАМИ З ТЕХНІЧНОГО ОБСЛУГОВУВАННЯ ВИТЯГНІТЬ АКУМУЛЯТОРНУ БАТАРЕЮ ЗІ ШПАЛЕРНИХ НОЖИЦЬ. ІНСТРУМЕНТ, ЩО ПРАЦЮЄ ВІД АКУМУЛЯТОРНОЇ БАТАРЕЇ, ЗАВЖДИ ВВІМКНЕНИЙ, ЯКЩО БАТАРЕЯ ВСТАНОВЛЕНА В НЬОМУ, І МОЖЕ ЗАПУСТИТИСЯ ВИПАДКОВО.

⚠ УВАГА: НЕ ЗАНУРЮЙТЕ ШПАЛЕРНІ НОЖИЦІ У ВОДУ АБО ІНШІ РІДИНИ ПІД ЧАС ЇХ ОЧИЩЕННЯ.

ОЧИСТЬТЕ ШПАЛЕРНІ НОЖИЦІ

- Видаліть пил, листя та обрізки зі шпалерних ножиць.
- Очистіть вентиляційні отвори для забезпечення належної вентиляції та запобігання перегріванню.
- Протріть силову головку чистою тканиною, змоченою у воді з м'яким мийним засобом.
- Ніколи не використовуйте агресивні мийні засоби чи розчинники.

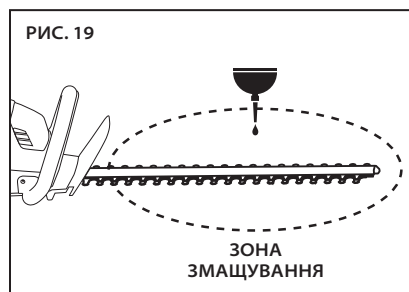
ОГЛЯНЬТЕ РІЖУЧІ ЛЕЗА

Переконайтеся, що ріжучі леза гострі, не мають засічок чи тупих країв, не провисають і не блокуються під час експлуатації шпалерних ножиць. Періодично зашліфуйте зазубрини та задирки, щоб ріжучі леза рухалися вільно. Гострі ріжучі леза, що рухаються вільно, зрізають гілки набагато легше, ніж тупі леза, що застрягають.

ДОГЛЯД ЗА ЛЕЗАМИ

Під час зрізання гілок, які виділяють густий сік, або під час роботи в запиленому середовищі накопичення соків і бруду іноді може спричинити залипання лез. Щоб уникнути залипання лез, очистьте їх, покривши мастилом на основі рідкого силікону тільки ділянки змащування ріжучих лез (рис. 19), і увімкніть леза на короткий час для рівномірного поширення мастила по лезу.

ВАЖЛИВО: НЕ ДОПУСКАЙТЕ ЗАТІКАННЯ МАСТИЛА ВСЕРЕДИНУ КОРПУСУ ШПАЛЕРНИХ НОЖИЦЬ. НІКОЛИ НЕ ВИКОРИСТОВУЙТЕ РОЗЧИННИКИ ДЛЯ ЖИРІВ ЧИ АЕРОЗОЛІ ДЛЯ ВИТІСНЕННЯ ВОДОЮ. НЕ ЗМАЩУЙТЕ НАДМІРНОЮ КІЛЬКІСТЮ МАСТИЛА



ОГЛЯНЬТЕ ЗАХИСНИЙ НАКОНЕЧНИК

Якщо захисний наконечник установлений, переконайтеся, що він не зігнутий і не зламаний. Зігнутий наконечник може утруднювати вільний рух ріжучих лез. Якщо захисний наконечник зігнутий або зламаний, замініть його в авторизованому сервісному центрі.

НАДІНЬТЕ ЧОХОЛ НА ЛЕЗА

Надіньте чохол для леза на ріжучі леза, щоб зберегти чистоту та уникнути подряпин чи порізів людей чи предметів.

ОГЛЯНЬТЕ РУЧКИ

Переконайтеся, що передня та задня ручки чисті, сухі та не мають тріщин чи інших пошкоджень. Якщо пошкоджена ручка зламається під час використання, це може призвести до серйозних травм.

ПЕРЕВІРТЕ БАТАРЕЙНИЙ ВІДСІК

Переконайтеся, що він чистий, сухий і не містить сміття. Сміття в батарейному відсіку може перешкодити належному електричному з'єднанню між акумуляторною батареєю та шпалерними ножицями.

АКУМУЛЯТОРНА БАТАРЕЯ

⚠ ПОПЕРЕДЖЕННЯ: УСЕРЕДИНИ АКУМУЛЯТОРНОЇ БАТАРЕЇ НЕМАЄ ДЕТАЛЕЙ, ЩО ОБСЛУГОВУЮТЬСЯ КОРИСТУВАЧЕМ. НЕ РОЗБИРАЙТЕ ЇЇ.

Літій-іонні батареї мають визначений термін експлуатації. Якщо час роботи пристрою на одному заряді суттєво знижується, термін експлуатації акумуляторної батареї добігає кінця, і її слід замінити.

- Переконайтеся, що акумуляторна батарея, зокрема контакти, чисті, сухі та не мають ознак проколювання, ударів чи інших пошкоджень. Поламани батареї можуть призвести до пожежі чи виділяти небезпечні хімічні речовини.
- Очистьте забруднені контакти м'якою сухою тканиною. Бруд чи масло можуть стати перешкодами для електричного з'єднання та призвести до втрати живлення.

ЗАРЯДНИЙ ПРИСТРІЙ

- Від'єднайте зарядний пристрій від електричної розетки.
- Очистьте забруднені контакти м'якою сухою тканиною.

УСУНЕННЯ НЕСПРАВНОСТЕЙ

Використовуйте цю таблицю для вирішення проблем, що можуть виникнути зі шпалерними ножицями. Якщо ці поради не допоможуть вирішити проблему, див. розділ «Сервісне обслуговування та додаткова інформація».

ОЗНАКА	ІМОВІРНА ПРИЧИНА	РЕКОМЕНДОВАНІ ДІЇ
Двигун не працює або працює переривчасто	Розряджена акумуляторна батарея	Зарядіть акумуляторну батарею. Див. розділ «Зарядження акумуляторної батареї».
	Перемикач передньої ручки або запобіжник пускового механізму не активовано	Візьміться за перемикач передньої ручки та потягніть назад запобіжник пускового механізму перед натисканням дросельного регулятора. Див. розділ «Запуск шпалерних ножиць».
	Акумуляторна батарея встановлена не до кінця	Вставте акумуляторну батарею в батарейний відсік, доки не почуєте клацання.
	Контакти батареї забруднені	Вийміть акумуляторну батарею, видаліть забруднення з батарейного відсіку, після чого очистьте контакти чистою сухою тканиною.
	Акумуляторна батарея холодна	Доведіть акумуляторну батарею до температури, що відповідає мінімальному значенню робочої температури, а саме 0 °C (32 °F).
Двигун працює, але ріжучі леза не рухаються	Предмет перешкоджає руху ріжучих лез	Див. розділ «Усування причин блокування лез».
Шпалерні ножиці не зрізають гілки належним чином	Накопичення смоли заважає руху ріжучих лез	Див. розділ «Догляд за лезами».
	Ріжучі леза тупі	Зверніться до спеціаліста, щоб загострити ріжучі леза.
Акумуляторна батарея не заряджається	Активована система захисту акумуляторної батареї від надмірно високих/низьких температур	Це може трапитися, якщо шпалерні ножиці експлуатуються безперервно або перебувають в умовах високих температур. Доведіть акумуляторну батарею до температури, що відповідає допустимому діапазону, перед тим, як заряджати її. Див. розділ «Зарядження акумуляторної батареї».
	Забруднені або пошкоджені контакти акумуляторної батареї чи зарядного пристрою	Перевірте контакти акумуляторної батареї та зарядного пристрою. Очистьте відповідно до інструкцій розділу «Технічне обслуговування та очищення», після чого повторно вставте в зарядний пристрій і переконайтеся, що вона повністю встановлена.
	Термін експлуатації акумуляторної батареї добігає кінця.	Усі акумуляторні батареї мають обмежений термін експлуатації. Якщо акумуляторна батарея використовується понад два роки або якщо вона часто заряджалася, можливо, настав час її замінити. Замініть акумуляторну батарею тільки батареями, призначеними для цих шпалерних ножиць.
	Зарядний пристрій несправний	Слід перевірити функціонування в авторизованому сервісному центрі.

ОЗНАКА	ІМОВІРНА ПРИЧИНА	РЕКОМЕНДОВАНІ ДІЇ
Короткий час роботи на одному заряді	Ріжучі леза тупі	Зверніться до спеціаліста, щоб загострити ріжучі леза.
	Ріжуче лезо зношене	Зверніться в авторизований сервісний центр, щоб замінити ріжучі леза.
	Ріжуче лезо зігнуте	Зверніться в авторизований сервісний центр, щоб замінити ріжучі леза.
	Неправильна техніка зрізання	Виконуйте інструкції, наведені в розділі «Базове обрізання».
	Вища швидкість обрізання, ніж необхідно	Менше тисніть на дросельний регулятор.
	Накопичення смоли заважає руху ріжучих лез	Див. розділ «Догляд за лезами».
	Акумуляторна батарея заряджена не повністю	Див. розділ «Зарядження акумуляторної батареї».
Оранжевий індикатор стану заряду блимає	Замикання контактів зарядного пристрою, надмірна сила струму в зарядному пристрої, напруга виходить за допустимі межі, розімкнутий контур акумуляторної батареї або помилка часу зарядження/ попереднього зарядження	<ol style="list-style-type: none"> 1. Переконайтеся, що кабель живлення зарядного пристрою під'єднаний до зарядного пристрою і до електричної розетки. 2. Переконайтеся, що на зарядний пристрій подається відповідна напруга. 3. Спробуйте зарядити іншу акумуляторну батарею, призначену для цього зарядного пристрою. <p>Якщо це не вирішило проблему, слід перевірити функціонування в авторизованому сервісному центрі.</p>

ГАРАНТІЯ ТА СЕРВІСНЕ ОБСЛУГОВУВАННЯ

ГАРАНТІЯ

Компанія Blount, Inc. надає гарантію на всі акумуляторні інструменти, акумуляторні батареї та зарядні пристрої, зареєстровані під торговою маркою OREGON®, на термін два (2) роки, починаючи з первинної дати придбання, і на термін один (1) рік при використанні в комерційних цілях. Ця обмежена гарантія застосовується до продуктів, OREGON® Cordless Tool System. Протягом гарантійного періоду компанія Blount на власний розсуд замінить або відремонтує безкоштовно тільки для оригінального покупця будь-яку продукцію або деталь, яка після перевірки компанією Blount буде визнана як така, що має дефект матеріалу та/або виробництва. Покупець покриває всі транспортні витрати та будь-які витрати, пов'язані з отриманням будь-якої деталі, наданої для заміни в межах цієї гарантії.

ЗБЕРІГАЙТЕ ОРИГІНАЛЬНИЙ ЧЕК

Докладіть оригінальний чек, отриманий під час первинної покупки, до цієї інструкції та документів. Для гарантійного обслуговування принесіть пристрій разом із чеком до дилера, в якого був куплений пристрій. Або зв'яжіться з нами, контактні дані див. у розділі «Технічне обслуговування по країнах».

СЕРВІСНЕ ОБСЛУГОВУВАННЯ ТА ДОДАТКОВА ІНФОРМАЦІЯ

Відвідайте наш веб-сайт **OregonCordless.com**, на якому ви знайдете інформацію про сервісні центри, або зверніться до нашого відділу сервісного обслуговування по допомогу, додаткову технічну інформацію, з приводу ремонту чи заміни деталей. Номери телефонів по країнах див. у розділі «Технічне обслуговування по країнах».

З міркувань безпеки використовуйте тільки оригінальні фабричні запчастини. У нашому сервісному центрі працює кваліфікований персонал, який ефективно надає додаткову інформацію про налаштування, ремонт чи заміну всіх продуктів OREGON® Cordless Tool System.

ЕС - ДЕКЛАРАЦІЯ ПРО ВІДПОВІДНІСТЬ

Компанія Blount International Inc. 4909 SE International Way, Portland Oregon, 97222 USA (США)

ЗАЯВЛЯЄ, ЩО ТАКІ ПРОДУКТИ:

Шпалерні ножиці, що працюють від
акумуляторної батареї, модель:

HT255

Зарядний пристрій для акумуляторної батареї C600


ВІДПОВІДАЮТЬ ВИМОГАМ ТАКИХ ЄВРОПЕЙСЬКИХ ДИРЕКТИВ І СТАНДАРТИВ:

ДИРЕКТИВИ ЄС:

ДИРЕКТИВА ЩОДО МАШИННОГО ОБЛАДНАННЯ 2006/42/ЄС

КОРПОРАТИВНИЙ ПРЕДСТАВНИК:

**КОНТАКТНА ОСОБА У СПРАВАХ ТЕХНІЧНОЇ
ІНФОРМАЦІЇ В ЄВРОПІ:**



Кевін Сайрус (Kevin Cyrus)
Менеджер, відділ відповідності продукції
& нормам безпеки
Blount International Inc.
Portland OR 97222 USA (США)

П. Марнікс Кайперс (Marnix Kuypers)
Blount International-Europe-S. A.
Rue Emile Francqui, 5
B 1435 Mont-Saint-Guibert
Belgium (Бельгія)

ДАТА/МІСЦЕ:

10 липня 2012 року, Портленд, штат Орегон

CUSTOMER SERVICE BY COUNTRY

COUNTRY	PHONE	EMAIL ADDRESS
France	0-800 913086	Info.FR@OregonCordless.com
Germany	0800-180-2167	Info.DE@OregonCordless.com
UK	0-800-098-8536	Info.UK@OregonCordless.com
Sweden	020-100230	Info.SE@OregonCordless.com
Australia	1800 648 647	Info.AU@OregonCordless.com
New Zealand	0508-056868	Info.AU@OregonCordless.com
All other countries	+32 10 30 11 11	Info.EU@OregonCordless.com

Imported by

OREGON® Cordless Tool System | Blount Europe SA
Rue Emile Francqui, 5
B 1435 Mont-Saint-Guibert, Belgium
+32 10 30 11 11



BLOUNT
INTERNATIONAL

BLOUNT EUROPE SA/NV
Rue Emile Francqui, 5
B 1435 Mont-Saint-Guibert, Belgium
📞 + 32 10 30 11 11



OregonCordless.com



OREGON® is a registered trademark of Blount, Inc. All other marks are property of their respective owners

BLOUNT EUROPE SA/NV - ALL RIGHTS RESERVED - 2013 - PRINTED IN EU - AD401-018